



US00D483070S

(12) **United States Design Patent**
Gaska et al.

(10) **Patent No.:** **US D483,070 S**

(45) **Date of Patent:** **** Dec. 2, 2003**

(54) **SIDE OF FILE BIN**

(75) Inventors: **Gilius A. Gaska**, Madison, WI (US);
Erin M. Napolitano, Chicago, IL (US);
Jimmy-Quang Viet Doan, Chicago, IL (US)

(73) Assignee: **Berol Corporation**, Freeport, IL (US)

(**) Term: **14 Years**

(21) Appl. No.: **29/178,262**

(22) Filed: **Mar. 24, 2003**

Related U.S. Application Data

(62) Division of application No. 29/150,958, filed on Nov. 15, 2001.

(51) **LOC (7) Cl.** **19-02**

(52) **U.S. Cl.** **D19/90; D19/99; D19/75**

(58) **Field of Search** D3/201; D19/65, D19/75, 76, 78, 86, 90, 91, 99, 100; 206/387, 425, 444, 449, 504, 555, 507, 557; 211/10, 11, 13.1; 312/183, 184; D21/478, 480

(56) **References Cited**

U.S. PATENT DOCUMENTS

D77,988 S * 3/1929 Shotwell D19/76
3,393,827 A * 7/1968 Asenbauer 206/504
D217,778 S * 6/1970 Herstam D21/480
D310,107 S * 8/1990 Murphy et al. D19/90
D316,114 S * 4/1991 Hwang D19/90
D351,621 S * 10/1994 Terzian D19/90

D400,926 S * 11/1998 Stravitz D19/90
D402,315 S * 12/1998 Kurata D19/90
D425,129 S * 5/2000 Koehneke et al. D19/99
D429,775 S * 8/2000 Adelman D21/478
6,170,677 B1 * 1/2001 Meltser 211/55
D454,371 S * 3/2002 Goodman et al. D19/92
D454,914 S * 3/2002 Gaska et al. D19/99
D457,199 S * 5/2002 Adelman D21/478

* cited by examiner

Primary Examiner—Martie K. Holtje

(74) *Attorney, Agent, or Firm*—Marshall, Gerstein & Borun LLP

(57) **CLAIM**

We claim the ornamental design for a side of file bin, as shown and described.

DESCRIPTION

FIG. 1 is a top perspective view of a side of a file bin showing our new design;
FIG. 2 is a front elevational view thereof;
FIG. 3 is a top perspective view of an embodiment of FIG. 1 thereof;
FIG. 4 is a front elevational view of FIG. 3;
FIG. 5 is a top perspective view of a second embodiment of FIG. 1 thereof; and,
FIG. 6 is a front elevational view of FIG. 5.

The ornamental design which is claimed is shown in solid lines in the drawings. The broken lines in the drawings are for illustrative purposes only and form no part of the claimed design.

1 Claim, 3 Drawing Sheets

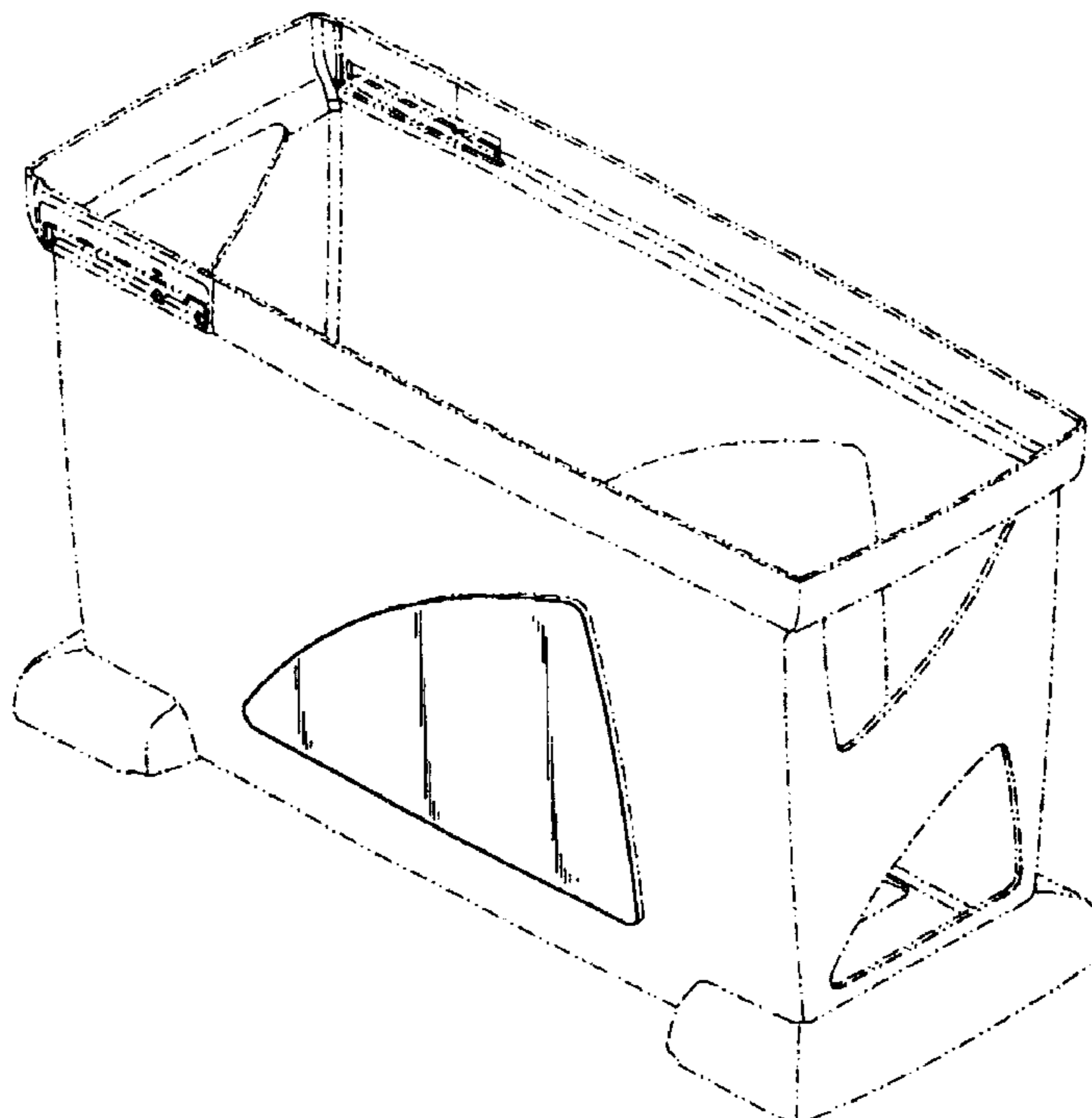


FIG. 1

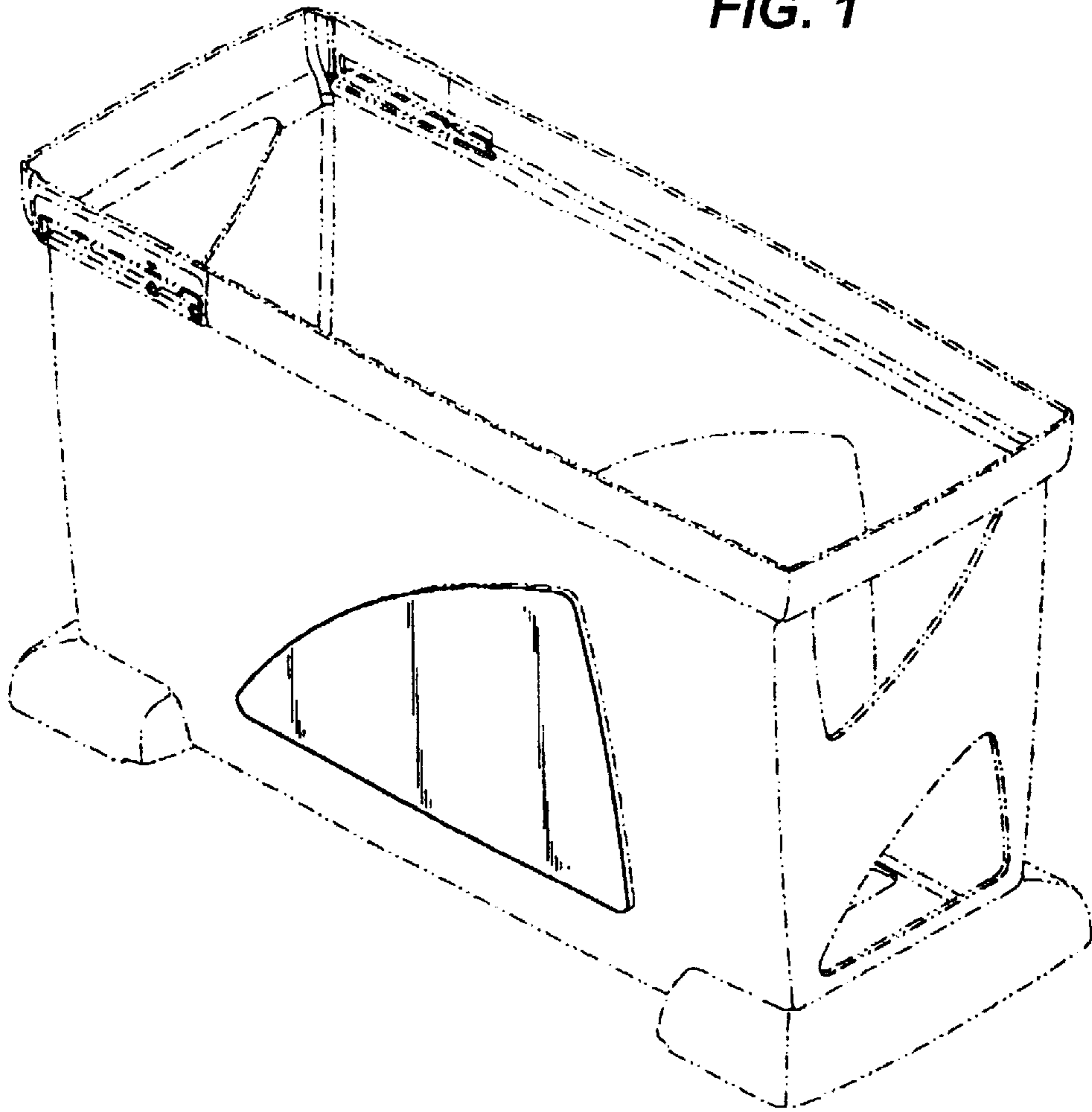
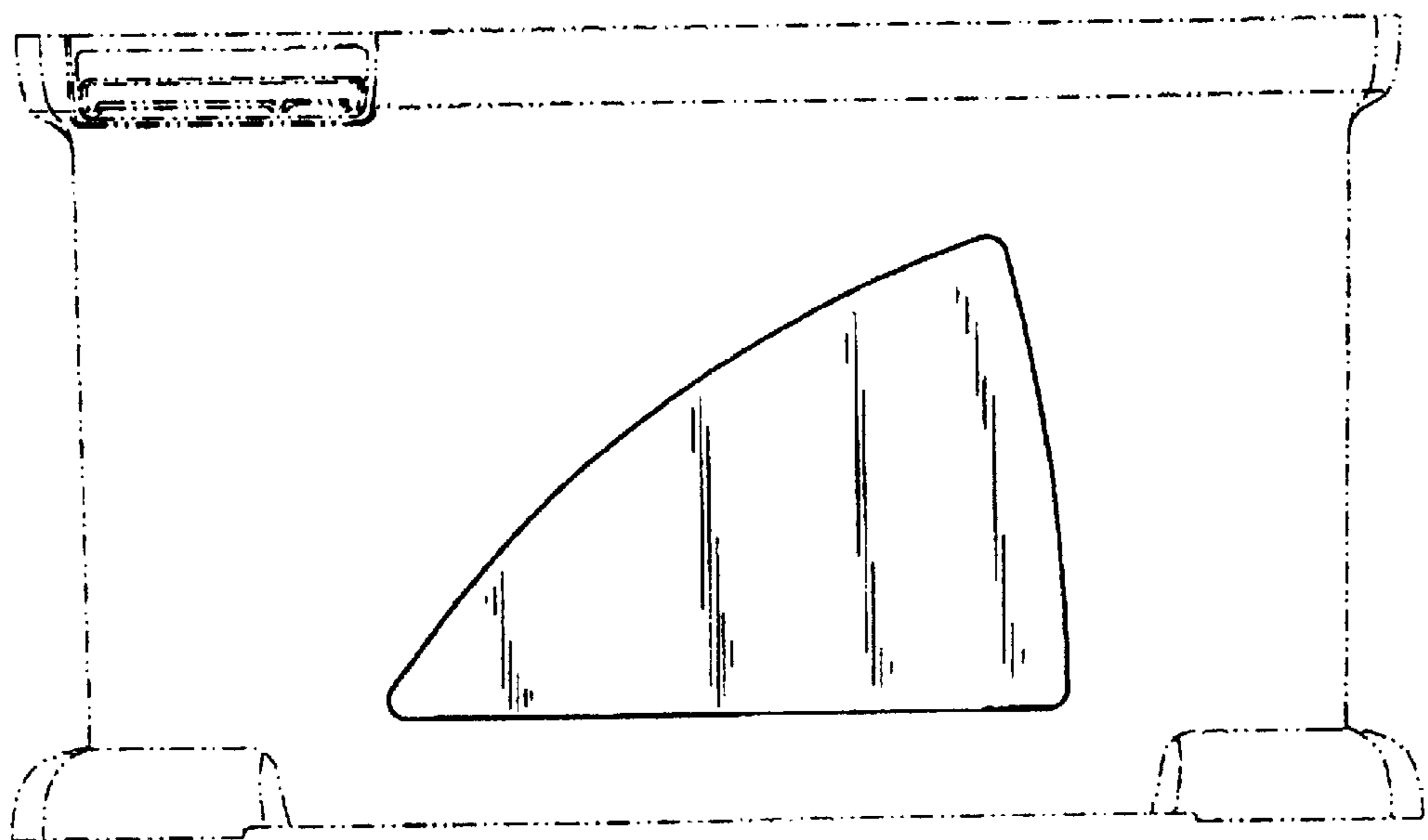


FIG. 2



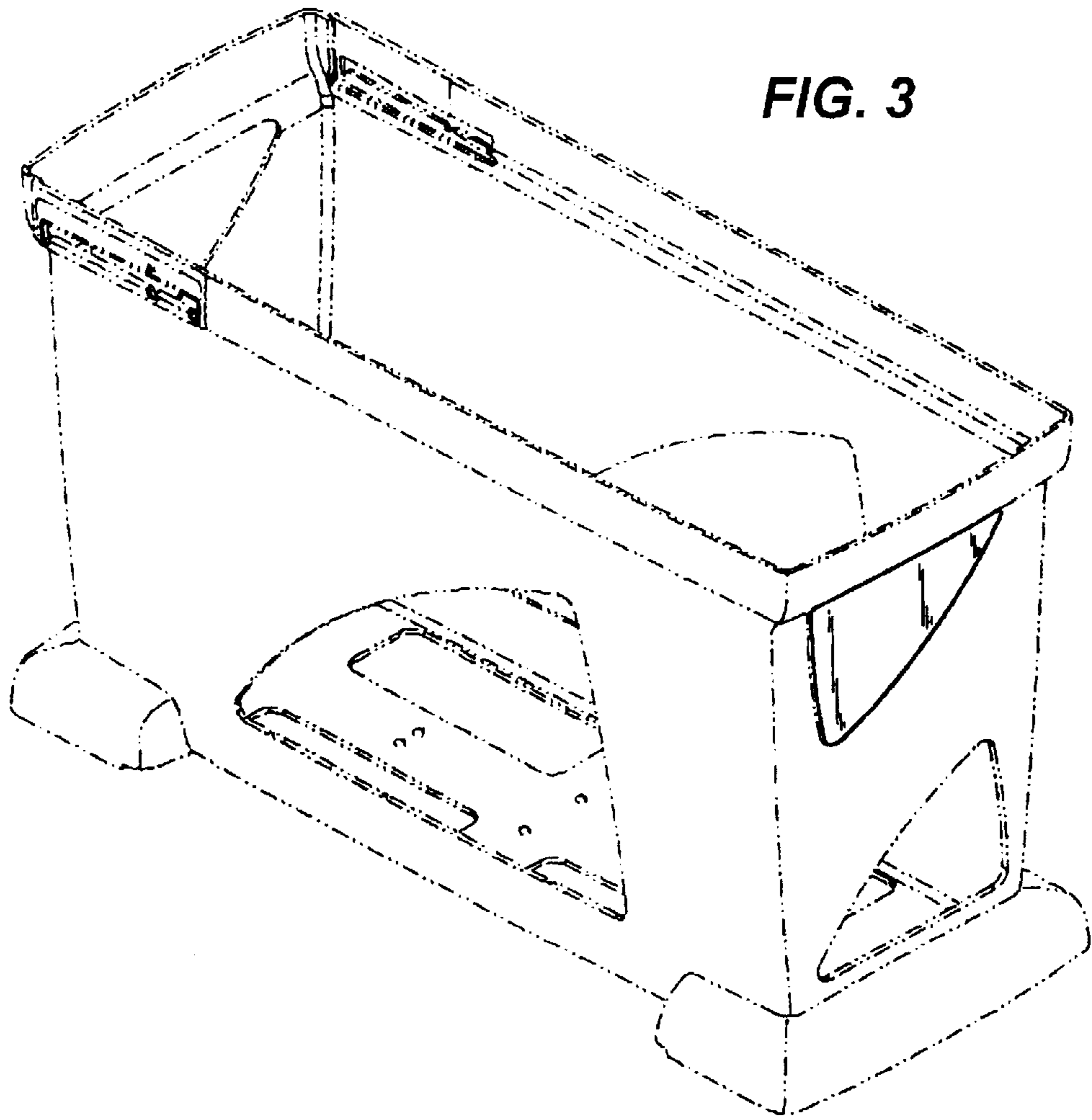
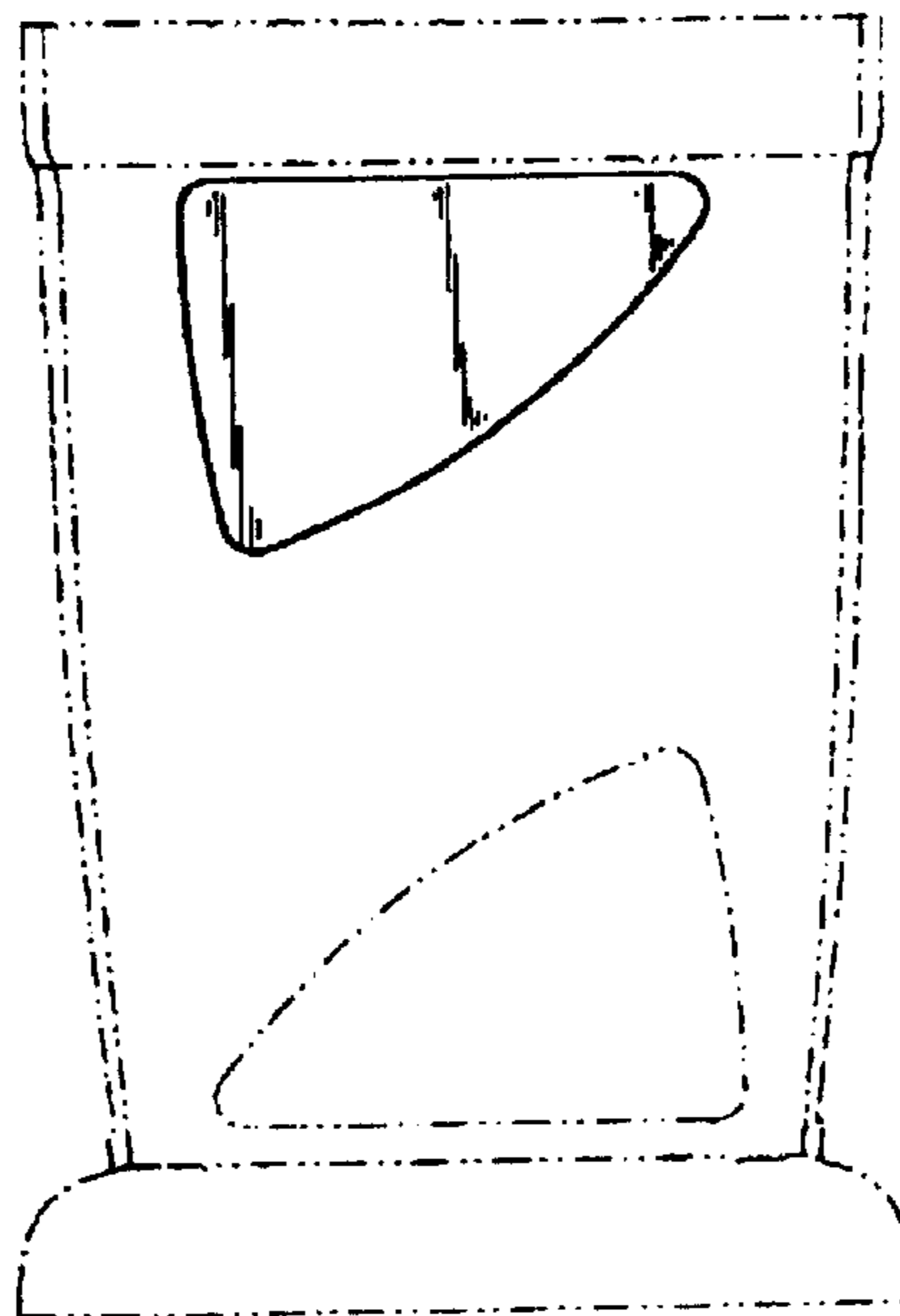


FIG. 4



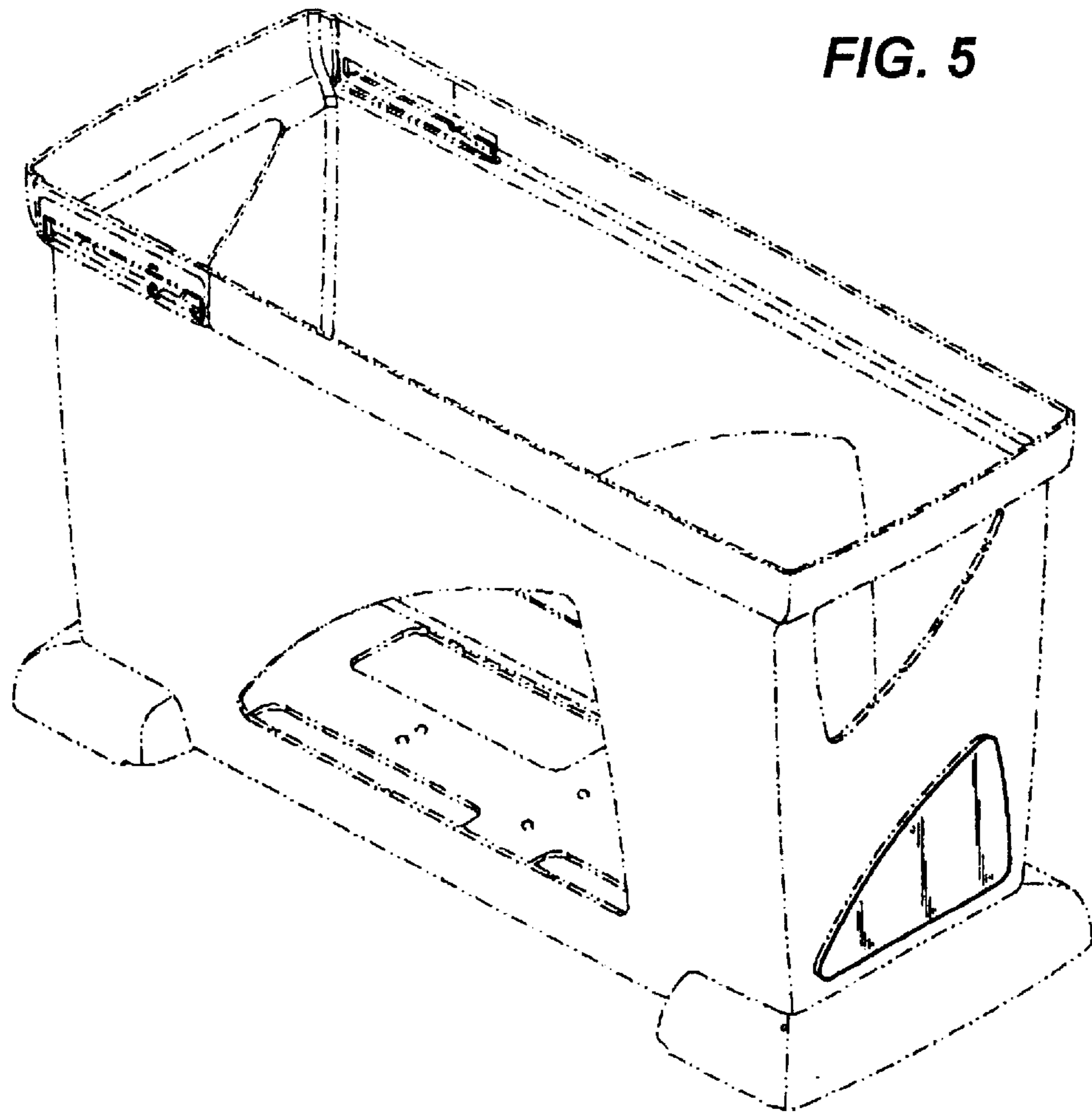


FIG. 5

FIG. 6

