



US00D483068S

(12) **United States Design Patent**  
**Magee**

(10) **Patent No.:** **US D483,068 S**

(45) **Date of Patent:** **\*\* Dec. 2, 2003**

(54) **DESK NAME PLATE AND ACCESSORY BASE**

D325,933 S \* 5/1992 Torgison ..... D19/78  
D446,247 S \* 8/2001 Martorella ..... D19/77

(76) Inventor: **Charles Magee**, 175 Smith Rd., Cairo, GA (US) 31728

\* cited by examiner

(\*\*) Term: **14 Years**

*Primary Examiner*—Martie K. Holtje

(74) *Attorney, Agent, or Firm*—Kilpatrick Stockton LLP

(21) Appl. No.: **29/168,701**

(57) **CLAIM**

(22) Filed: **Oct. 7, 2002**

The ornamental design for a desk name plate and accessory base, as shown and described.

(51) **LOC (7) Cl.** ..... **19-06**

**DESCRIPTION**

(52) **U.S. Cl.** ..... **D19/78; D19/36; D19/85; D20/15; D10/2**

FIG. 1 is a front perspective view of a desk name plate and accessory base showing my new design, the heart-shaped clock and transparent photograph holder depicted by means of broken lines being shown for illustrative purposes only and forming no part of the claimed design;

(58) **Field of Search** ..... D19/35, 36, 65, D19/75, 77, 78, 81–85, 87, 90, 91, 95, 99, 100; 206/214, 224, 371; 211/69.1–69.9, 50, 10, 11; D20/15; D10/2, 3; 312/352

FIG. 2 is a front view of the desk name plate and accessory base shown in FIG. 1;

(56) **References Cited**

**U.S. PATENT DOCUMENTS**

- 1,579,978 A \* 4/1926 Vincia ..... 211/50
- D87,063 S \* 5/1932 Jackson ..... D19/77 X
- D97,342 S \* 10/1935 Bloem ..... D10/2
- D149,335 S \* 4/1948 Beatty ..... D19/77 X
- 2,720,189 A \* 10/1955 Newman ..... 312/352
- D179,658 S \* 2/1957 Scelzo, Jr. .... D19/85
- D193,456 S \* 8/1962 Bellar ..... D19/85
- D202,080 S \* 8/1965 Knaust ..... D19/85
- 4,570,793 A \* 2/1986 O'Neil et al. .... 206/371

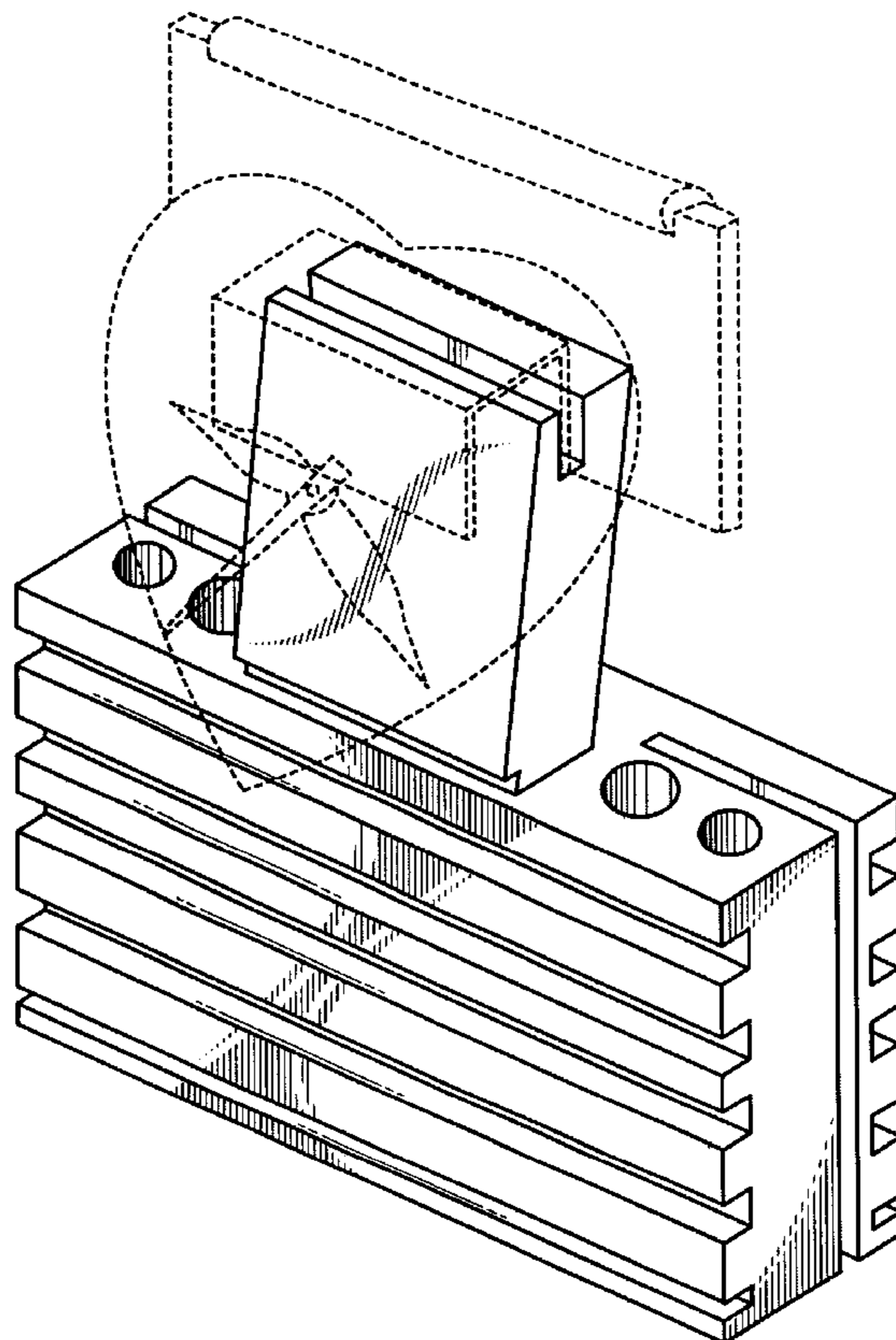
FIG. 3 is a right end view of the desk name plate and accessory base shown in FIG. 1, the opposite end of which is a mirror image;

FIG. 4 is a rear view of the desk name plate and accessory base shown in FIG. 1;

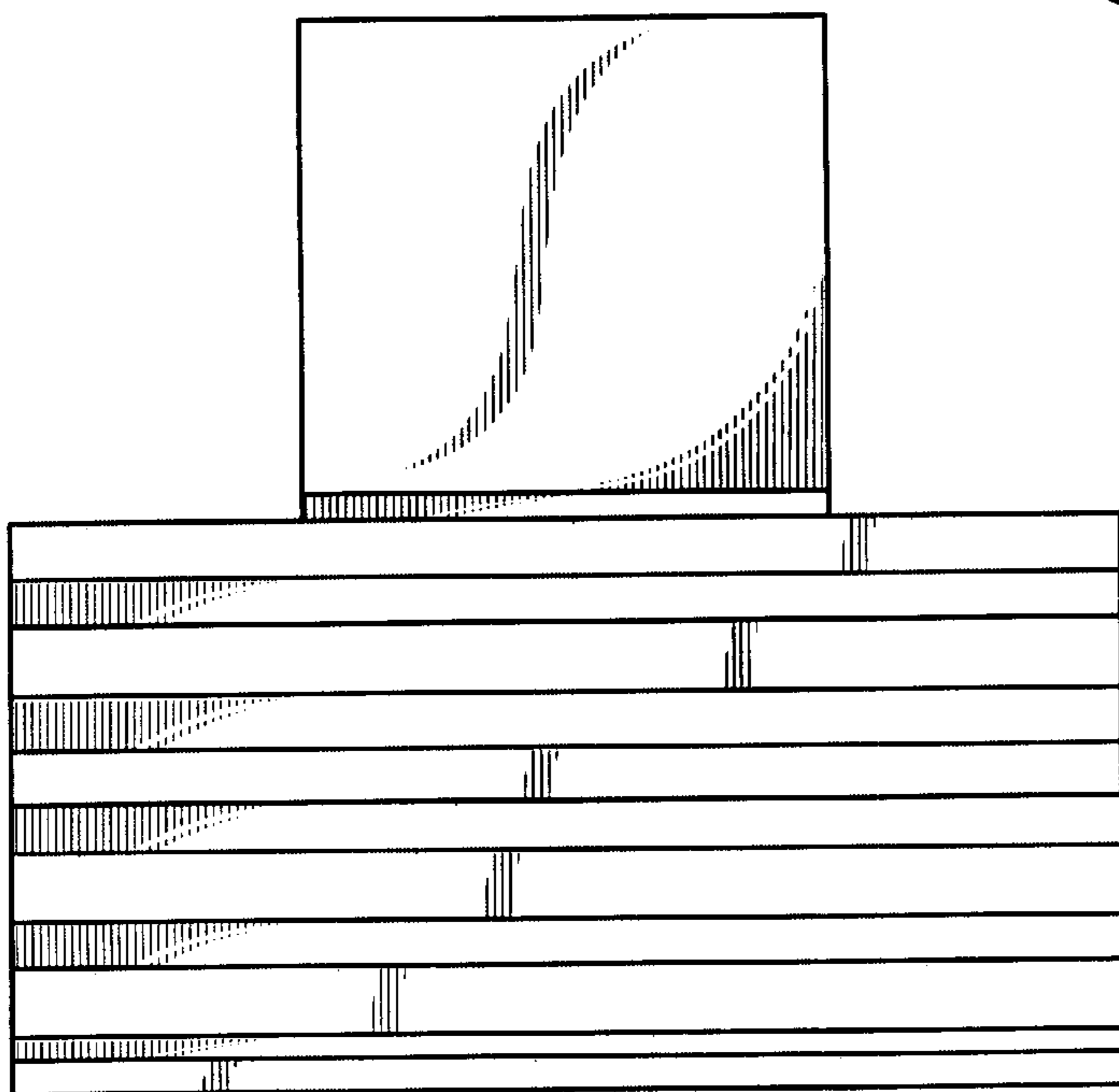
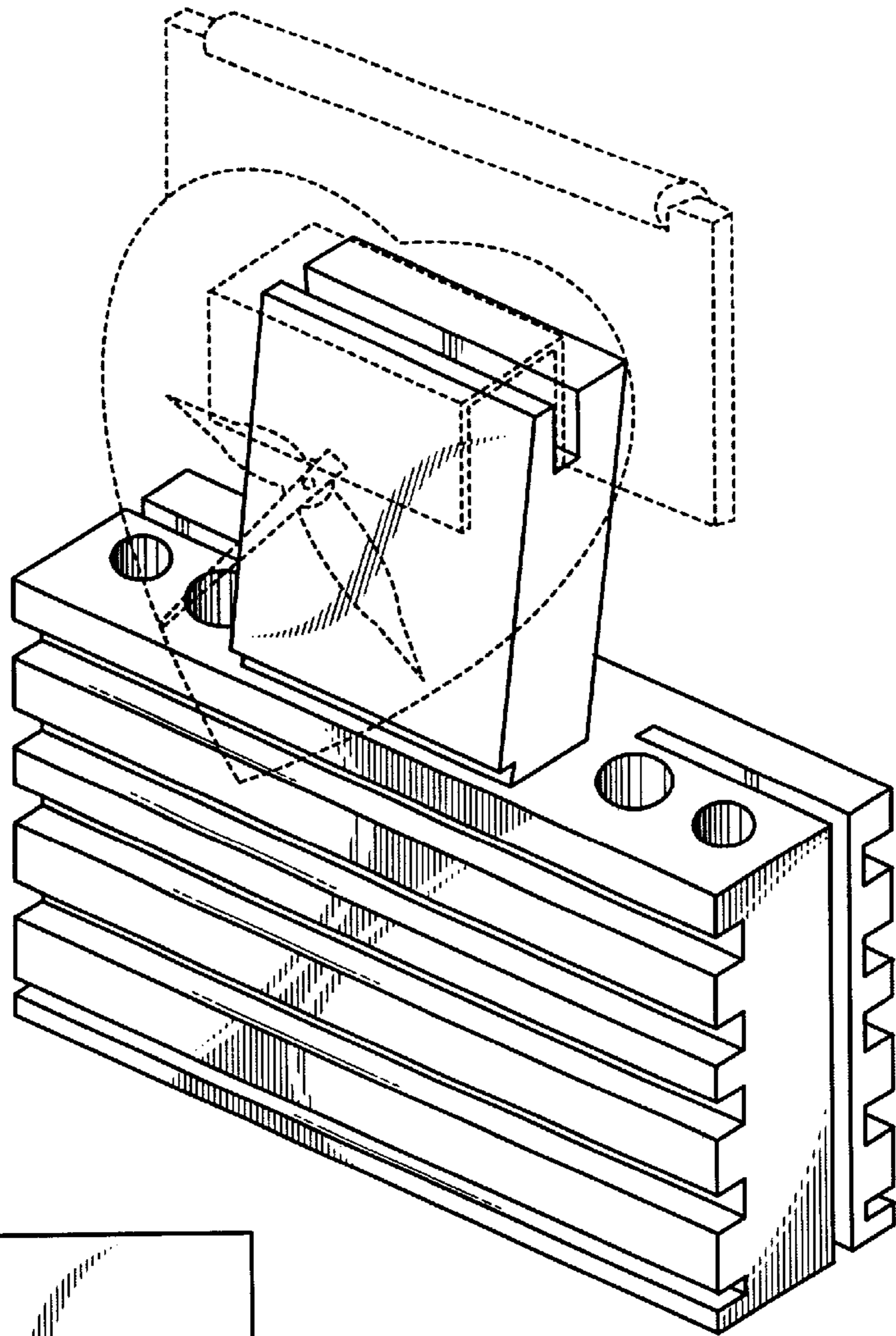
FIG. 5 is a top plan view of the desk name plate and accessory base shown in FIG. 1; and,

FIG. 6 is a bottom plan view of the desk name plate and accessory base shown in FIG. 1.

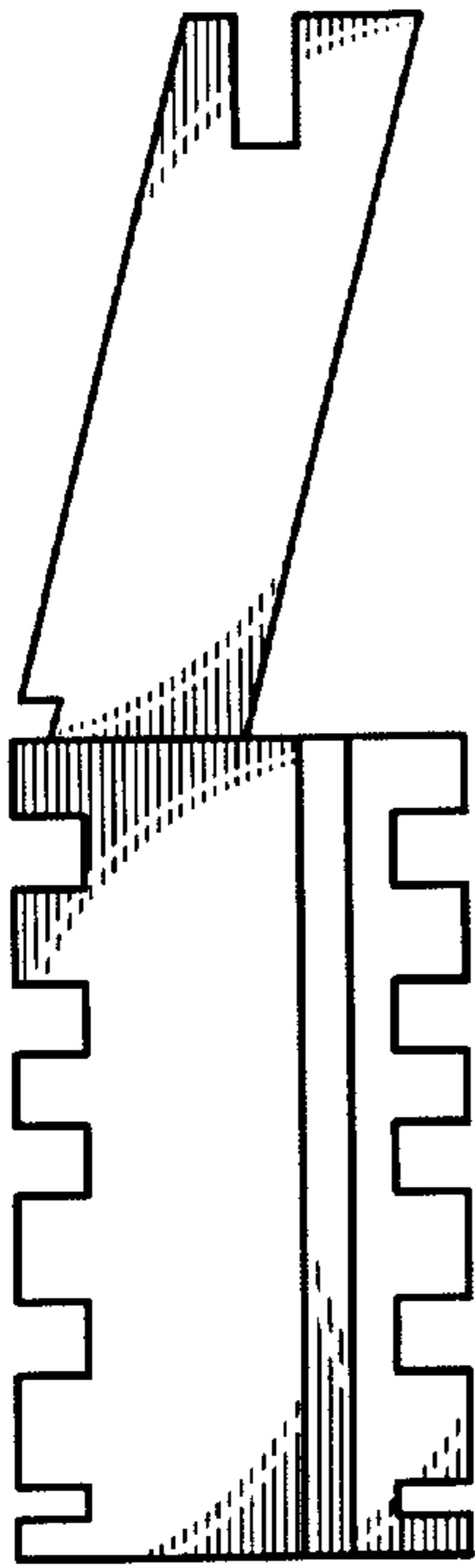
**1 Claim, 2 Drawing Sheets**



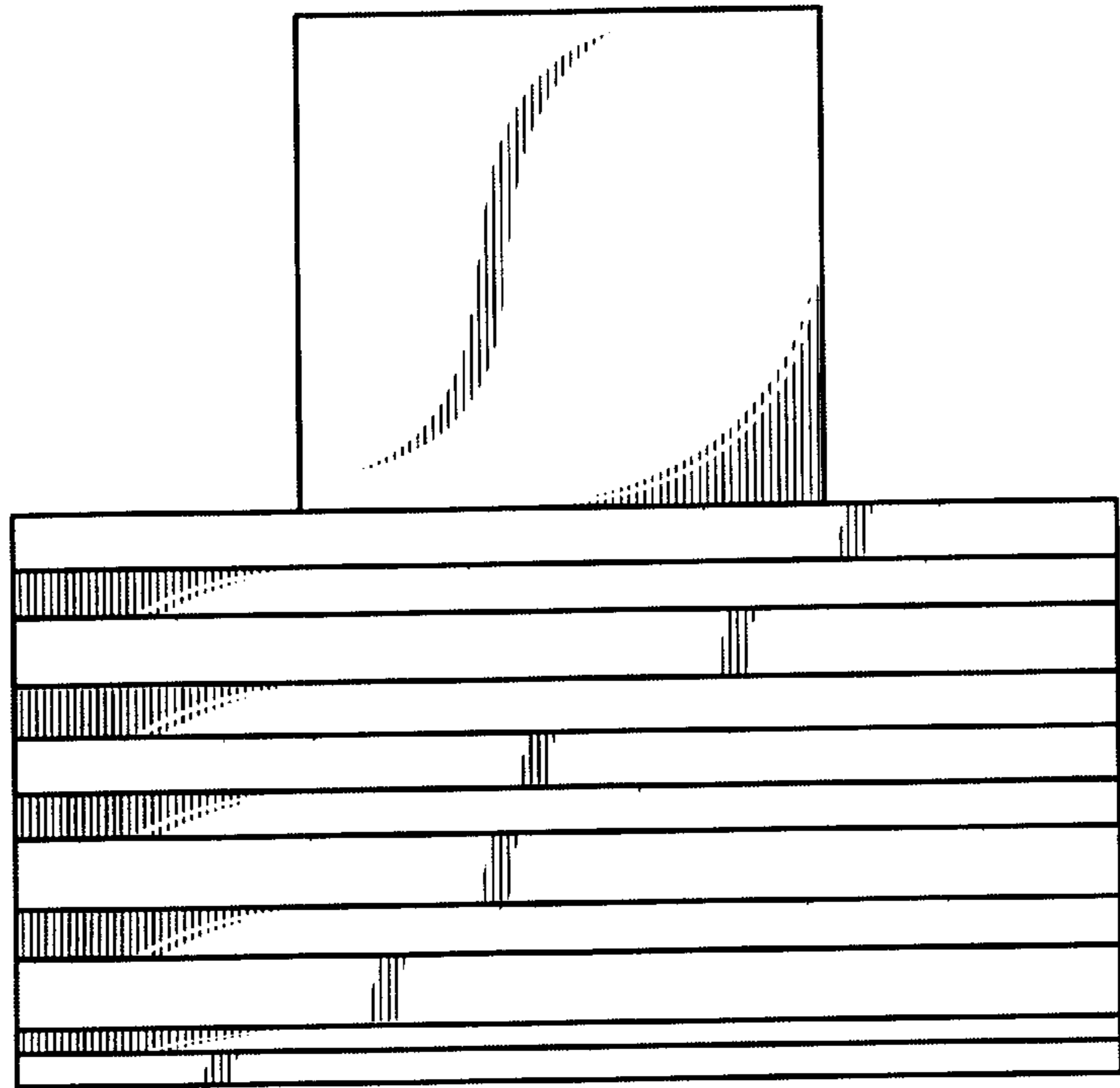
*Fig. 1*



*Fig. 2*



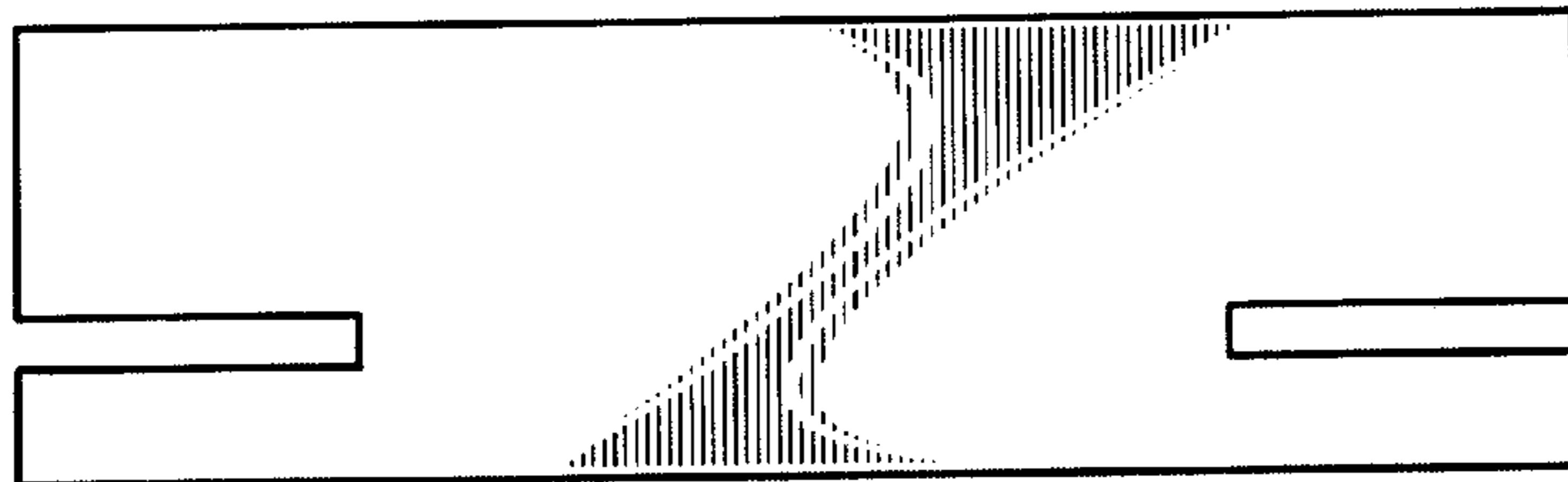
*Fig. 3*



*Fig. 4*



*Fig. 5*



*Fig. 6*