



US00D483063S

(12) **United States Design Patent**  
**Jones**

(10) **Patent No.: US D483,063 S**

(45) **Date of Patent: \*\* \*Dec. 2, 2003**

(54) **COLOR INK STICK FOR SOLID INK PRINTER**

(75) Inventor: **Brent R. Jones**, Tualatin, OR (US)

(73) Assignee: **Xerox Corporation**, Stamford, CT (US)

(\* ) Notice: This patent is subject to a terminal disclaimer.

(\*\* ) Term: **14 Years**

(21) Appl. No.: **29/167,992**

(22) Filed: **Sep. 25, 2002**

(51) **LOC (7) Cl. .... 18-02**

(52) **U.S. Cl. .... D18/56**

(58) **Field of Search ..... D18/56, 43; 347/88, 347/99; 106/31.29, 31.61; D21/484, 486, 490, 491, 493, 499; 434/159, 403**

(56) **References Cited**

**U.S. PATENT DOCUMENTS**

D335,683 S	5/1993	Smith
5,223,860 A	6/1993	Loofbourow et al.
D346,821 S	5/1994	Smith
5,442,387 A	8/1995	Loofbourow et al.
5,510,821 A	4/1996	Jones et al.
D371,801 S	7/1996	Jones et al.
D371,802 S	7/1996	Jones et al.
D372,268 S	7/1996	Jones et al.
D372,270 S	7/1996	Jones et al.
D373,139 S	8/1996	Jones et al.
D379,470 S	5/1997	Gilbert
D379,471 S	5/1997	Gilbert
D379,639 S	6/1997	Gilbert
D379,640 S	6/1997	Gilbert
D380,771 S	7/1997	Jones
D383,153 S	9/1997	Jones et al.
D383,154 S	9/1997	Jones et al.

D402,308 S	12/1998	Yao et al.
D403,351 S	12/1998	Yao et al.
D403,352 S	12/1998	Brown et al.
D403,699 S	1/1999	Chin et al.
D407,109 S	3/1999	Yao et al.
D407,110 S	3/1999	Yao et al.
D407,111 S	3/1999	Brown et al.
D407,112 S	3/1999	Chin et al.
D407,742 S	4/1999	Yao et al.
D407,743 S	4/1999	Yao et al.
D407,745 S	4/1999	Brown et al.
D408,849 S	4/1999	Chin et al.
D409,235 S	5/1999	Chin et al.
D409,237 S	5/1999	Ellers et al.
D410,026 S	5/1999	Brown et al.
D410,490 S	6/1999	Mattern et al.
D412,527 S	8/1999	Ellers et al.
D412,528 S	8/1999	Ellers et al.
D412,934 S	8/1999	Jones
D413,625 S	9/1999	Brown et al.
D414,200 S	9/1999	Jones
D415,193 S	10/1999	Jones
D436,124 S	1/2001	Mattern et al.
D436,989 S	1/2001	Mattern et al.
D440,248 S	4/2001	Mattern et al.
D440,249 S	4/2001	Ellers et al.
D453,786 S	2/2002	Mattern
D453,787 S	2/2002	Mattern

*Primary Examiner*—Cathy Anne MacCormac

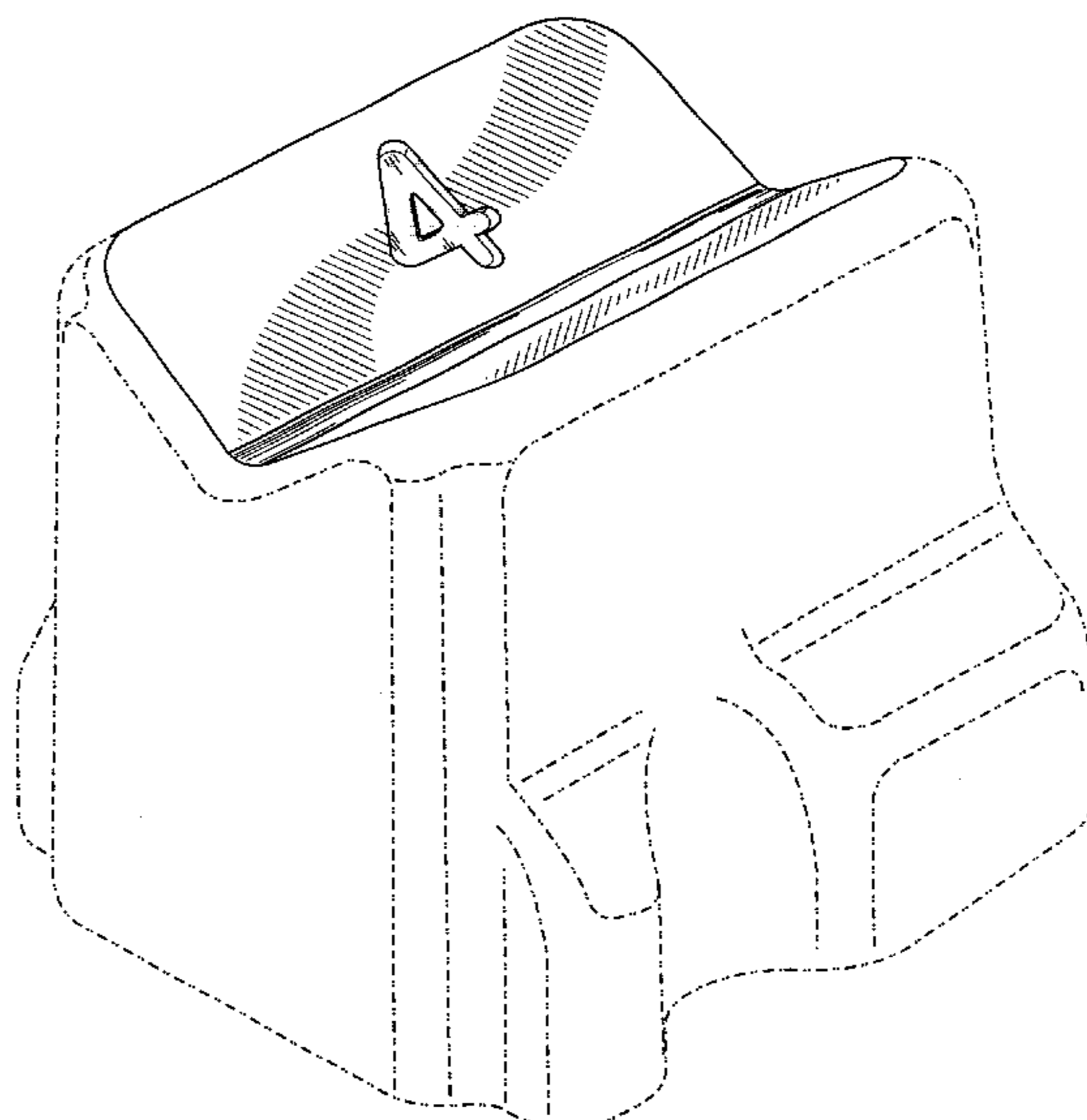
(57) **CLAIM**

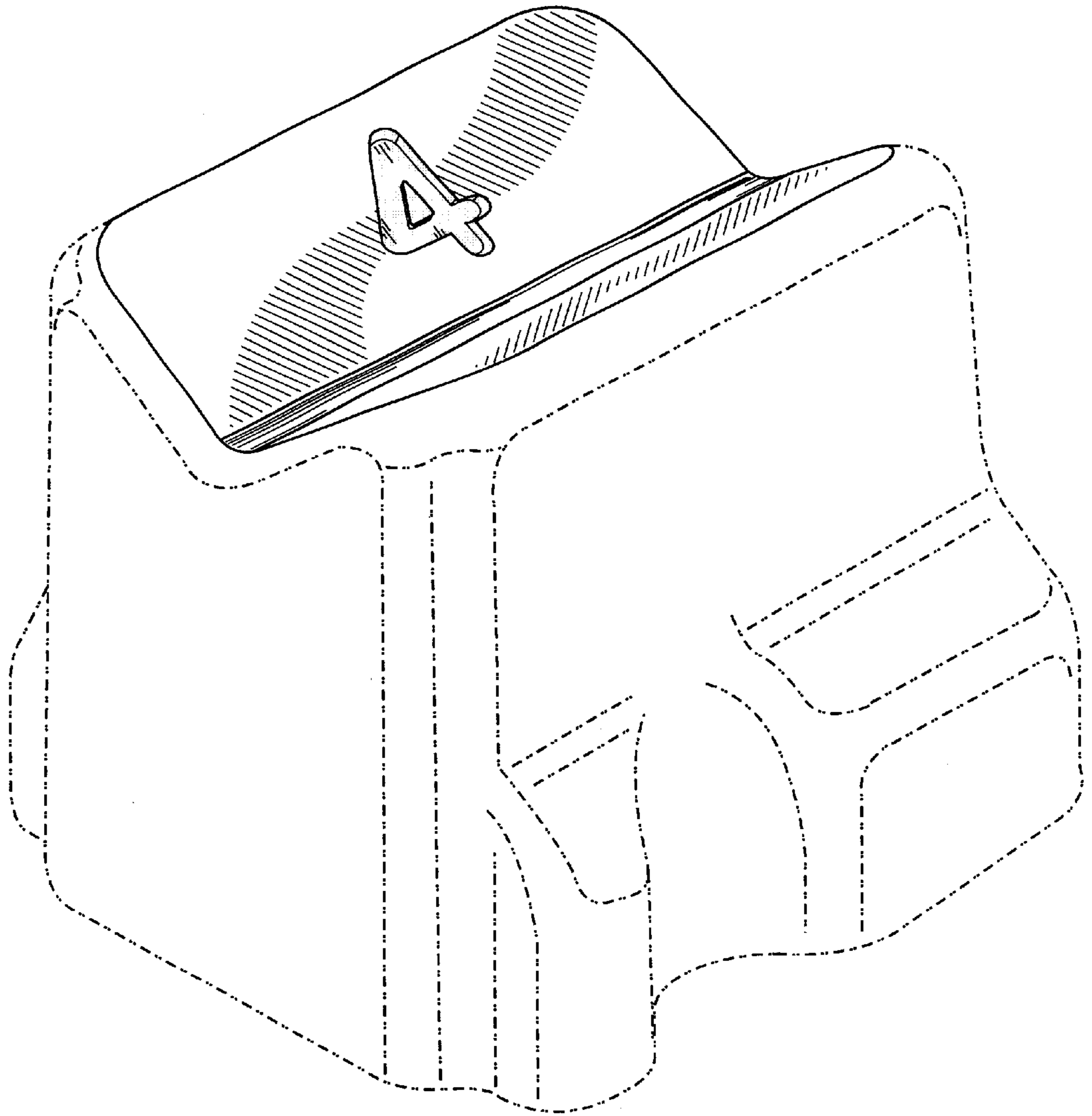
The ornamental design for a color ink stick for solid ink printer, as shown and described.

**DESCRIPTION**

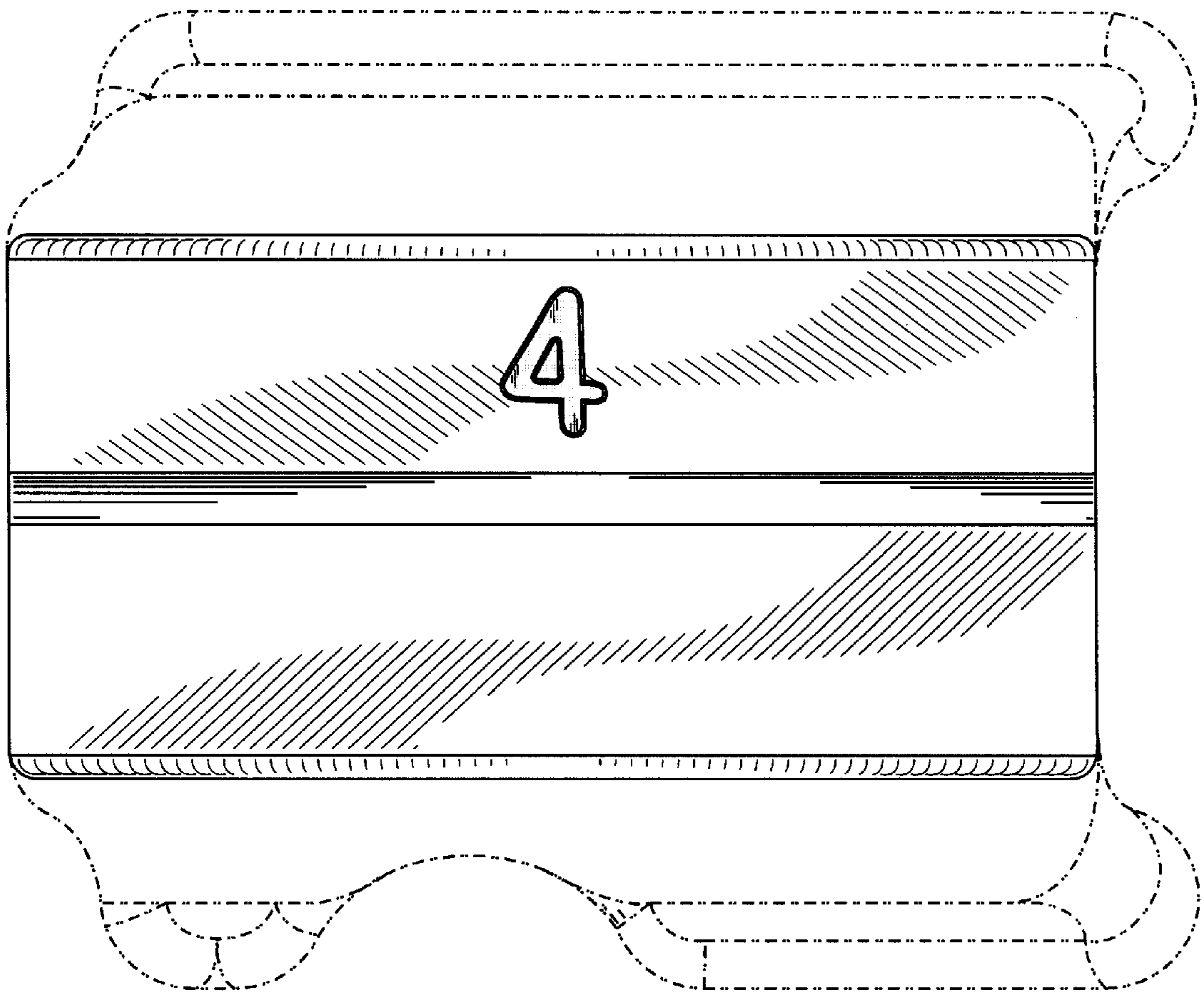
FIG. 1 is a bottom perspective view of a color ink stick for solid ink printer showing my new design; and, FIG. 2 is a bottom plan view thereof. The broken lines are for purposes of illustration only and form no part of the claimed design.

**1 Claim, 2 Drawing Sheets**





**FIG. 1**



**FIG. 2**