



US00D483062S

(12) **United States Design Patent**
Jones

(10) **Patent No.: US D483,062 S**

(45) **Date of Patent: ** *Dec. 2, 2003**

(54) **COLOR INK STICK FOR SOLID INK
PRINTER**

(75) **Inventor: Brent R. Jones, Tualatin, OR (US)**

(73) **Assignee: Xerox Corporation, Stamford, CT
(US)**

(*) **Notice:** This patent is subject to a terminal dis-
claimer.

(**) **Term: 14 Years**

(21) **Appl. No.: 29/167,972**

(22) **Filed: Sep. 25, 2002**

(51) **LOC (7) Cl. 18-02**

(52) **U.S. Cl. D18/56**

(58) **Field of Search D18/56, 43; 347/88,
347/99; 106/31.29, 31.61**

(56) **References Cited**

U.S. PATENT DOCUMENTS

D335,683 S	5/1993	Smith	
5,223,860 A	6/1993	Loofbourow et al.	
D346,821 S	5/1994	Smith	
5,442,387 A	8/1995	Loofbourow et al.	
5,510,821 A	4/1996	Jones et al.	
D371,801 S	7/1996	Jones et al.	
D371,802 S	7/1996	Jones et al.	
D372,268 S	7/1996	Jones et al.	
D372,270 S	7/1996	Jones et al.	
D373,139 S	8/1996	Jones et al.	
D379,470 S	5/1997	Gilbert	
D379,471 S	5/1997	Gilbert	
D379,639 S	6/1997	Gilbert	
D379,640 S	6/1997	Gilbert	
D380,771 S	7/1997	Jones	
D383,153 S	9/1997	Jones et al.	
D383,154 S	9/1997	Jones et al.	
5,734,402 A *	3/1998	Rousseau et al.	347/88
5,784,089 A *	7/1998	Crawford	347/88
D402,308 S	12/1998	Yao et al.	
D403,351 S	12/1998	Yao et al.	
D403,352 S	12/1998	Brown et al.	

D403,699 S	1/1999	Chin et al.
D407,109 S	3/1999	Yao et al.
D407,110 S	3/1999	Yao et al.
D407,111 S	3/1999	Brown et al.
D407,112 S	3/1999	Chin et al.
D407,742 S	4/1999	Yao et al.
D407,743 S	4/1999	Yao et al.
D407,745 S	4/1999	Brown et al.
D408,849 S	4/1999	Chin et al.
D409,235 S	5/1999	Chin et al.
D409,237 S	5/1999	Ellers et al.
D410,026 S	5/1999	Brown et al.
D410,490 S	6/1999	Mattern et al.
D412,527 S	8/1999	Ellers et al.
D412,528 S	8/1999	Ellers et al.
D412,934 S	8/1999	Jones
D413,625 S	9/1999	Brown et al.
D414,200 S	9/1999	Jones
D415,193 S	10/1999	Jones
D436,124 S	1/2001	Mattern et al.
D436,989 S	1/2001	Mattern et al.
D440,248 S	4/2001	Mattern et al.
D440,249 S	4/2001	Ellers et al.
D453,786 S	2/2002	Mattern
D453,787 S	2/2002	Mattern

* cited by examiner

Primary Examiner—Cathy Anne MacCormac

(57) **CLAIM**

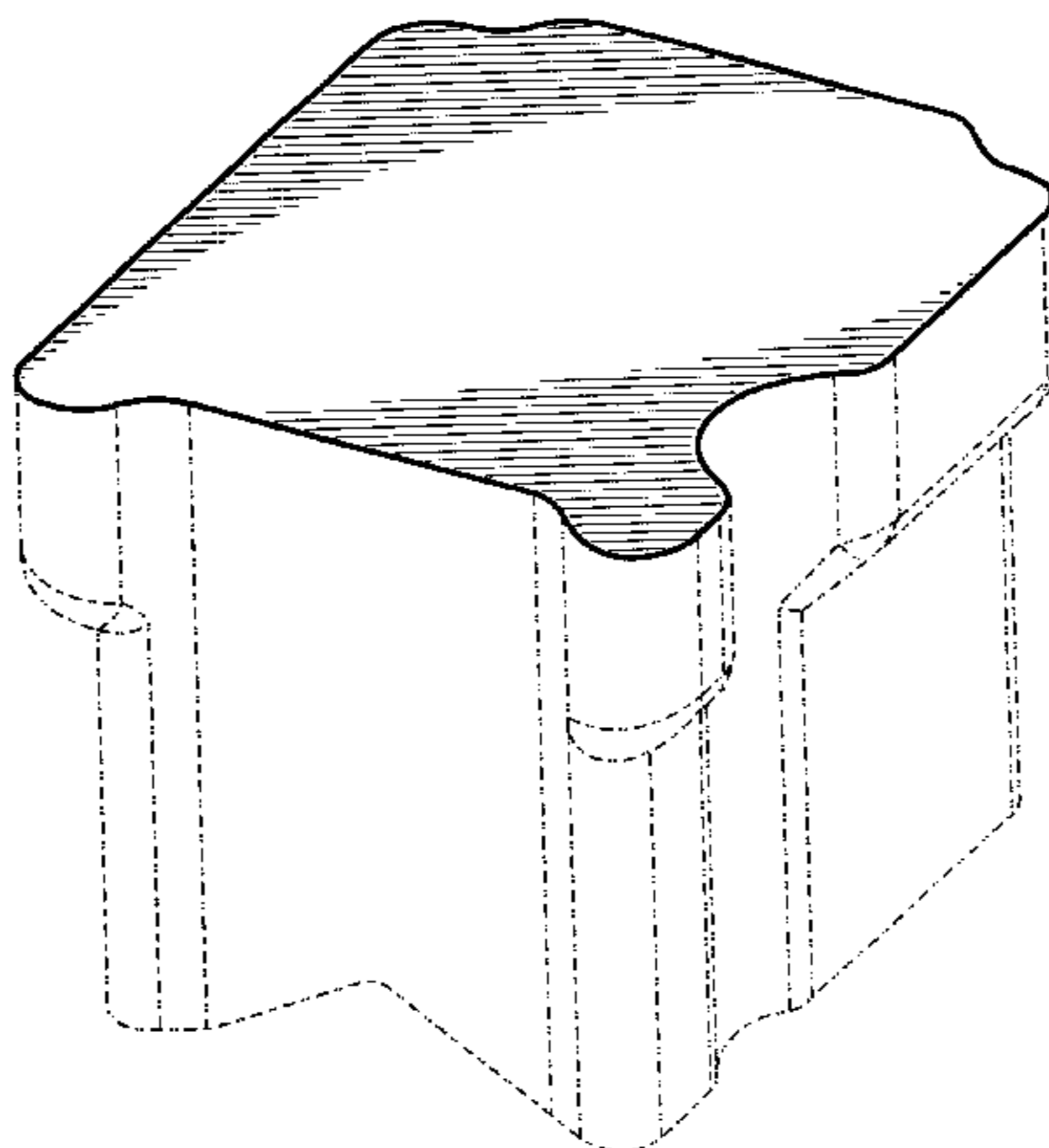
The ornamental design for a color ink stick for solid ink printer, as shown and described.

DESCRIPTION

FIG. 1 is a front perspective view of a color ink stick for solid ink printer showing my new design; FIG. 2 is a right side elevation view thereof; FIG. 3 is a front elevation view thereof; FIG. 4 is a left side elevation view thereof; FIG. 5 is a rear elevation view thereof; and, FIG. 6 is a top plan view thereof.

The broken lines are for purposes of illustration only and form no part of the claimed design.

1 Claim, 3 Drawing Sheets



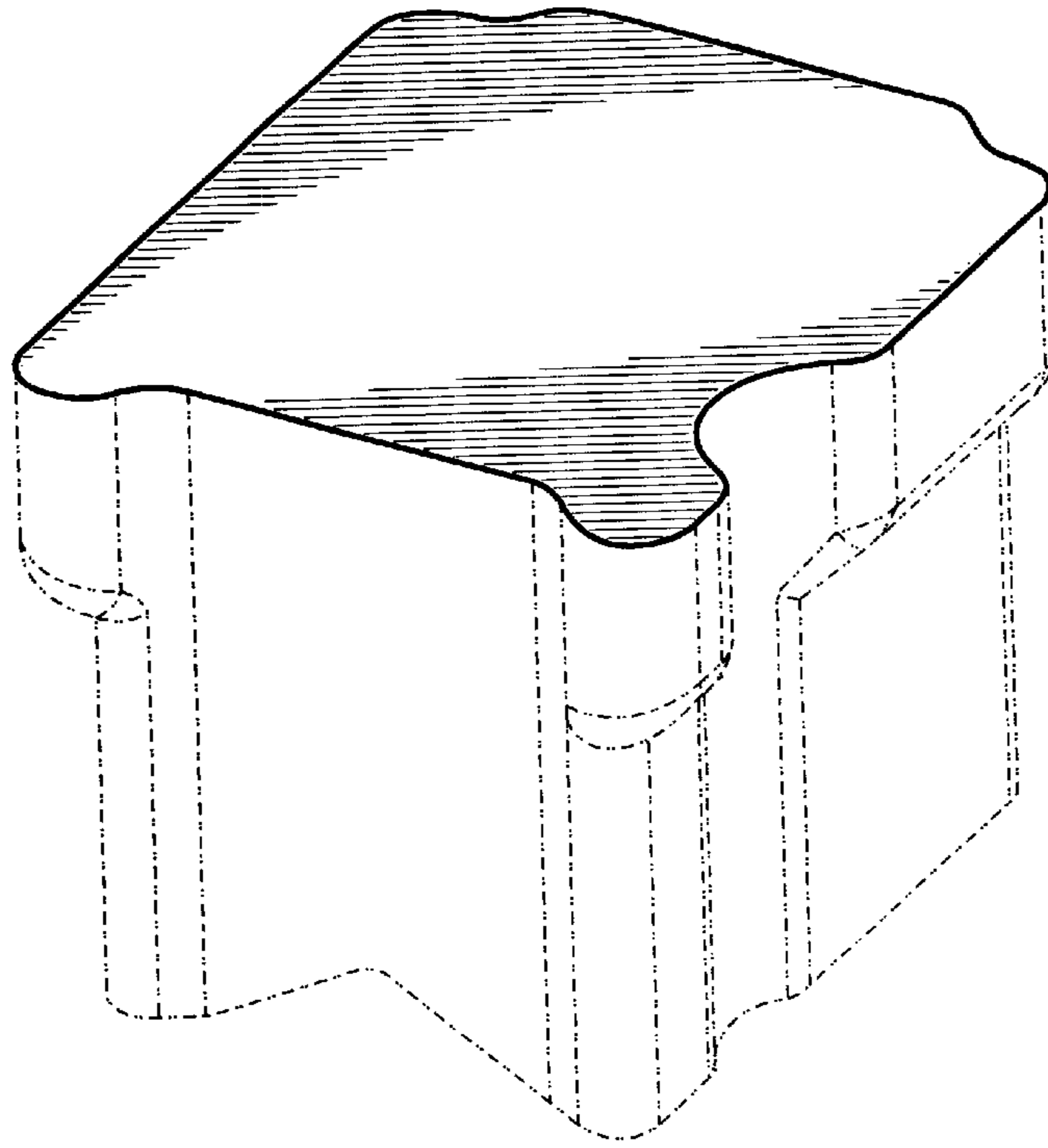


FIG. 1

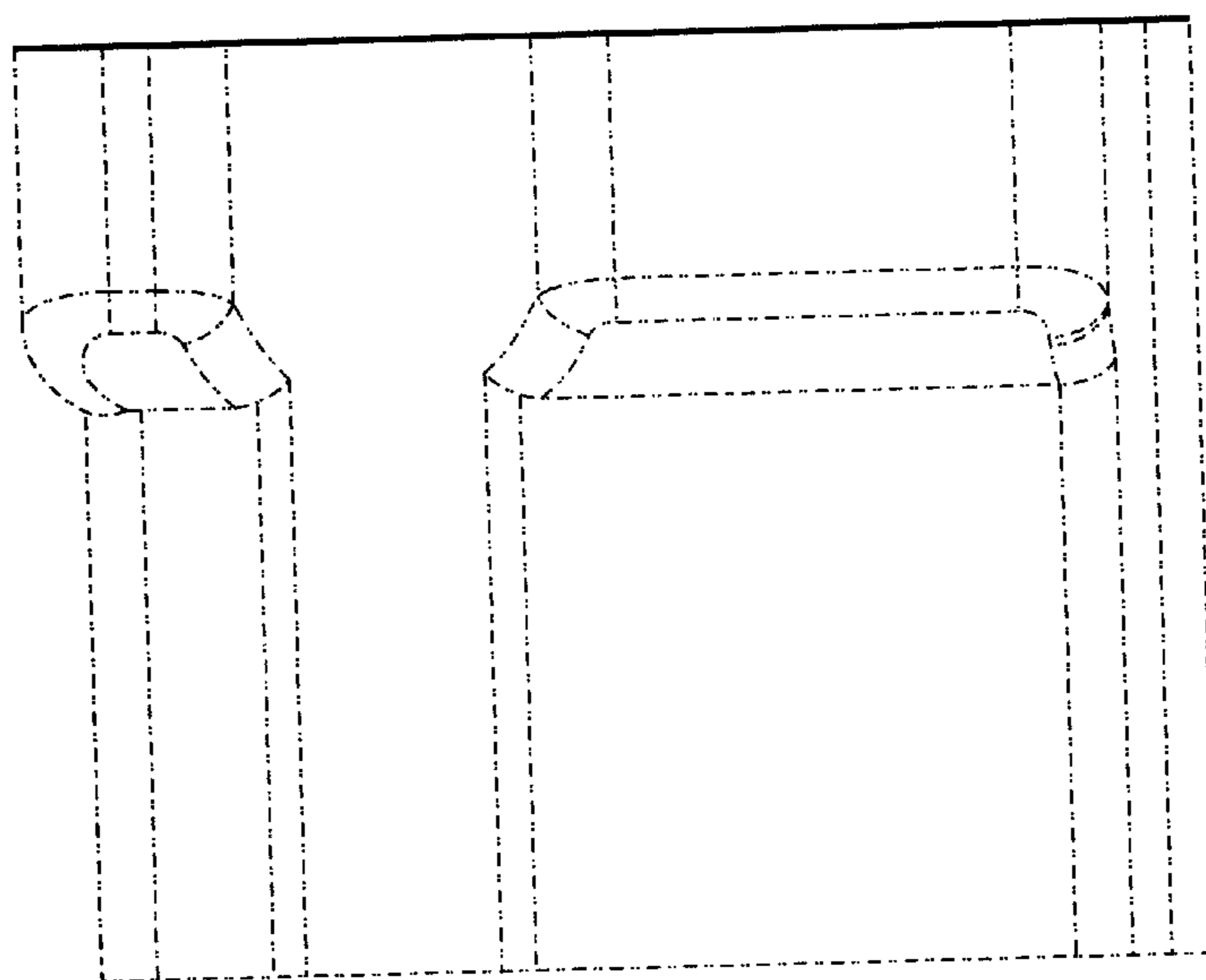


FIG. 2

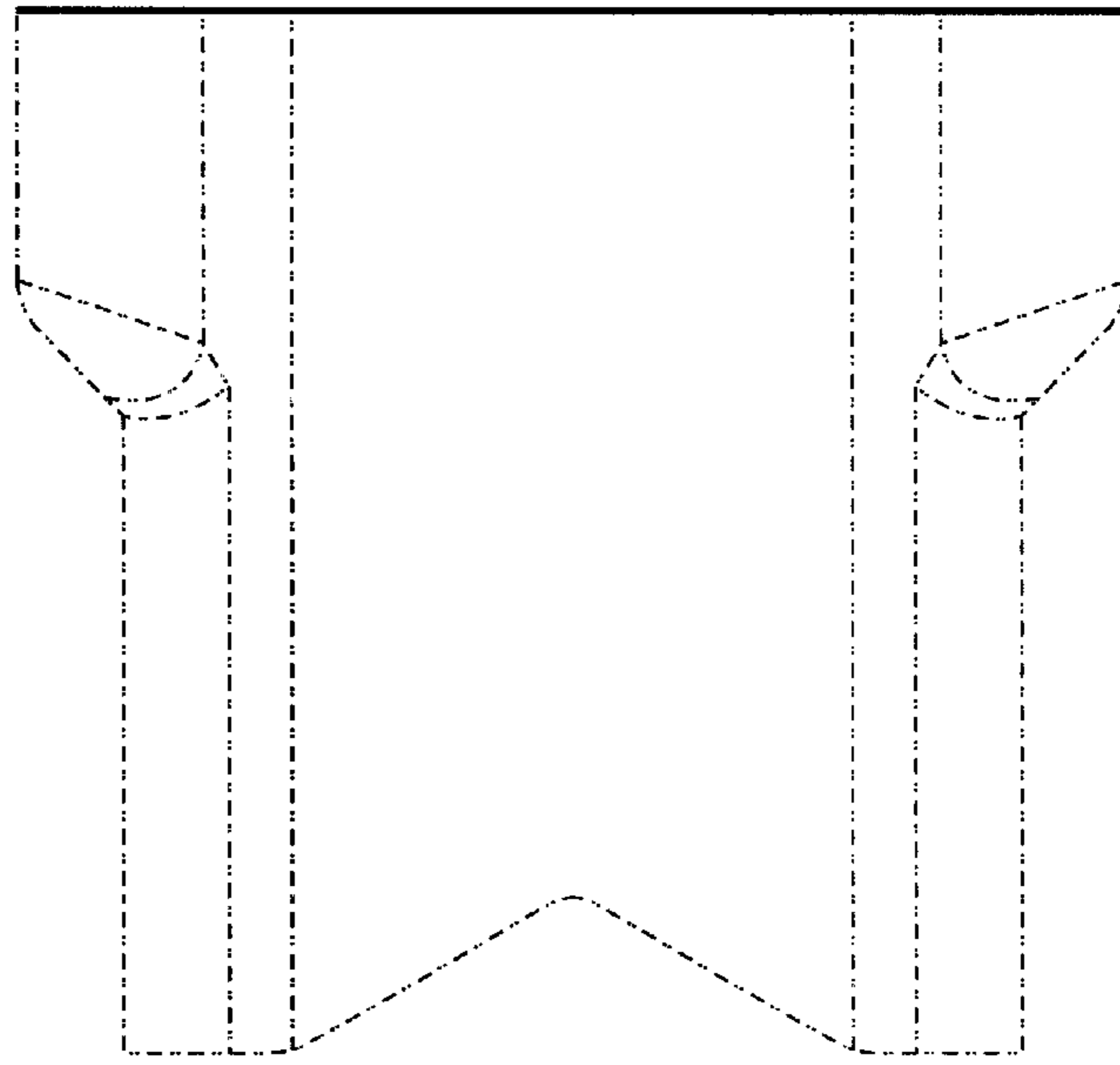


FIG. 3

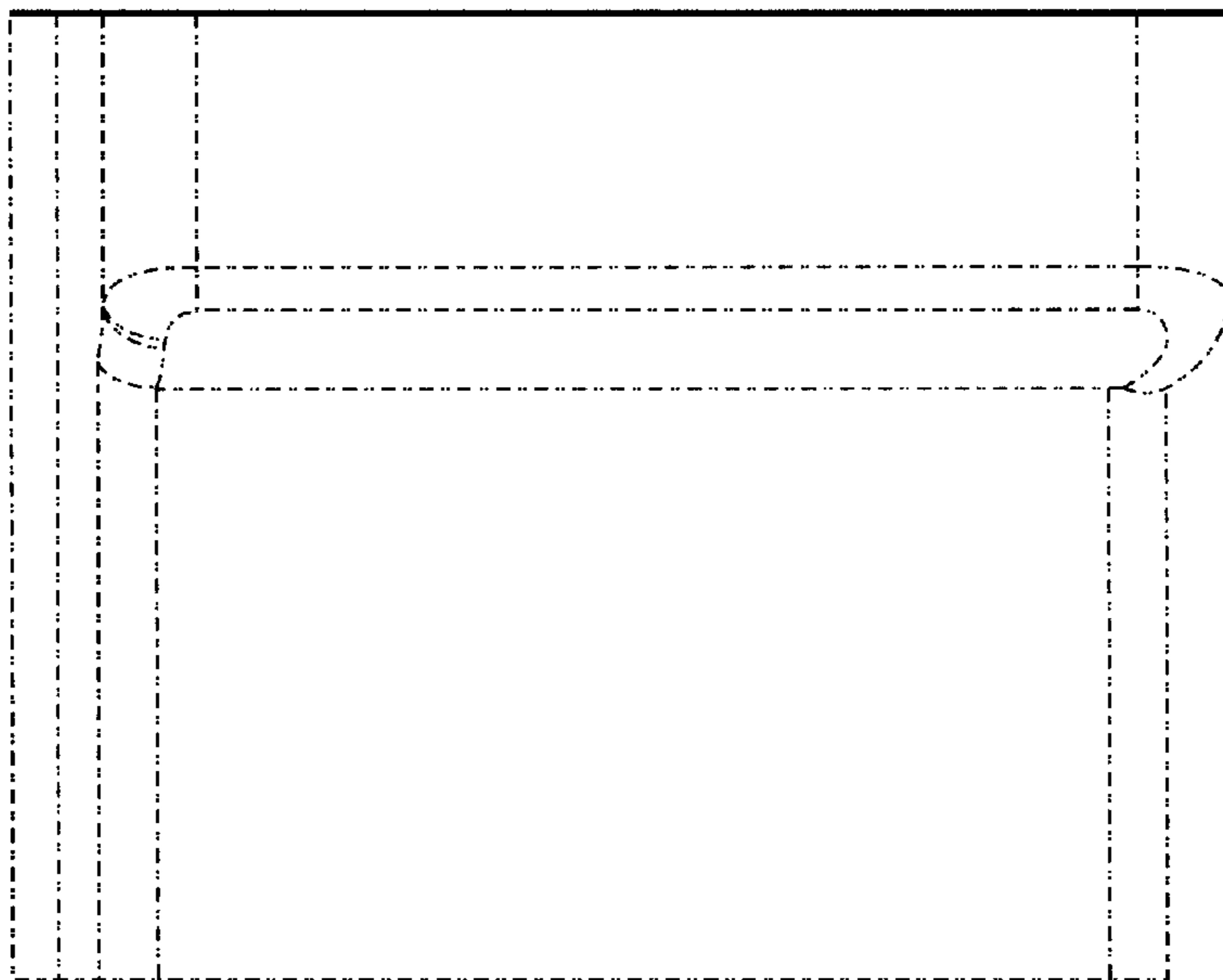


FIG. 4

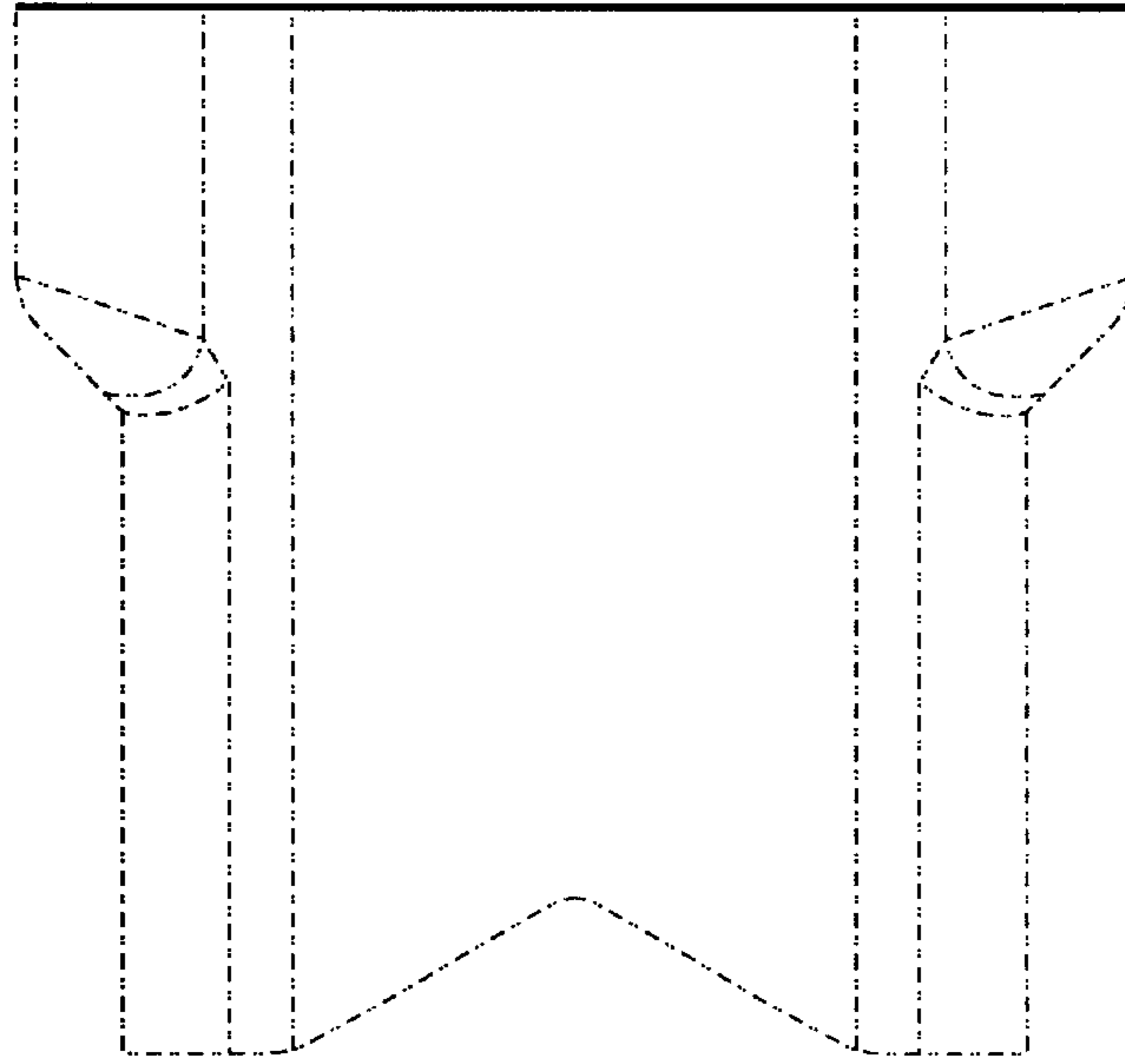


FIG. 5

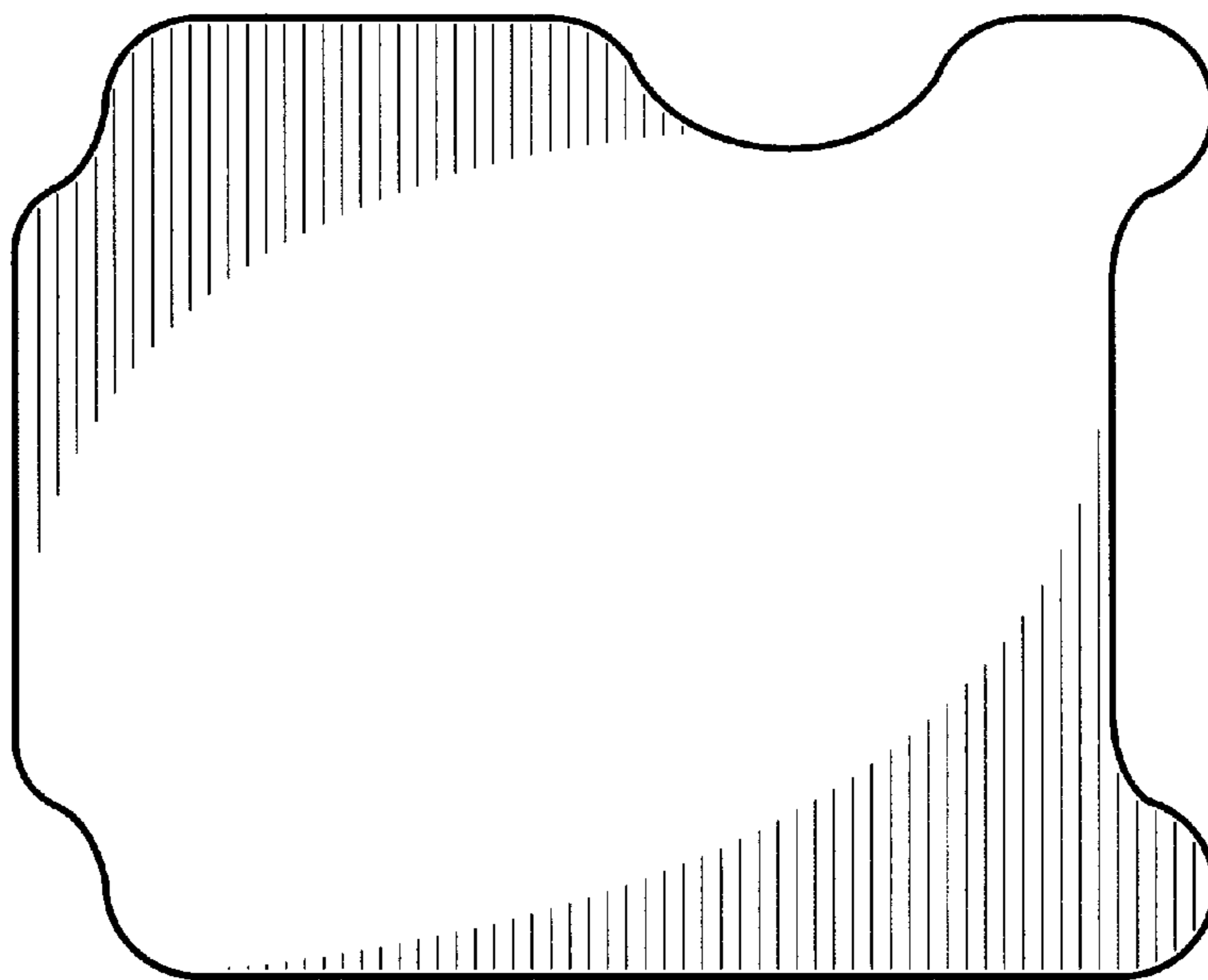


FIG. 6