



US00D483060S

(12) **United States Design Patent**
Wong et al.

(10) **Patent No.:** **US D483,060 S**

(45) **Date of Patent:** **** Dec. 2, 2003**

(54) **PRINTER**

(75) Inventors: **Howard G. Wong**, Portland, OR (US);
Daniel R. Dwyer, Battle Ground, WA (US)

(73) Assignee: **Hewlett-Packard Company, L.P.**,
Houston, TX (US)

(**) Term: **14 Years**

(21) Appl. No.: **29/170,576**

(22) Filed: **Nov. 8, 2002**

(51) **LOC (7) Cl.** **14-02**

(52) **U.S. Cl.** **D18/50**

(58) **Field of Search** D18/50, 53, 54-55,
D18/36-39; D14/420-425, 462-470; 400/613,
613.1-613.4, 690.1-690.4, 691-694

(56) **References Cited**

U.S. PATENT DOCUMENTS

D439,274 S * 3/2001 Dwyer et al. D18/55

D463,485 S * 9/2002 Yoshida et al. D18/50

D465,515 S * 11/2002 Hwang et al. D18/55

D466,552 S * 12/2002 Hwang et al. D18/55

D466,920 S * 12/2002 Kawahara et al. D18/50

* cited by examiner

Primary Examiner—Cathy Anne MacCormac

(57) **CLAIM**

The ornamental design for a printer, substantially as shown.

DESCRIPTION

FIG. 1 is a perspective view of a printer, in accordance with the present invention;

FIG. 2 is a top view thereof;

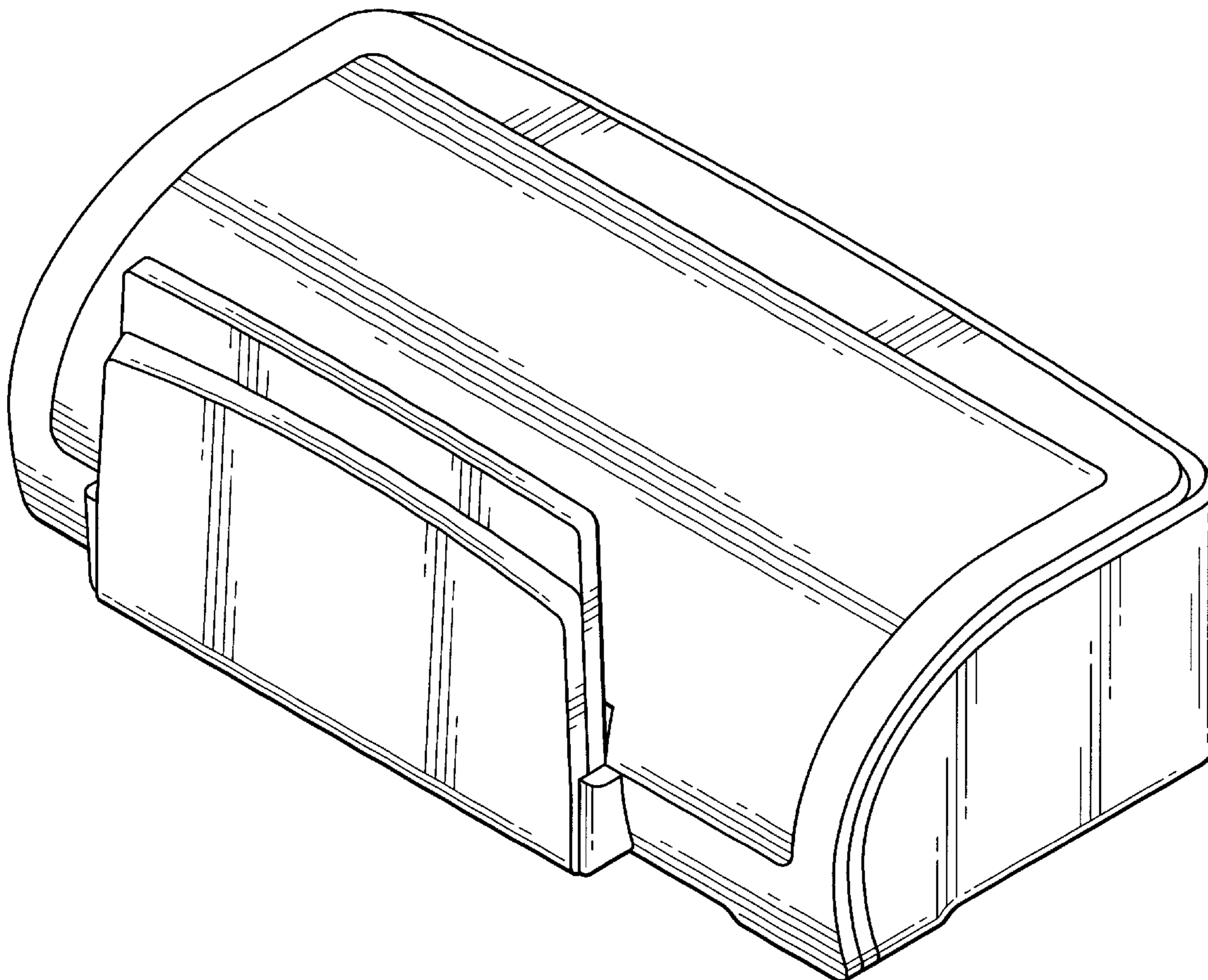
FIG. 3 is a front view thereof;

FIG. 4 is a right side view thereof, the left side is a mirror image;

FIG. 5 is a rear view thereof; and,

FIG. 6 is a bottom view thereof.

1 Claim, 5 Drawing Sheets



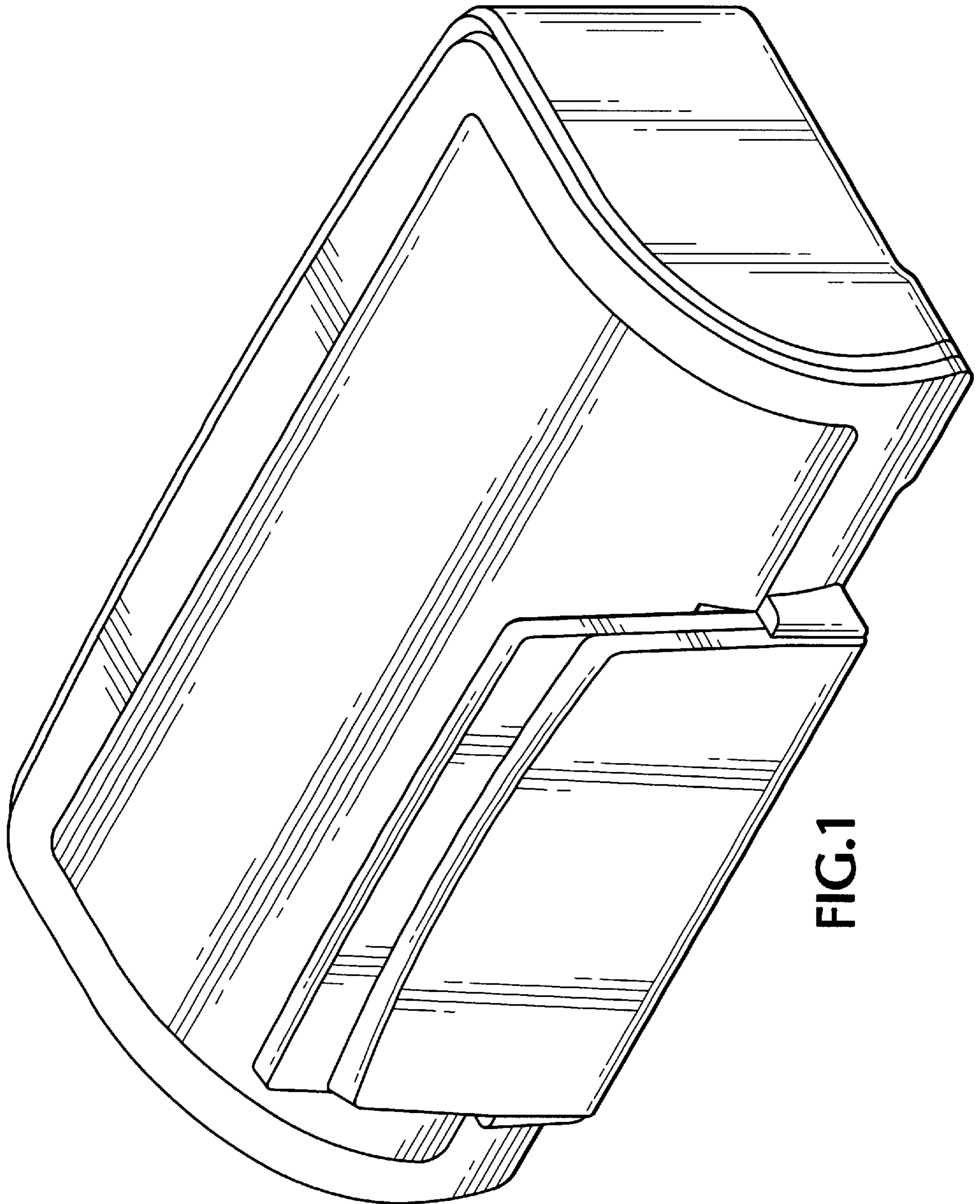


FIG.1

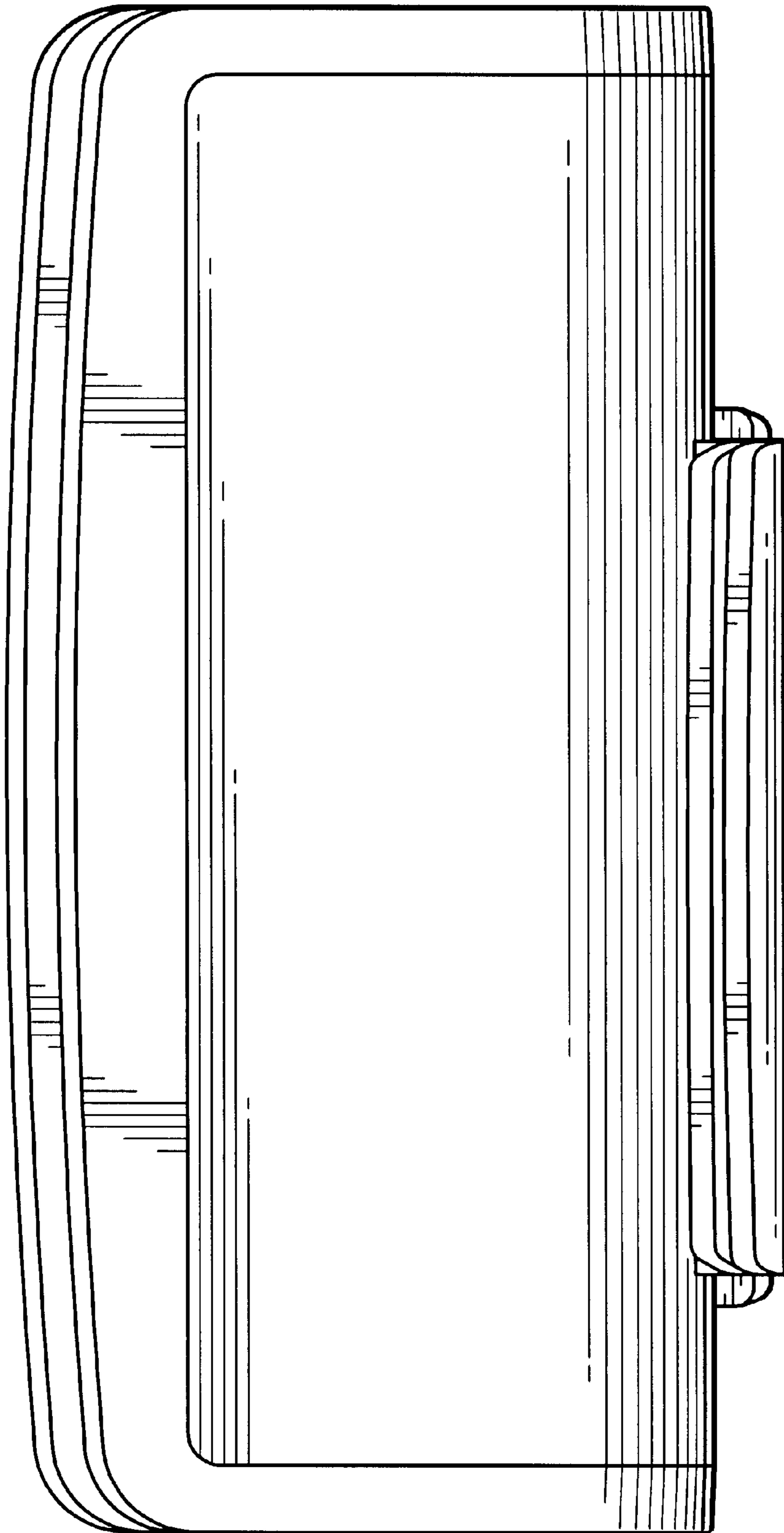


FIG.2

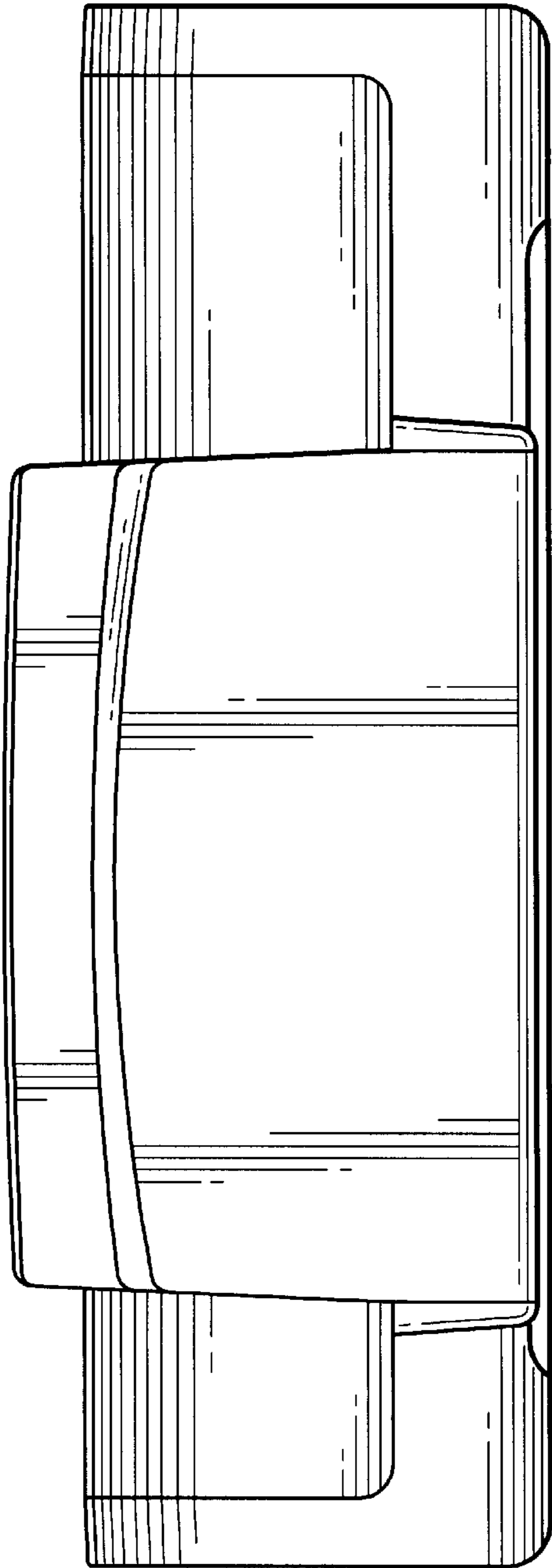


FIG. 3

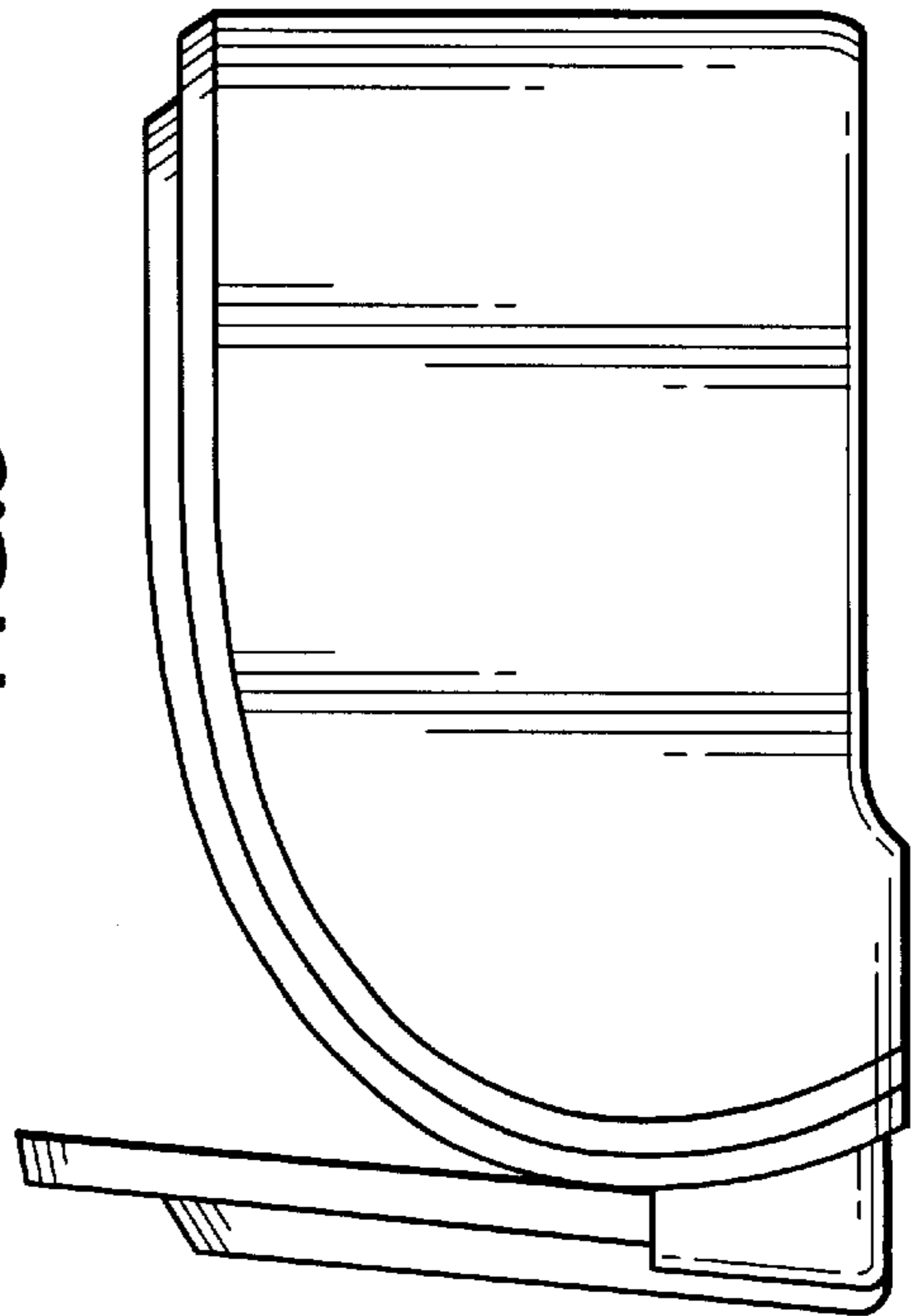


FIG. 4

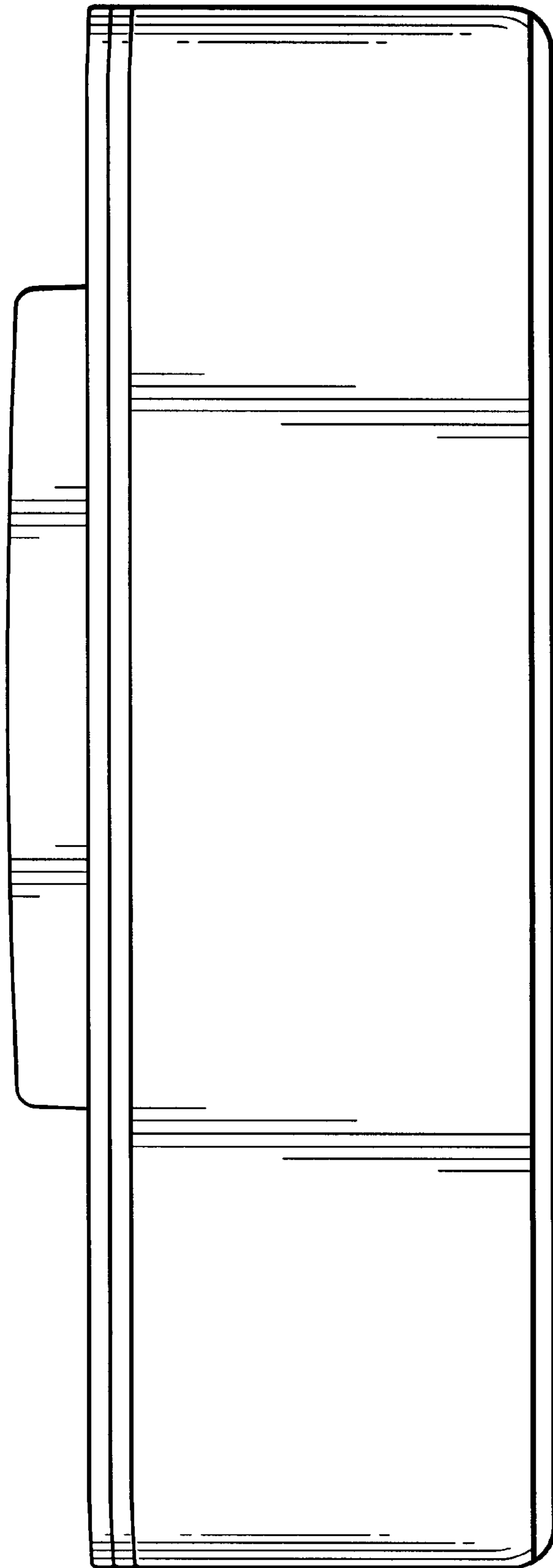


FIG.5

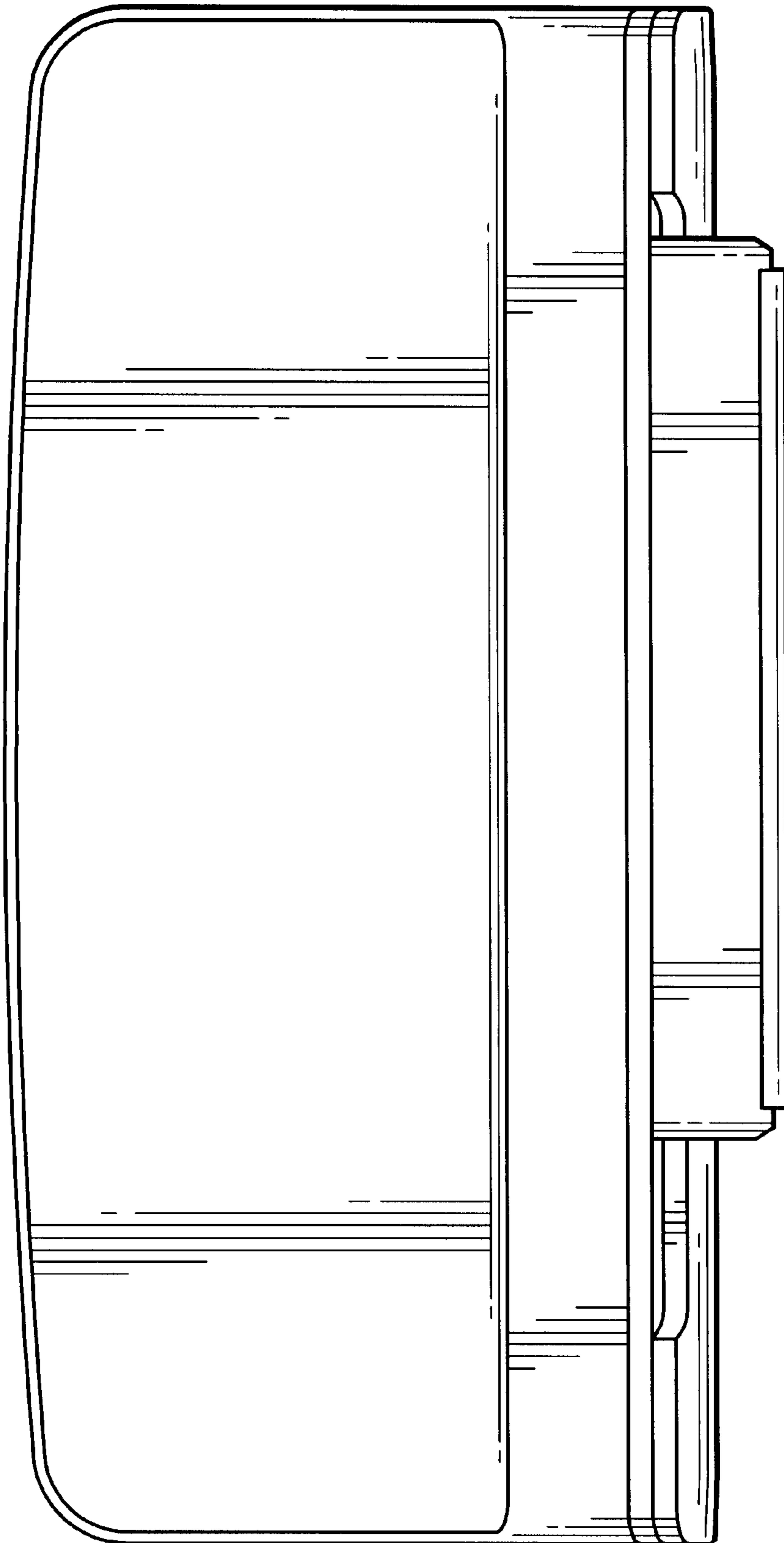


FIG.6