



US00D483059S

(12) **United States Design Patent**  
**Goh et al.**

(10) **Patent No.:** **US D483,059 S**

(45) **Date of Patent:** **\*\* Dec. 2, 2003**

(54) **COMBINED MEDIA HANDLING AND MATERIAL APPLICATOR PRINTER**

(75) Inventors: **Eng-Long Goh**, San Diego, CA (US);  
**Miquel Boleda**, San Diego, CA (US);  
**Michael D. Nelson**, Seattle, WA (US);  
**Keith William Kirkwood**, Bainbridge Island, WA (US)

(73) Assignee: **Hewlett-Packard Development Company, L.P.**, Houston, TX (US)

(\*\*) Term: **14 Years**

(21) Appl. No.: **29/168,765**

(22) Filed: **Oct. 7, 2002**

(51) **LOC (7) Cl.** ..... **14-02**

(52) **U.S. Cl.** ..... **D18/50**

(58) **Field of Search** ..... D18/50, 53, 54-55,  
D18/36-39, 14, 19, 20, 21; D14/420-425,  
462-470; 400/613, 613.1-613.4, 690.1-690.4,  
691-694

(56) **References Cited**

**U.S. PATENT DOCUMENTS**

D199,825 S	*	12/1964	Stevens et al.	.....	D18/54
D263,828 S	*	4/1982	Pemberton	.....	D18/54
D305,436 S		1/1990	Yoshioka et al.		
D307,440 S		4/1990	Omino et al.		
D315,172 S		3/1991	Lampe		
D315,360 S		3/1991	Tokuda et al.		
D316,869 S		5/1991	Sugawara et al.		
D316,870 S		5/1991	Sugawara et al.		
D318,066 S		7/1991	Moro		
D321,363 S		11/1991	Hirose et al.		

D321,530 S		11/1991	Takeda et al.		
D333,302 S	*	2/1993	Ebihara et al.	.....	D14/462
D338,271 S	*	8/1993	Yoshikawa et al.	.....	D18/50
D352,731 S		11/1994	Sugimoto		
D366,900 S	*	2/1996	Pangburn et al.	.....	D18/50
D369,617 S		5/1996	Sato		
D375,119 S	*	10/1996	Pangburn	.....	D18/50
D385,296 S		10/1997	Iwai et al.		
D390,594 S		2/1998	Sekine		
D424,102 S		5/2000	Igarashi		
D430,894 S		9/2000	Inoue		
D439,607 S		3/2001	Inoue et al.		
D444,170 S		6/2001	Ichi et al.		
D448,771 S		10/2001	Fetherolf et al.		
D460,479 S	*	7/2002	Bishop et al.	.....	D18/55
D463,485 S	*	9/2002	Yoshida et al.	.....	D18/50
D466,920 S	*	12/2002	Kawahara et al.	.....	D18/50

\* cited by examiner

*Primary Examiner*—Cathy Anne MacCormac

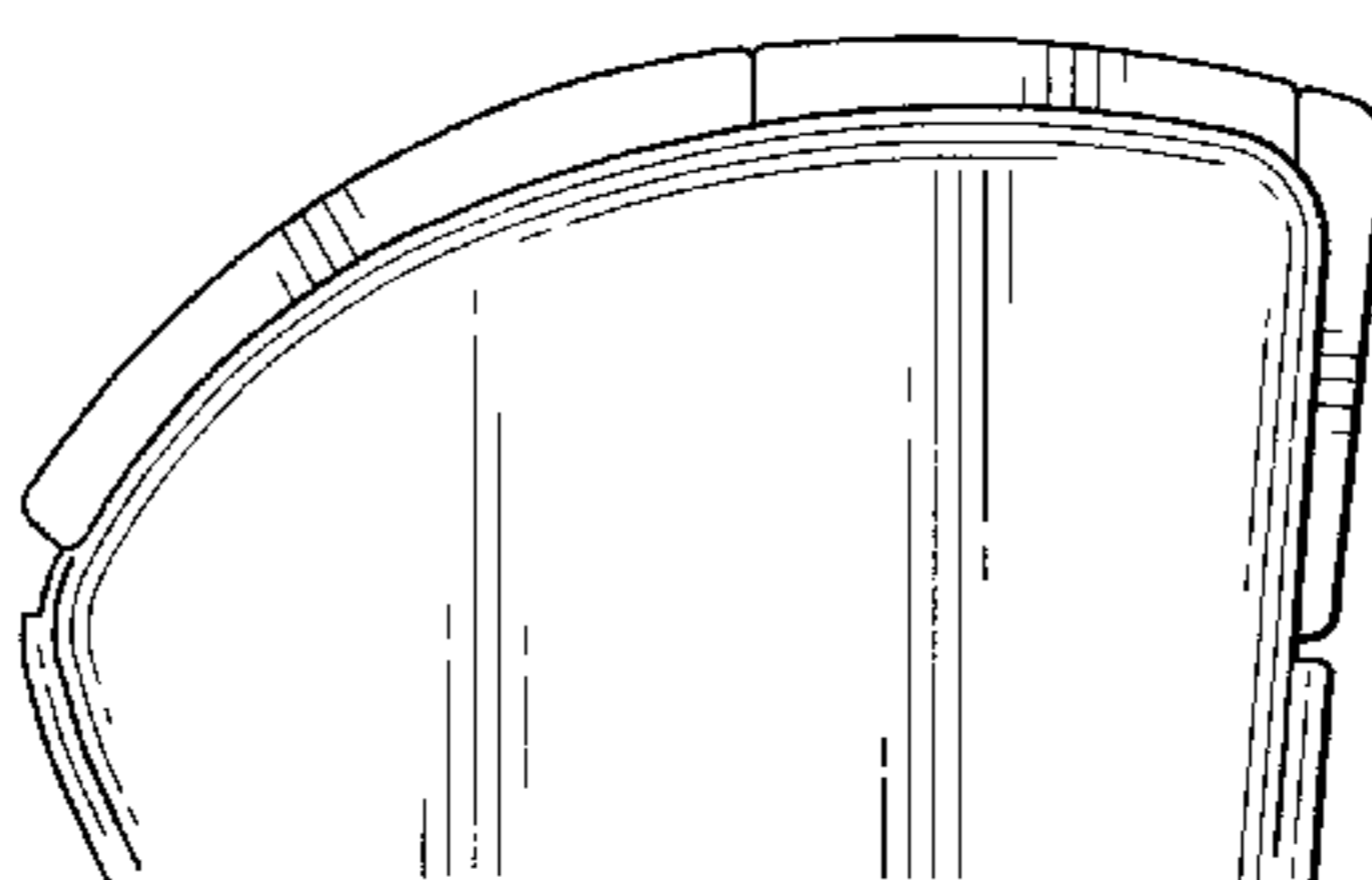
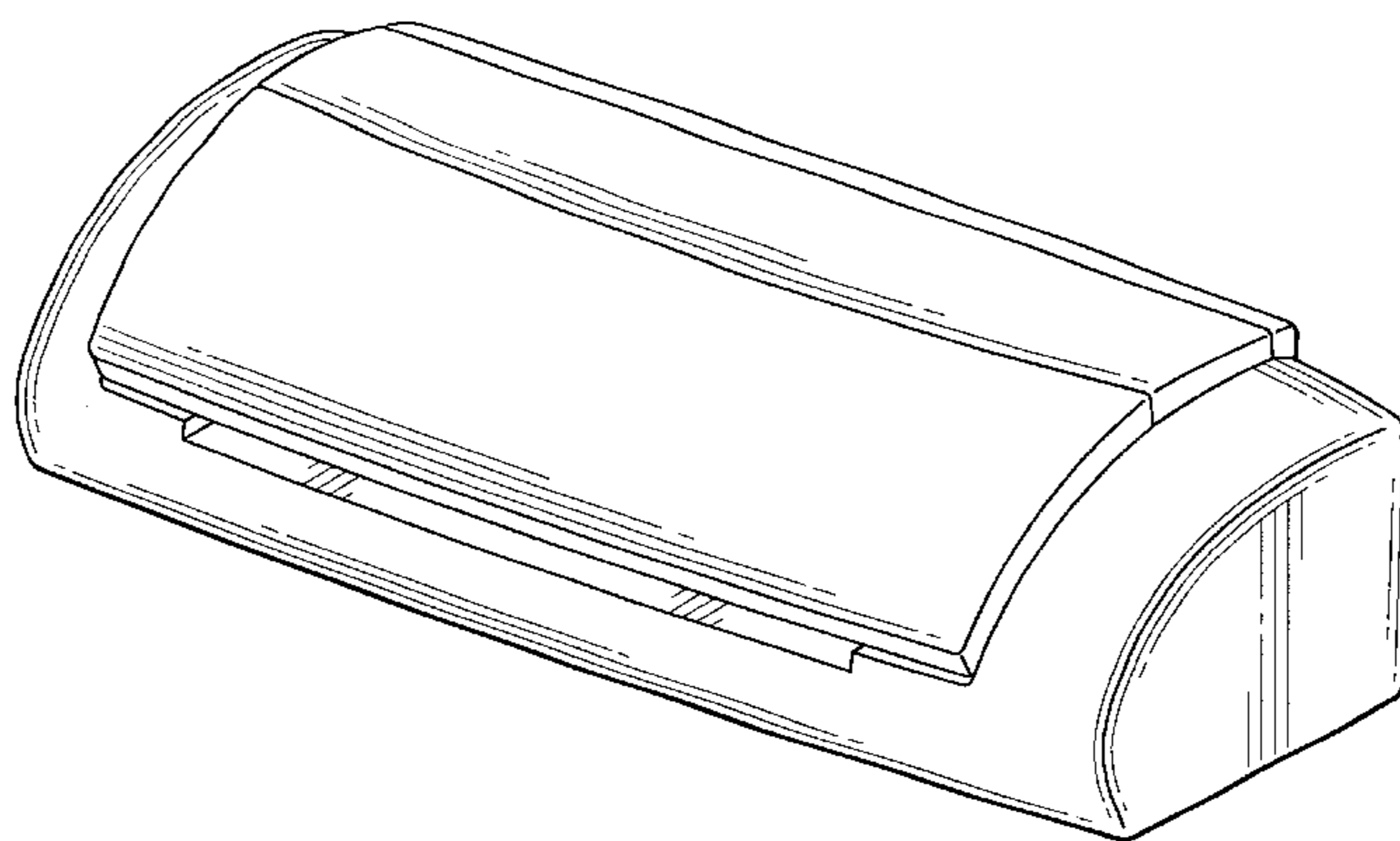
(57) **CLAIM**

The ornamental design for a combined media handling and material applicator printer, substantially as shown.

**DESCRIPTION**

FIG. 1 is a perspective view of a combined media handling and material applicator printer, in accordance with the present invention;  
FIG. 2 is a front view thereof;  
FIG. 3 is a top view thereof;  
FIG. 4 is a right side view thereof, the left side is a mirror image;  
FIG. 5 is a rear view thereof; and,  
FIG. 6 is a bottom view thereof.

**1 Claim, 3 Drawing Sheets**



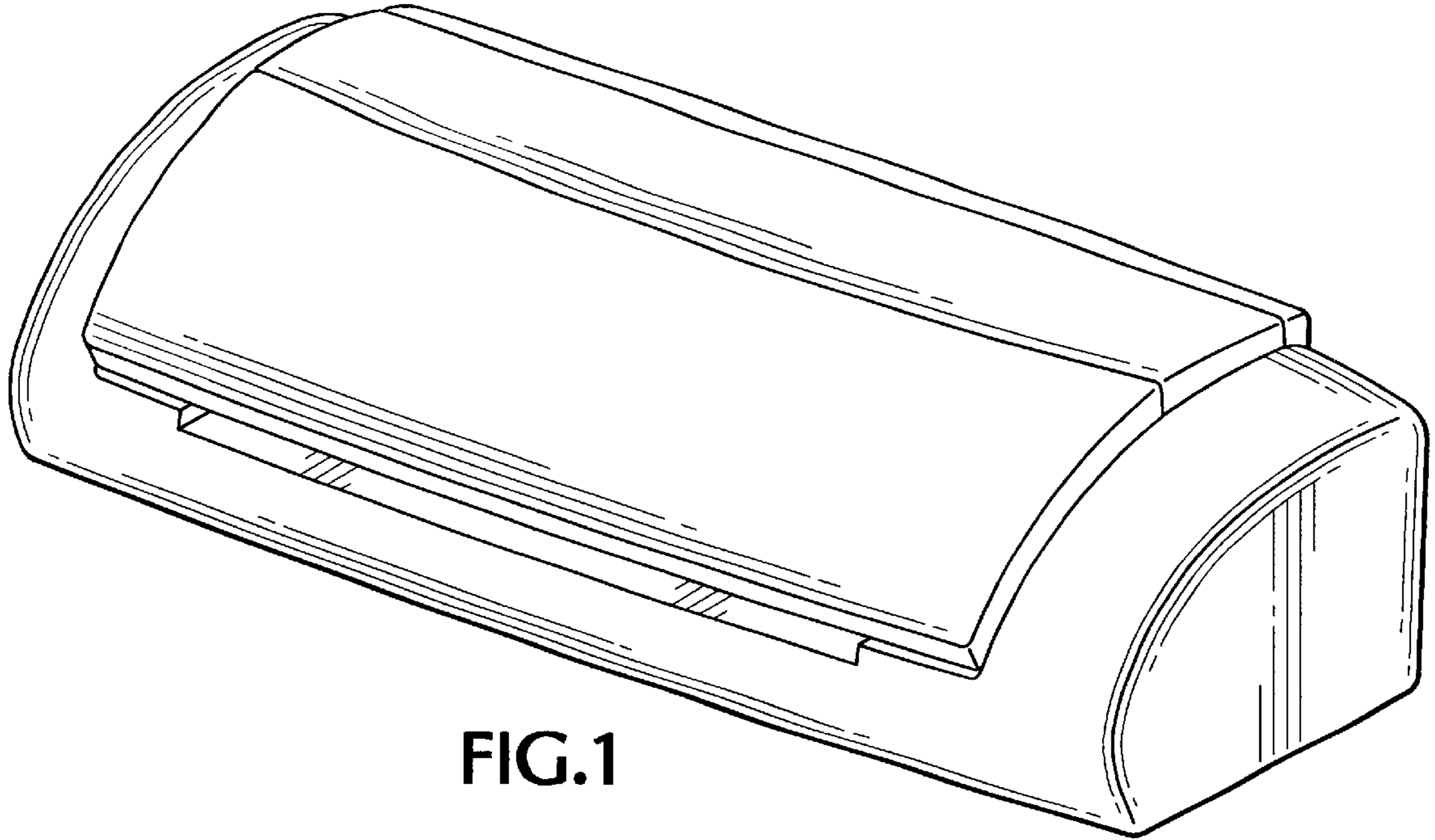


FIG. 1

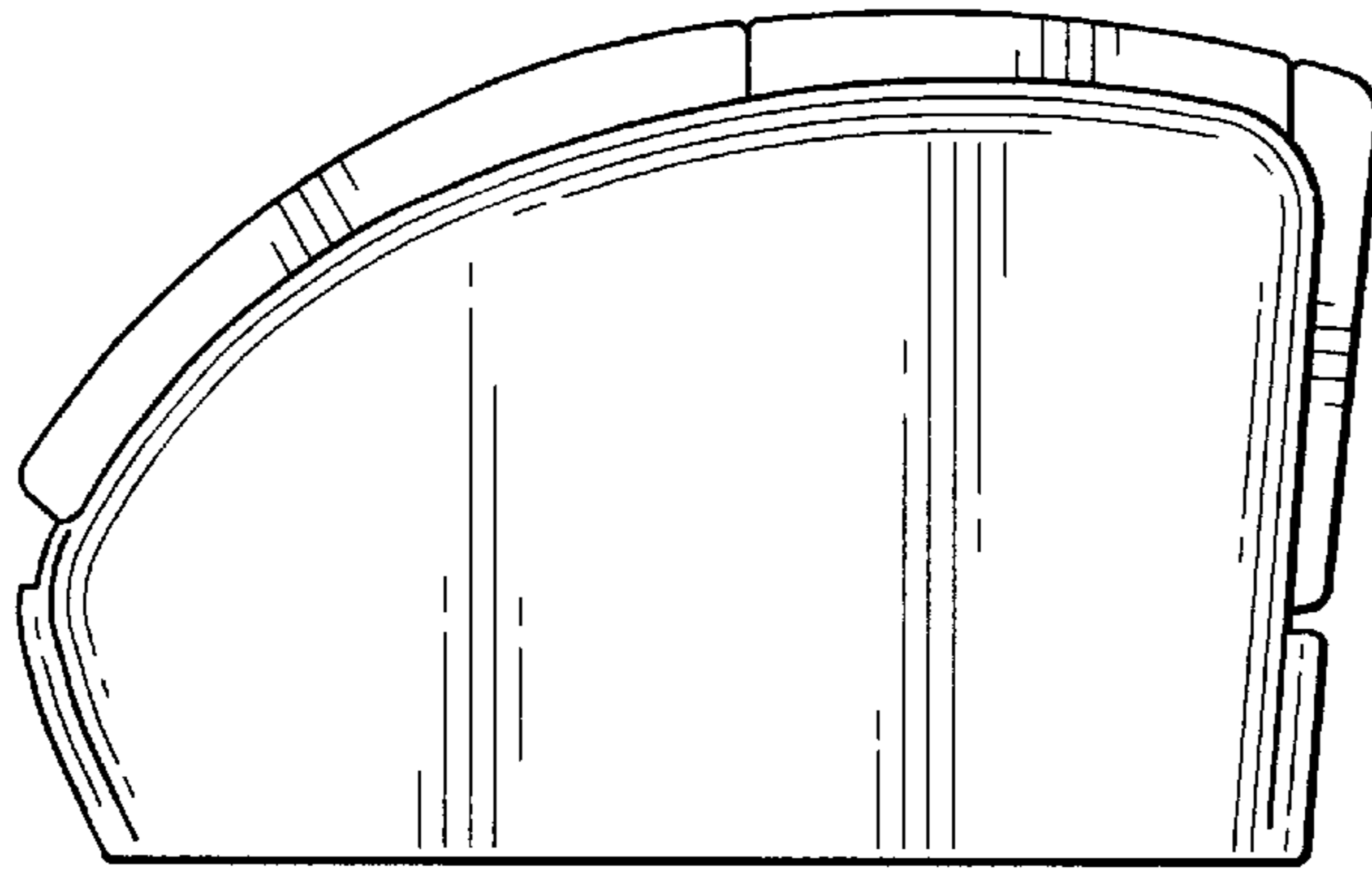


FIG. 4

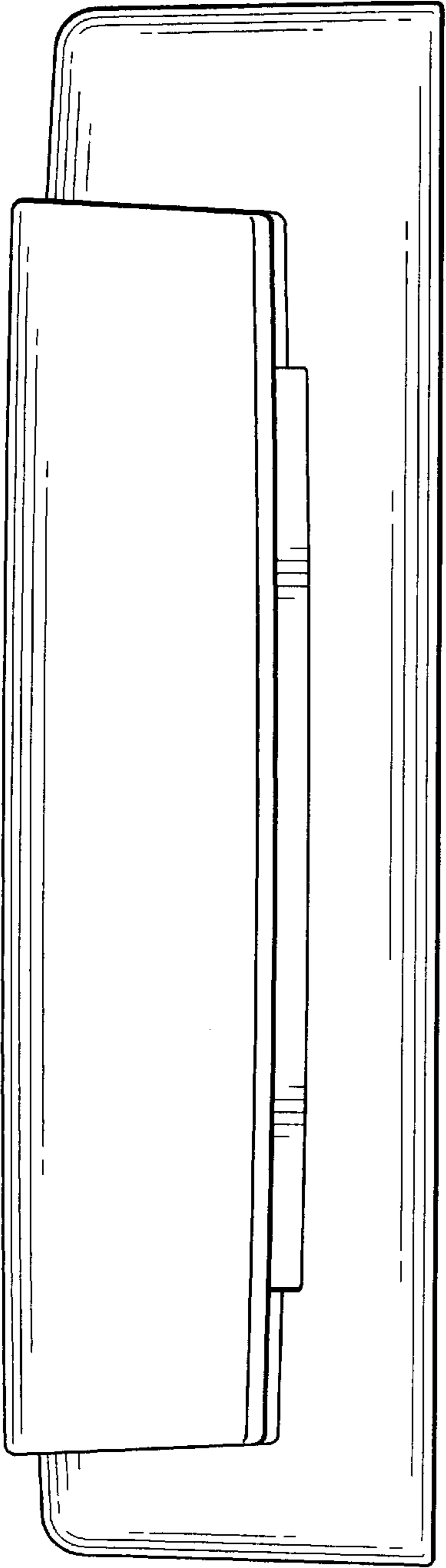


FIG. 2

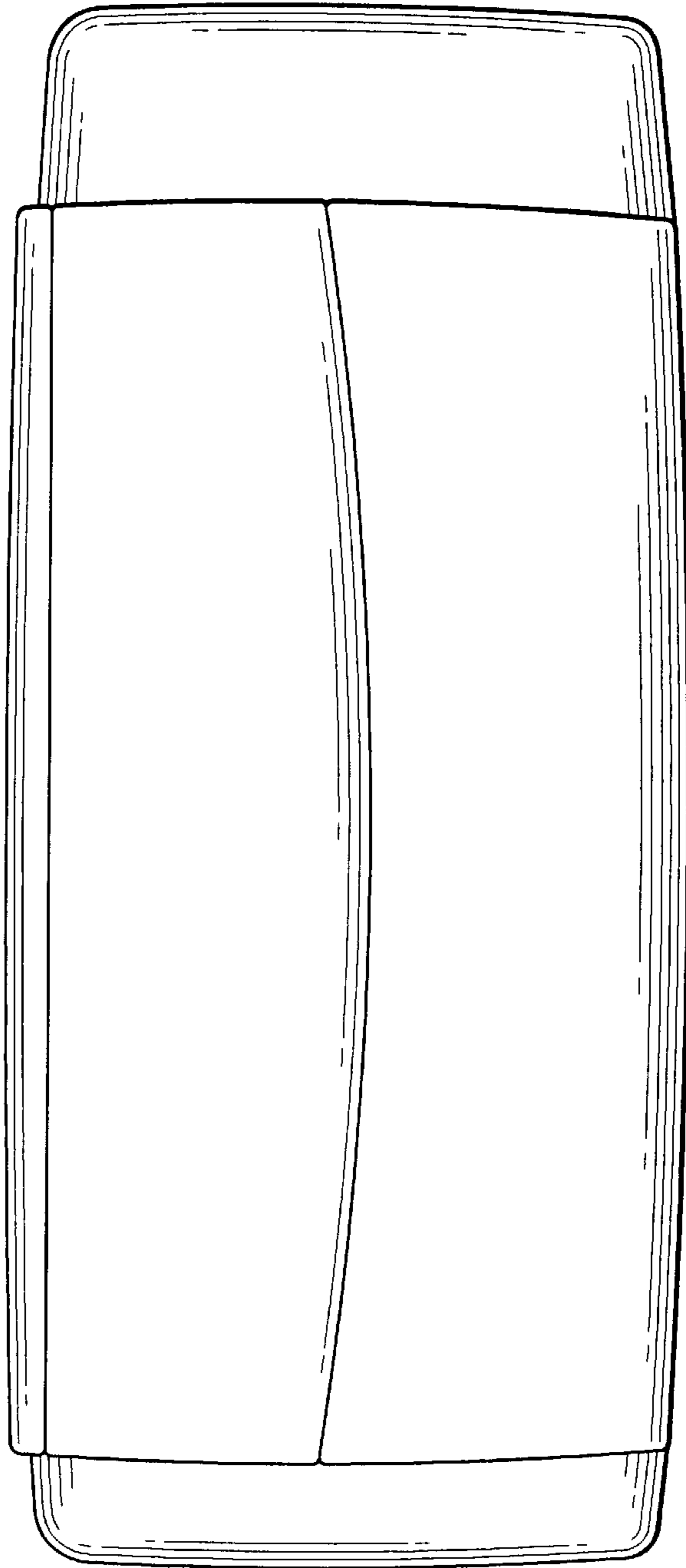


FIG. 3

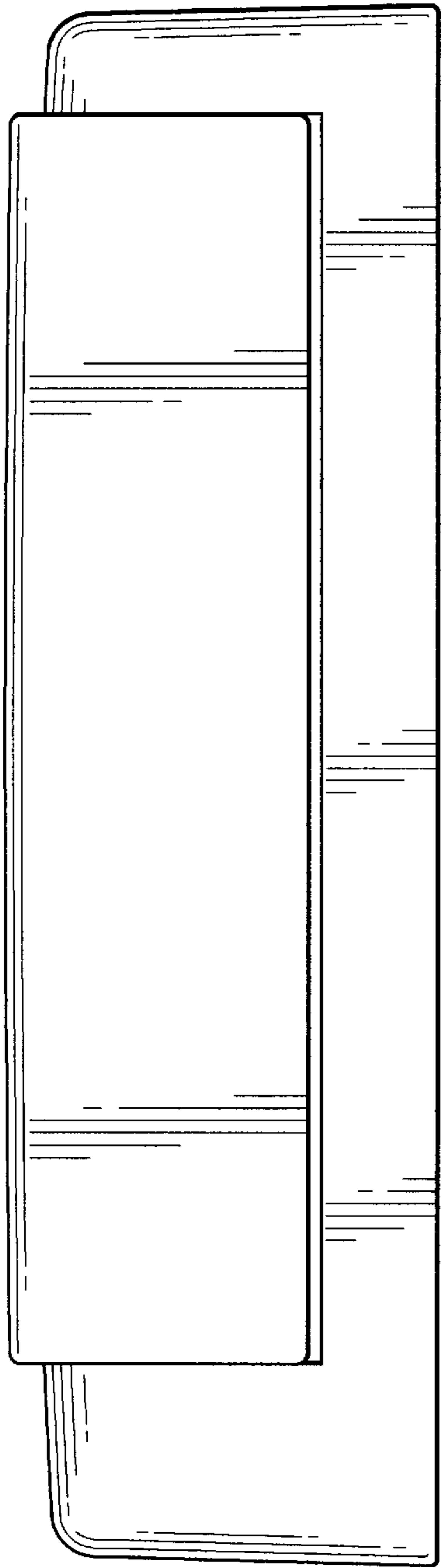


FIG. 5

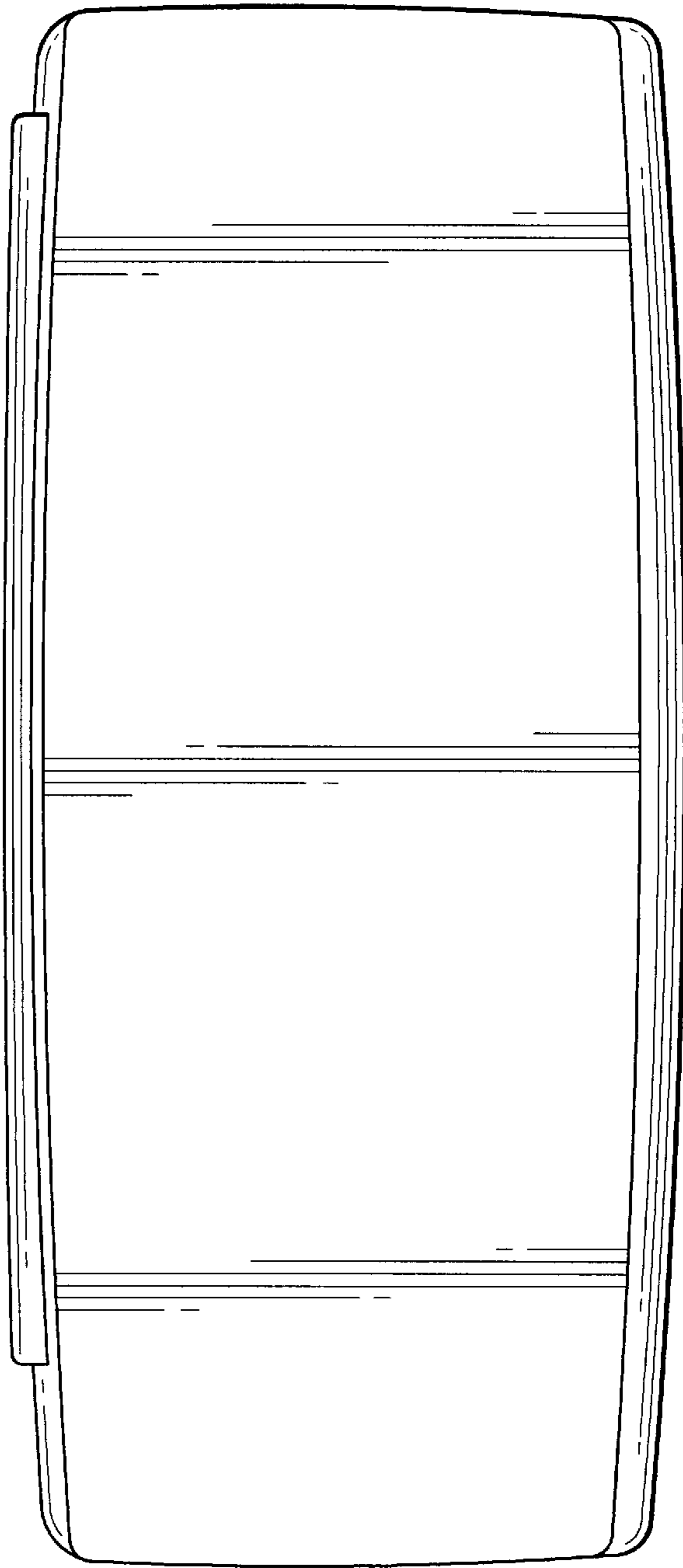


FIG. 6