



US00D483051S

(12) **United States Design Patent**  
**Tang**

(10) **Patent No.:** **US D483,051 S**

(45) **Date of Patent:** **\*\* Dec. 2, 2003**

(54) **PROJECTOR LIGHT DEVICE**

(75) **Inventor:** **Shih Chuan Tang, Chong Ho (TW)**

(73) **Assignee:** **Tons Enterprise Co., Ltd., Taipei Hsien (TW)**

(\*\*) **Term:** **14 Years**

(21) **Appl. No.:** **29/161,409**

(22) **Filed:** **May 25, 2002**

(51) **LOC (7) Cl.** ..... **16-02**

(52) **U.S. Cl.** ..... **D16/235**

(58) **Field of Search** ..... D16/221, 225,  
D16/235; D26/1; 352/198, 203; 353/29,  
73, 82, 119, 122

(56) **References Cited**

**U.S. PATENT DOCUMENTS**

D197,490 S \* 2/1964 Hipp, Jr. et al. .... D16/235  
D275,683 S \* 9/1984 Donnelly et al. .... D16/235

5,855,488 A \* 1/1999 Heintz et al. .... 353/119  
D420,455 S \* 2/2000 Haba et al. .... D26/1  
D424,089 S \* 5/2000 Takizawa ..... D16/221

\* cited by examiner

*Primary Examiner*—Adir Aronovich

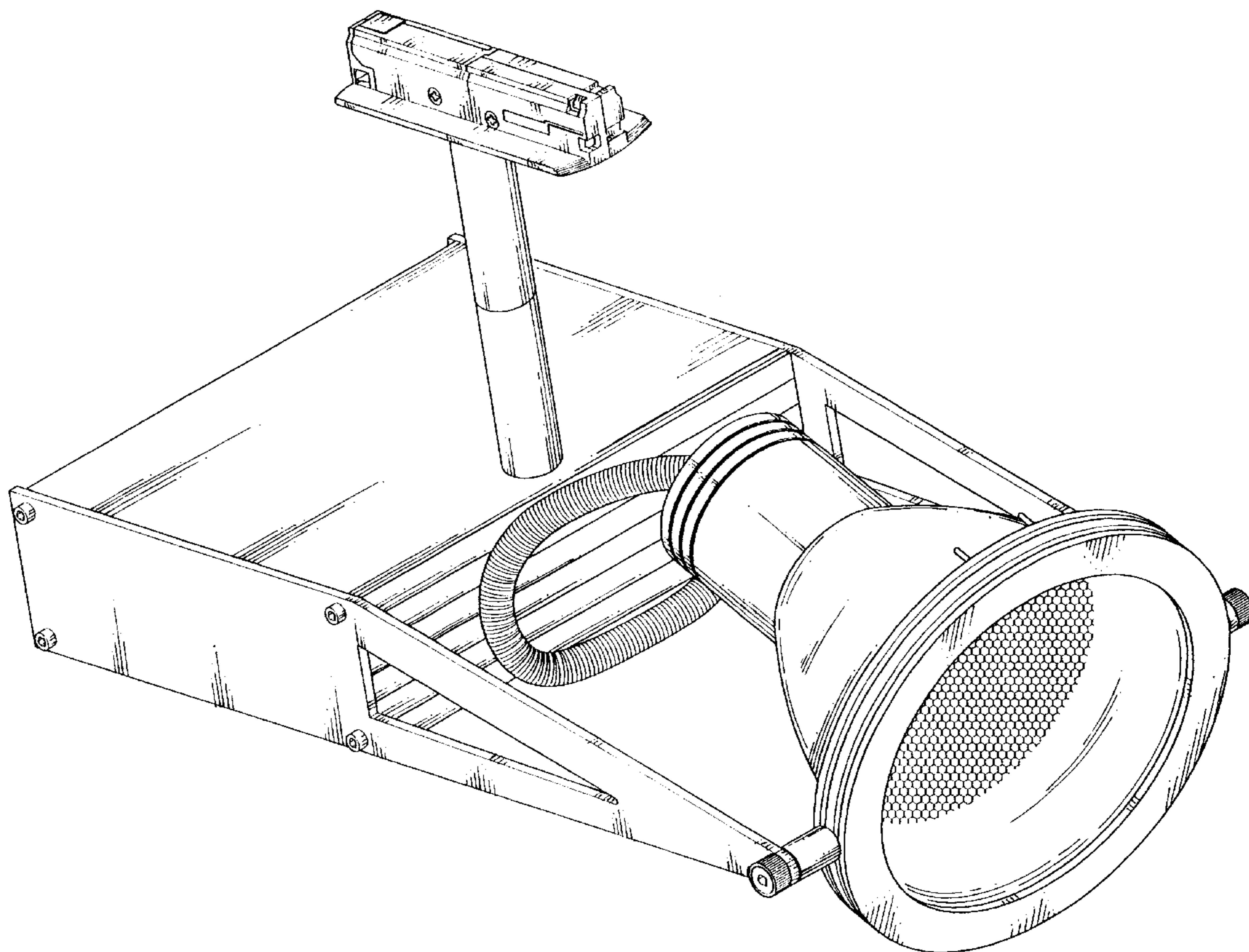
(57) **CLAIM**

The ornamental design for a projector light device, as shown and described.

**DESCRIPTION**

FIG. 1 is a perspective view of a projector light device showing my new design;  
FIG. 2 is a front elevational view thereof;  
FIG. 3 is a rear elevational view thereof;  
FIG. 4 is a left side elevational view thereof;  
FIG. 5 is a right side elevational view thereof;  
FIG. 6 is a top plan view thereof; and,  
FIG. 7 is a bottom plan view thereof.

**1 Claim, 5 Drawing Sheets**



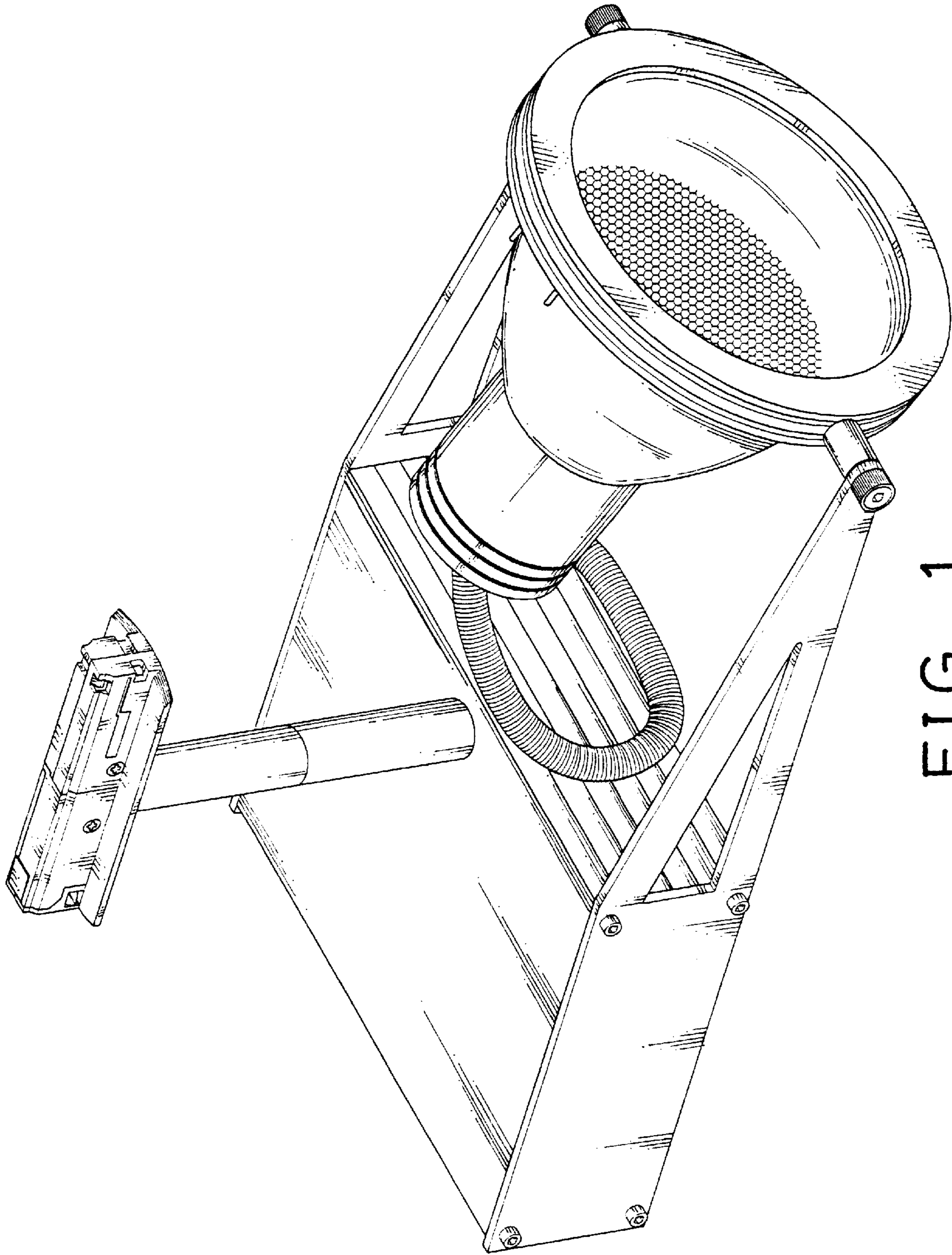


FIG. 1

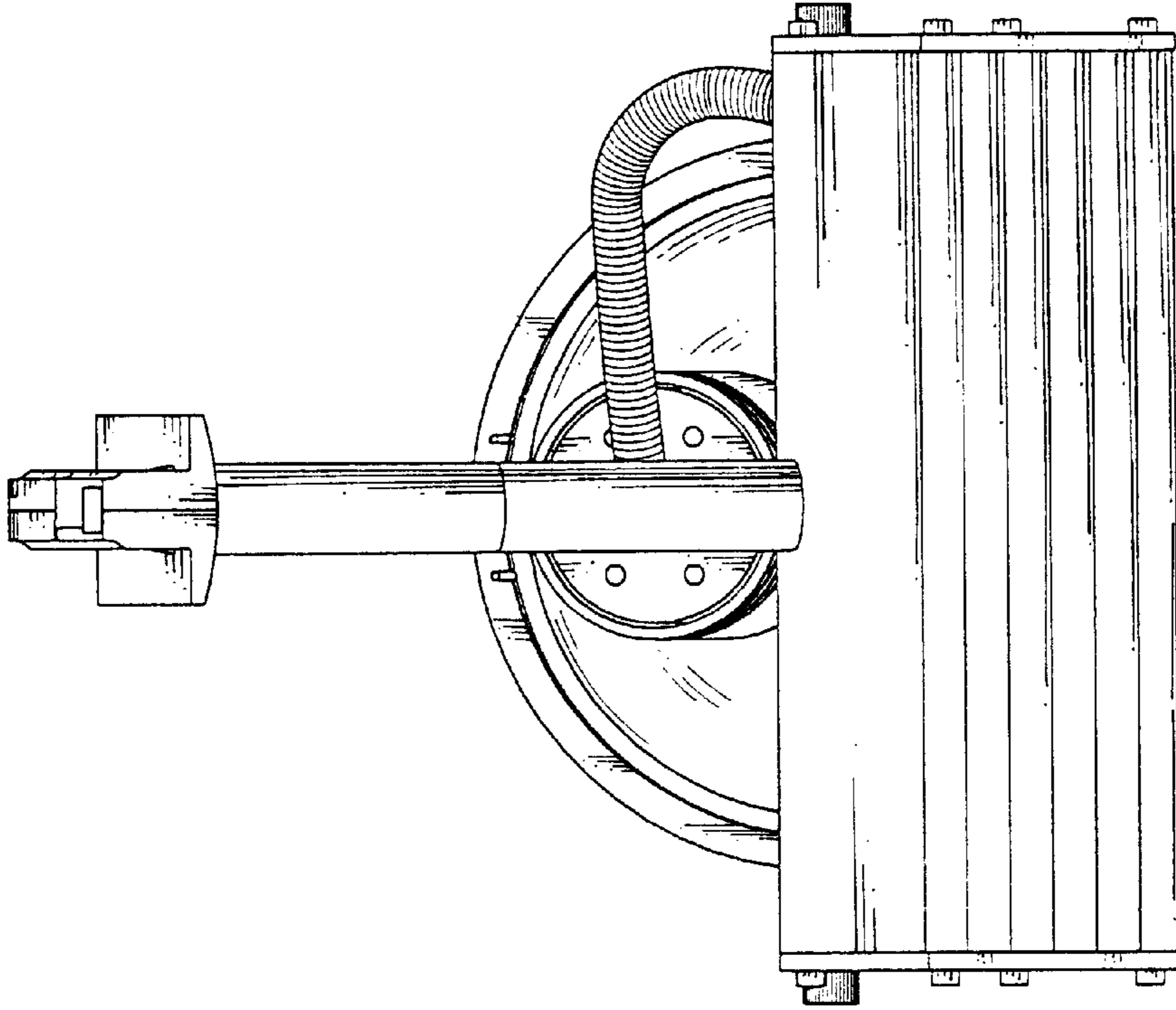


FIG. 3

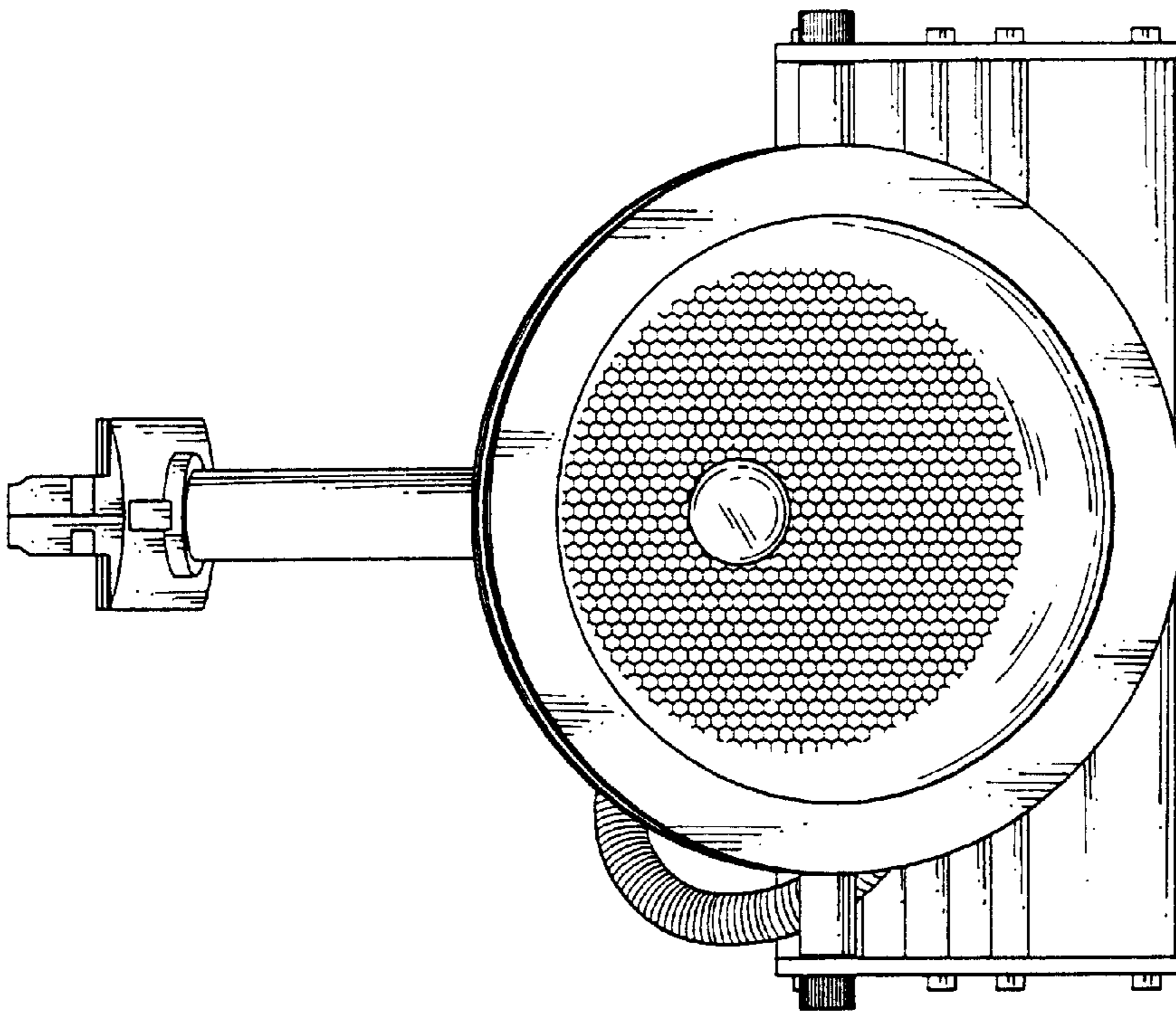


FIG. 2

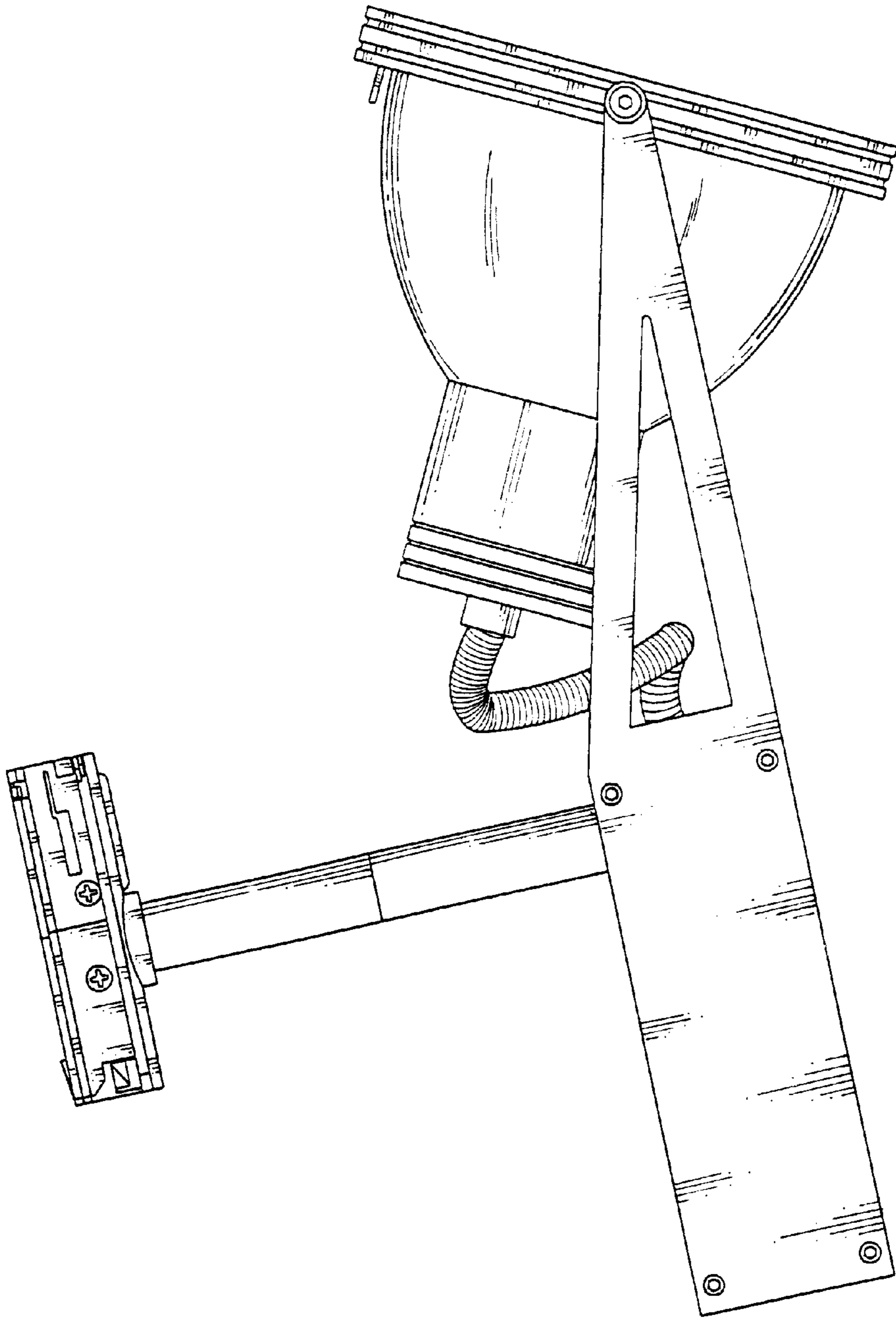


FIG. 4

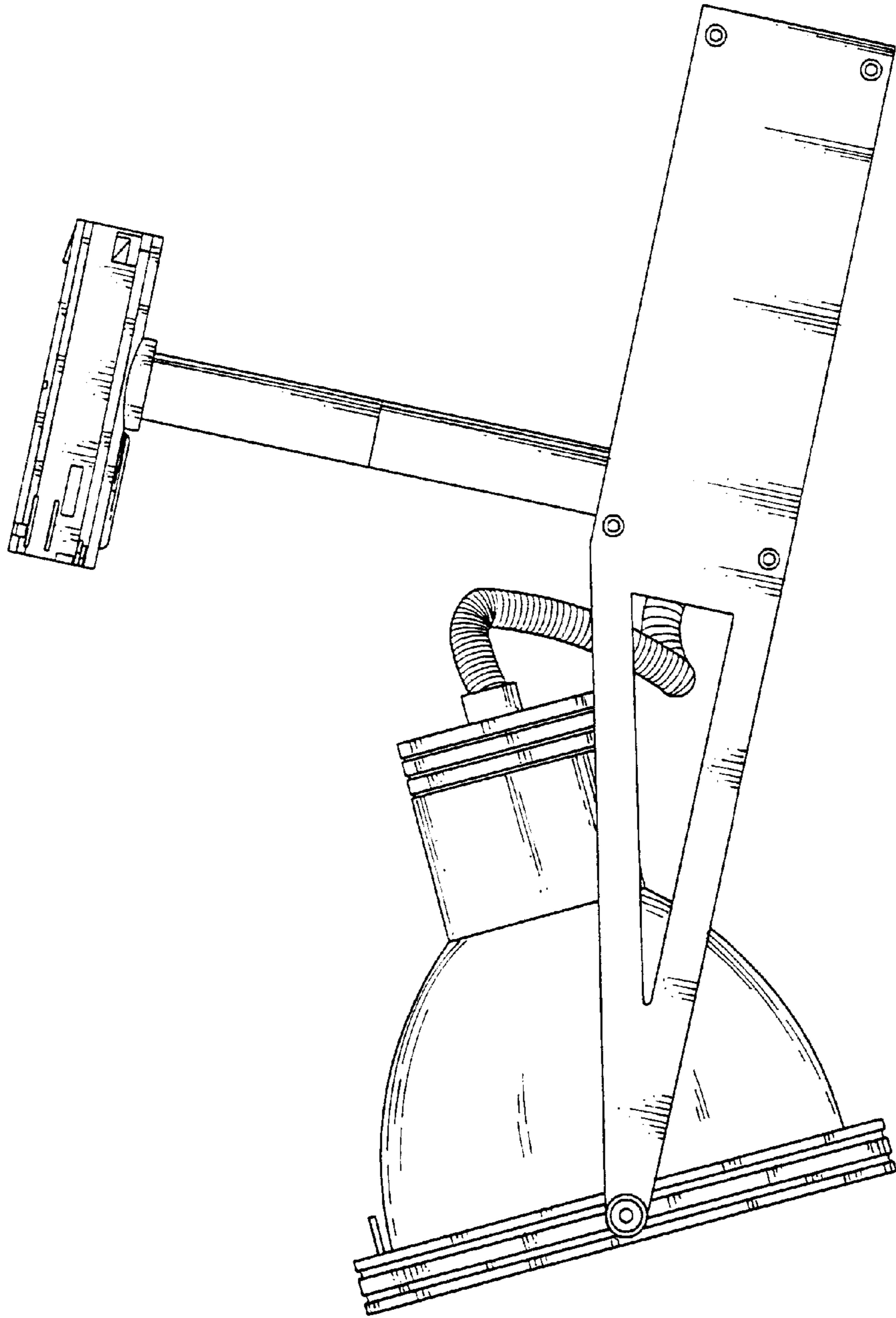


FIG. 5

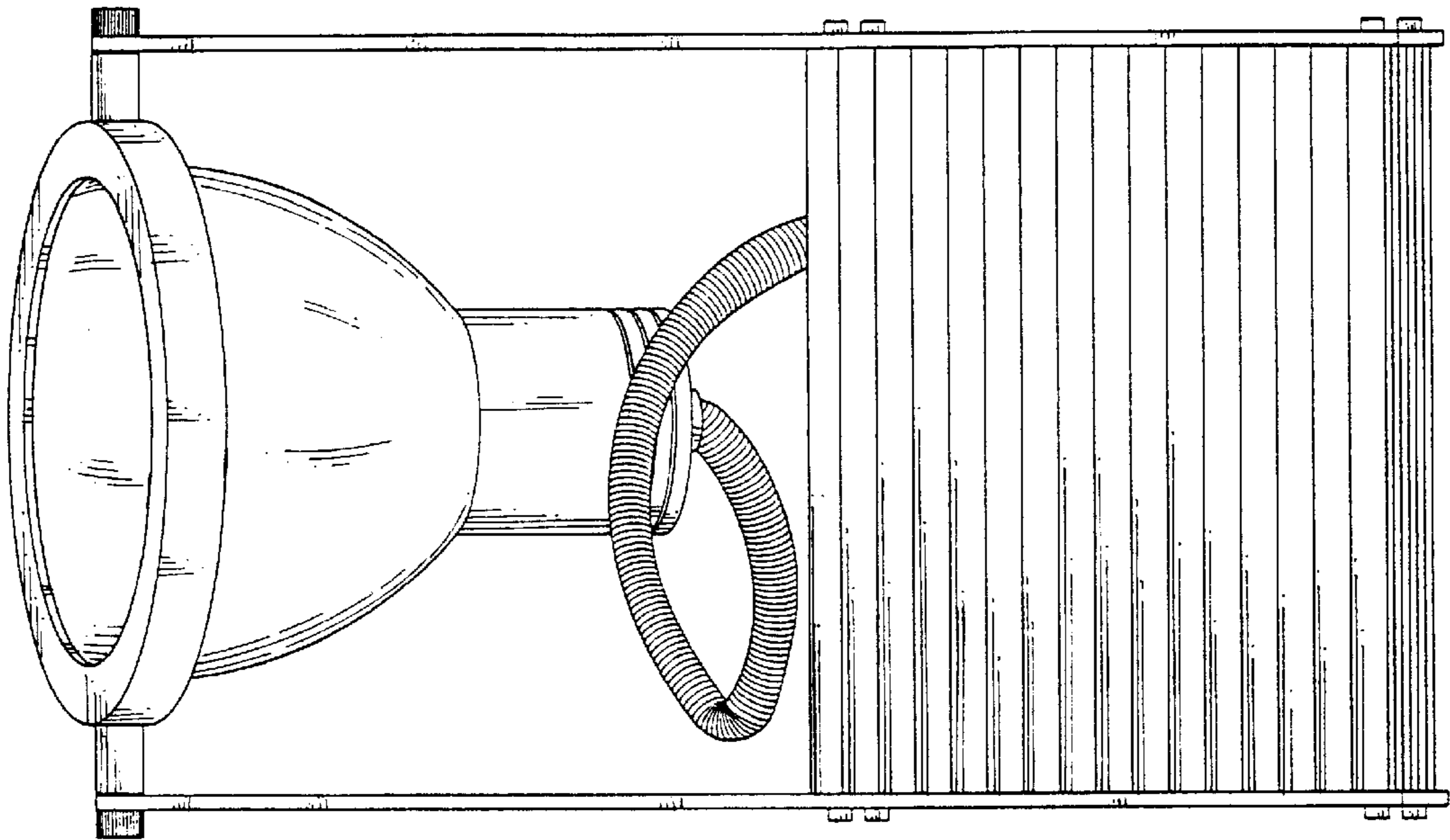


FIG. 7

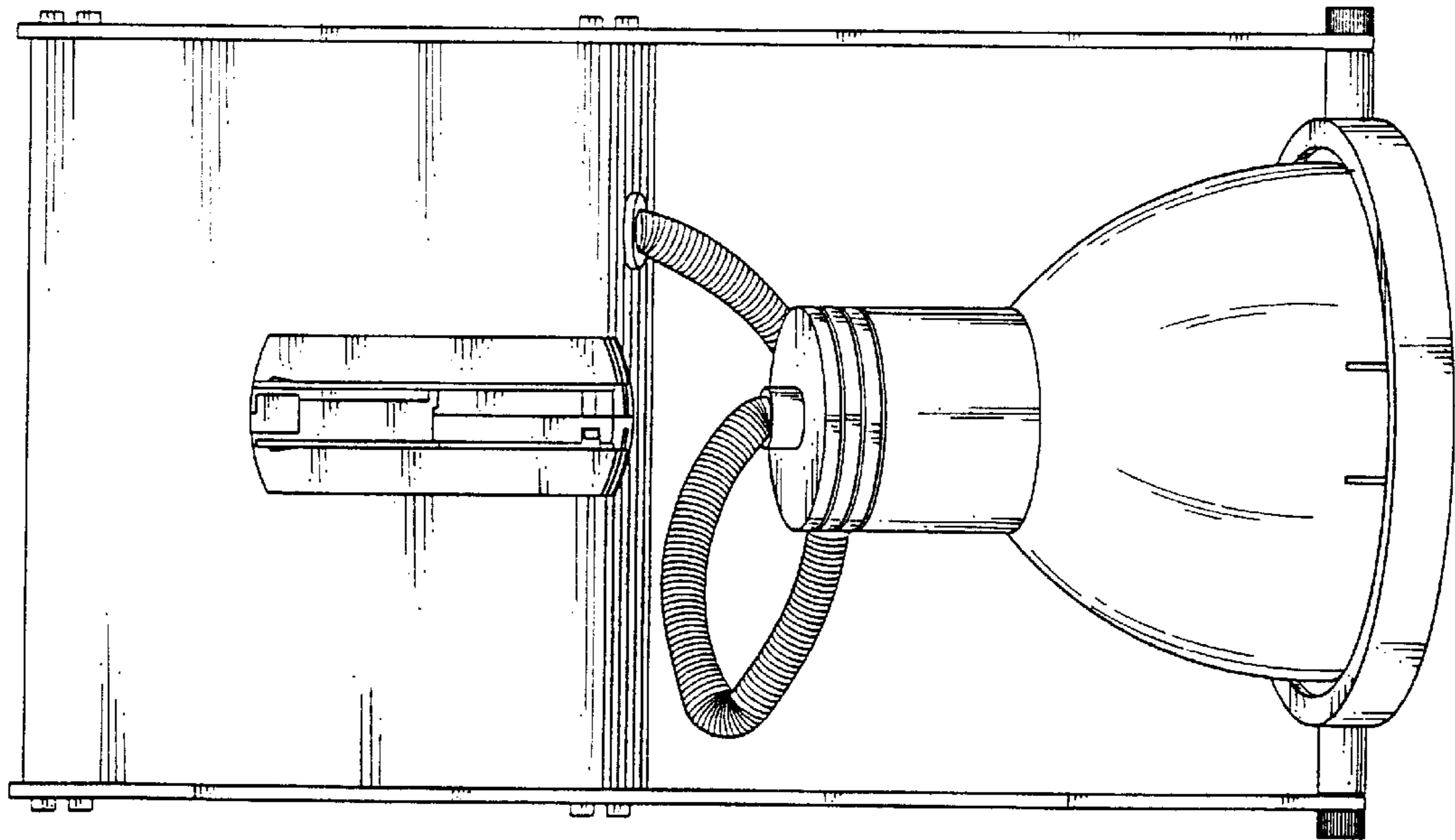


FIG. 6