



US00D483050S

(12) **United States Design Patent**
Kawai et al.

(10) **Patent No.:** **US D483,050 S**
(45) **Date of Patent:** **** Dec. 2, 2003**

(54) **CAMERA**

(75) Inventors: **Hideki Kawai**, Fujisawa (JP); **Hiroshi Komatsu**, Yokohama (JP)

(73) Assignee: **Canon Kabushiki Kaisha**, Tokyo (JP)

(**) Term: **14 Years**

(21) Appl. No.: **29/174,352**

(22) Filed: **Jan. 17, 2003**

(30) **Foreign Application Priority Data**

Jul. 17, 2002 (JP) 2002-019128

(51) **LOC (7) Cl.** **16-01**

(52) **U.S. Cl.** **D16/209**

(58) **Field of Search** D16/200-205,
D16/208, 209, 212, 218; 396/6, 535, 536-541

(56) **References Cited**

U.S. PATENT DOCUMENTS

- 5,897,234 A * 4/1999 Tanaka 396/536
- D410,482 S 6/1999 Kawai D16/218
- D431,830 S * 10/2000 Koinuma D16/209
- D438,228 S * 2/2001 Hamamura D16/209

- D446,536 S * 8/2001 Kim D16/209
- D448,786 S 10/2001 Kawai D16/209
- D448,788 S 10/2001 Kawai D16/218
- D456,438 S 4/2002 Kawai D16/218
- D466,914 S * 12/2002 Kumakura D16/202
- 6,542,700 B2 * 4/2003 Ito 396/535
- D474,797 S * 5/2003 Komatsu D16/218

* cited by examiner

Primary Examiner—Adir Aronovich

(74) *Attorney, Agent, or Firm*—Fitzpatrick, Cella, Harper & Scinto

(57) **CLAIM**

The ornamental design for a camera, as shown and described.

DESCRIPTION

FIG. 1 is a front view of a camera showing our new design; FIG. 2 is a rear view thereof; FIG. 3 is a top plan view thereof; FIG. 4 is a bottom plan view thereof; FIG. 5 is a left side view thereof; FIG. 6 is a right side view thereof; and, FIG. 7 is a perspective view thereof.

1 Claim, 4 Drawing Sheets

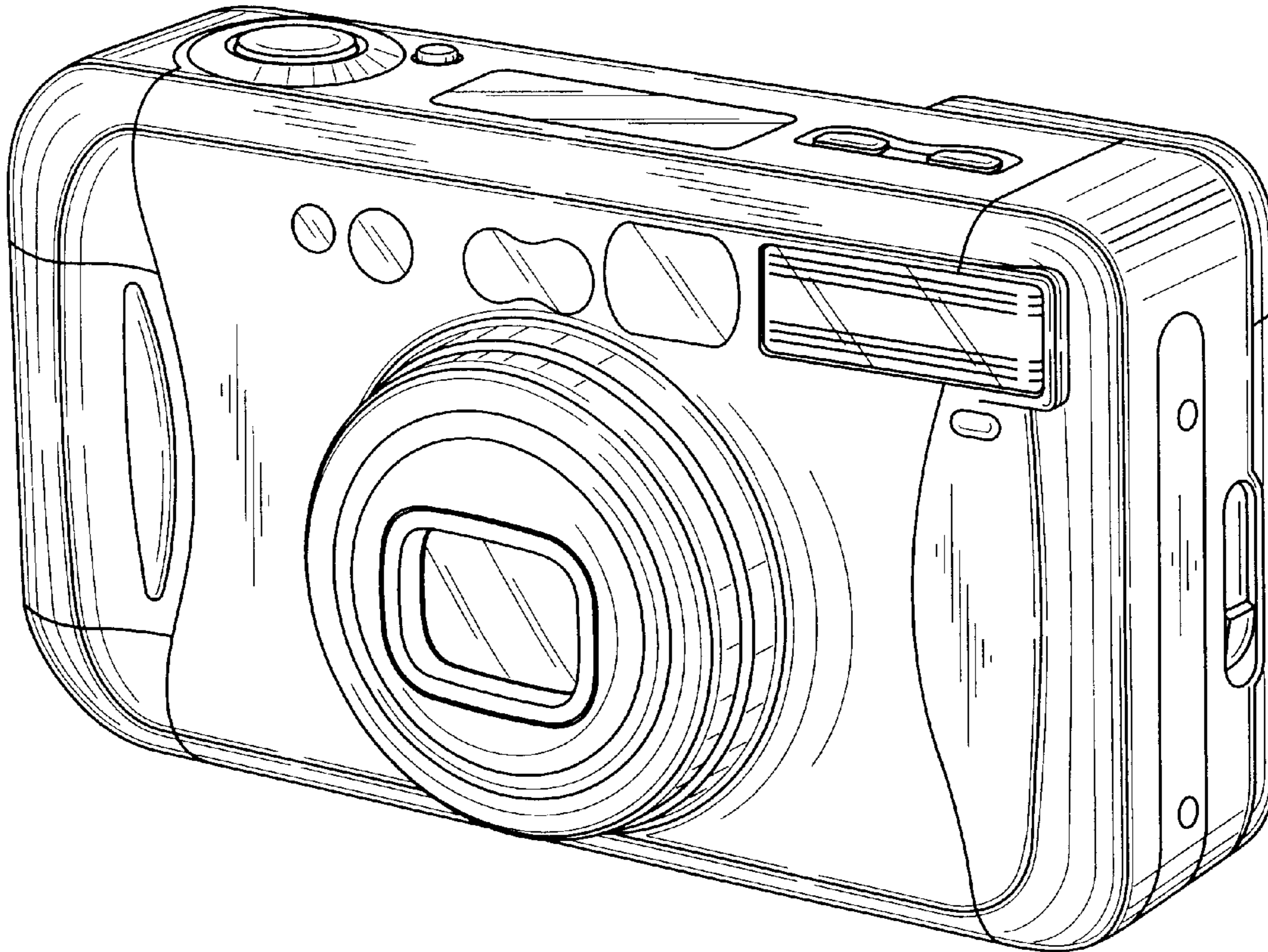


FIG. 1

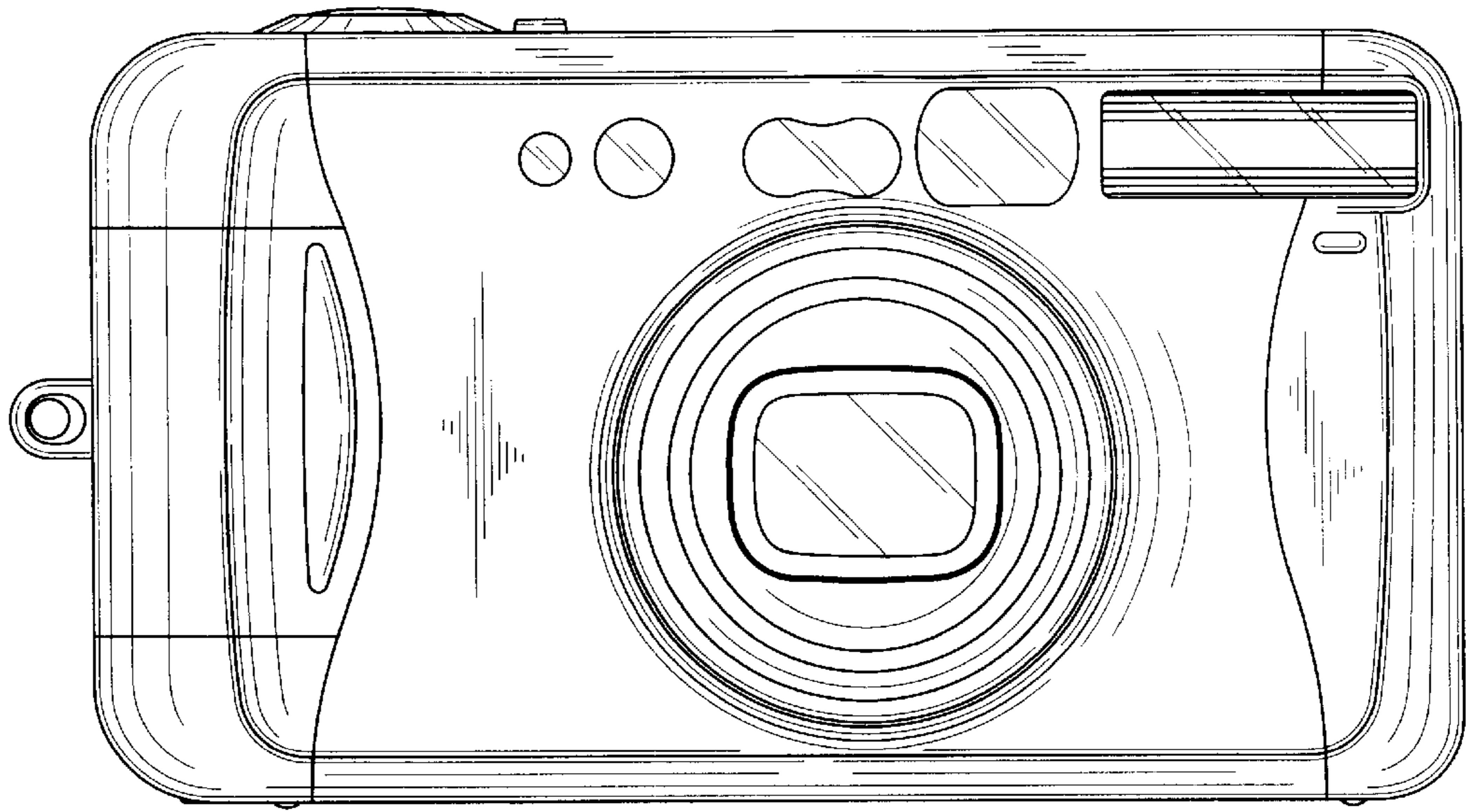


FIG. 2

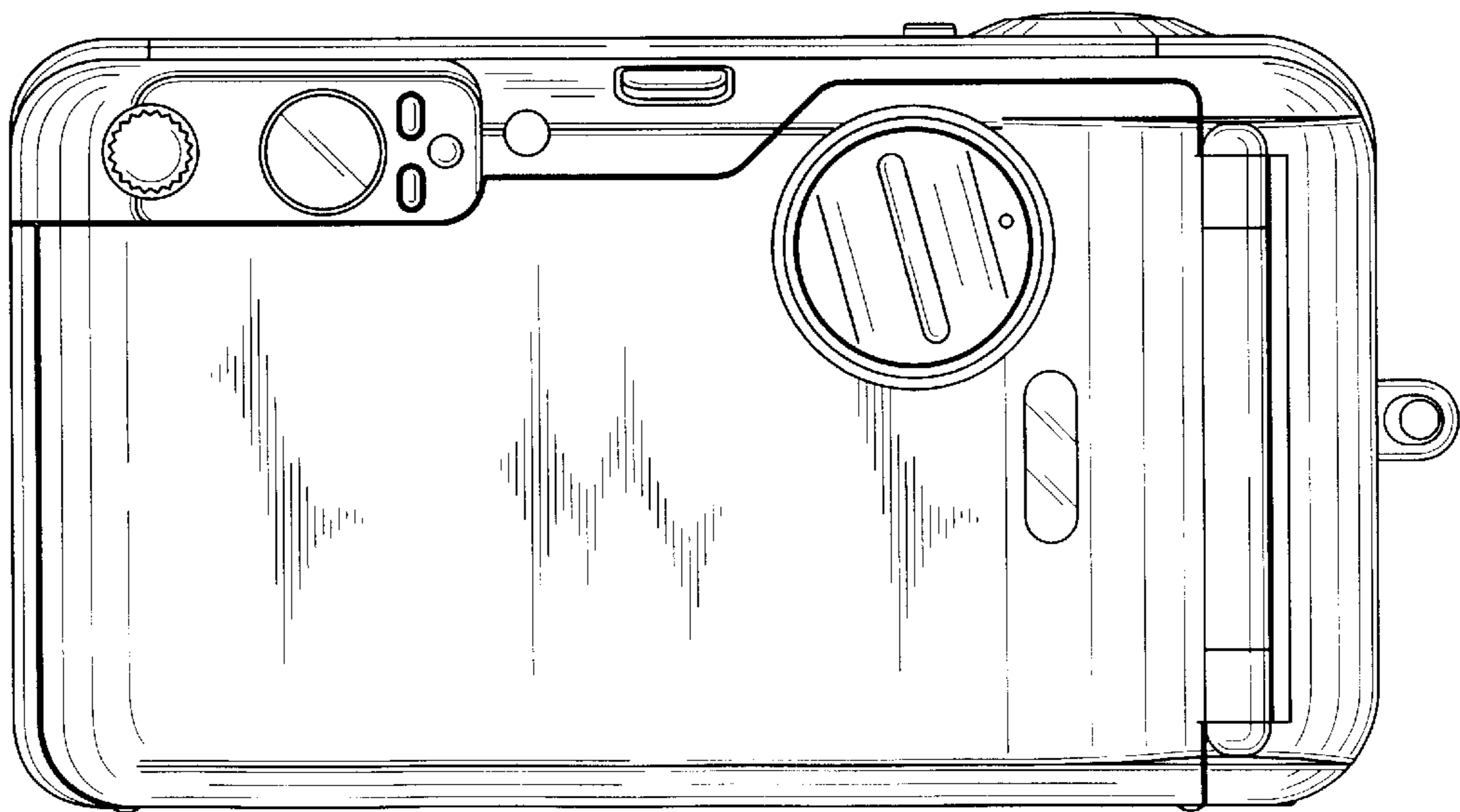


FIG. 3

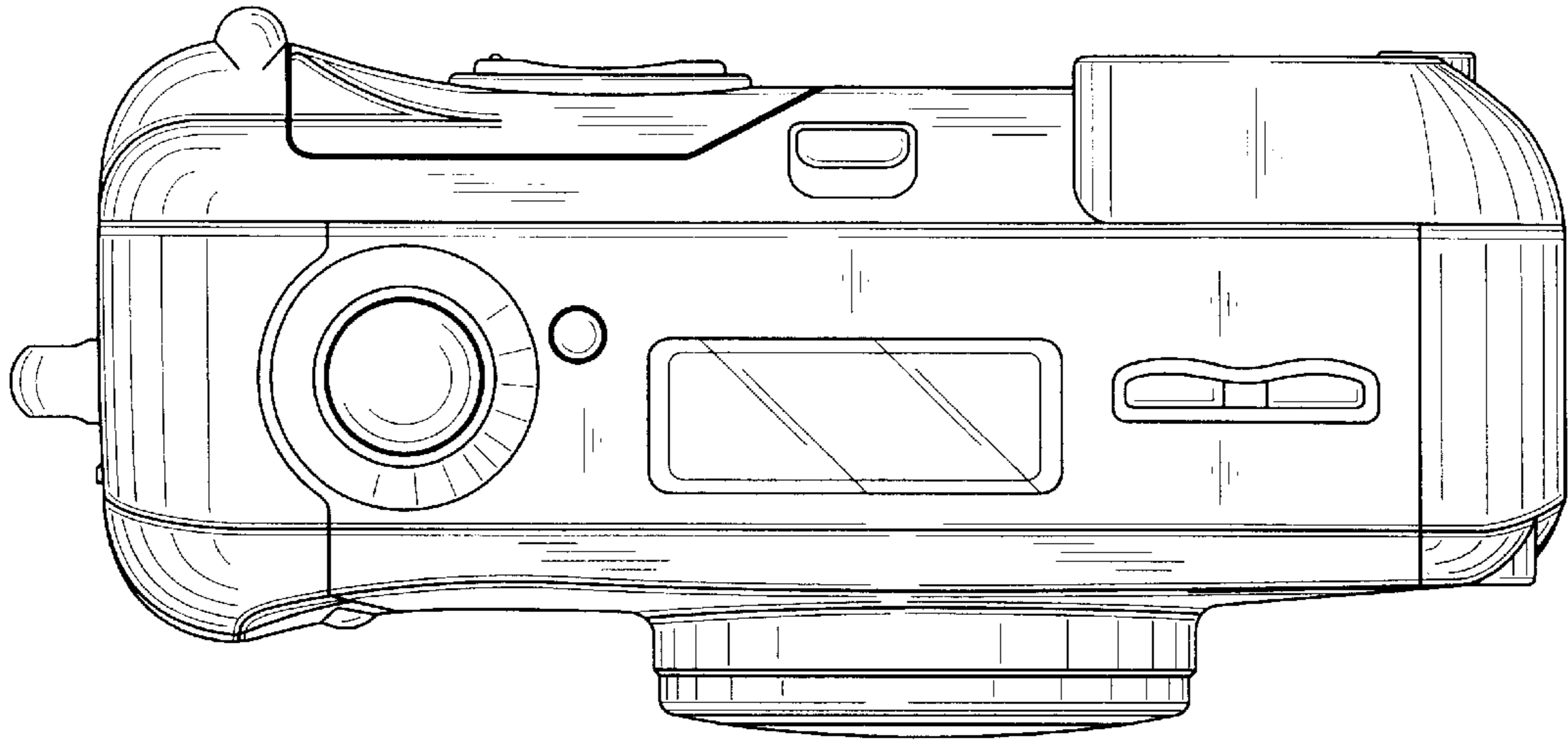


FIG. 4

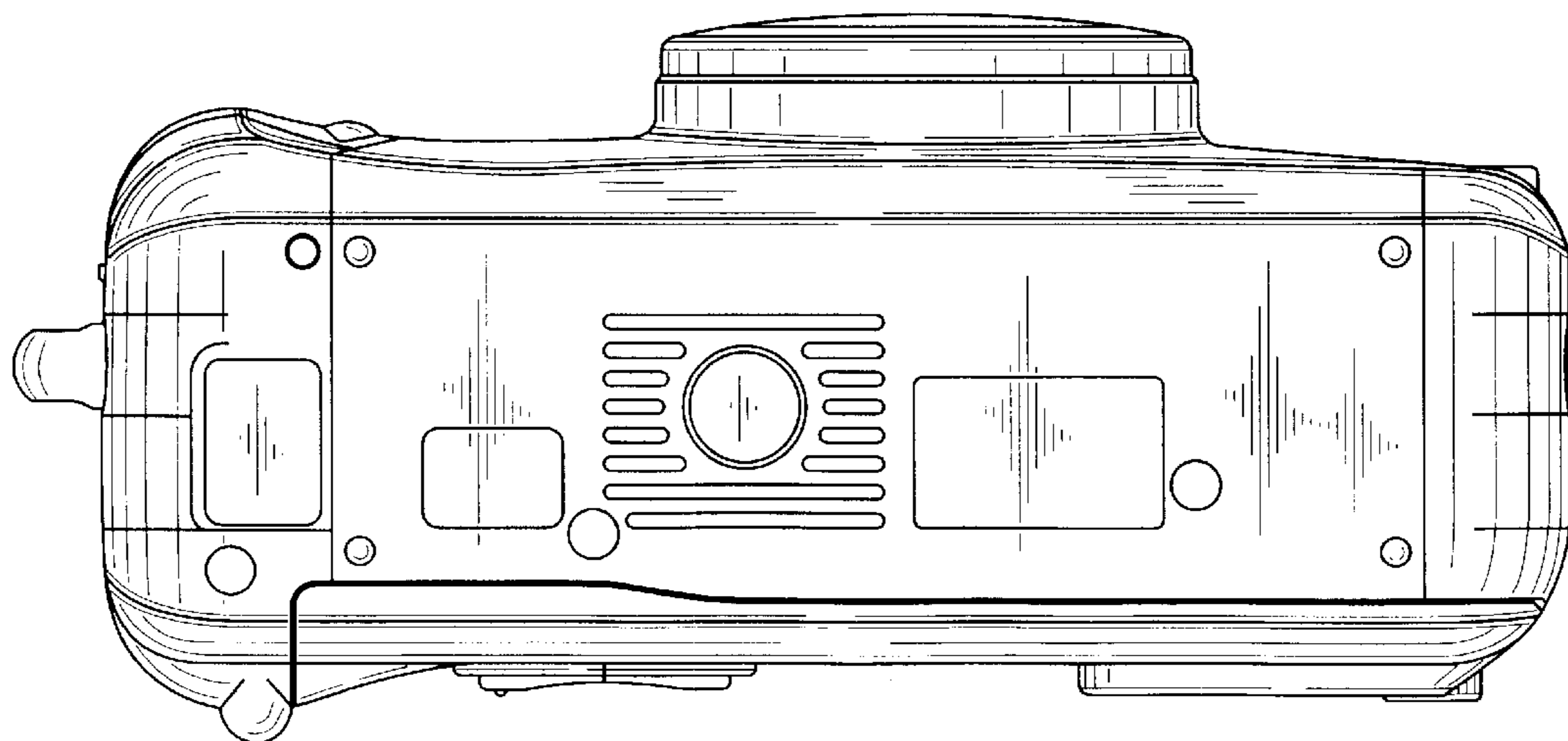


FIG. 5

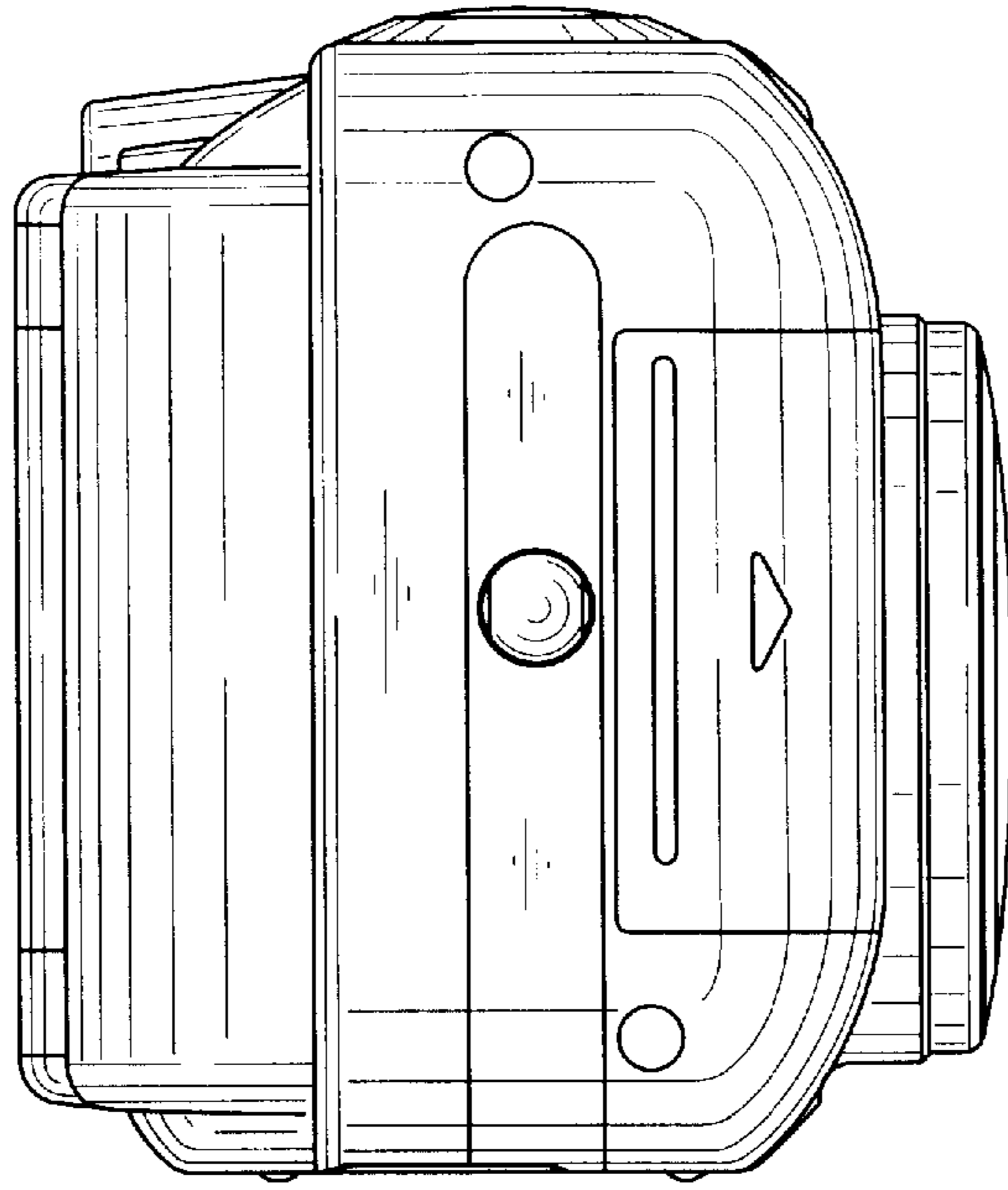


FIG. 6

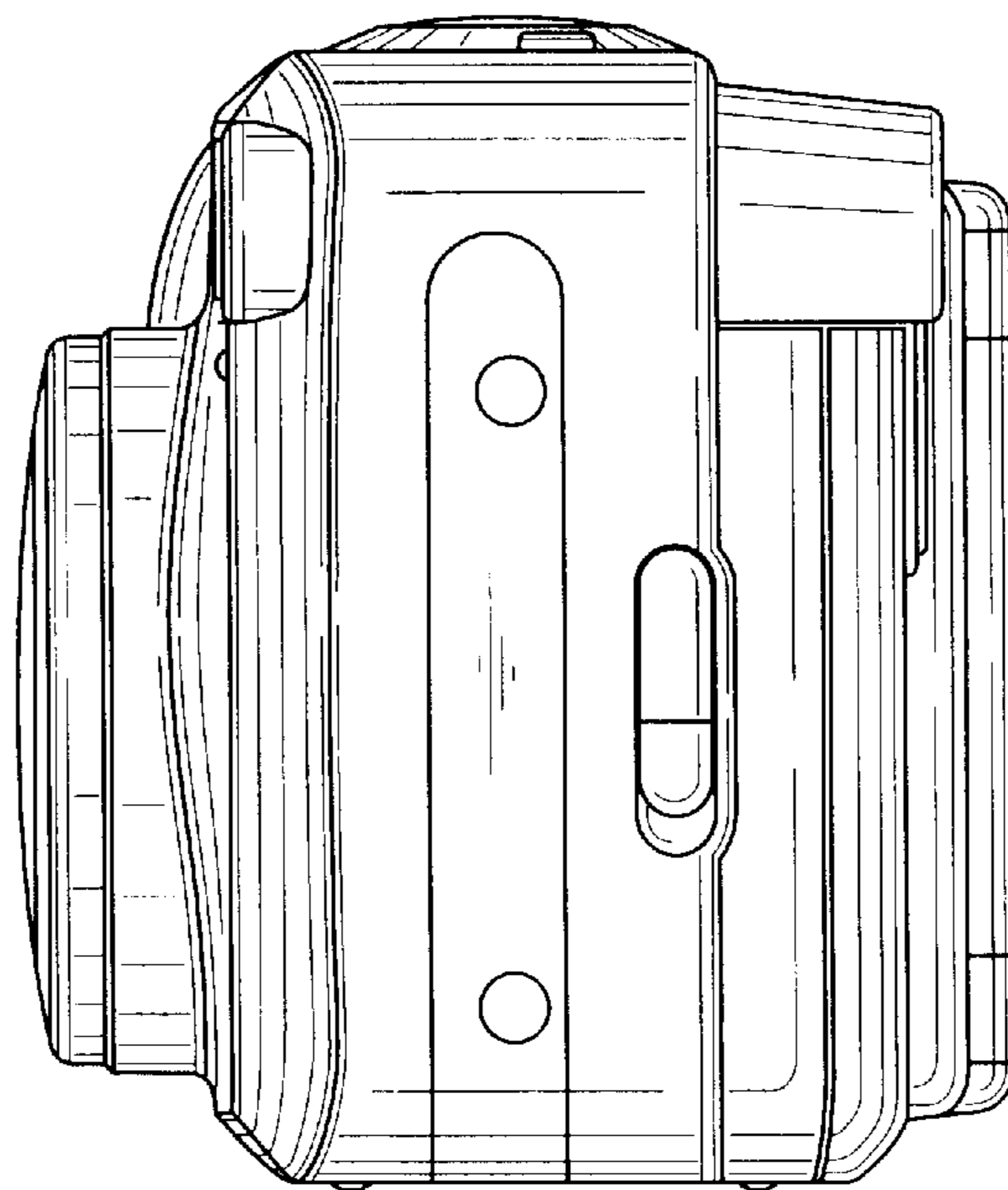


FIG. 7

