



US00D483049S

(12) **United States Design Patent**  
**Hsieh**

(10) **Patent No.:** **US D483,049 S**

(45) **Date of Patent:** **\*\* Dec. 2, 2003**

(54) **DIGITAL CAMERA**

(75) Inventor: **Chung-Lin Hsieh**, Taipei (TW)

(73) Assignee: **Inventec Multimedia & Telecom Corporation**, Taipei (TW)

(\*\*) Term: **14 Years**

(21) Appl. No.: **29/169,184**

(22) Filed: **Oct. 17, 2002**

(30) **Foreign Application Priority Data**

Aug. 15, 2002 (TW) ..... 91304460

(51) **LOC (7) Cl.** ..... **16-01**

(52) **U.S. Cl.** ..... **D16/202; D16/218**

(58) **Field of Search** ..... **D16/200-205, D16/208, 209, 218; 348/373-376; 358/909.1; 396/429, 535-541**

(56) **References Cited**

**U.S. PATENT DOCUMENTS**

D349,110 S \* 7/1994 Ohno ..... D16/202  
D426,842 S \* 6/2000 Suzuki et al. .... D16/202

D442,614 S \* 5/2001 Sumita ..... D16/202  
D445,440 S \* 7/2001 Chen ..... D16/202  
6,412,993 B1 \* 7/2002 Silverbrook ..... 396/429  
D467,956 S \* 12/2002 Senda et al. .... D16/218  
D473,250 S \* 4/2003 Katayama ..... D16/202

\* cited by examiner

*Primary Examiner*—Adir Aronovich

(74) *Attorney, Agent, or Firm*—Birch, Stewart, Kolasch & Birch, LLP

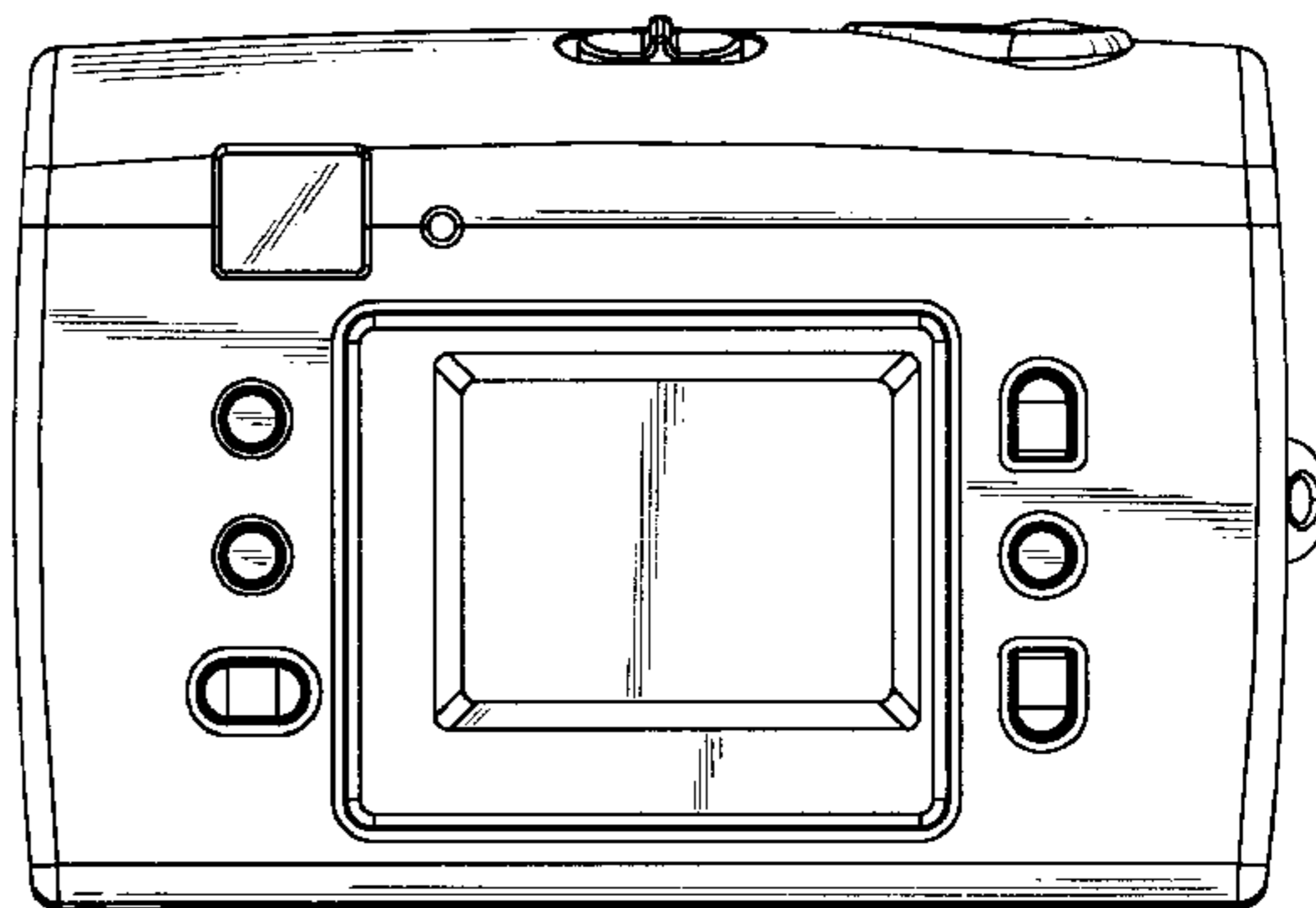
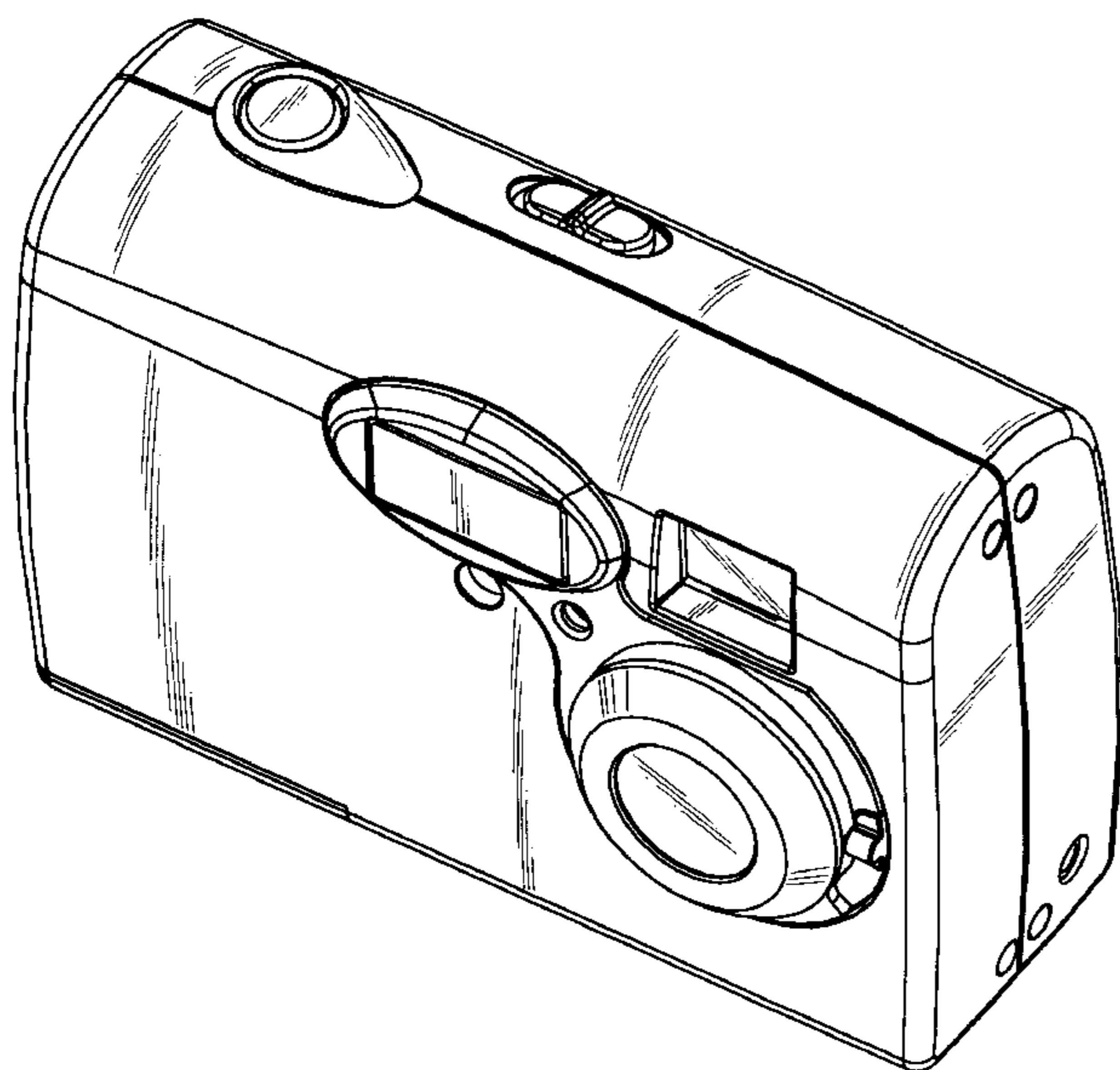
(57) **CLAIM**

The ornamental design for a digital camera, as shown and described.

**DESCRIPTION**

FIG. 1 is a perspective view of a digital camera showing my new design;  
FIG. 2 is a right side elevational view thereof;  
FIG. 3 is a top view thereof;  
FIG. 4 is a front view thereof;  
FIG. 5 is a bottom view thereof;  
FIG. 6 is a left side elevational view thereof; and,  
FIG. 7 is a rear view thereof.

**1 Claim, 4 Drawing Sheets**



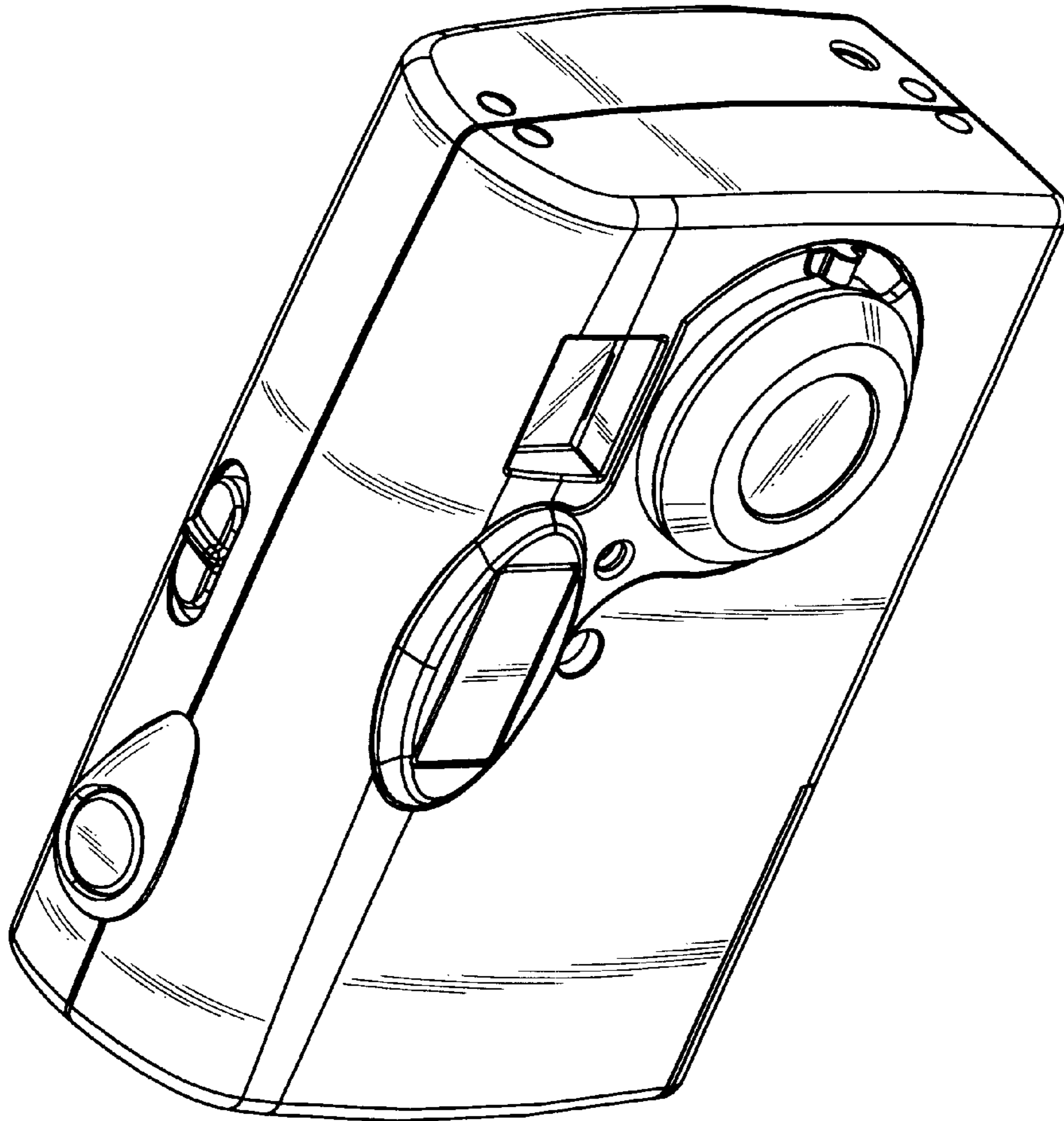


FIG. 1

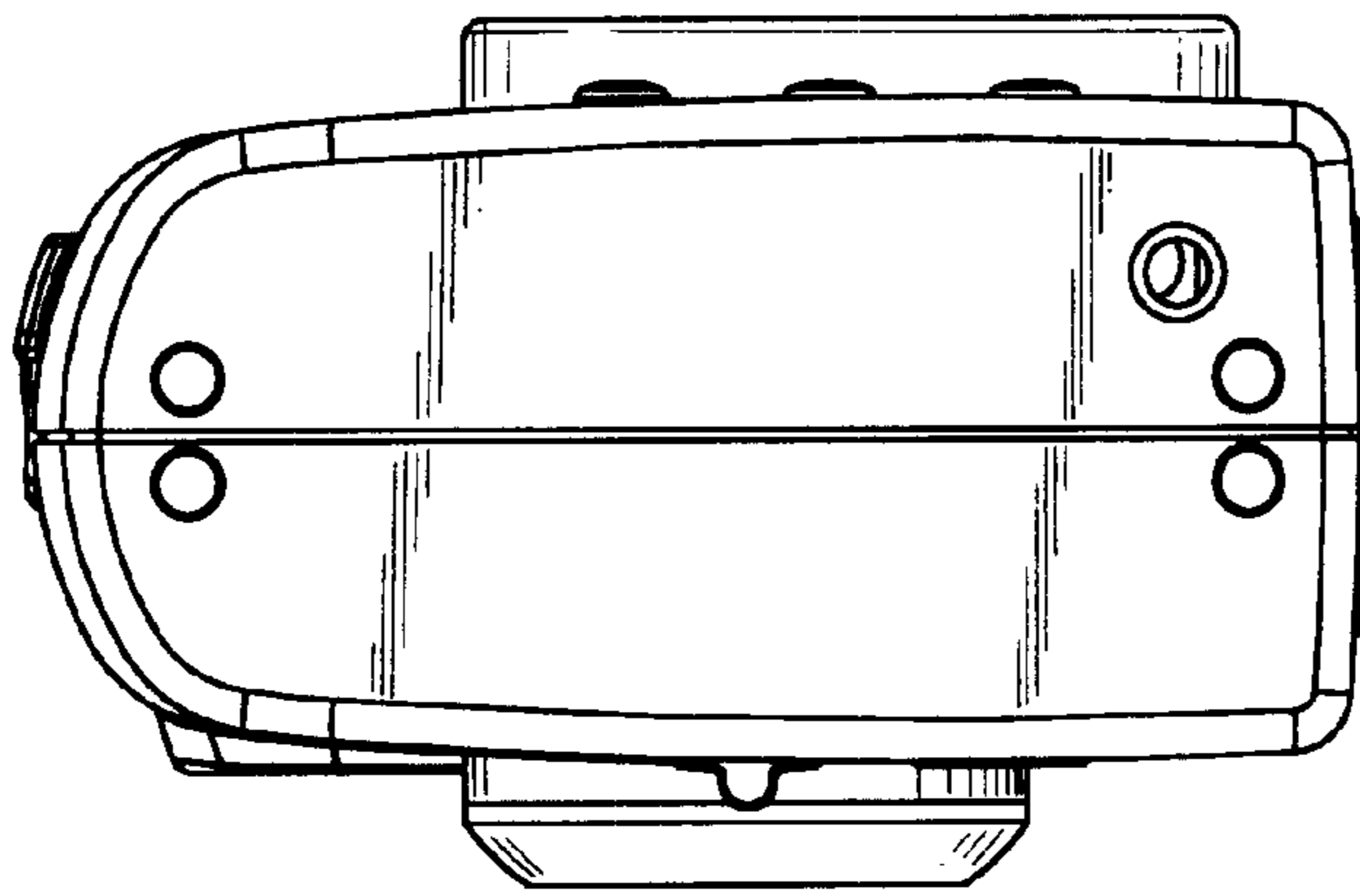


FIG. 2

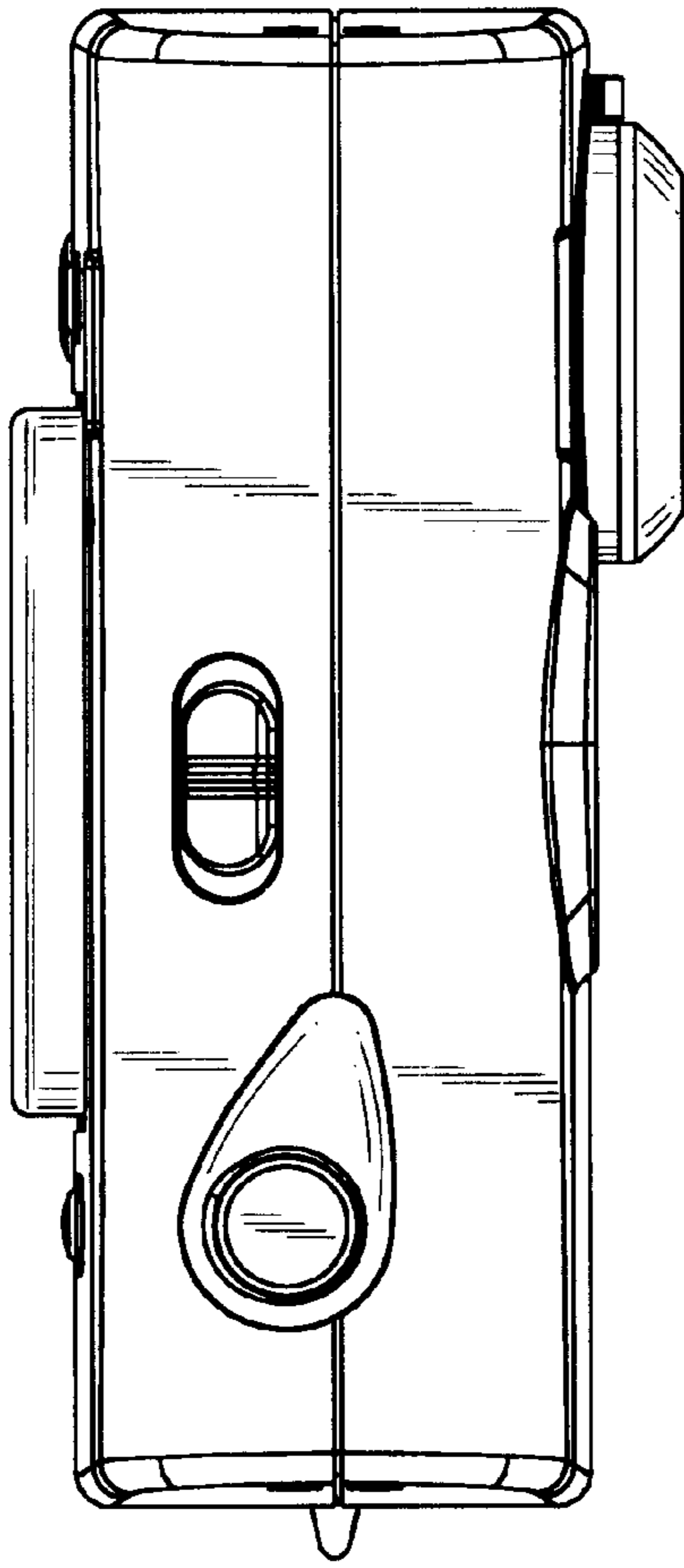


FIG. 3

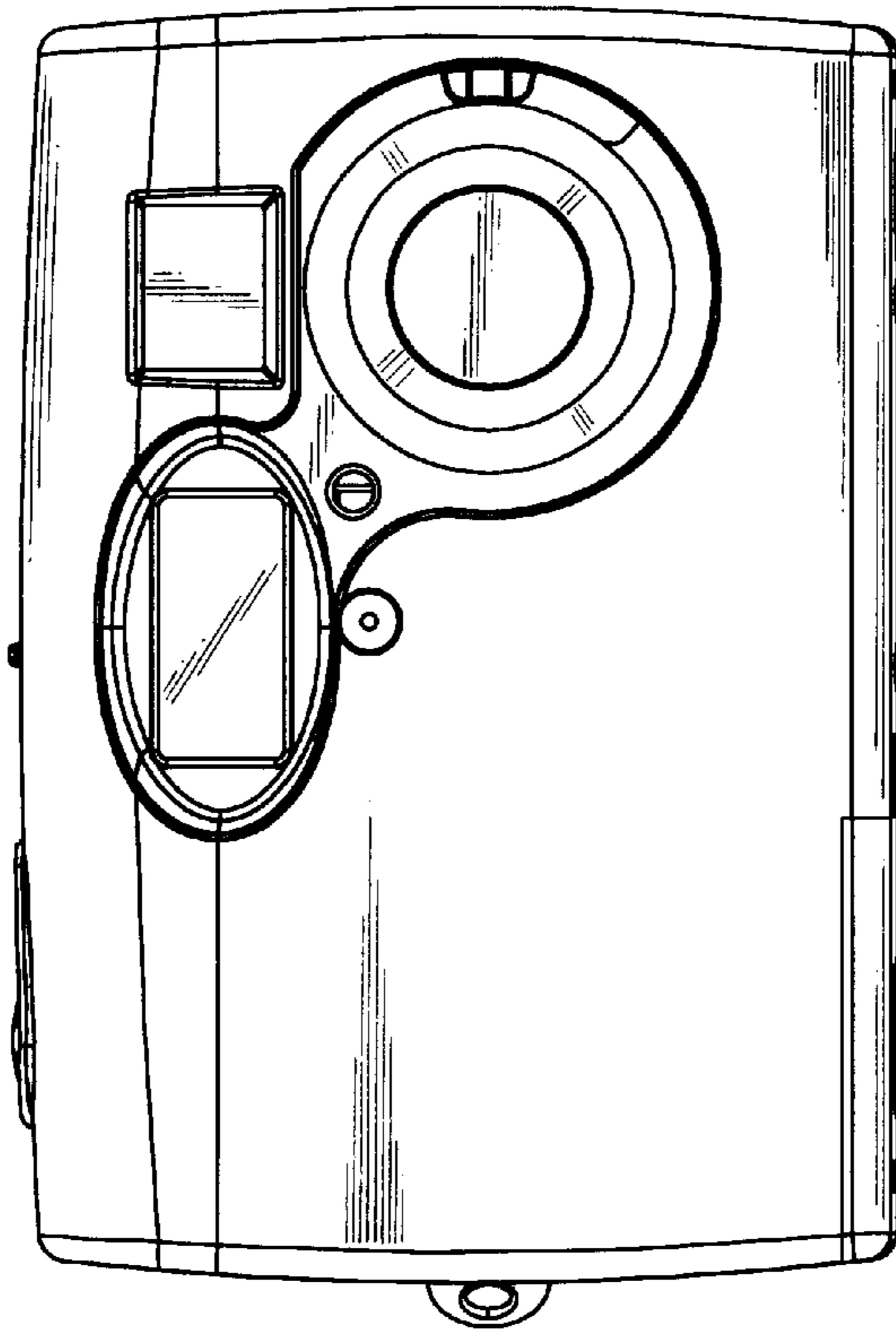


FIG. 4

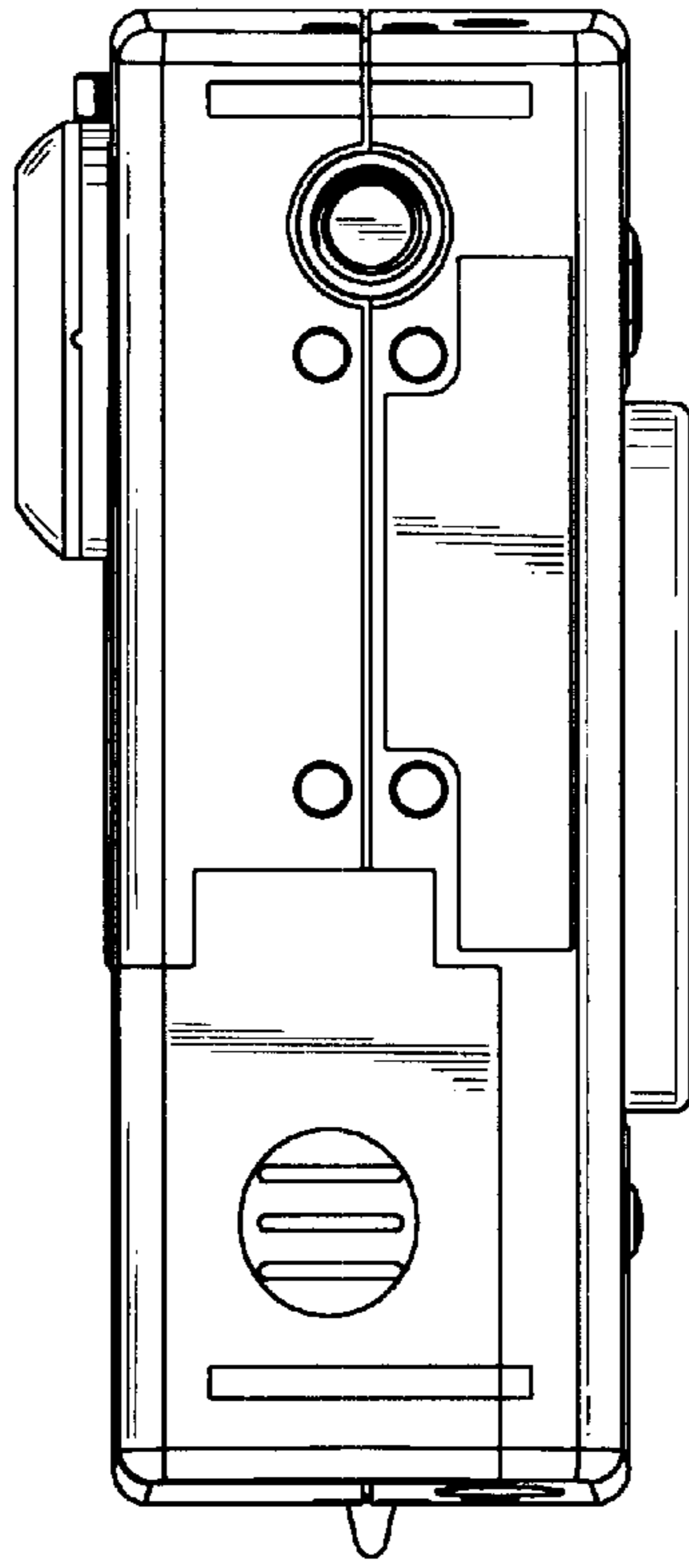


FIG. 5

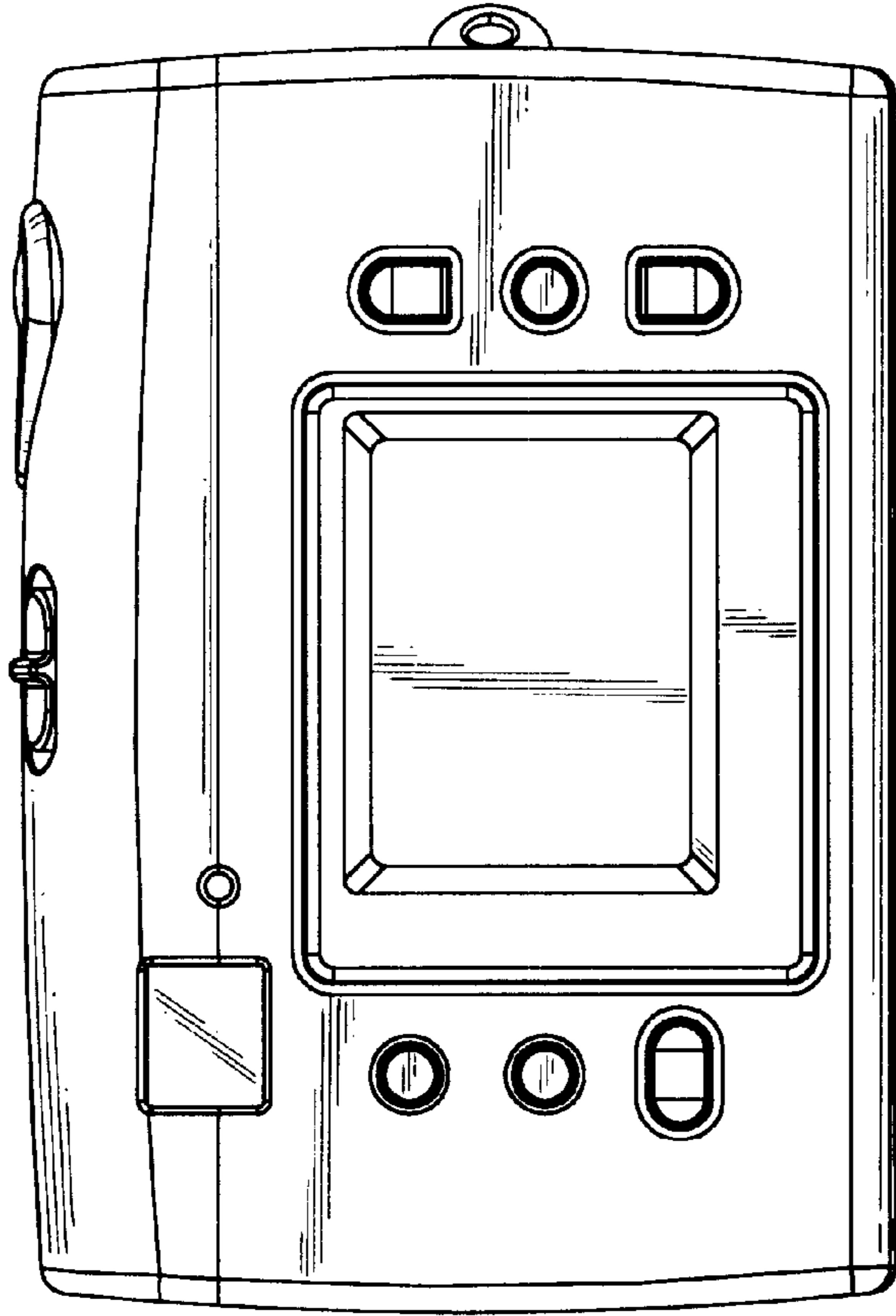


FIG. 7

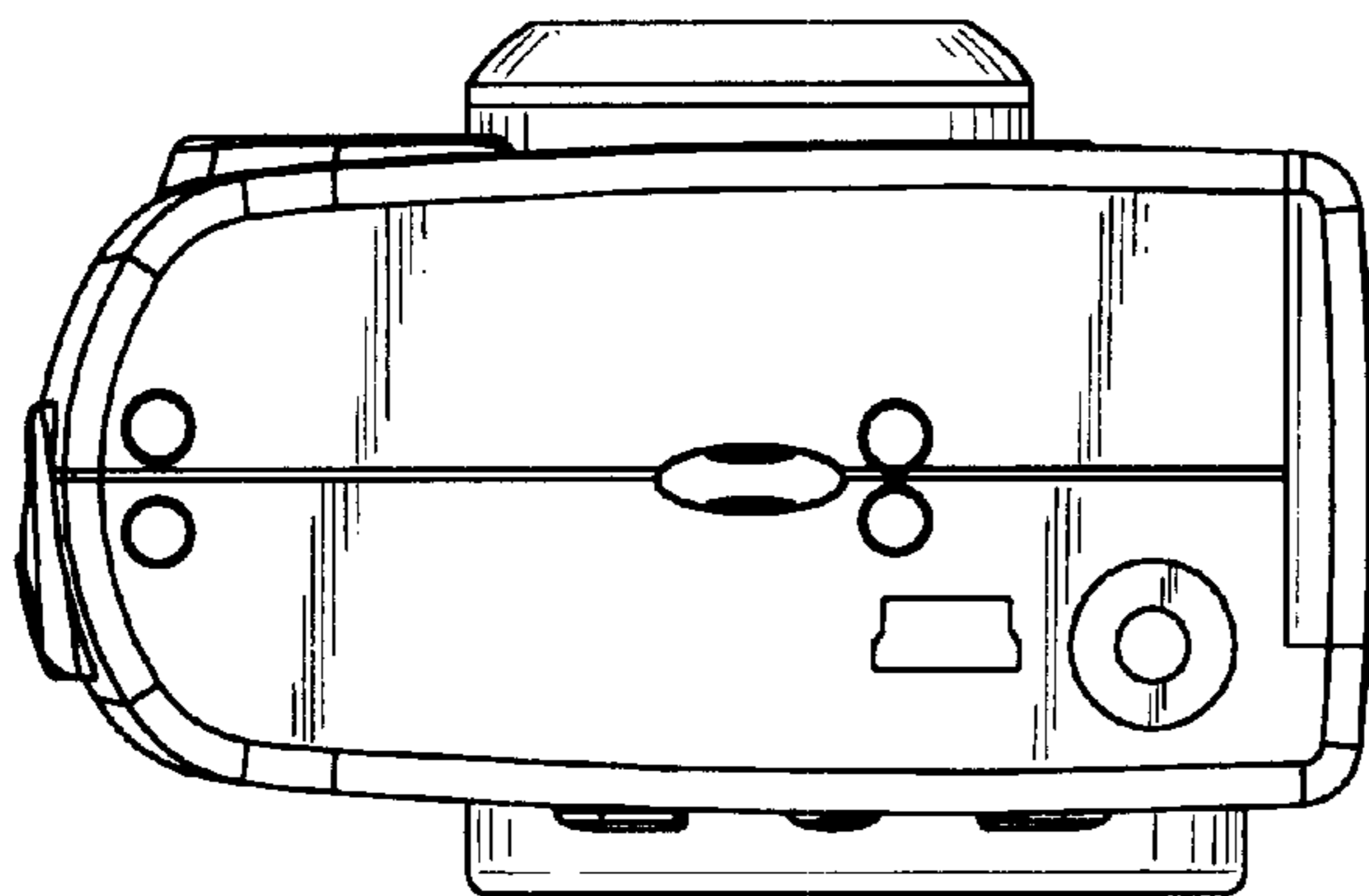


FIG. 6