



US00D483046S

(12) **United States Design Patent**
Becke

(10) **Patent No.:** **US D483,046 S**

(45) **Date of Patent:** **** Dec. 2, 2003**

(54) **REFRIGERATOR SHELF**

(75) **Inventor:** **Christoph Becke**, Grosskarolinenfeld (DE)

(73) **Assignee:** **BSH Bosch und Siemens Hausgeräte GmbH**, Munich (DE)

(**) **Term:** **14 Years**

(21) **Appl. No.:** **29/170,436**

(22) **Filed:** **Nov. 6, 2002**

(30) **Foreign Application Priority Data**

May 6, 2002 (WO) DM/060 179

(51) **LOC (7) Cl.** **15-07**

(52) **U.S. Cl.** **D15/89**

(58) **Field of Search** D15/79-91; 62/440, 62/444, 445; 312/116, 139.2, 236, 128.32, 401, 402, 405.1, 408, 321

(56) **References Cited**

U.S. PATENT DOCUMENTS

D246,978 S * 1/1978 Armstrong D15/89

5,160,191 A * 11/1992 Holland et al. 312/405.1
D342,743 S * 12/1993 Renner D15/91
D344,739 S * 3/1994 Edman et al. D15/89
5,375,924 A * 12/1994 Pohl et al. 312/405.1

* cited by examiner

Primary Examiner—Mitchell Siegel

(74) *Attorney, Agent, or Firm*—Laurence A. Greenberg; Werner H. Stemer; Ralph E. Locher

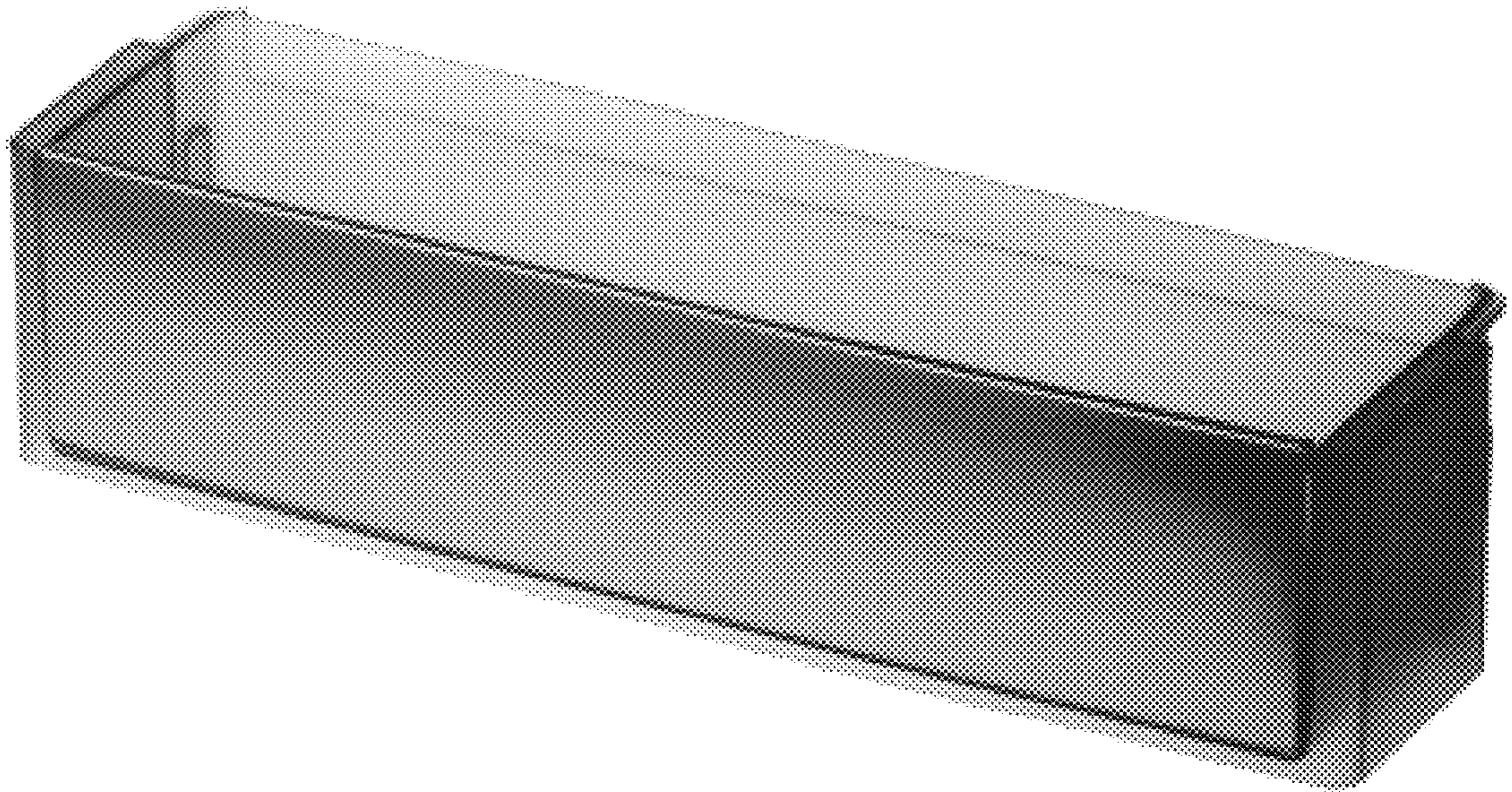
(57) **CLAIM**

The ornamental design for a refrigerator shelf, as shown and described.

DESCRIPTION

FIG. 1 is a front, top, right perspective view of the refrigerator shelf;
FIG. 2 is a bottom view thereof;
FIG. 3 is a rear view thereof;
FIG. 4 is a left-side view thereof;
FIG. 5 is a bottom, rear, left perspective view thereof;
FIG. 6 is a top view thereof;
FIG. 7 is a front view thereof; and,
FIG. 8 is right-side view thereof.

1 Claim, 4 Drawing Sheets



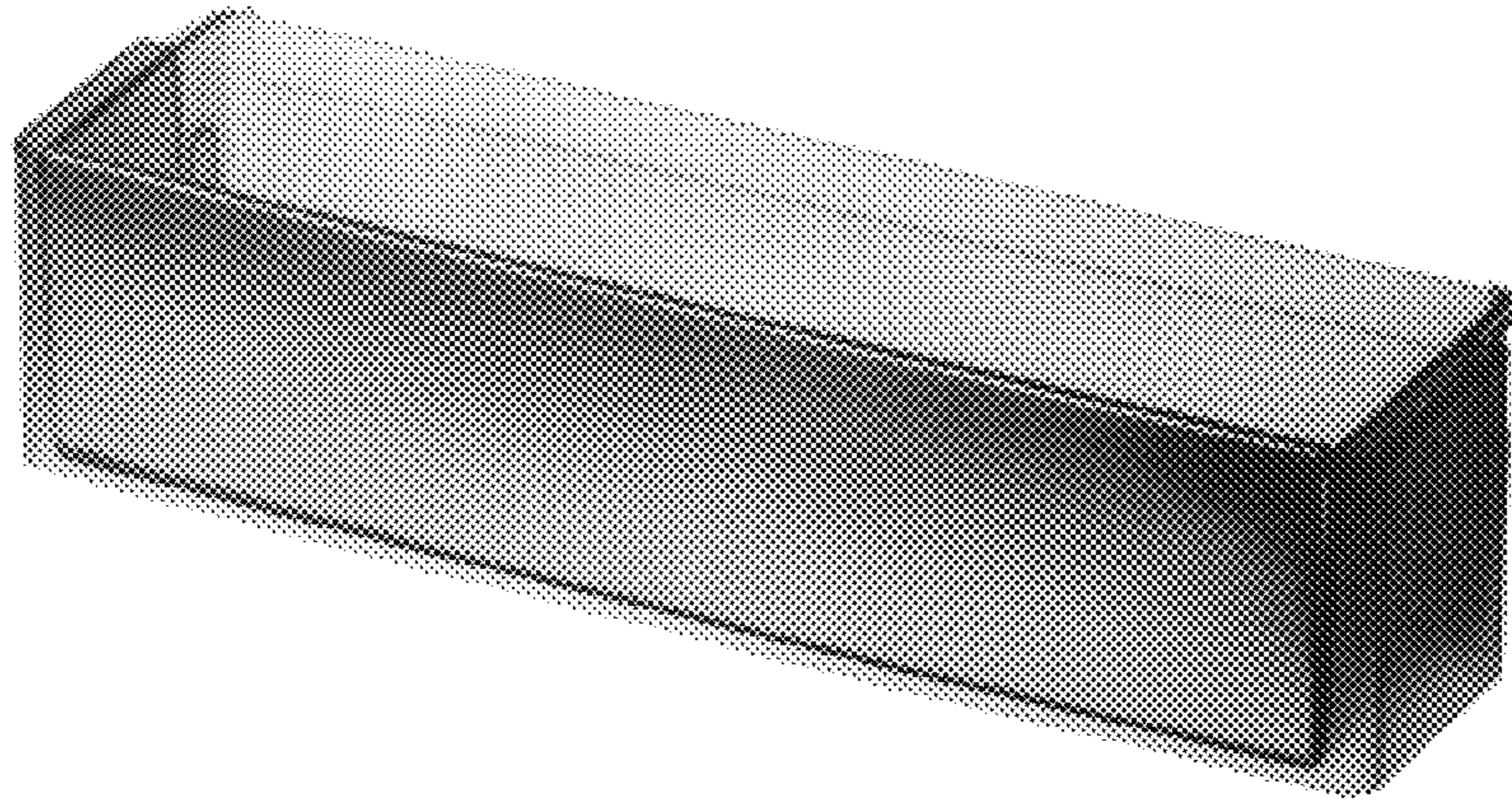


FIG. 1

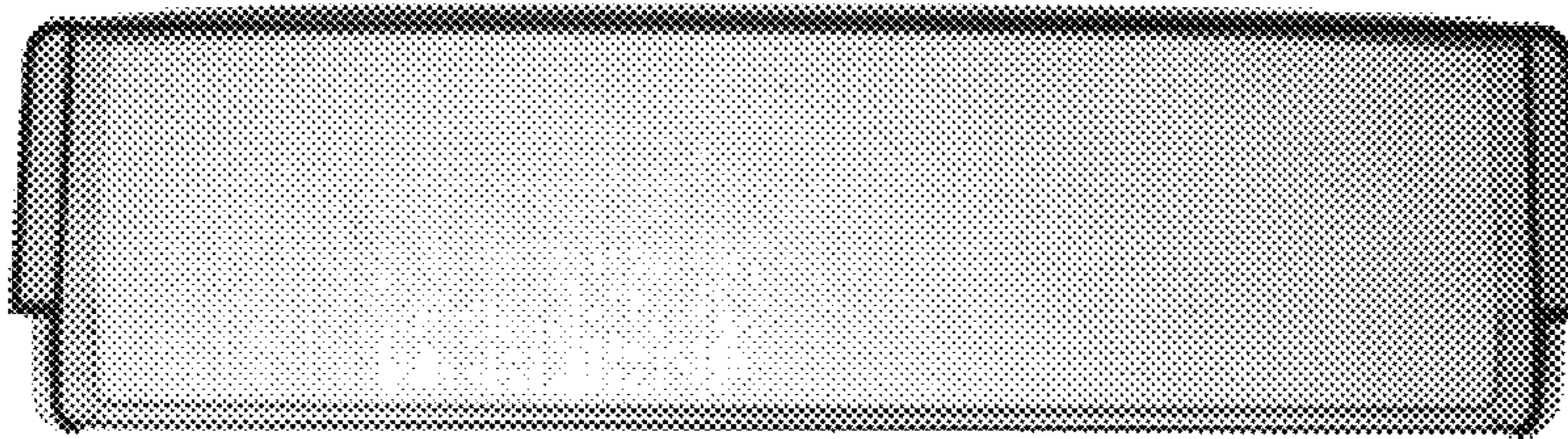


FIG. 2

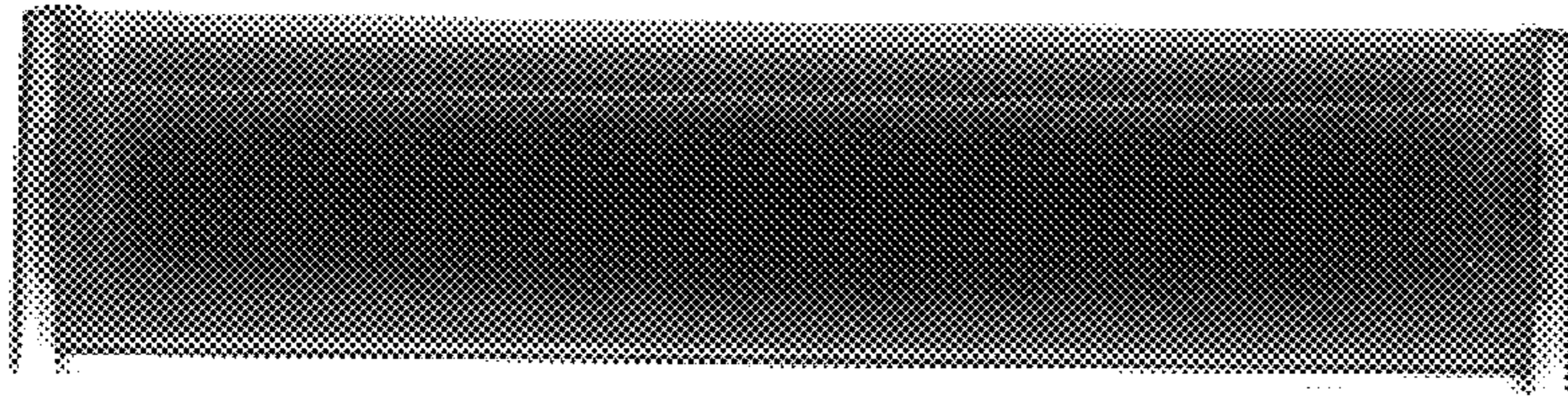


FIG. 3

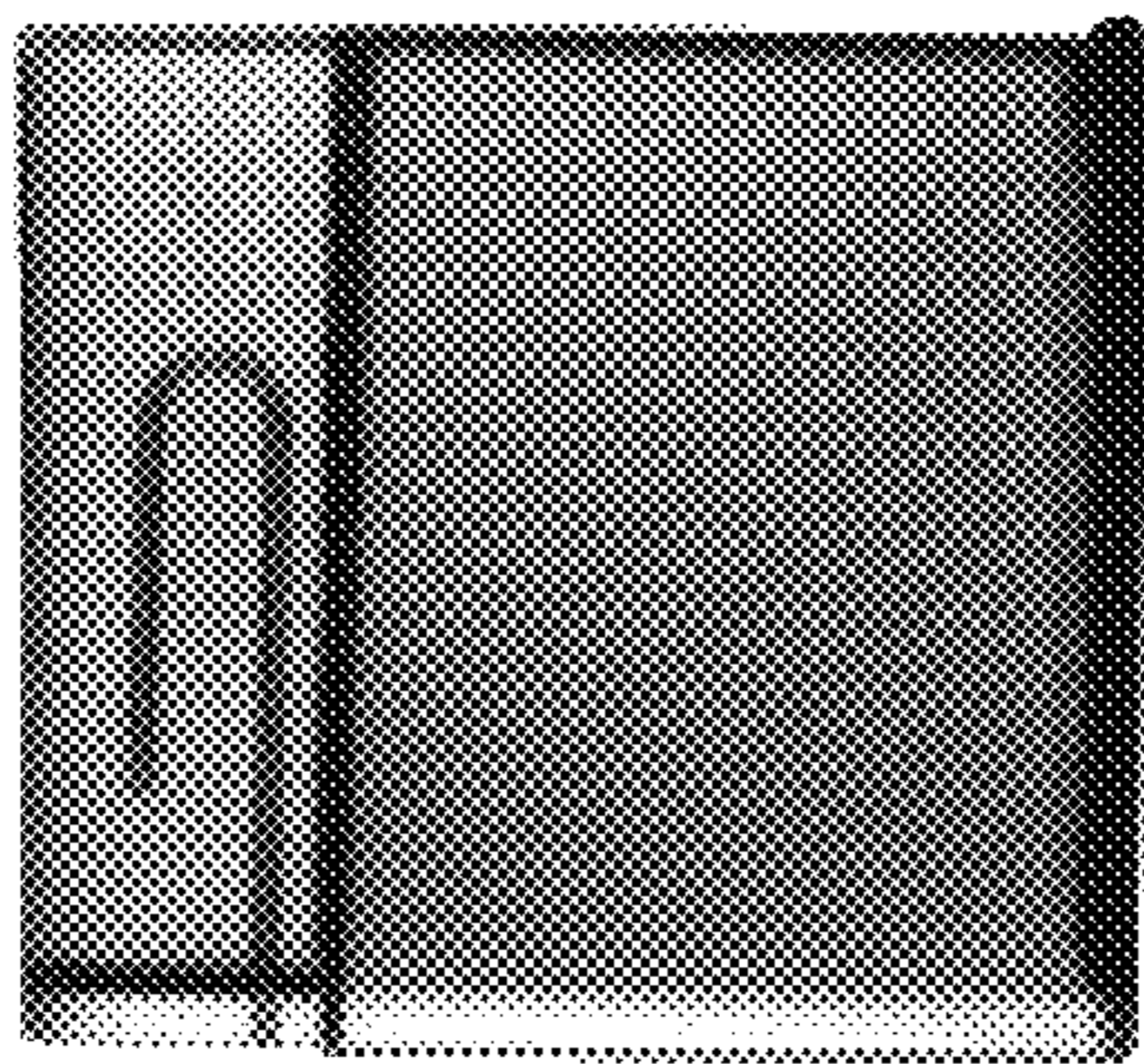


FIG. 4

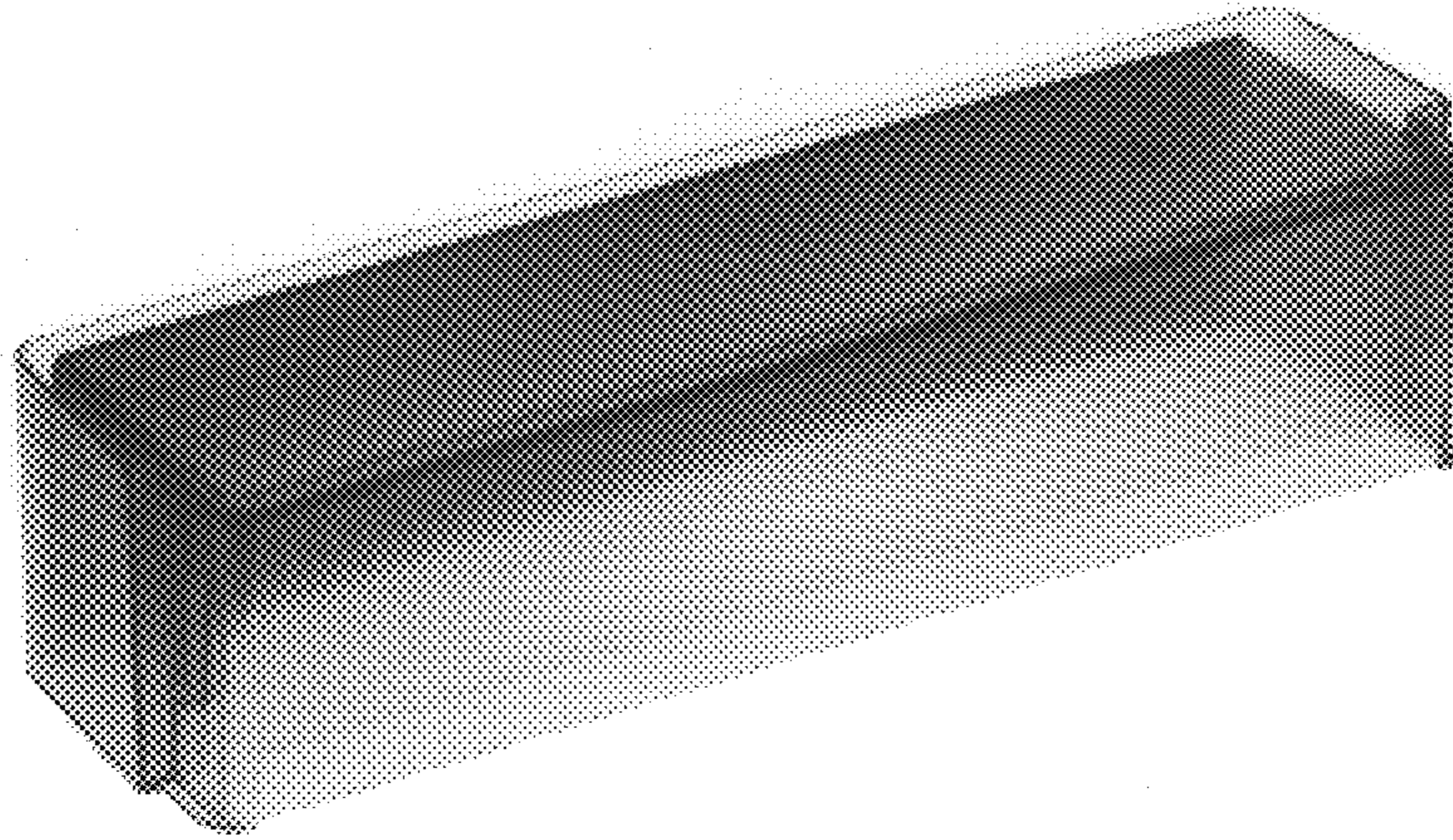


FIG. 5

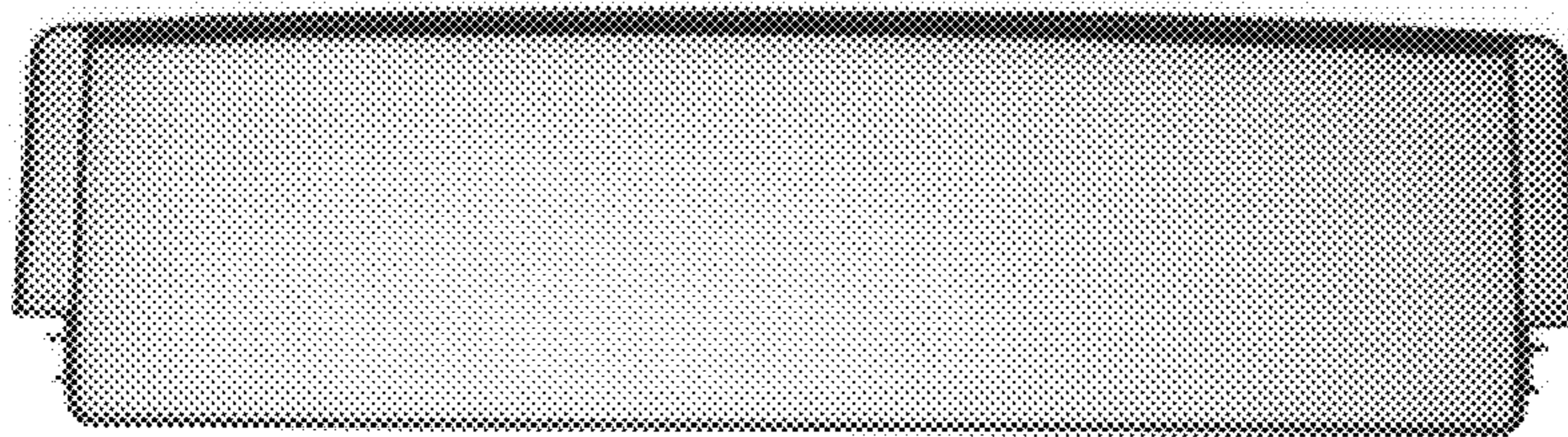


FIG. 6

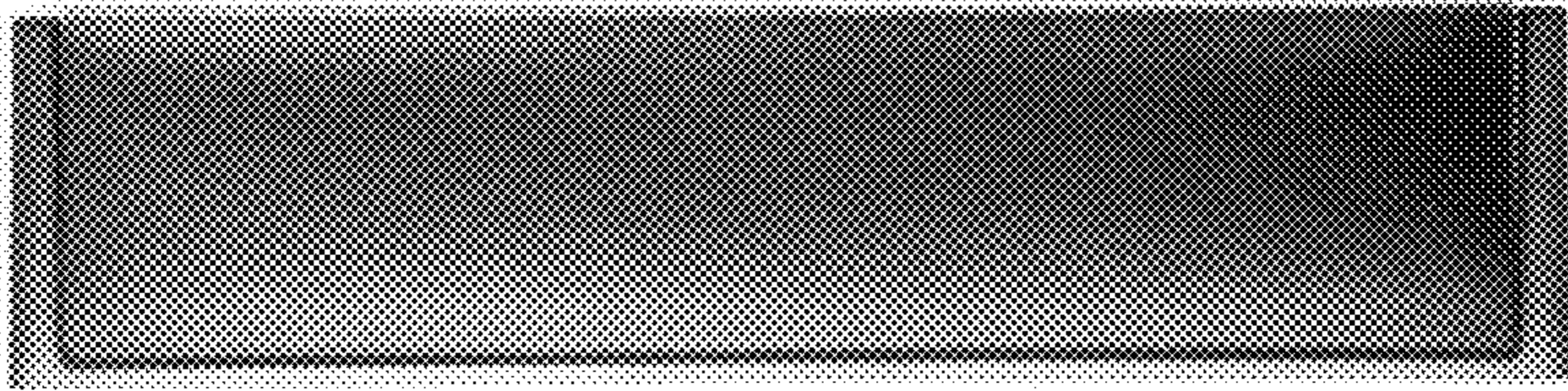


FIG. 7

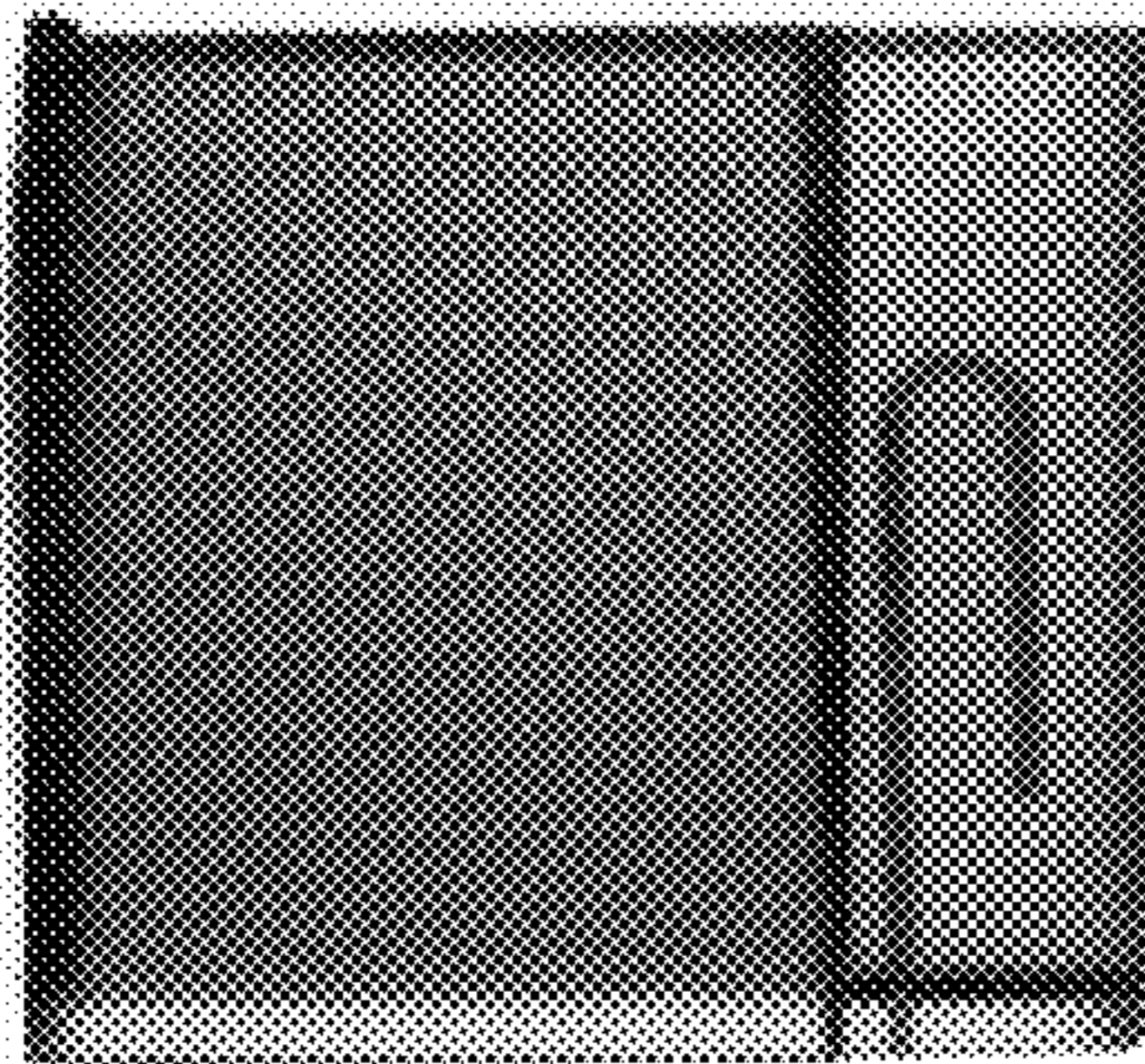


FIG. 8