



US00D483043S

(12) **United States Design Patent**
Akashima et al.

(10) **Patent No.:** **US D483,043 S**

(45) **Date of Patent:** **** Dec. 2, 2003**

(54) **TRACTOR**

(75) Inventors: **Susumu Akashima**, Osaka (JP);
Masakazu Komatsu, Osaka (JP)

(73) Assignee: **Yanmar Agricultural Equipment Co., Ltd.**, Osaka (JP)

(**) Term: **14 Years**

(21) Appl. No.: **29/171,642**

(22) Filed: **Nov. 27, 2002**

(30) **Foreign Application Priority Data**

Sep. 20, 2002 (JP) 2002-025776

(51) **LOC (7) Cl.** **12-09**

(52) **U.S. Cl.** **D15/24**

(58) **Field of Search** D15/23-26; 180/89.1,
180/89.12, 900

(56) **References Cited**

U.S. PATENT DOCUMENTS

- D111,156 S * 9/1938 Scarratt et al. D15/24
- D177,098 S * 3/1956 Jordan D15/24
- D184,160 S * 12/1958 Whiting et al. D15/24

- D210,200 S * 2/1968 Borer et al. D15/24
- D230,620 S * 3/1974 Convoy et al. D15/24
- D258,509 S * 3/1981 Funabashi D15/23
- D258,824 S * 4/1981 Funabashi D15/23
- D261,141 S * 10/1981 Takahashi et al. D15/23
- D302,276 S * 7/1989 Briggs et al. D15/24
- D375,506 S * 11/1996 Bastian et al. D15/24

* cited by examiner

Primary Examiner—Mitchell Siegel

(74) *Attorney, Agent, or Firm*—Birch, Stewart, Kolasch & Birch, LLP

(57) **CLAIM**

The ornamental design for a tractor, as shown and described.

DESCRIPTION

FIG. 1 is a right side view of a tractor showing our new design;
 FIG. 2 is a left side view thereof;
 FIG. 3 is a bottom plan view thereof;
 FIG. 4 is a front elevational view thereof;
 FIG. 5 is a top plan view thereof; and,
 FIG. 6 is a rear elevational view thereof.

1 Claim, 6 Drawing Sheets

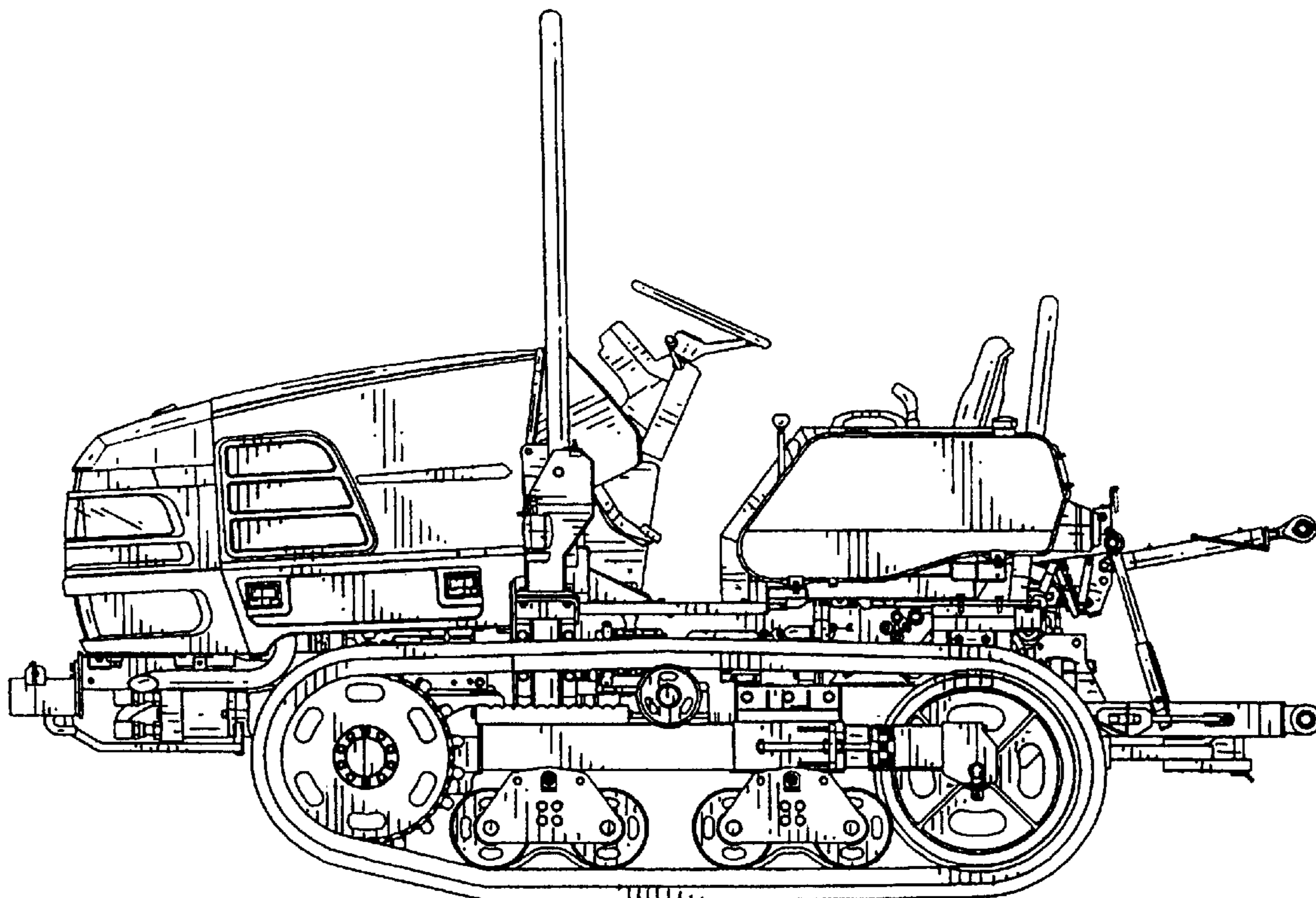


FIG. 1

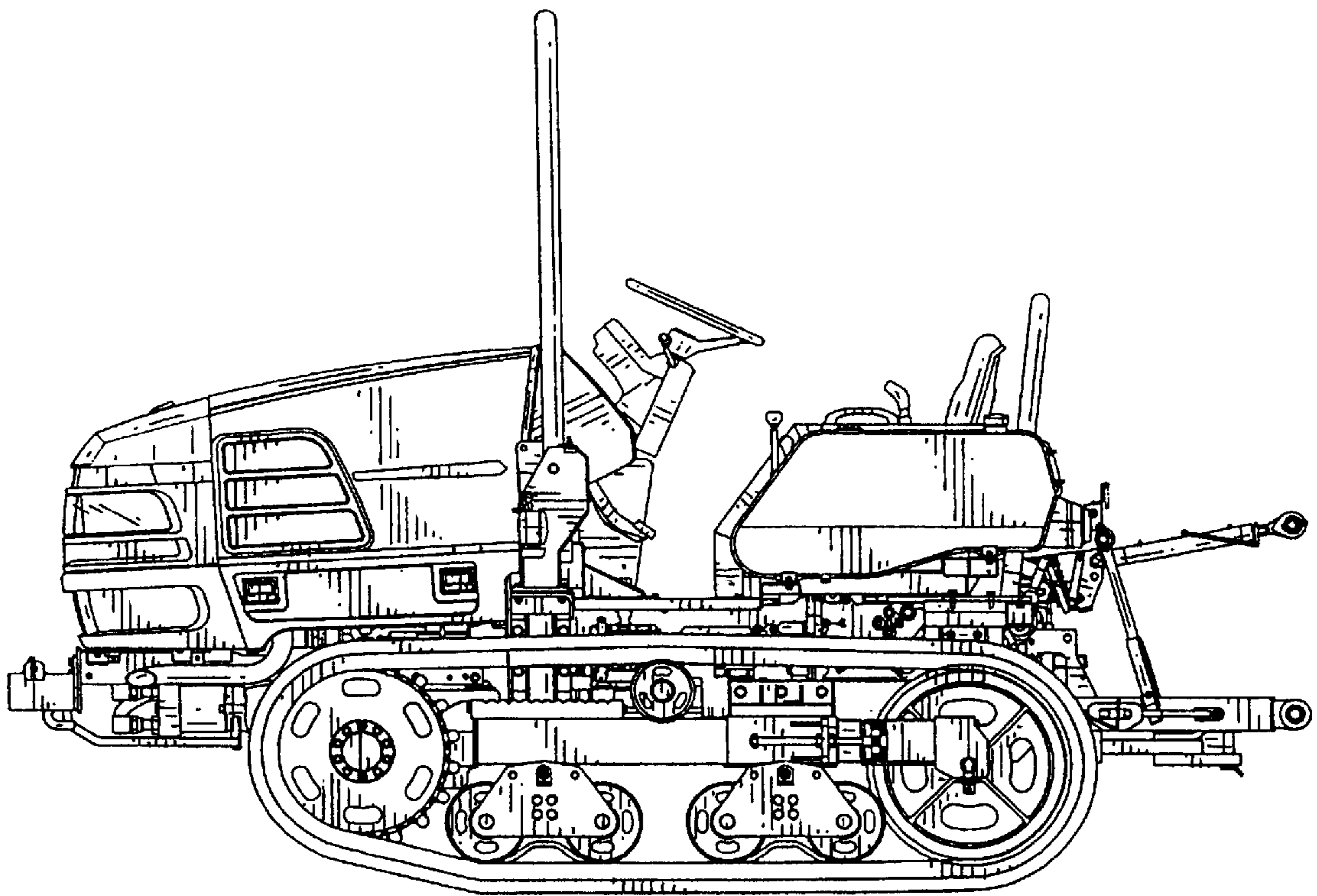


FIG. 2

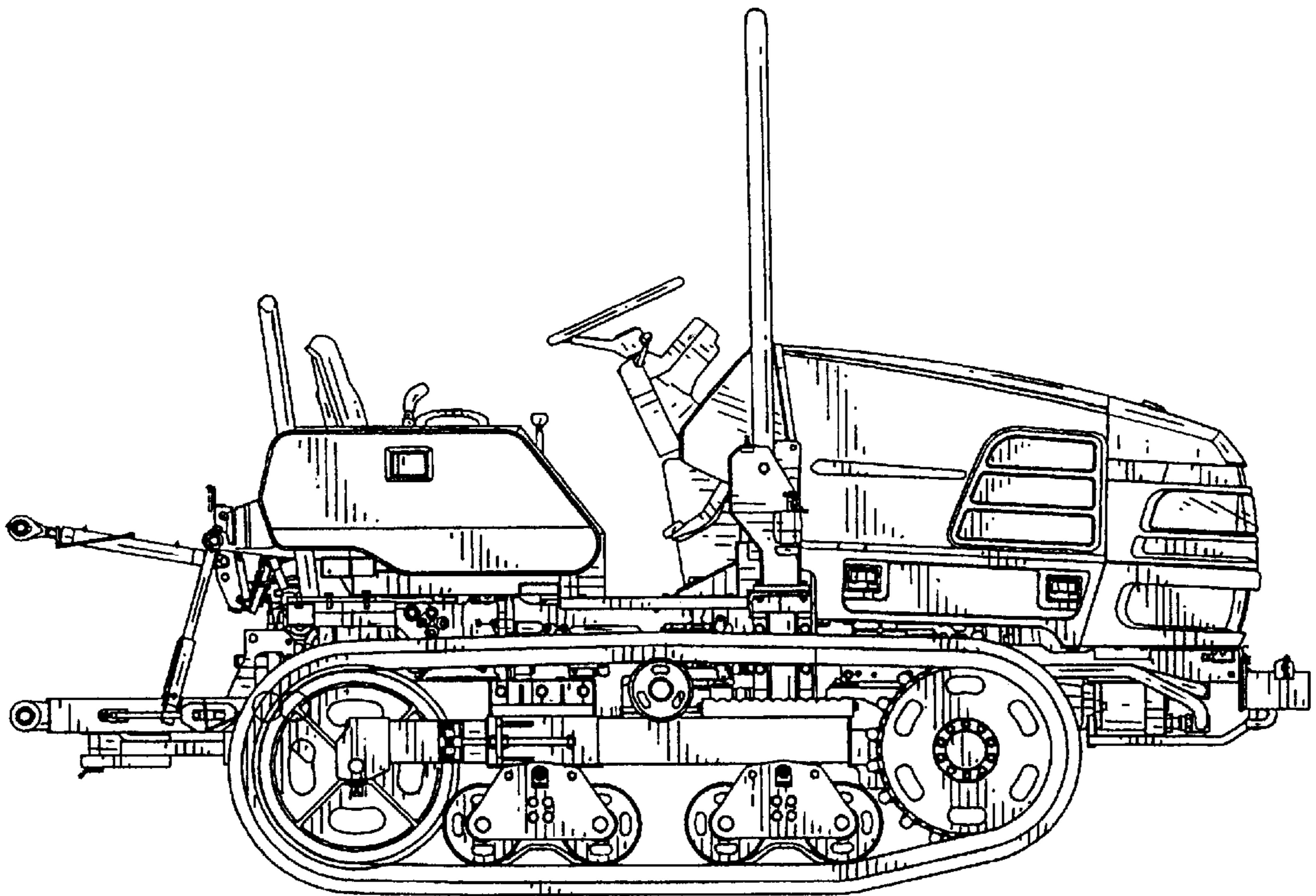


FIG. 3

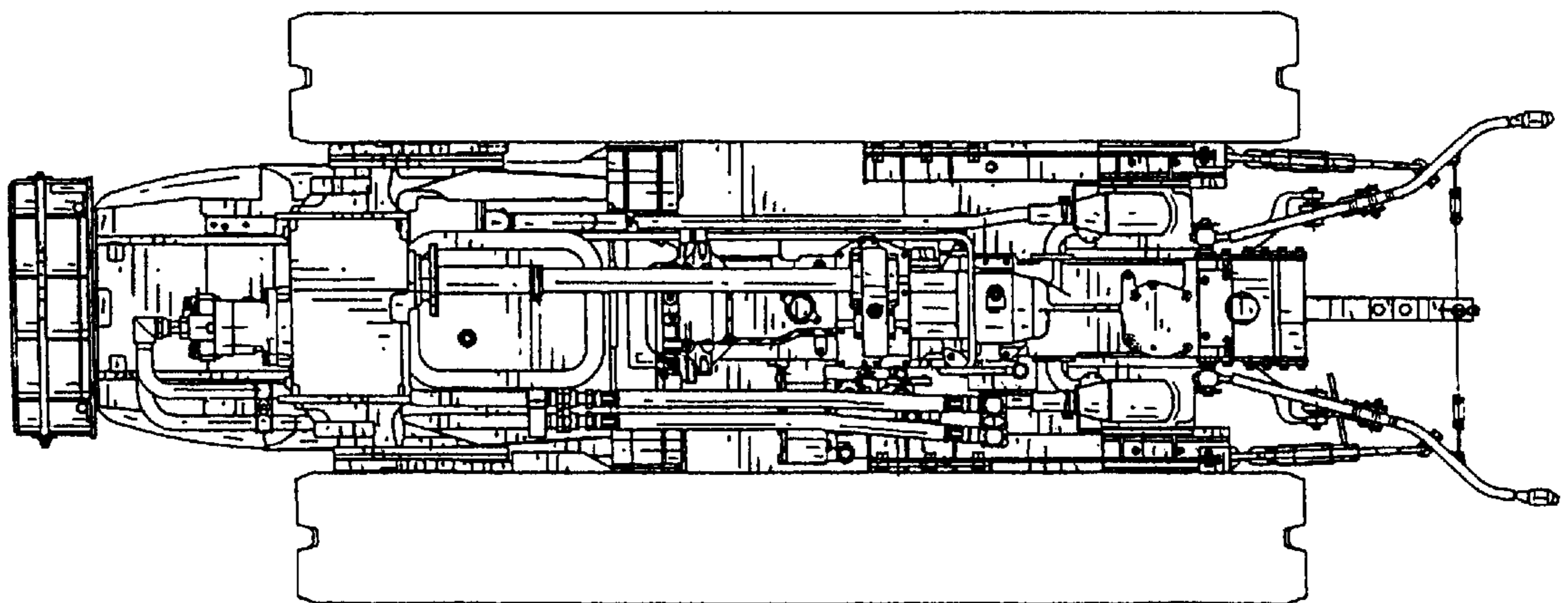


FIG. 4

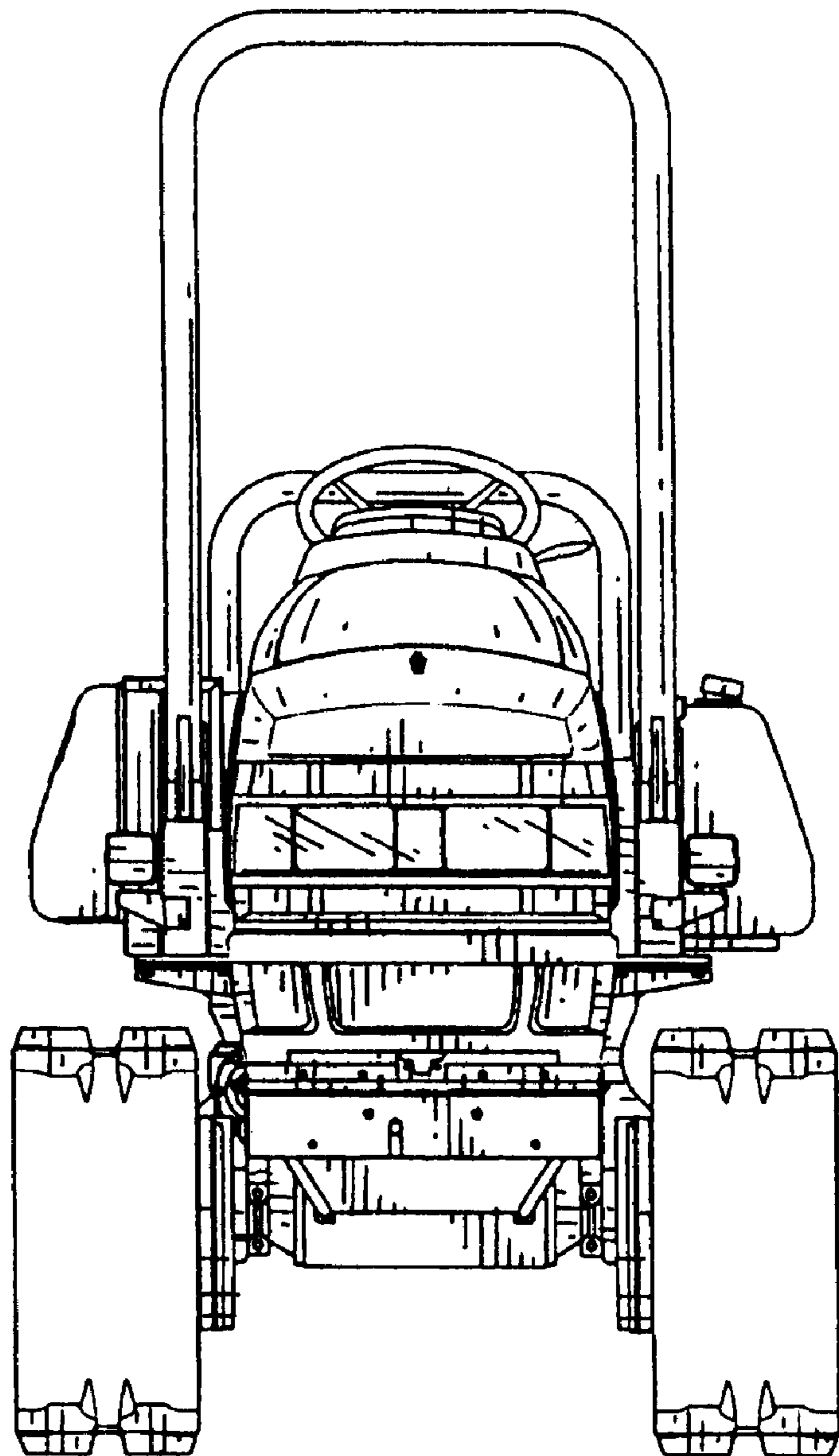


FIG. 5

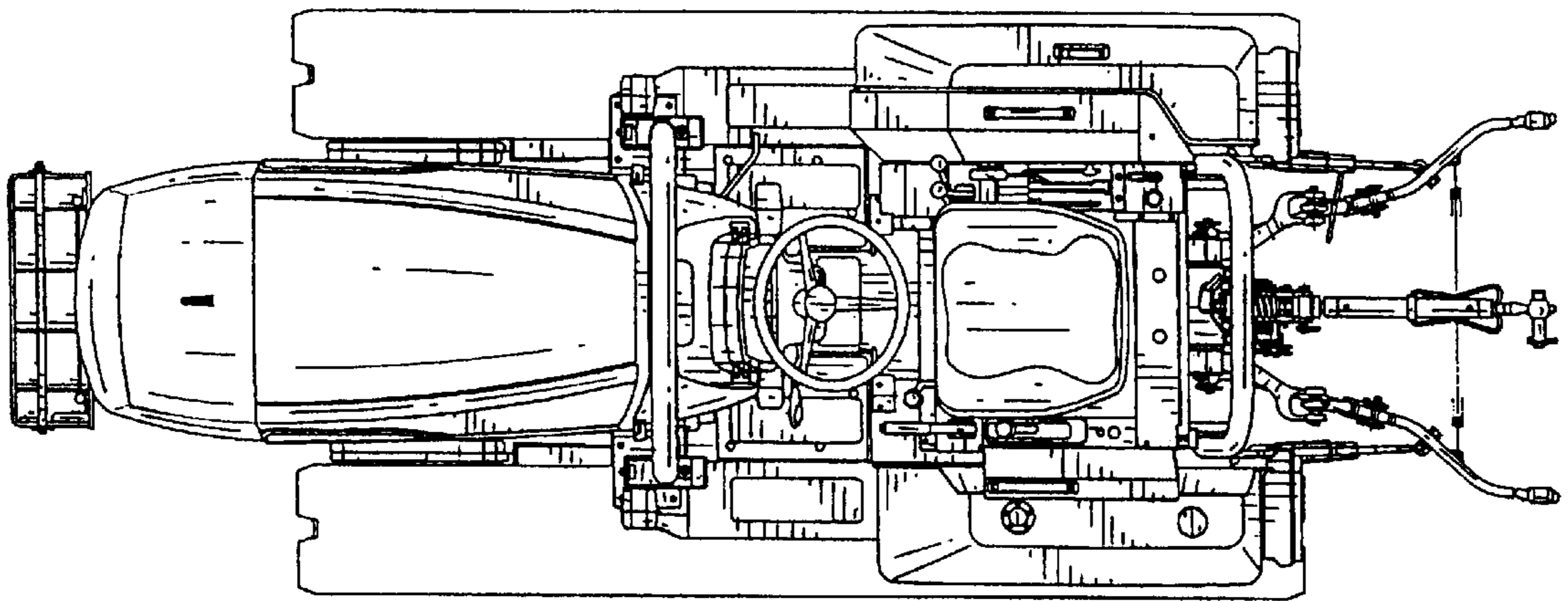


FIG. 6

