



US00D483042S

(12) **United States Design Patent**  
**Brady**

(10) **Patent No.:** **US D483,042 S**

(45) **Date of Patent:** **\*\* Dec. 2, 2003**

(54) **OVER-REAMER DRILLING TOOL FOR PILOT BIT**

(75) Inventor: **William J. Brady**, Creve Coeur, MO (US)

(73) Assignee: **The William J. Brady Loving Trust**, Creve Coeur, MO (US)

(\*\*) Term: **14 Years**

(21) Appl. No.: **29/177,084**

(22) Filed: **Mar. 4, 2003**

**Related U.S. Application Data**

(62) Division of application No. 29/161,710, filed on Jun. 3, 2002.

(51) **LOC (7) Cl.** ..... **15-03**

(52) **U.S. Cl.** ..... **D15/21**

(58) **Field of Search** ..... D15/21, 28, 139; 175/40, 339, 377, 378, 393, 420.1, 429, 430, 427

(56) **References Cited**

**U.S. PATENT DOCUMENTS**

- 4,098,362 A 7/1978 Bonnice
- 4,190,125 A 2/1980 Emmerich et al.
- 4,535,853 A 8/1985 Ippolito et al.
- 4,572,307 A 2/1986 Tunell
- 4,683,965 A 8/1987 Walton et al.
- 4,711,312 A \* 12/1987 Leibee et al. .... 175/393

- 4,852,671 A \* 8/1989 Southland ..... 175/430
- 5,025,874 A \* 6/1991 Barr et al. .... 175/430
- 5,400,861 A \* 3/1995 Sheirer ..... 175/427
- 5,429,199 A \* 7/1995 Sheirer et al. .... 175/321
- 5,456,329 A 10/1995 Dennis et al.
- 5,458,210 A 10/1995 Sollami
- 5,535,839 A 7/1996 Brady
- D424,579 S \* 5/2000 Brady ..... D15/21
- D430,578 S \* 9/2000 Brady ..... D15/21
- 6,427,782 B2 \* 8/2002 Brady ..... 175/40

\* cited by examiner

*Primary Examiner*—Mitchell Siegel

(74) *Attorney, Agent, or Firm*—Senniger, Powers, Leavitt & Roedel

(57) **CLAIM**

The ornamental design for an over-reamer drilling tool for pilot bit, as shown and described.

**DESCRIPTION**

FIG. 1 is a fragmentary perspective view of an over-reamer drilling tool illustrating the invention, FIG. 2 is a side elevational view of the over-reamer drilling tool of FIG. 1, and showing a pilot bit in phantom for environmental purposes, FIG. 3 is a top plan view of the over-reamer tool of FIG. 1, and showing a pilot bit in phantom for environmental purposes; and, FIG. 4 is a side elevational view, as rotated 90° from the FIG. 2 view, and showing a phantom pilot bit in an exploded position for illustration purposes.

**1 Claim, 2 Drawing Sheets**

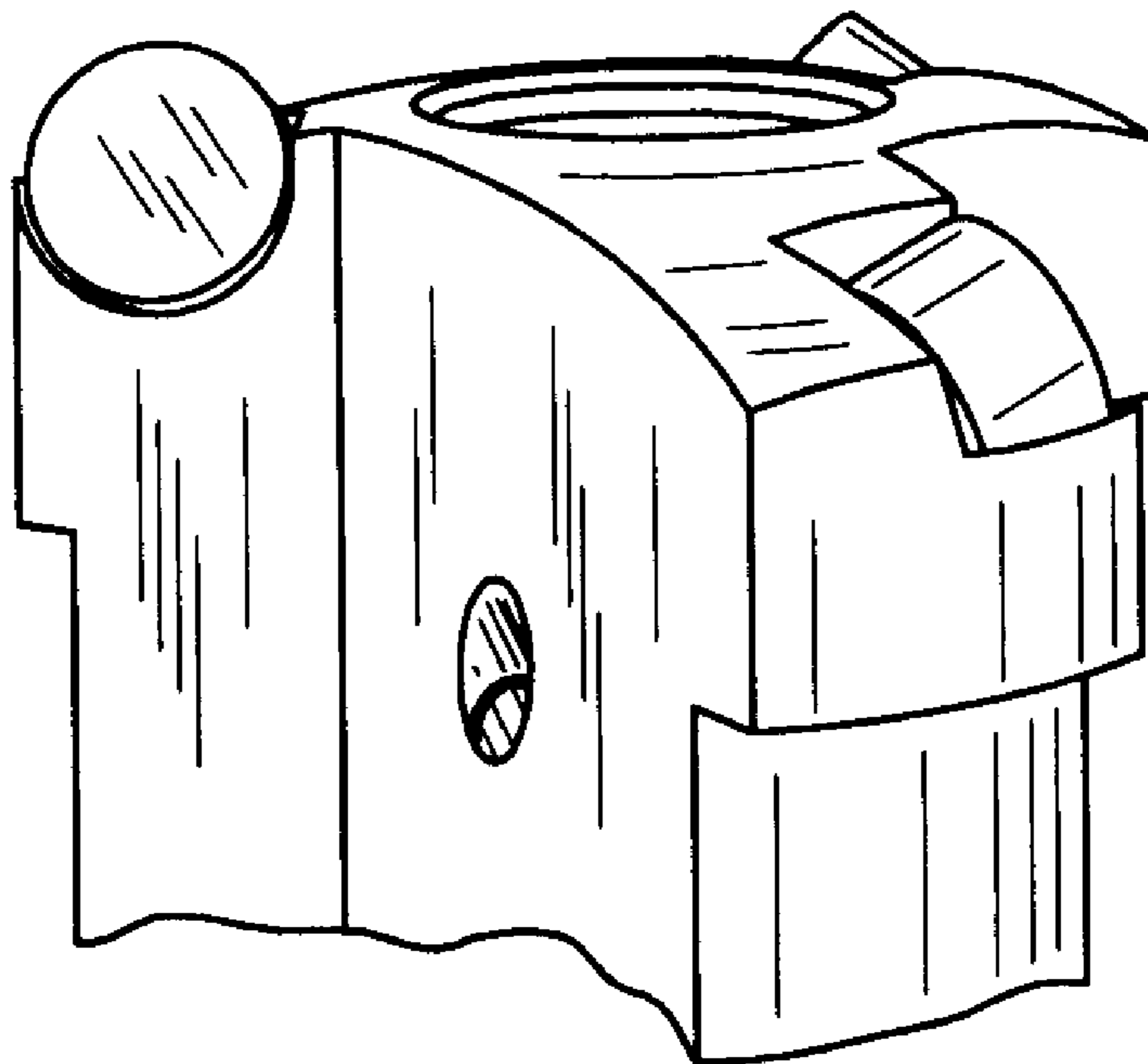


FIG. 1

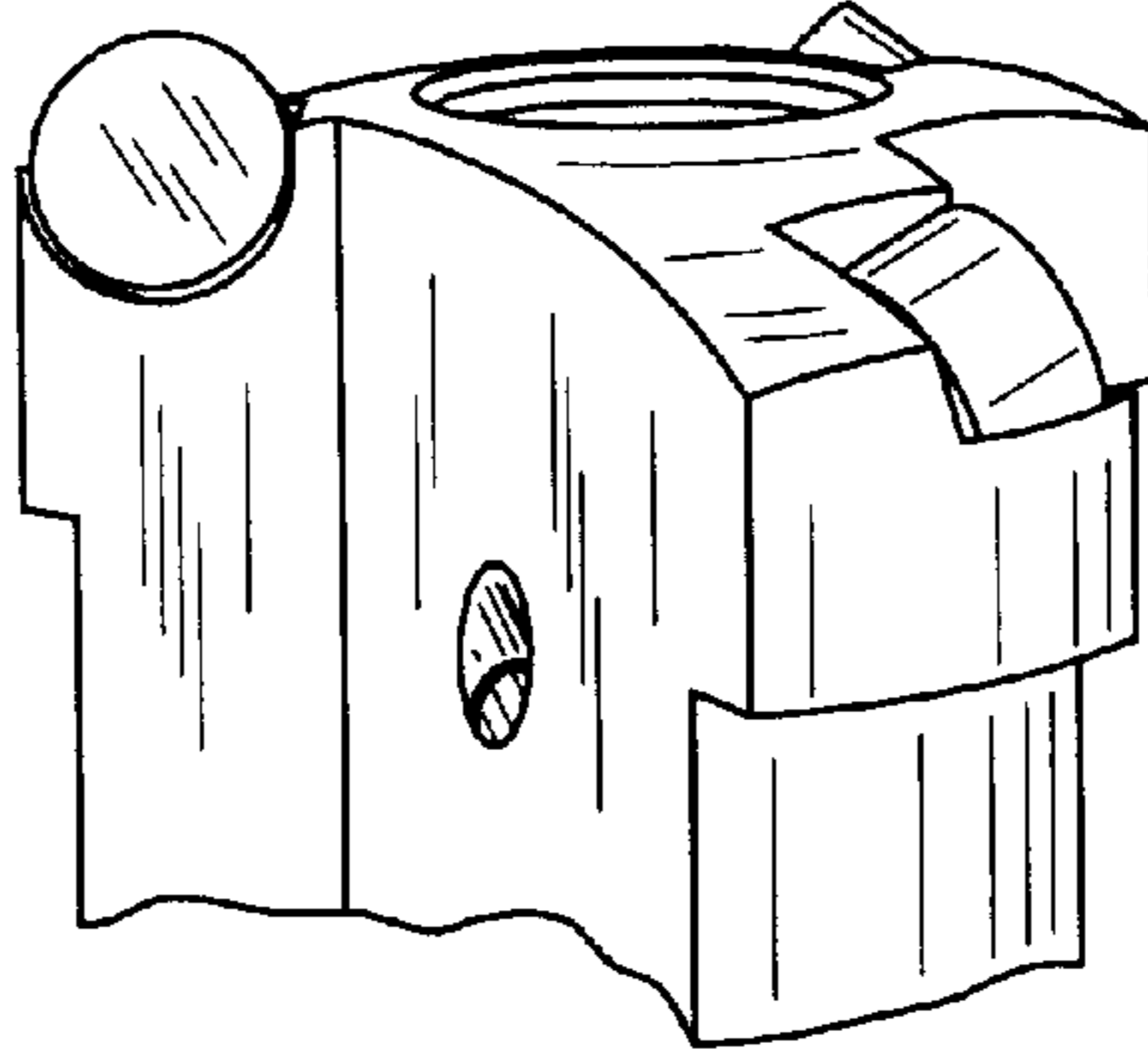


FIG. 2

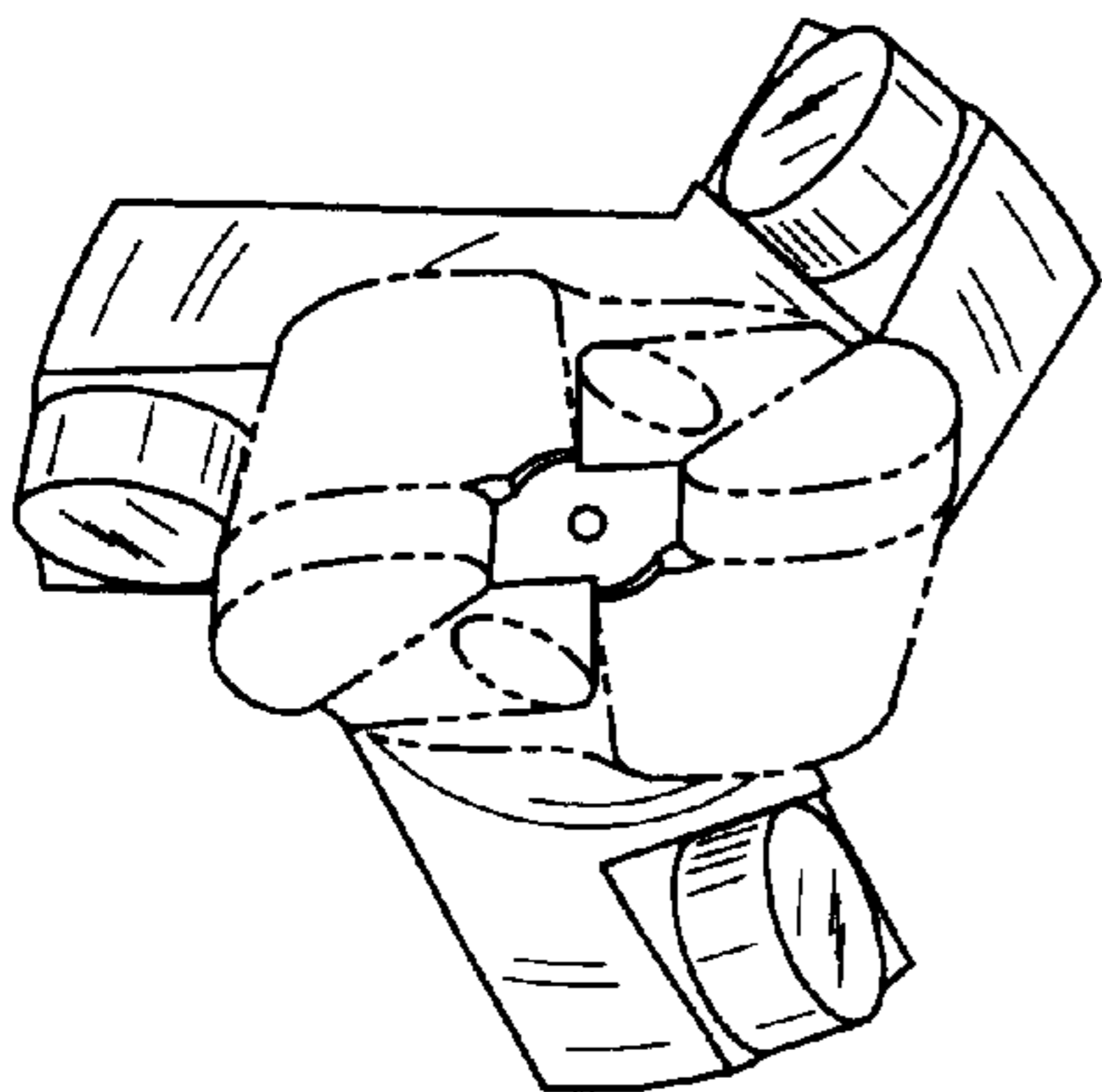


FIG. 3

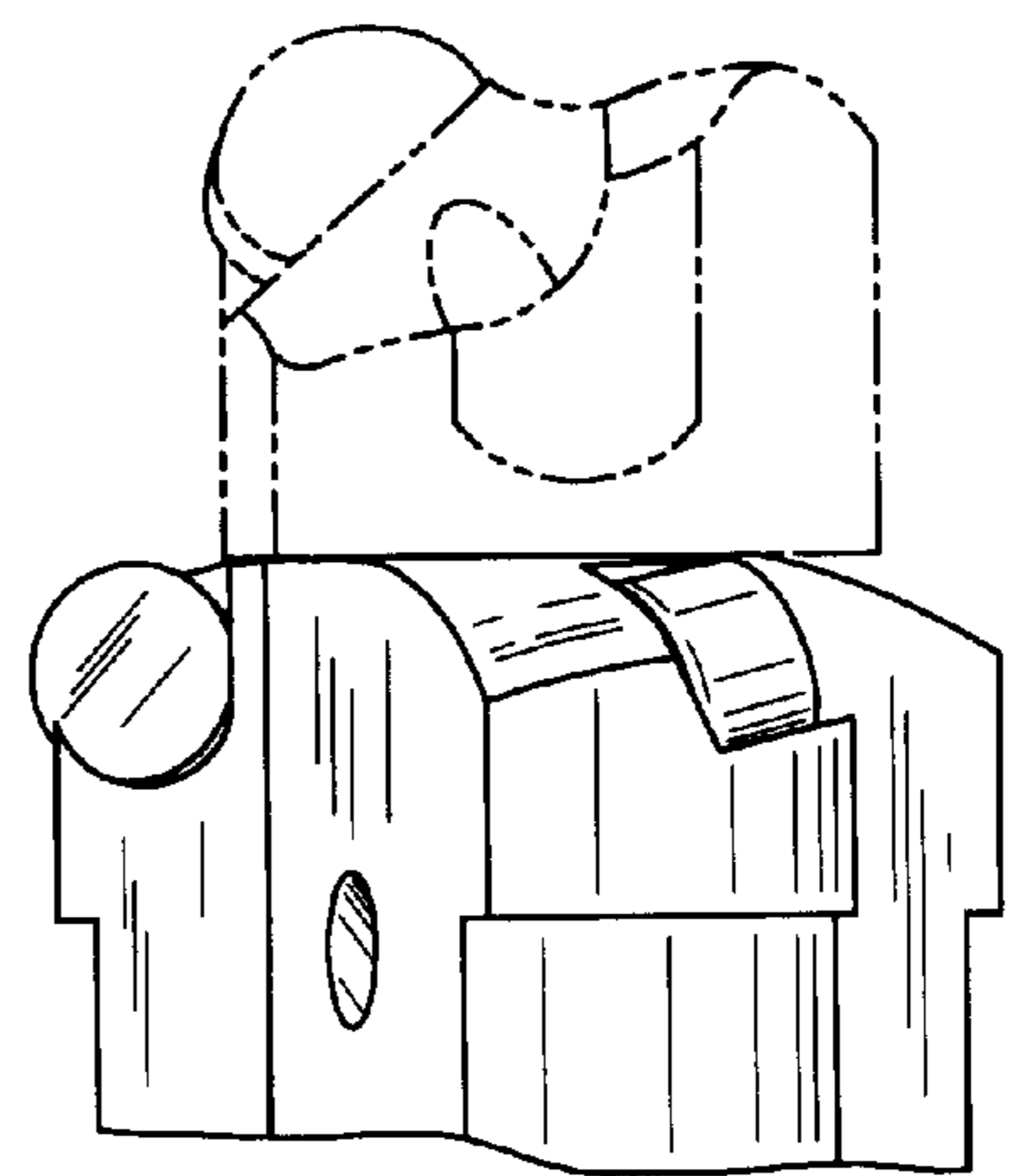


FIG. 4

