



US00D483040S

(12) **United States Design Patent**  
**Yamaguchi**

(10) **Patent No.:** **US D483,040 S**

(45) **Date of Patent:** **\*\* Dec. 2, 2003**

(54) **FACSIMILE MACHINE**

(75) **Inventor:** **Yasutake Yamaguchi, Chiryu (JP)**

(73) **Assignee:** **Brother Industries, Ltd., Nagoya (JP)**

(\*\*) **Term:** **14 Years**

(21) **Appl. No.:** **29/177,970**

(22) **Filed:** **Mar. 20, 2003**

(30) **Foreign Application Priority Data**

Dec. 27, 2002 (JP) ..... 2002-036669

(51) **LOC (7) Cl.** ..... **16-03**

(52) **U.S. Cl.** ..... **D14/471**

(58) **Field of Search** ..... D14/462-471;  
D21/329; 358/400, 401, 404, 405, 475,  
474, 479, 305, 468, 448, 434, 442

(56) **References Cited**

**U.S. PATENT DOCUMENTS**

- D328,741 S \* 8/1992 Fujiwara et al. .... D14/467
- D331,405 S \* 12/1992 Inukai ..... D14/467
- D428,419 S \* 7/2000 Nakamura ..... D14/467

6,163,385 A \* 12/2000 Kajander ..... 358/475

D448,774 S \* 10/2001 Benedetto et al. .... D14/467

D458,270 S \* 6/2002 Anderson et al. .... D14/467

6,496,284 B1 \* 12/2002 Dow et al. .... 358/404

6,559,977 B2 \* 5/2003 Sasai et al. .... 358/400

\* cited by examiner

*Primary Examiner*—Prabhakar Deshmukh

(74) *Attorney, Agent, or Firm*—Oliff & Berridge, PLC

(57) **CLAIM**

The ornamental design for a facsimile machine, as shown and described.

**DESCRIPTION**

FIG. 1 is a front view of a facsimile machine;

FIG. 2 is a top view thereof;

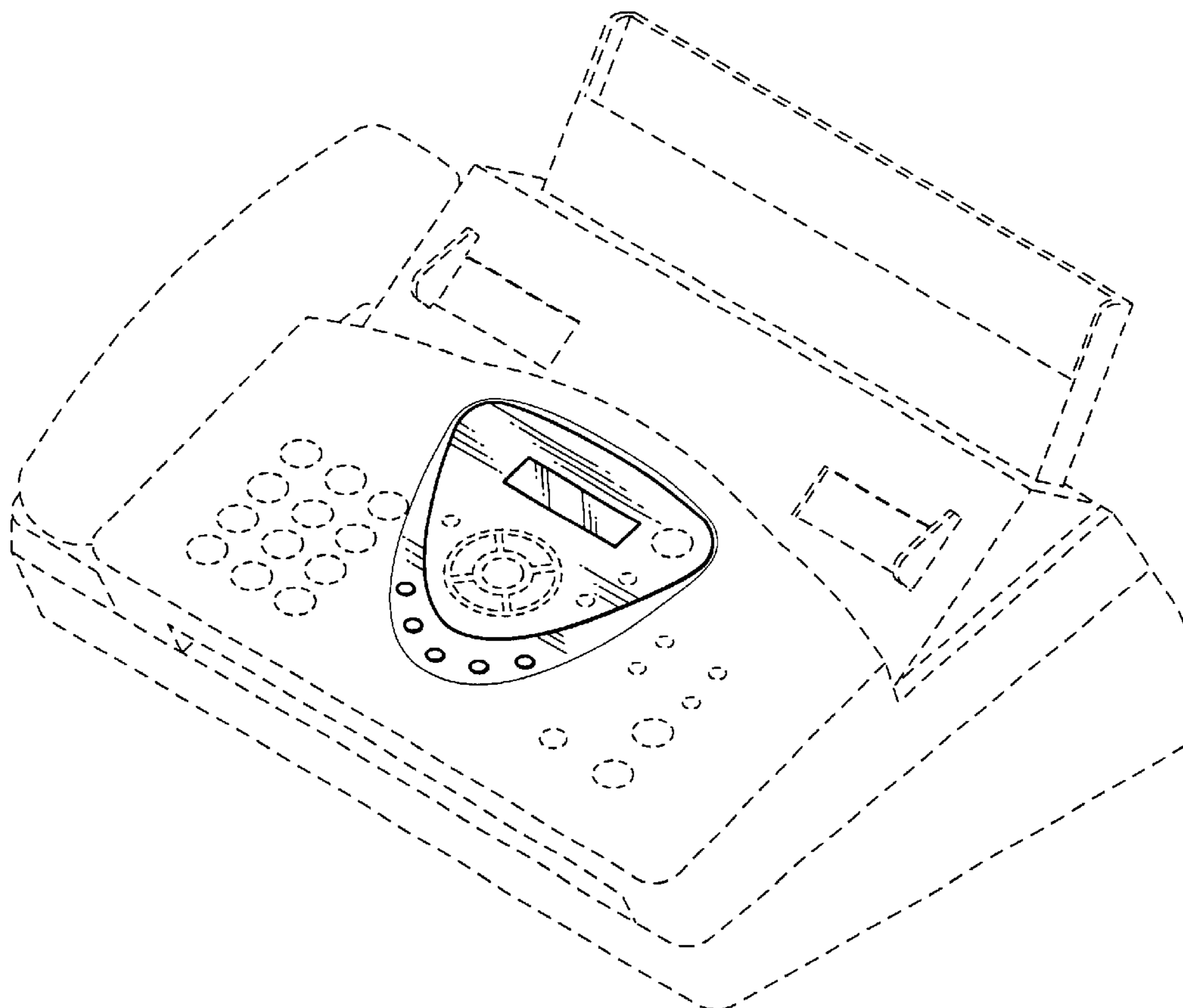
FIG. 3 is a right side view thereof; and,

FIG. 4 is a perspective view thereof.

The left, rear and bottom views contain no ornamentality and are omitted.

The broken line showing is for illustrative purposes only and forms no part of the claimed design.

**1 Claim, 2 Drawing Sheets**



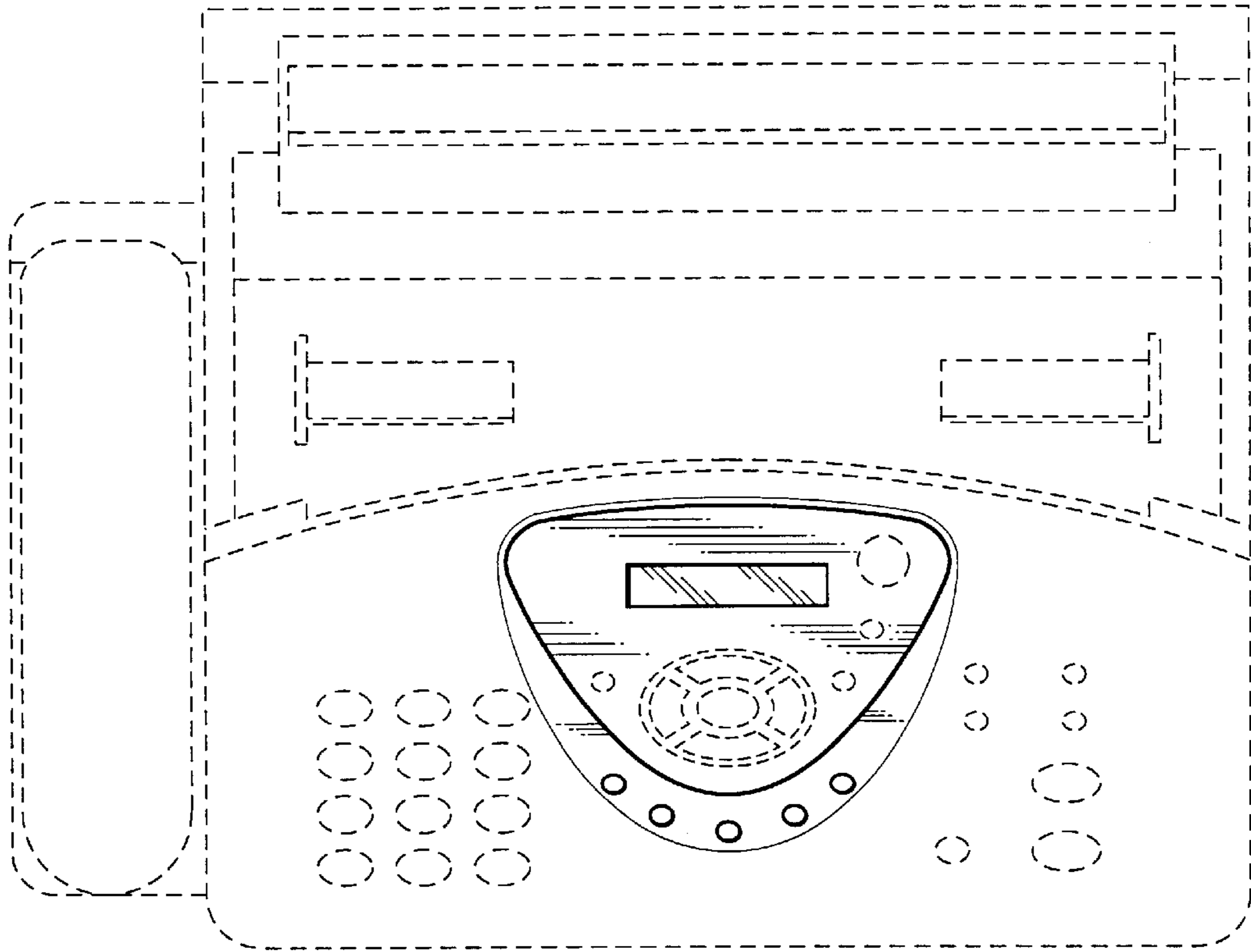


FIG. 2

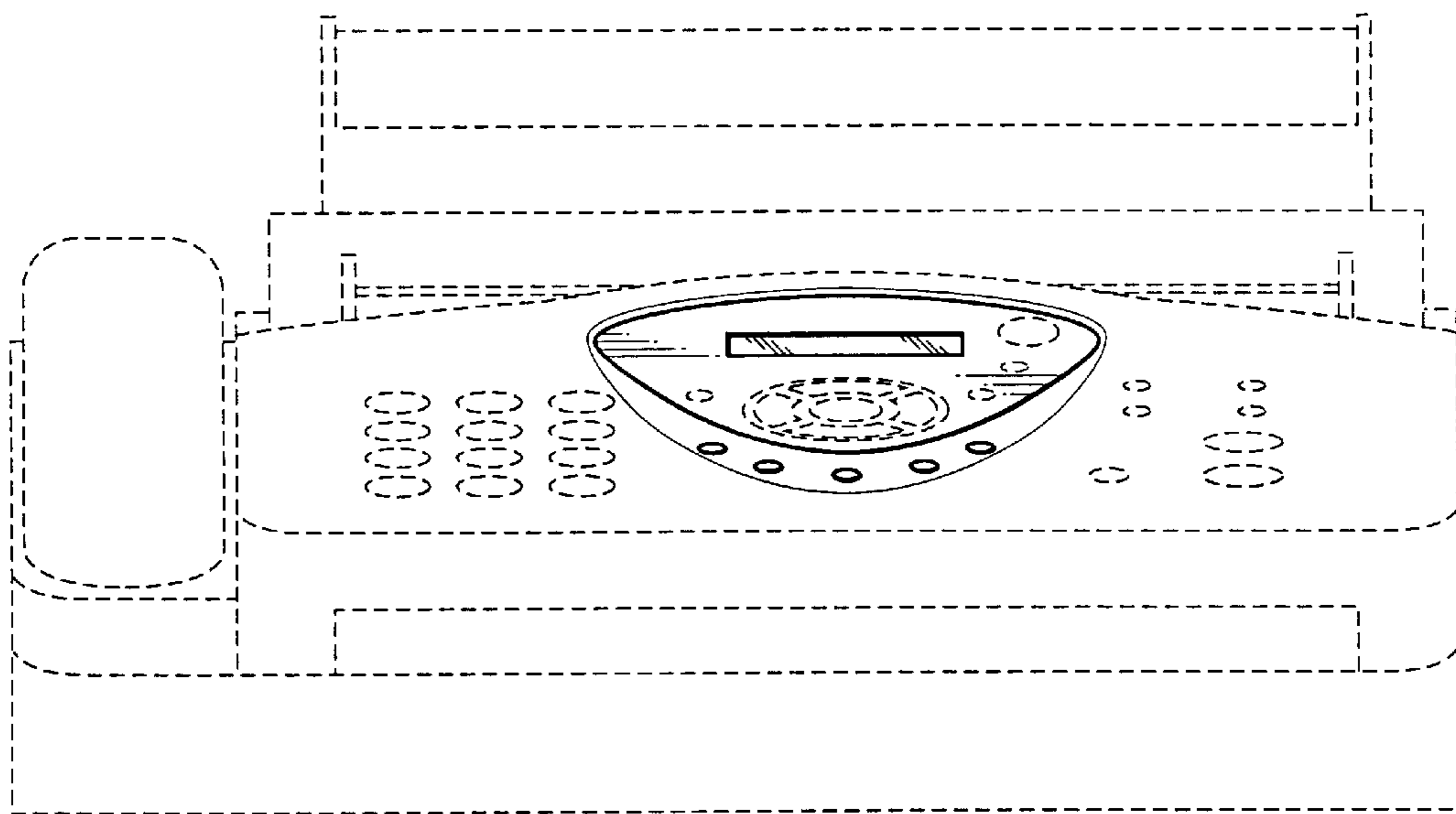


FIG. 1

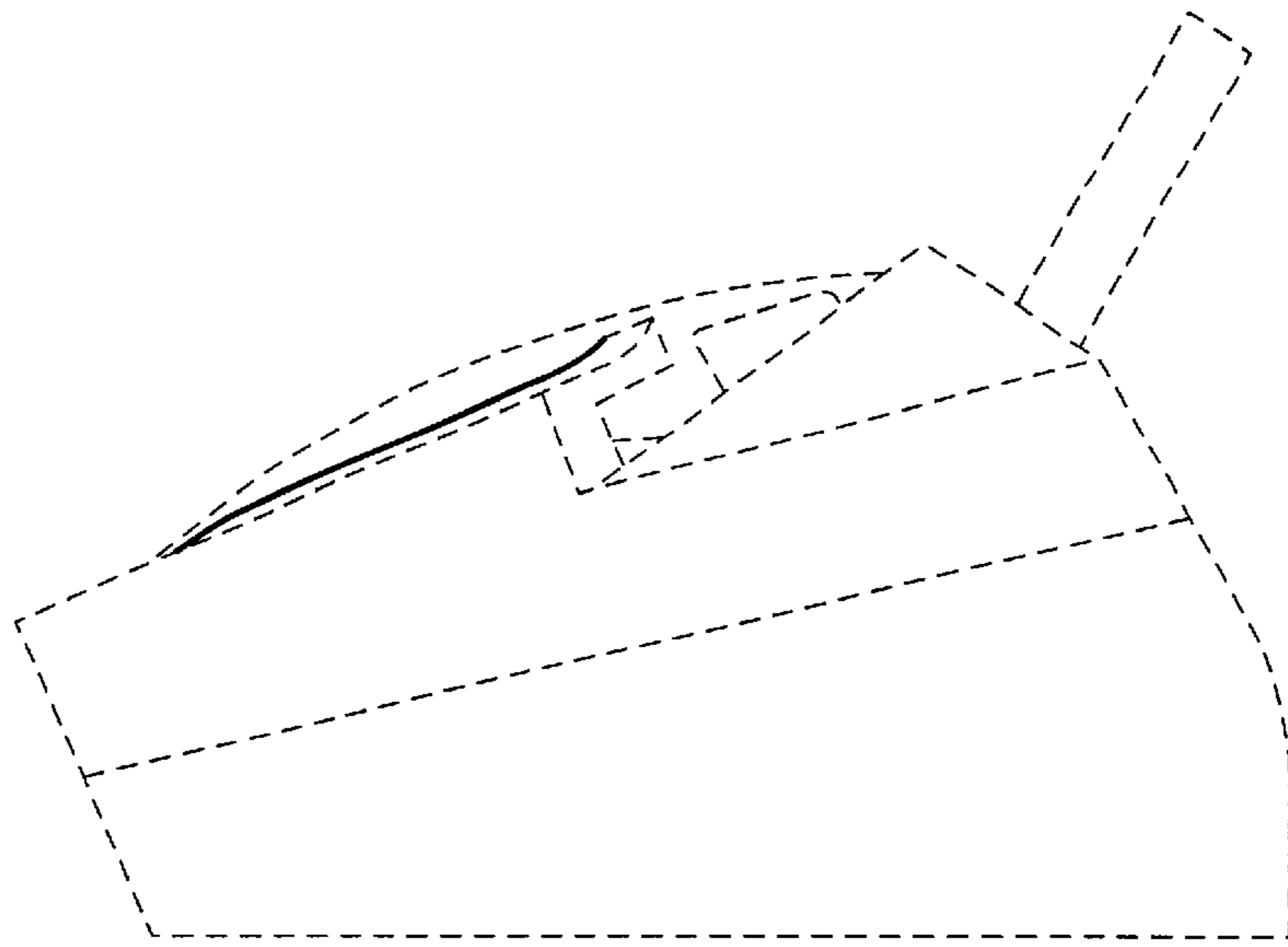


FIG. 3

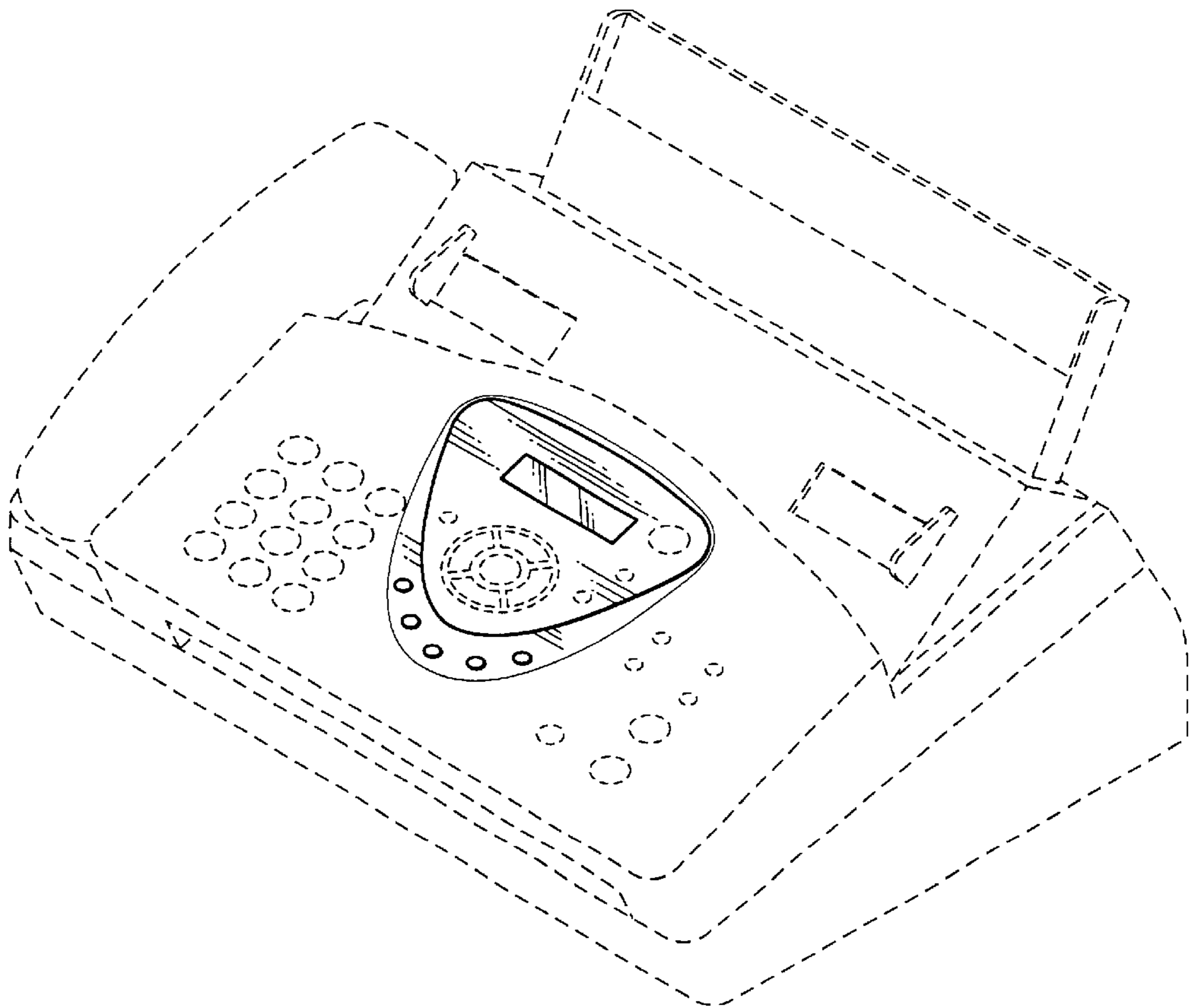


FIG. 4