



US00D483037S

(12) **United States Design Patent**
Whitehorn et al.

(10) **Patent No.:** **US D483,037 S**

(45) **Date of Patent:** **** Dec. 2, 2003**

(54) **FLAT PANEL DISPLAY**

(75) Inventors: **Symon Whitehorn**, San Francisco, CA (US); **Marcus Schmitt**, San Francisco, CA (US)

(73) Assignee: **Hewlett-Packard Development Company, L.P.**, Houston, TX (US)

(**) Term: **14 Years**

(21) Appl. No.: **29/170,033**

(22) Filed: **Oct. 30, 2002**

(51) **LOC (7) Cl.** **14-02**

(52) **U.S. Cl.** **D14/375**

(58) **Field of Search** D14/371-375,
D14/125-129; 248/917-924; 345/104, 156,
168, 173, 87; 348/180, 184, 325, 739; 341/12;
349/1, 2, 11, 62

(56) **References Cited**

U.S. PATENT DOCUMENTS

D293,579 S * 1/1988 Davis D14/375

D323,324 S * 1/1992 Suda D14/125
5,708,458 A * 1/1998 Vrbanac 345/156
D464,050 S * 10/2002 Mori D14/375

* cited by examiner

Primary Examiner—Freda Nunn

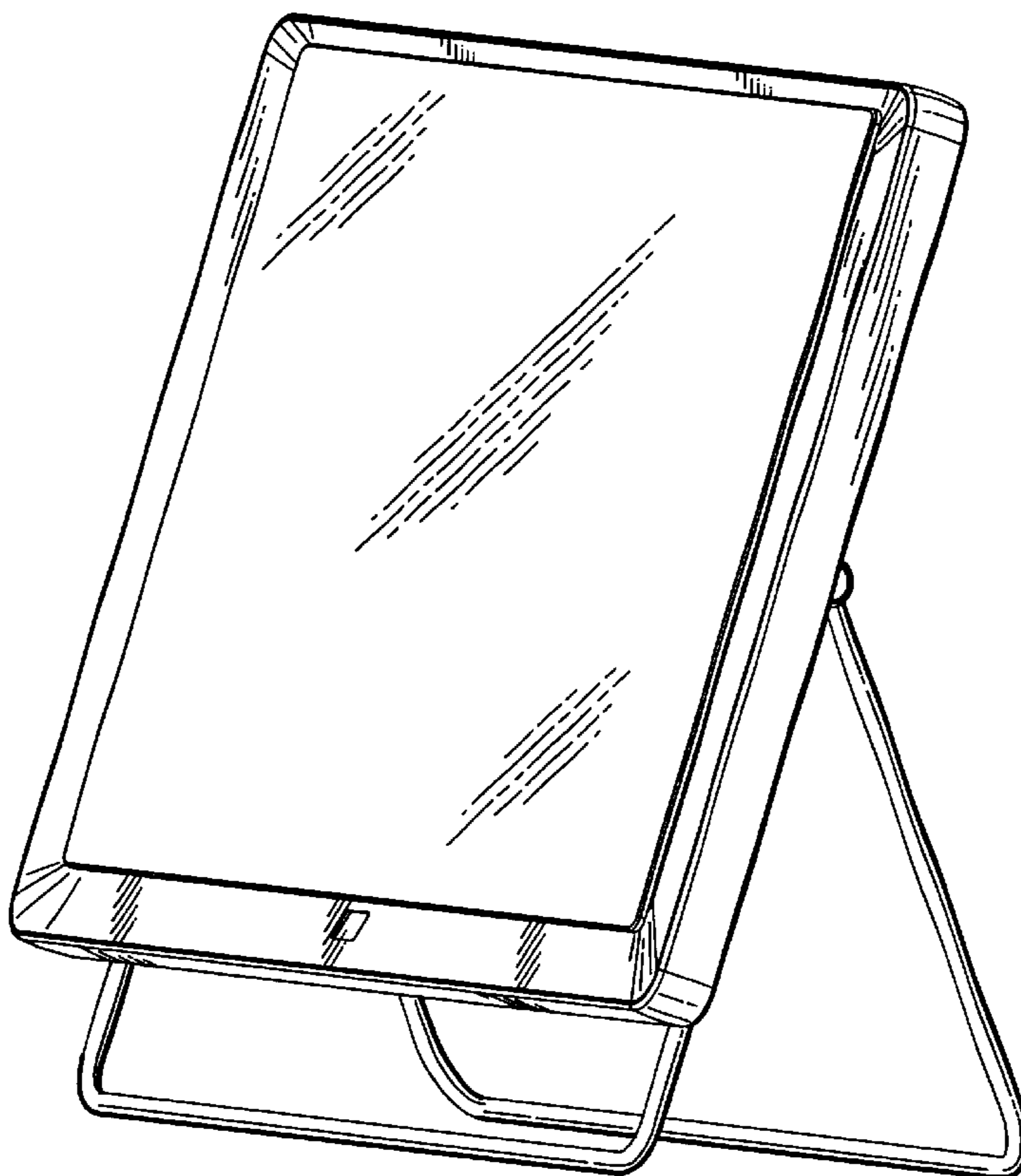
(57) **CLAIM**

The ornamental design for a flat panel display, as shown and described.

DESCRIPTION

FIG. 1 is a perspective view of a flat panel display showing the new design;
FIG. 2 is a front elevational view thereof;
FIG. 3 is a rear elevational view thereof;
FIG. 4 is a left side elevational view thereof;
FIG. 5 is a right side elevational view thereof;
FIG. 6 is a top plan view thereof; and,
FIG. 7 is a bottom plan view thereof.

1 Claim, 5 Drawing Sheets



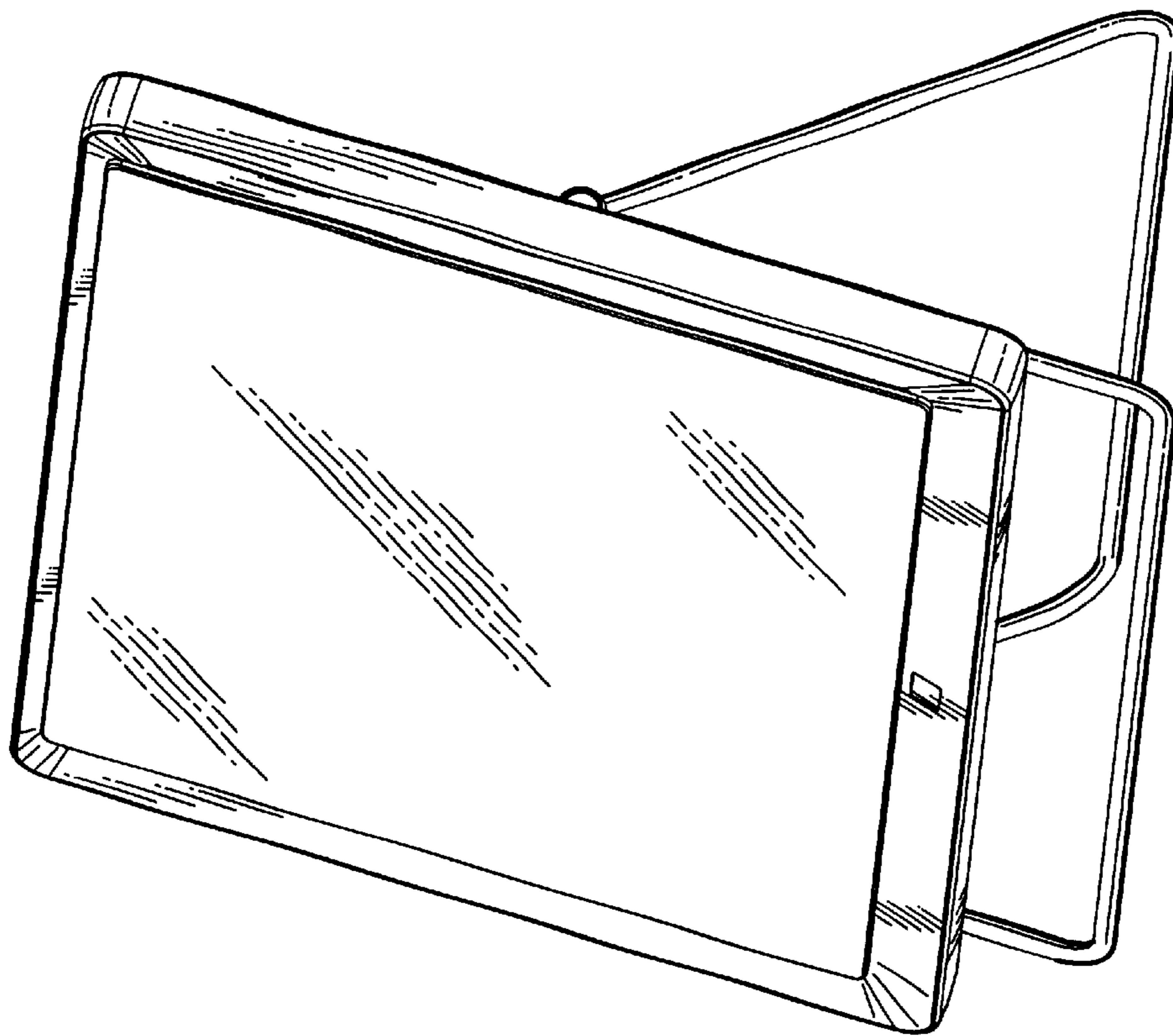


Figure 1

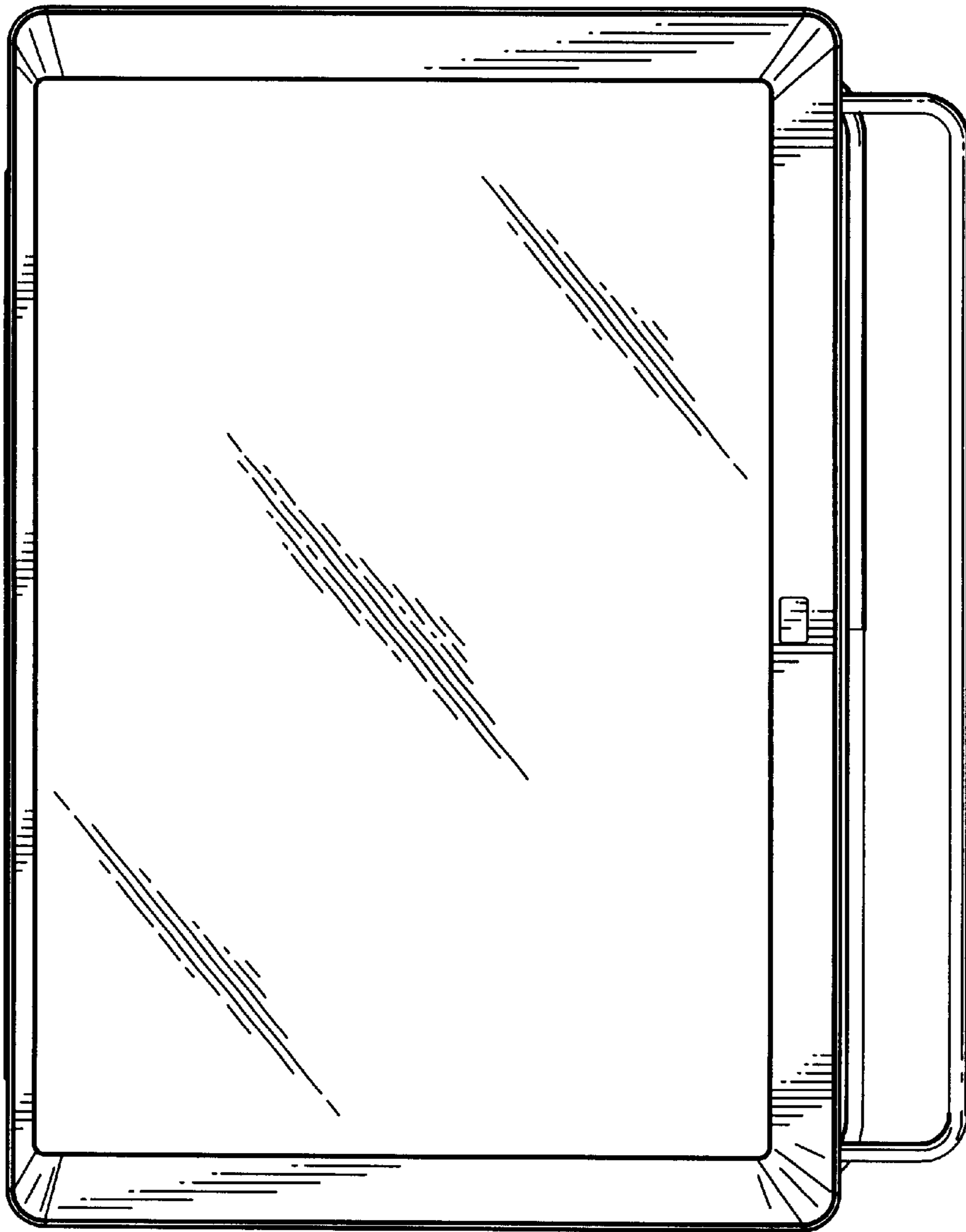


Figure 2

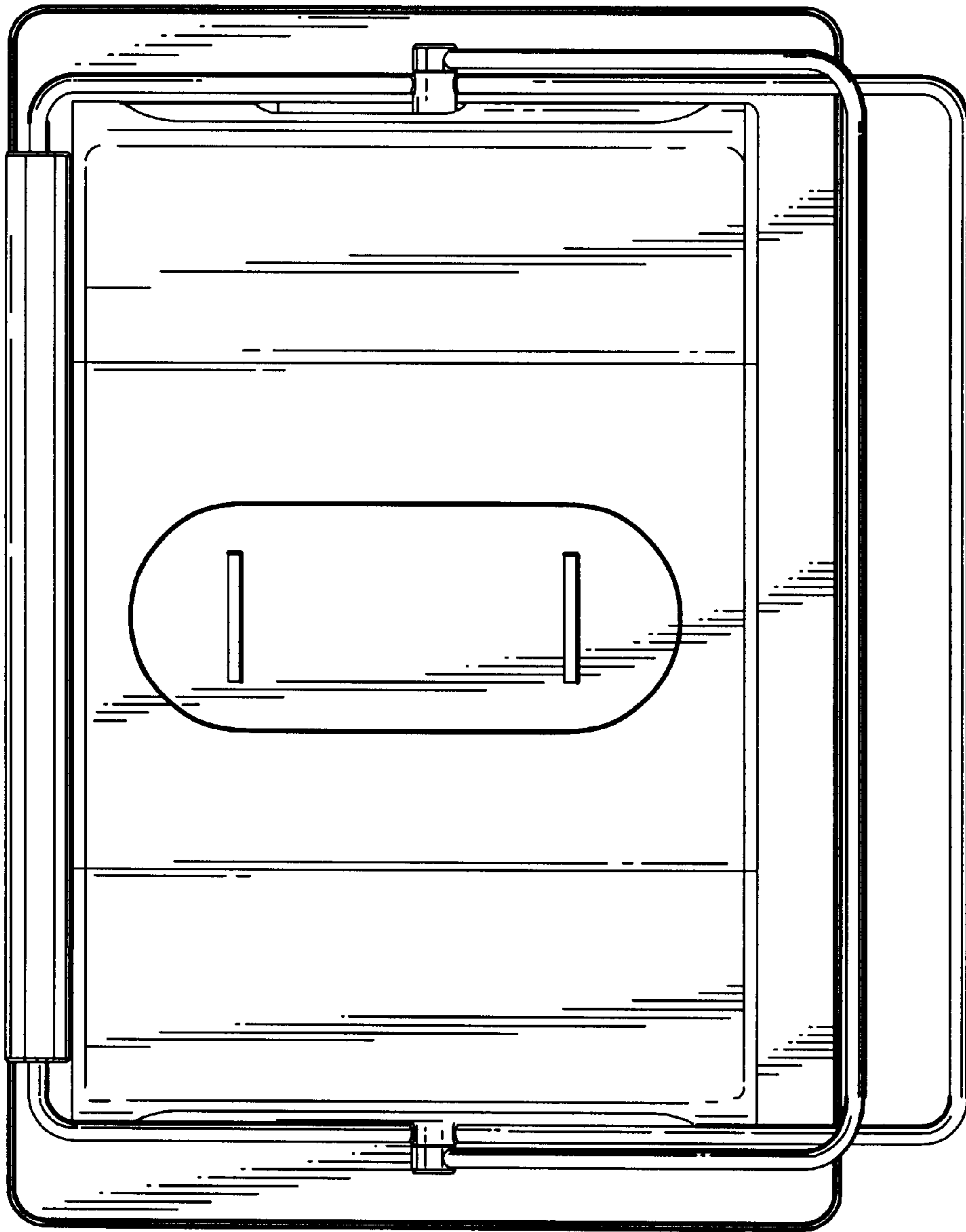


Figure 3

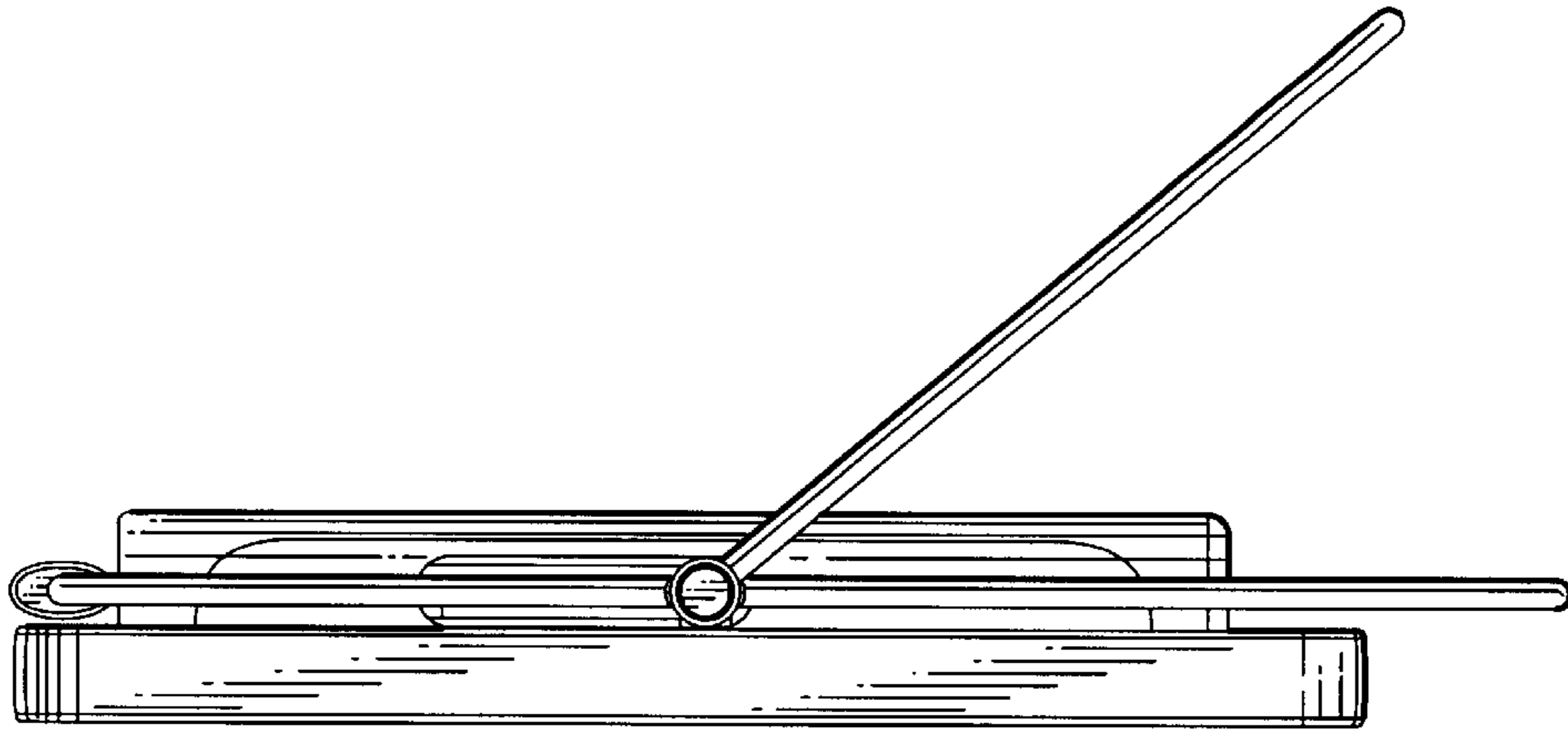


Figure 5

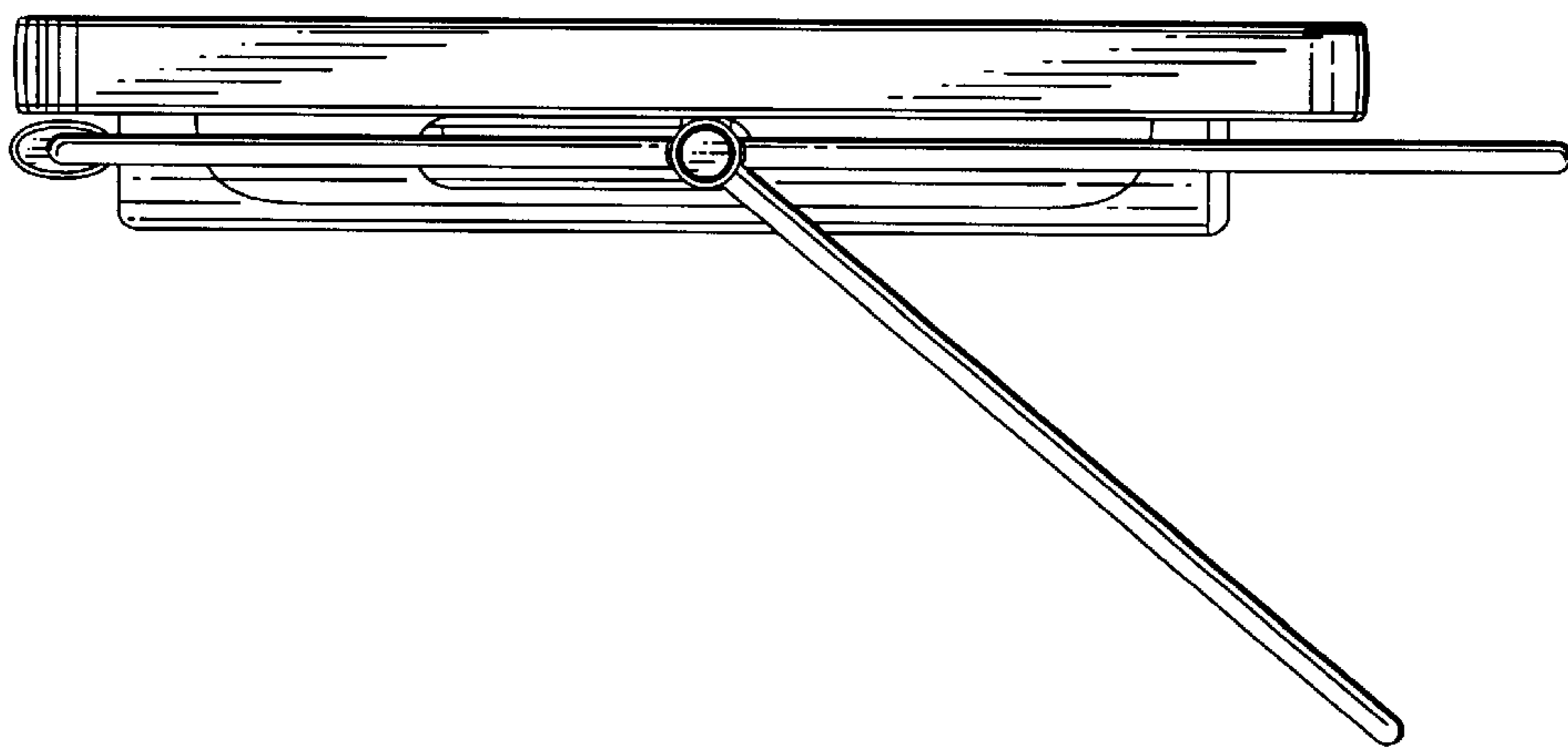


Figure 4

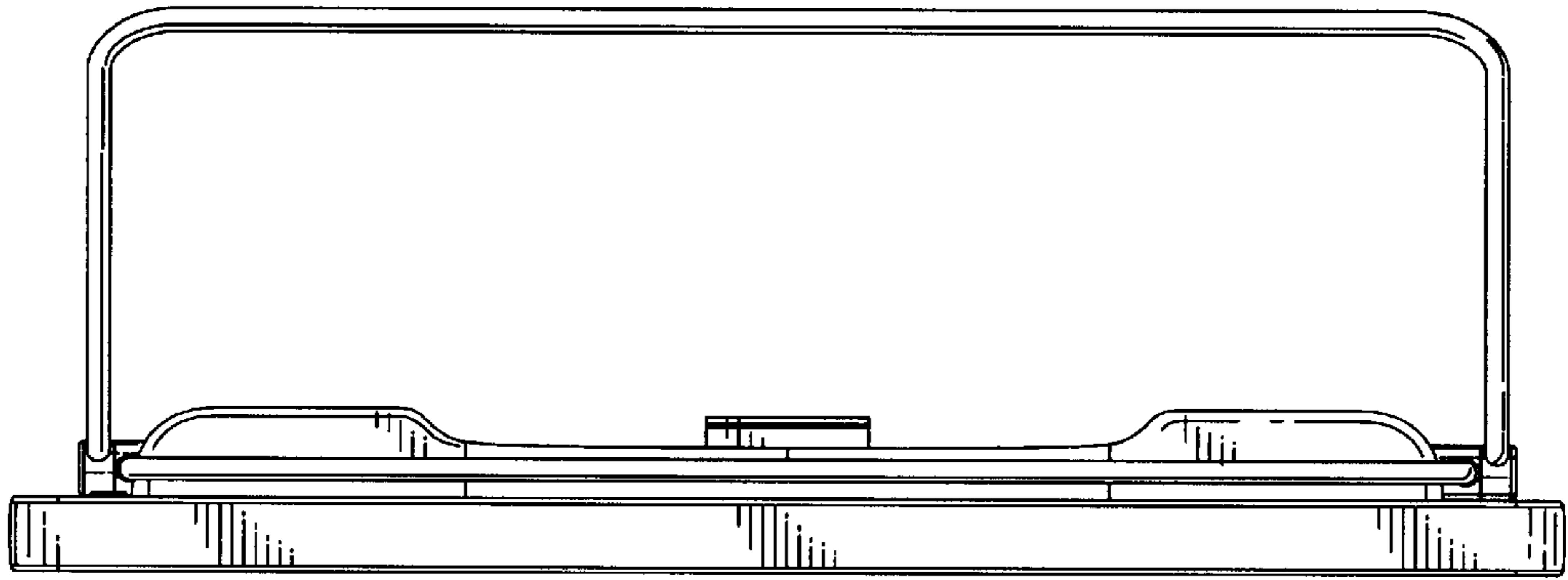


Figure 6

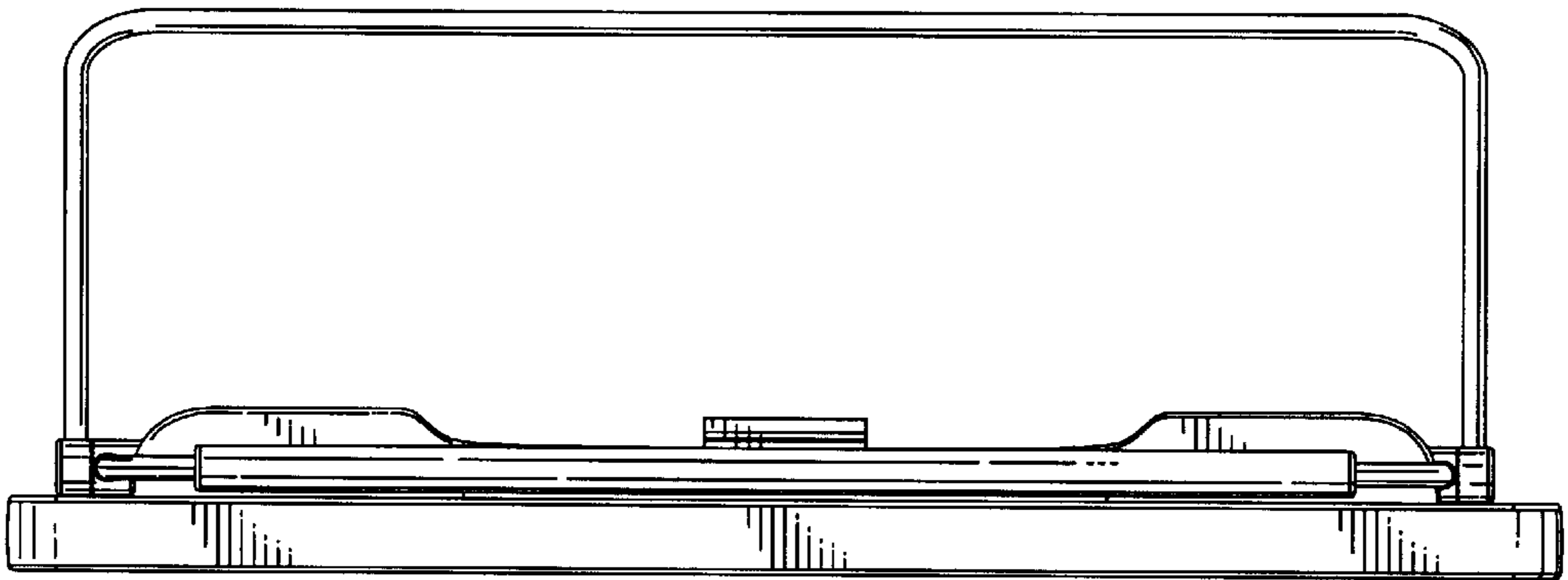


Figure 7