



US00D483036S

(12) **United States Design Patent**
Lee

(10) **Patent No.:** **US D483,036 S**

(45) **Date of Patent:** **** Dec. 2, 2003**

(54) **LCD MONITOR**

(75) **Inventor:** **Yi Sang Lee, Seoul (KR)**

(73) **Assignee:** **Digital Cynos Co., Ltd. (KR)**

(**) **Term:** **14 Years**

(21) **Appl. No.:** **29/154,633**

(22) **Filed:** **Jan. 25, 2002**

(30) **Foreign Application Priority Data**

Oct. 27, 2001 (KR) 2001-30100

(51) **LOC (7) Cl.** **14-02**

(52) **U.S. Cl.** **D14/375**

(58) **Field of Search** D14/336, 371,
D14/374, 375, 125-129; 345/104, 156,
102, 168, 173; 348/180, 184, 325, 739;
248/917-924; 349/1, 2, 11; 341/12

(56) **References Cited**

U.S. PATENT DOCUMENTS

D355,170 S * 2/1995 Mizusugi et al. D14/336

D422,973 S * 4/2000 Imahashi et al. D14/336
6,144,360 A * 11/2000 Evanicky et al. 345/102

* cited by examiner

Primary Examiner—Freda Nunn

(74) *Attorney, Agent, or Firm*—Cantor Colburn LLP

(57) **CLAIM**

I claim, the ornamental design for a LCD monitor, as shown and described.

DESCRIPTION

FIG. 1 is a front, top perspective view of a LCD monitor, showing my new design;

FIG. 2 is a front elevational view thereof;

FIG. 3 is a rear elevational view thereof;

FIG. 4 is a side elevational view thereof;

FIG. 5 is a side elevational view thereof taken from the side opposite that of FIG. 4;

FIG. 6 is a top plan view thereof;

FIG. 7 is a bottom plan view thereof; and,

FIG. 8 is a front perspective view thereof in an alternate position.

1 Claim, 6 Drawing Sheets

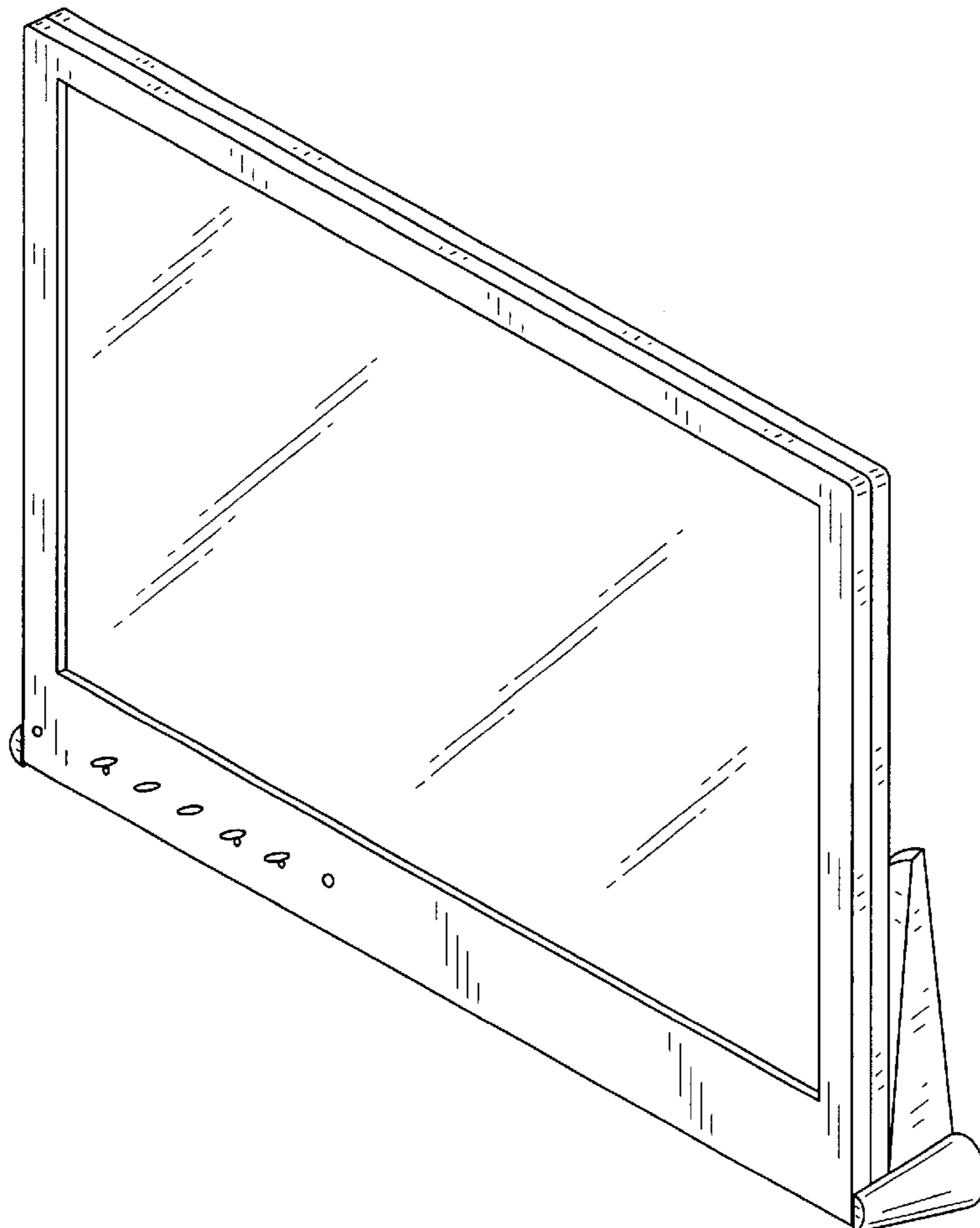


FIG. 1

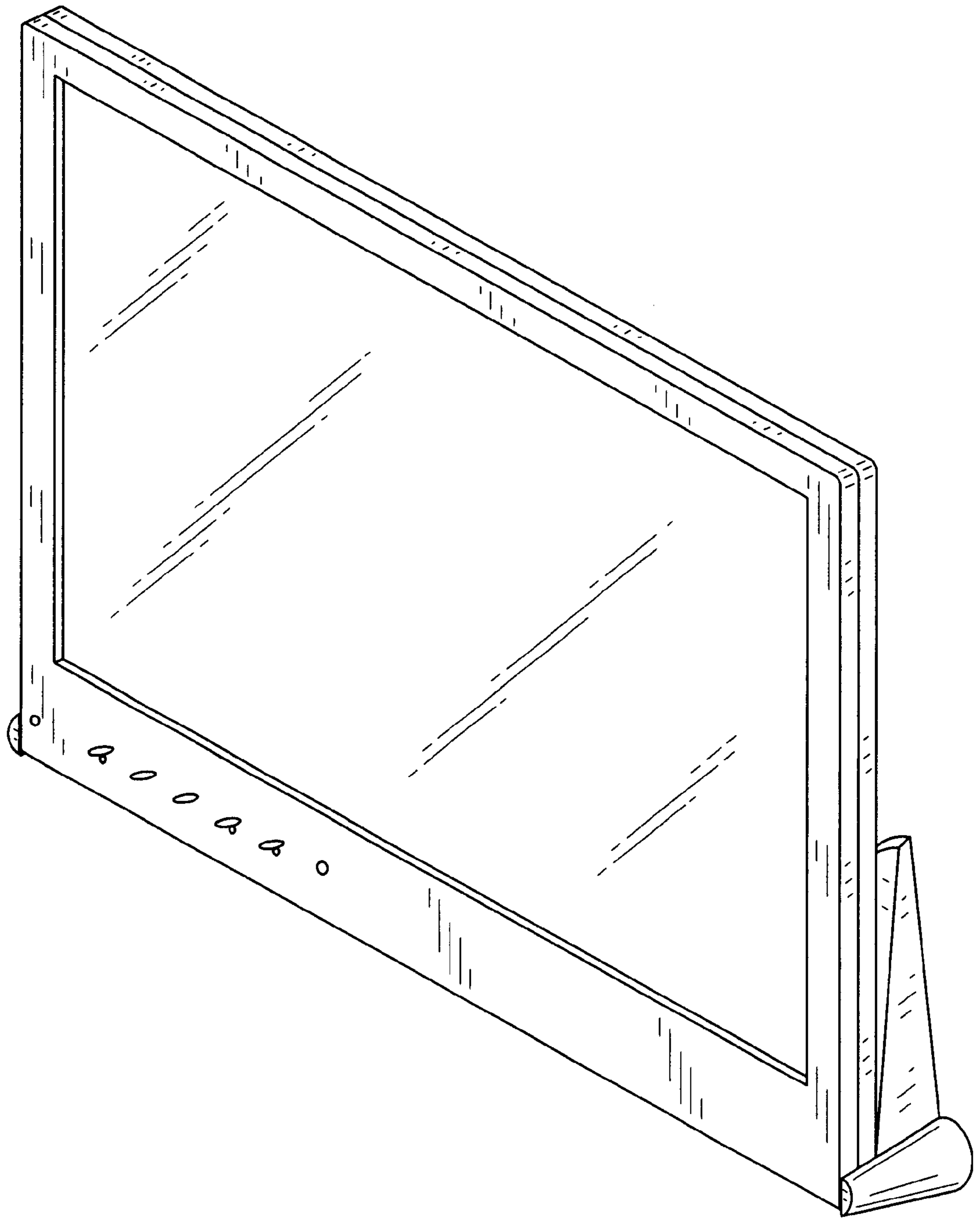


FIG. 2

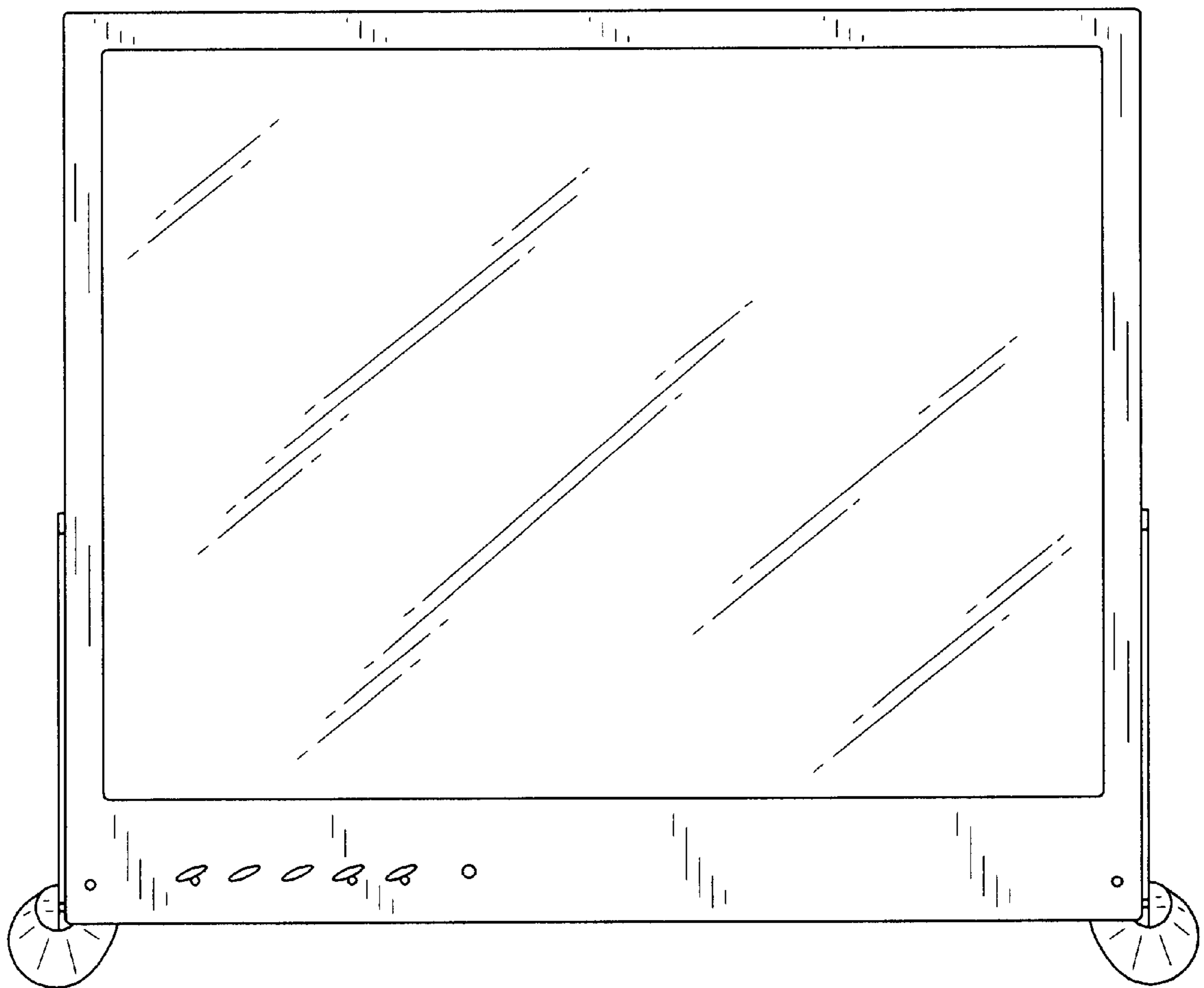


FIG. 3

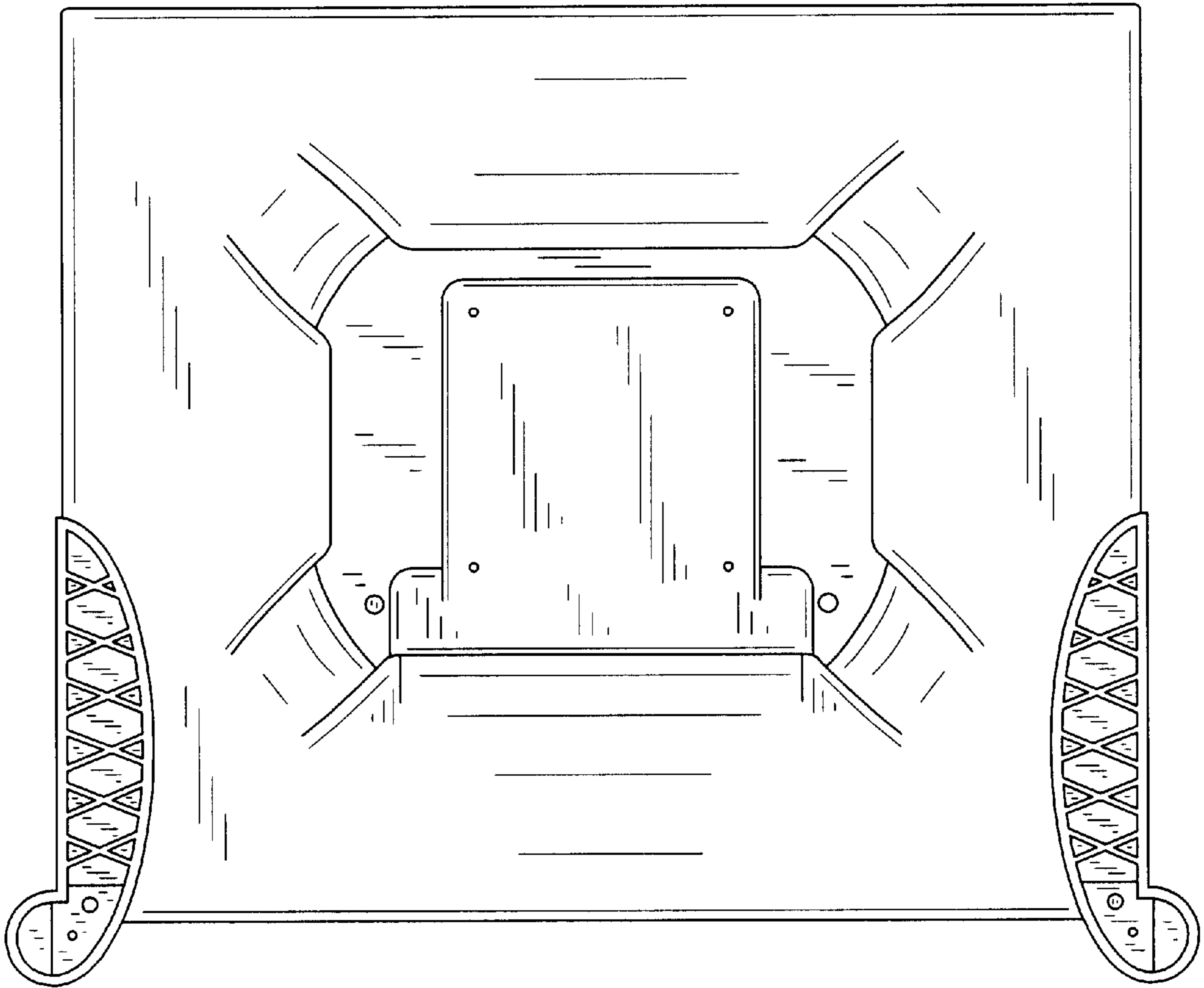


FIG. 5

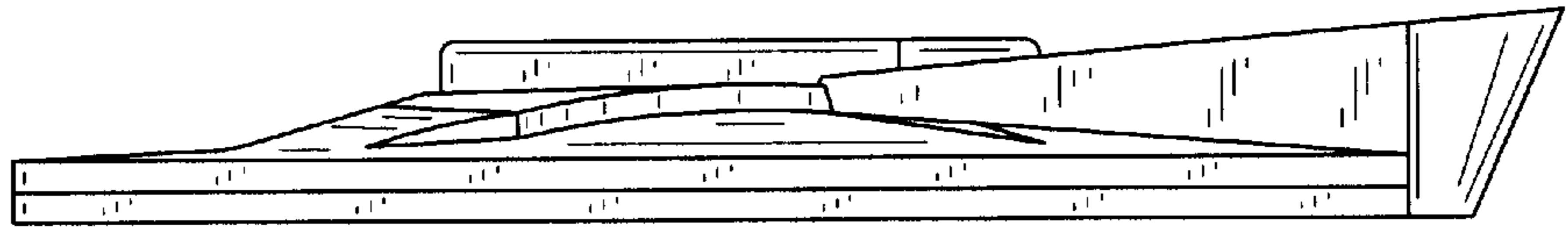


FIG. 4

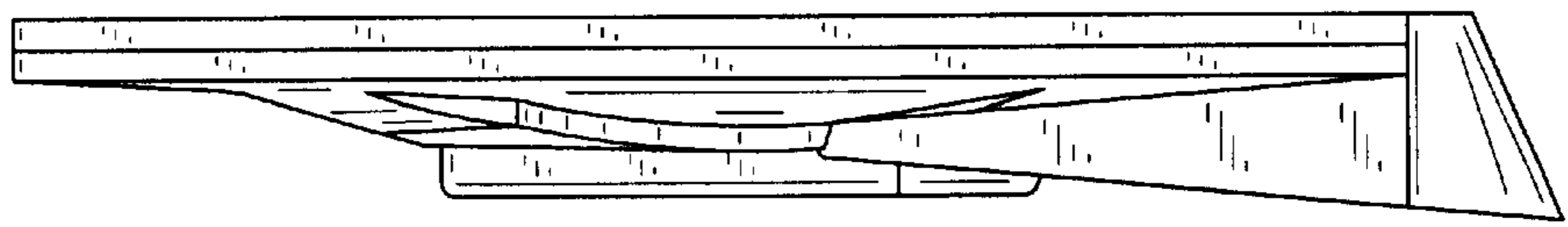


FIG. 6

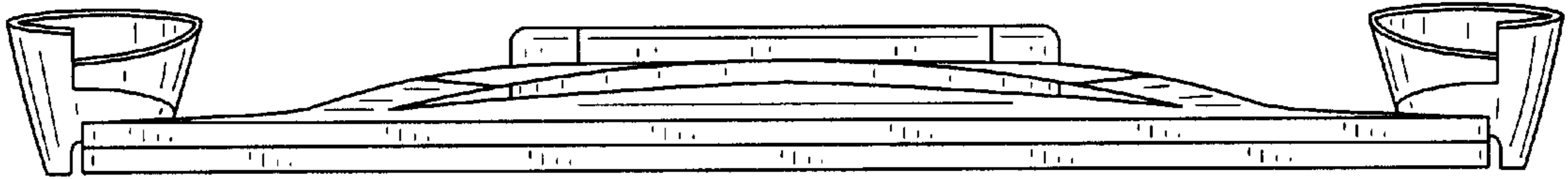


FIG. 7

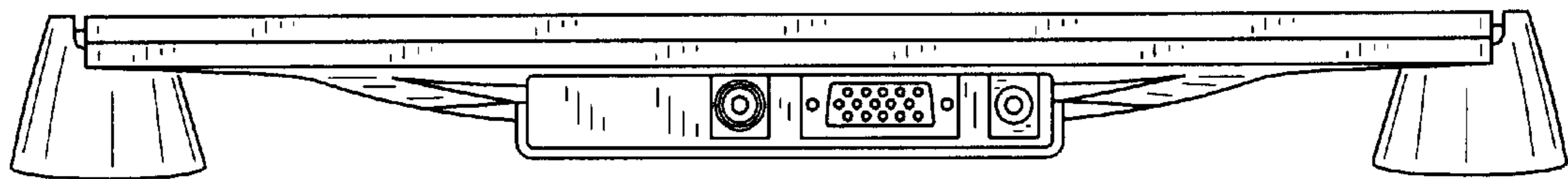


FIG. 8

