



US00D483035S

(12) **United States Design Patent** (10) **Patent No.:** **US D483,035 S**  
**Lee** (45) **Date of Patent:** **\*\* Dec. 2, 2003**

(54) **LCD MONITOR**

D422,973 S \* 4/2000 Imahashi et al. .... D14/336  
6,144,360 A \* 11/2000 Evanicky et al. .... 345/102

(75) Inventor: **Yi Sang Lee**, Seoul (KR)

\* cited by examiner

(73) Assignee: **Digital Cynos Co., Ltd.** (KR)

*Primary Examiner*—Freda Nunn

(\*\*) Term: **14 Years**

(74) *Attorney, Agent, or Firm*—Cantor Colburn LLP

(21) Appl. No.: **29/154,629**

(57) **CLAIM**

(22) Filed: **Jan. 25, 2002**

The ornamental design for a LCD monitor, as shown and described.

(30) **Foreign Application Priority Data**

**DESCRIPTION**

Oct. 27, 2001 (KR) ..... 2001-0030101

FIG. 1 is a front, top perspective view of a LCD monitor, showing my new design;

(51) **LOC (7) Cl.** ..... **14-02**

FIG. 2 is a front elevational view thereof;

(52) **U.S. Cl.** ..... **D14/375**

FIG. 3 is a rear elevational view thereof;

(58) **Field of Search** ..... D14/336, 371,

FIG. 4 is a side elevational view thereof;

D14/374, 375, 125-129; 345/104, 156,

FIG. 5 is a side elevational view thereof taken from the side opposite that of FIG. 4;

102, 168, 173; 348/180, 184, 325, 739;

FIG. 6 is a top plan view thereof;

248/917-924; 349/1, 2, 11; 341/12

FIG. 7 is a bottom plan view thereof; and,

(56) **References Cited**

FIG. 8 is a front perspective view thereof in an alternate position.

**U.S. PATENT DOCUMENTS**

D355,170 S \* 2/1995 Mizusugi et al. .... D14/336

**1 Claim, 6 Drawing Sheets**

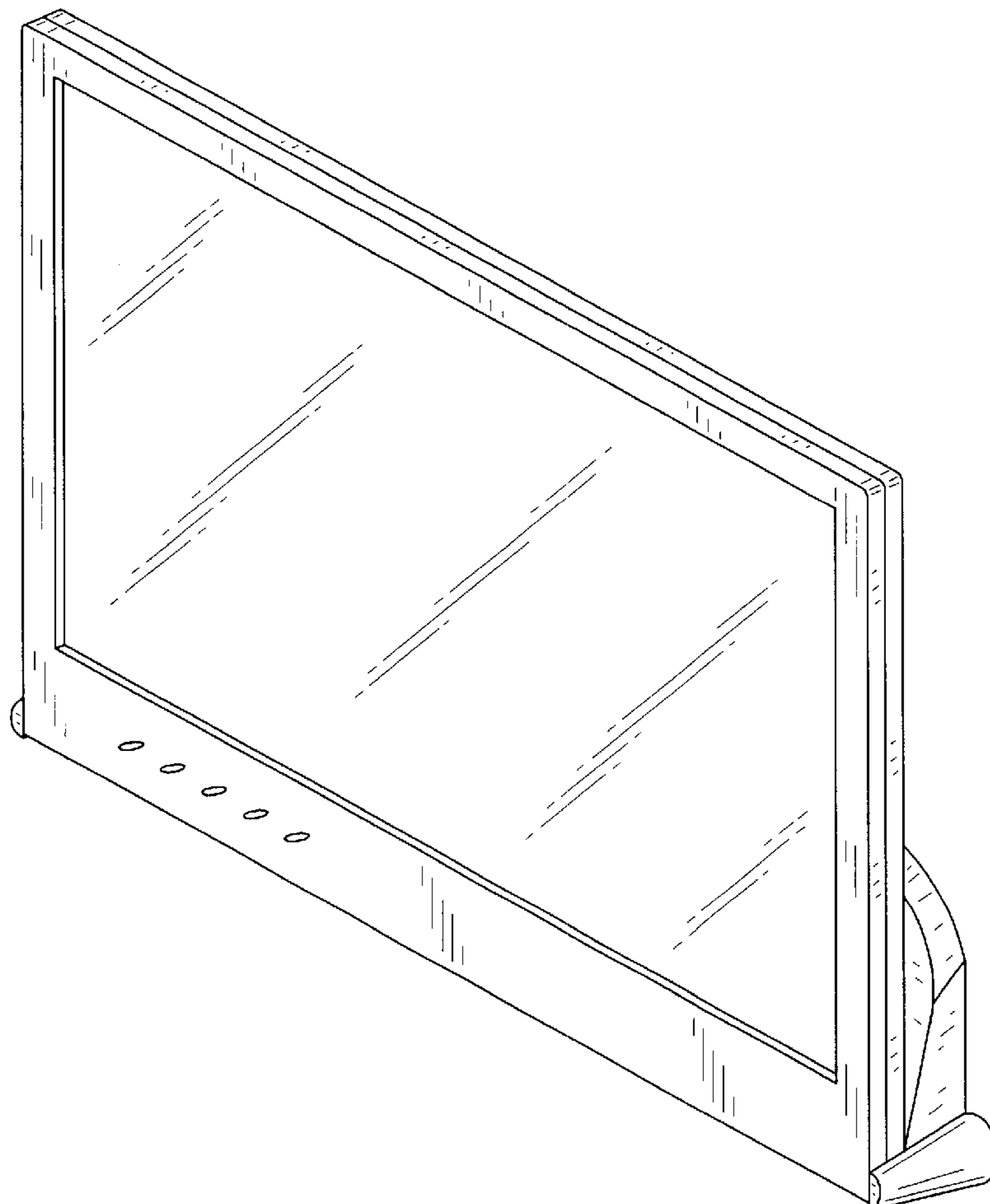


FIG. 1

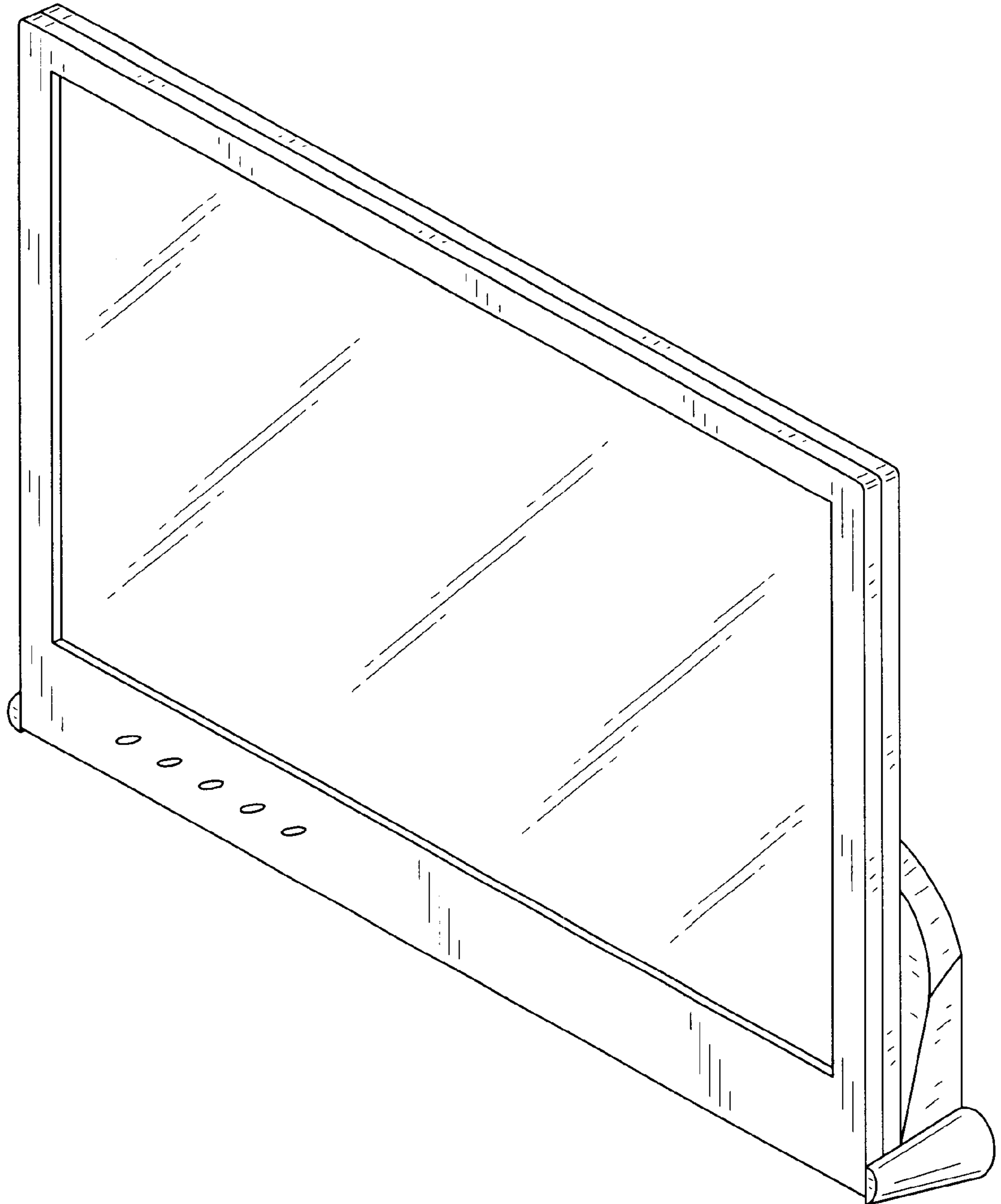


FIG. 2

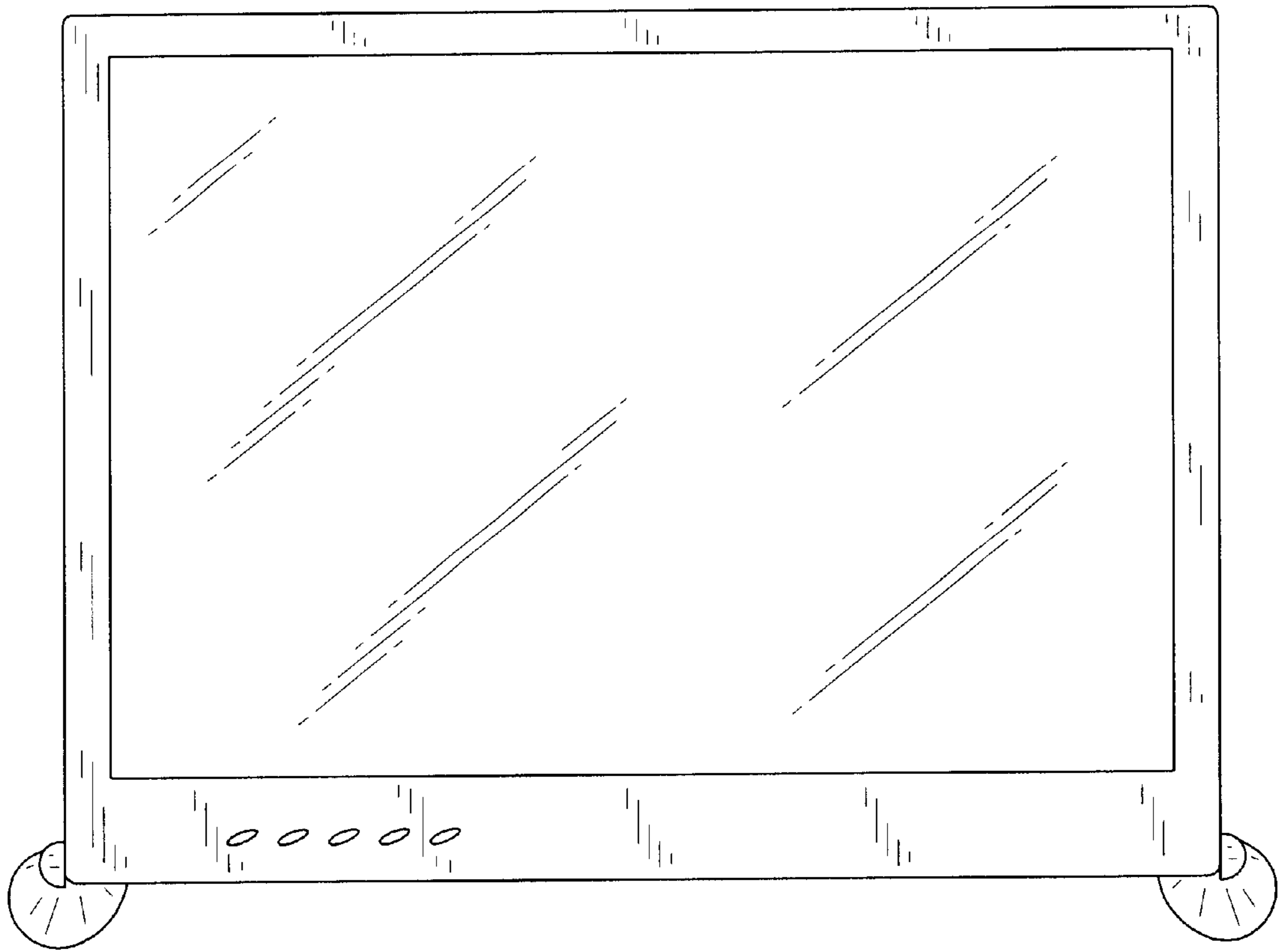


FIG. 3

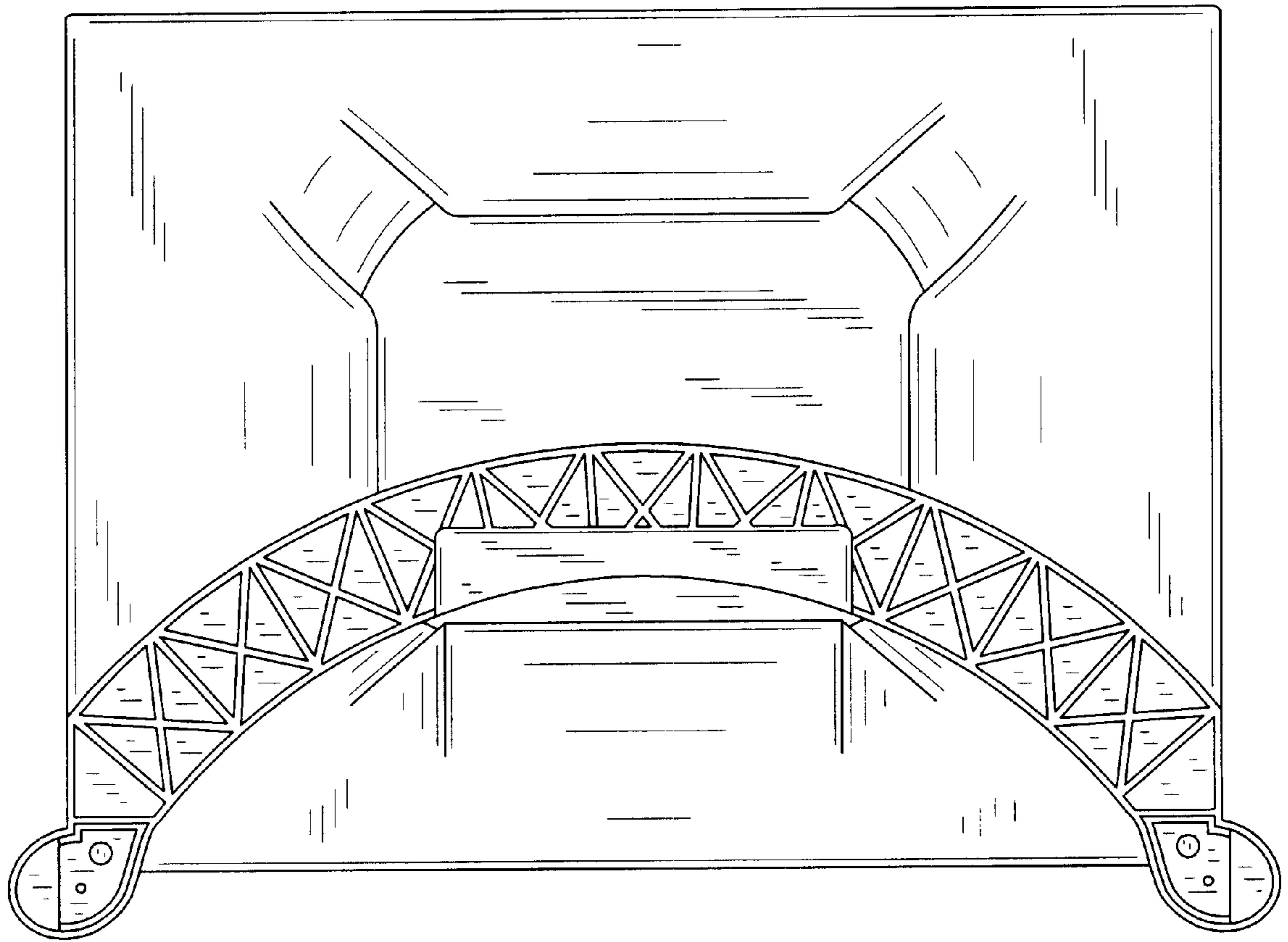


FIG. 4

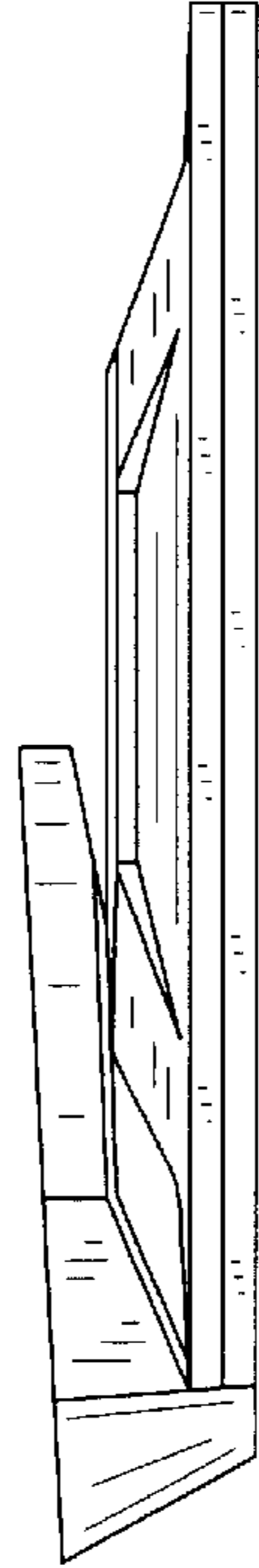


FIG. 5

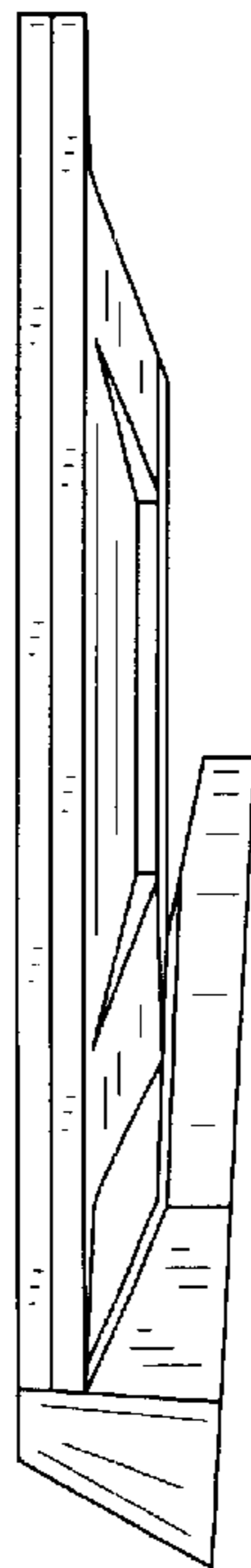


FIG. 6

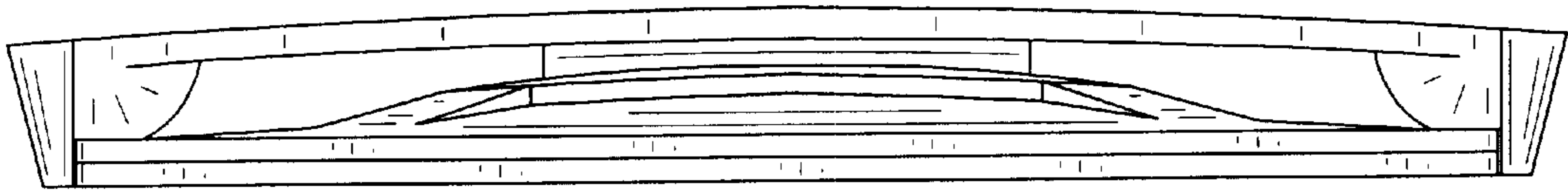


FIG. 7

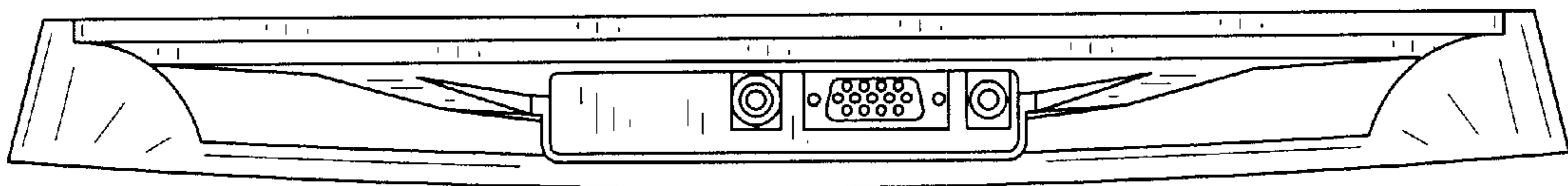


FIG. 8

