



US00D483029S

(12) **United States Design Patent**
Yamamoto et al.

(10) **Patent No.:** **US D483,029 S**

(45) **Date of Patent:** **** Dec. 2, 2003**

(54) **ANTENNA**

(75) Inventors: **Atsushi Yamamoto**, Osaka (JP); **Koichi Ogawa**, Osaka (JP)

(73) Assignee: **Matsushita Electric Industrial Co., Ltd.**, Osaka (JP)

(**) Term: **14 Years**

(21) Appl. No.: **29/169,348**

(22) Filed: **Oct. 17, 2002**

(30) **Foreign Application Priority Data**

Apr. 17, 2002	(JP)	2002-010365
Apr. 17, 2002	(JP)	2002-010366
Apr. 17, 2002	(JP)	2002-010367
Apr. 17, 2002	(JP)	2002-010368

(51) **LOC (7) Cl.** **14-03**

(52) **U.S. Cl.** **D14/230**

(58) **Field of Search** 343/700 MS, 702, 343/841, 829, 866, 846, 767, 789, 872, 873; D14/230; 455/90, 128, 347

(56) **References Cited**

U.S. PATENT DOCUMENTS

4,644,361	A	*	2/1987	Yokoyama	343/700 MS
5,790,080	A	*	8/1998	Apostolos	343/744
5,880,697	A	*	3/1999	McCarrick et al.	343/846
6,204,819	B1	*	3/2001	Hayes et al.	343/702
6,480,158	B2	*	11/2002	Apostolos	343/700 MS
6,486,847	B1	*	11/2002	Yamamoto et al.	343/646
6,504,508	B2	*	1/2003	Apostolos	343/700 MS

* cited by examiner

Primary Examiner—Louis S. Zarfaz

Assistant Examiner—Deanne Levy

(74) *Attorney, Agent, or Firm*—Christensen O'Connor Johnson Kindness PLLC

(57) **CLAIM**

The ornamental design for an antenna, as shown and described.

DESCRIPTION

FIG. 1 is a perspective view of the front, bottom and left side of an antenna showing our new design;
 FIG. 2 is a front view thereof;
 FIG. 3 is a rear view thereof;
 FIG. 4 is a left side view thereof;
 FIG. 5 is a top plan view thereof;
 FIG. 6 is a perspective view of the front, bottom and left side of an antenna showing our new design of second embodiment;
 FIG. 7 is a front view thereof;
 FIG. 8 is a rear view thereof;
 FIG. 9 is a left side view thereof;
 FIG. 10 is a top plan view thereof;
 FIG. 11 is a perspective view of the front, bottom and left side of an antenna showing our new design of third embodiment;
 FIG. 12 is a front view thereof;
 FIG. 13 is a rear view thereof;
 FIG. 14 is a left side view thereof;
 FIG. 15 is a top plan view thereof;
 FIG. 16 is a perspective view of the front, bottom and left side of an antenna showing our new design of fourth embodiment;
 FIG. 17 is a front view thereof;
 FIG. 18 is a rear view thereof;
 FIG. 19 is a left side view thereof; and,
 FIG. 20 is a top plan view thereof.

1 Claim, 8 Drawing Sheets

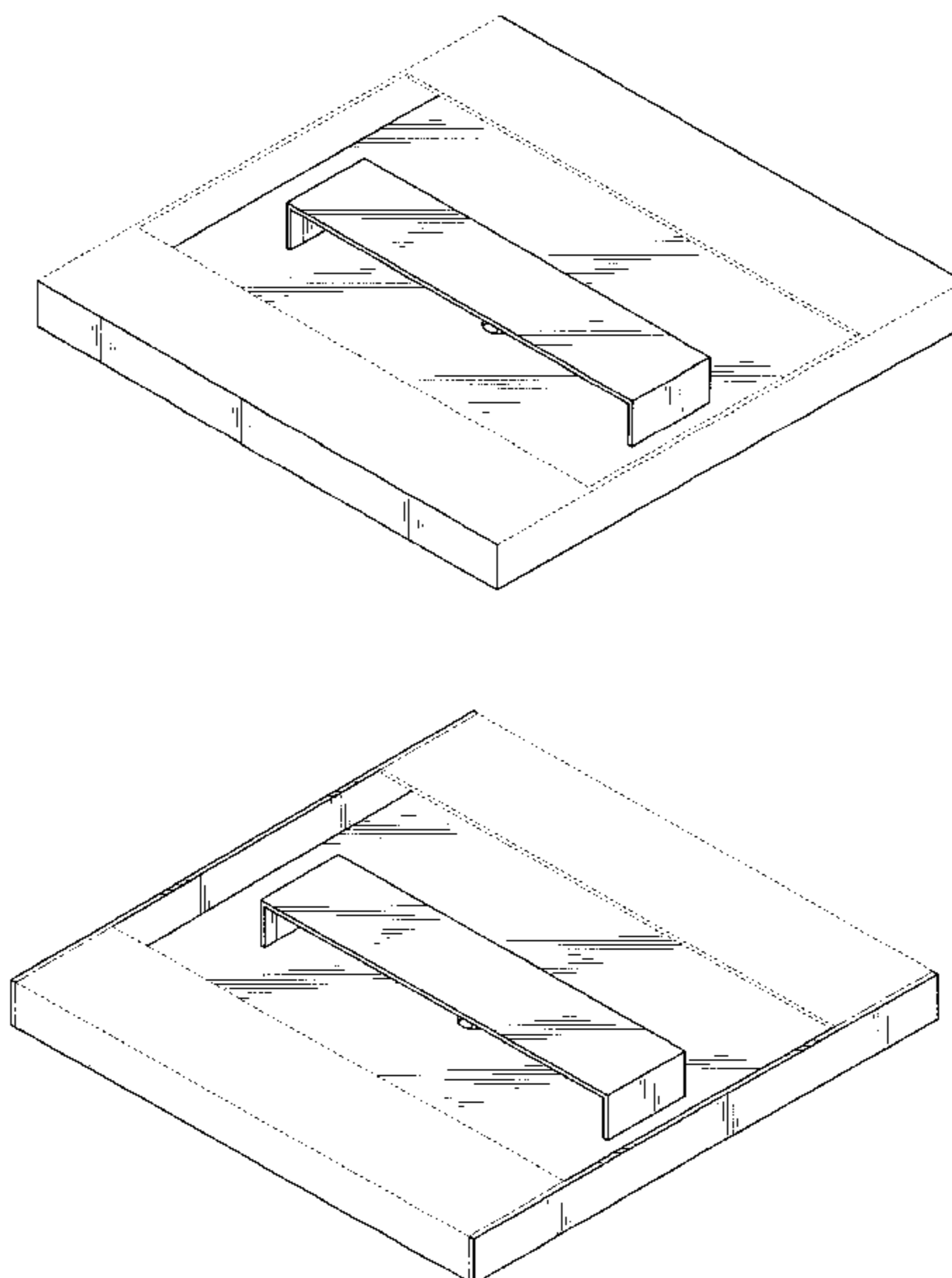


FIG. 1

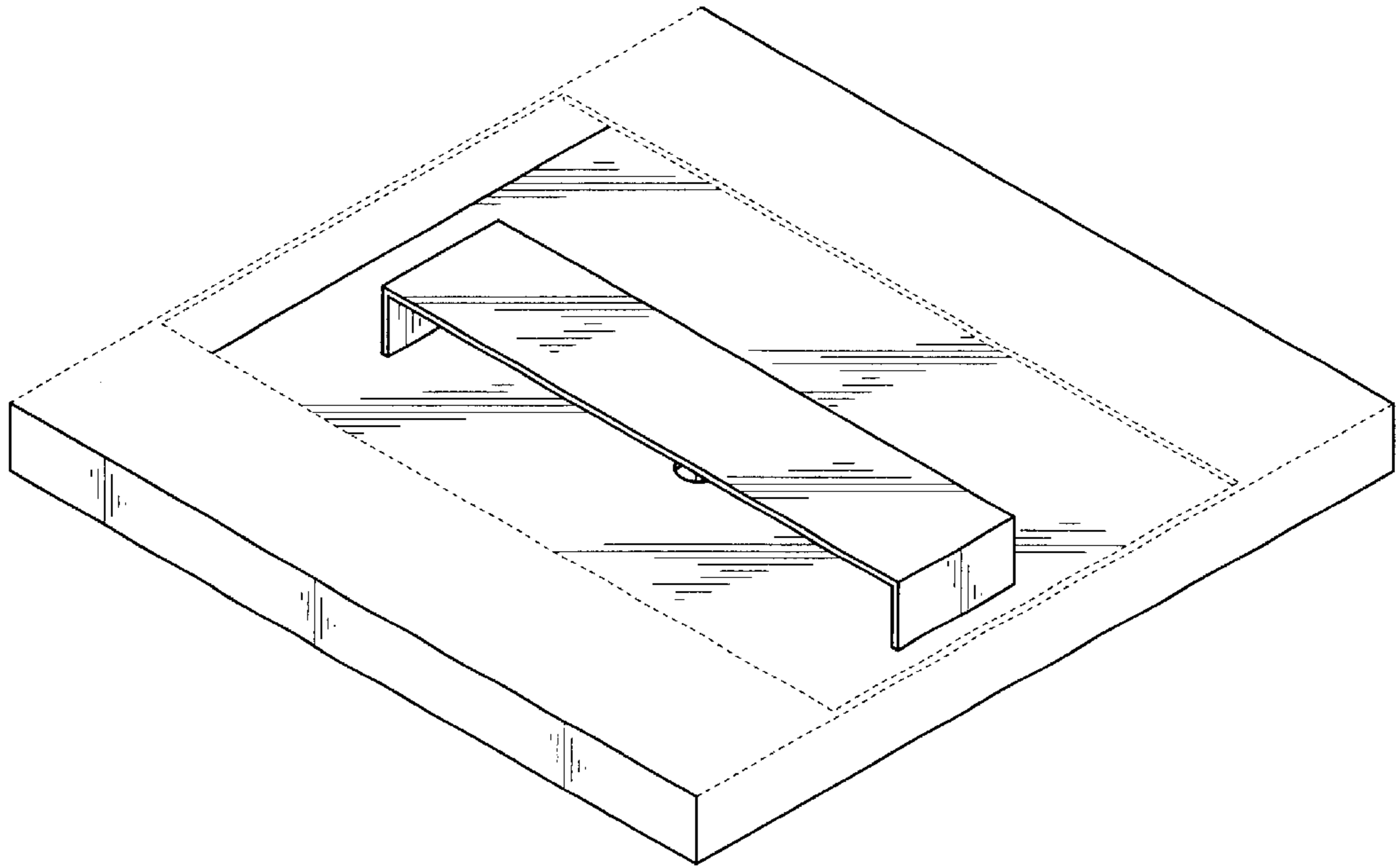


FIG. 2

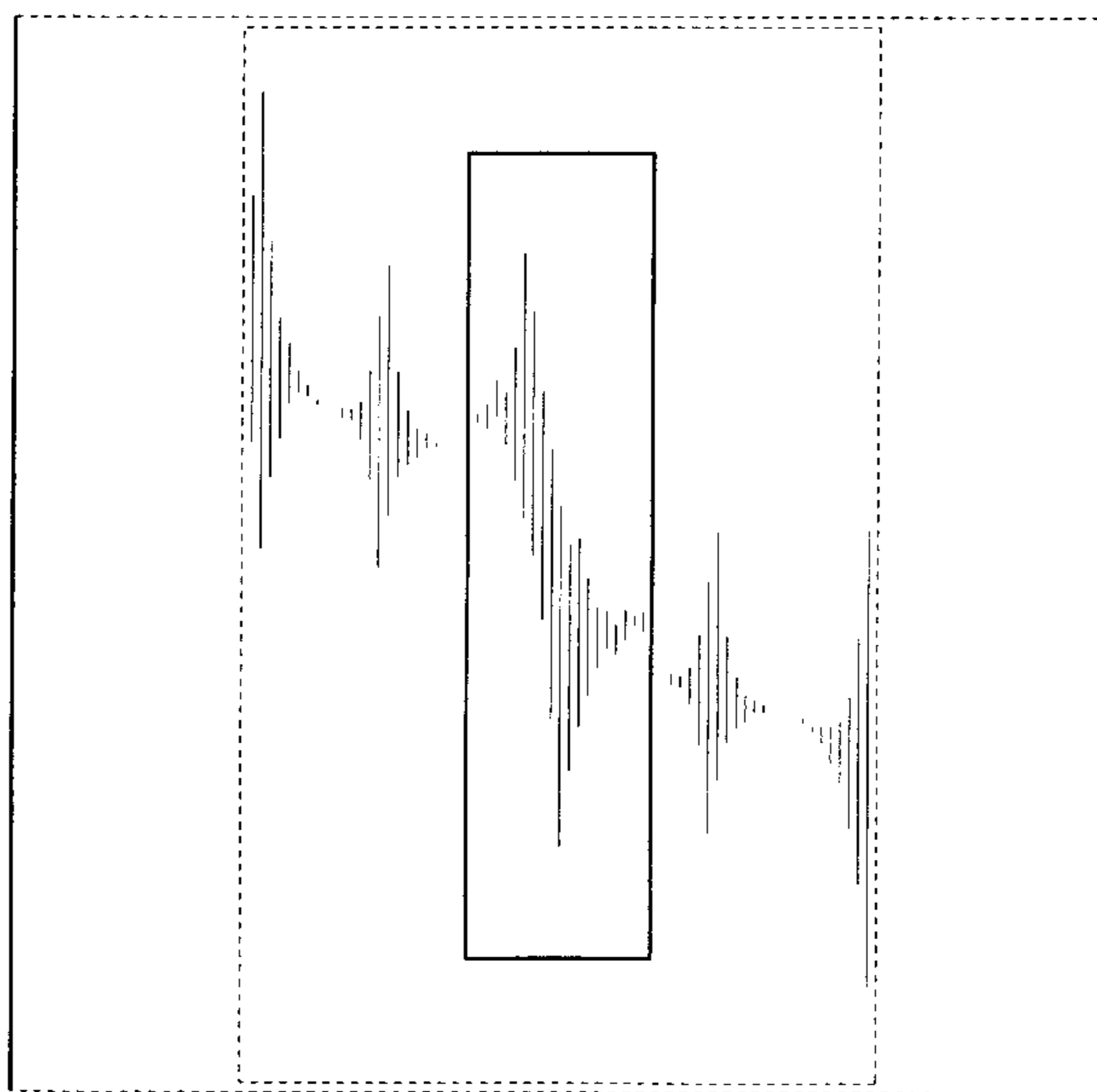


FIG. 3

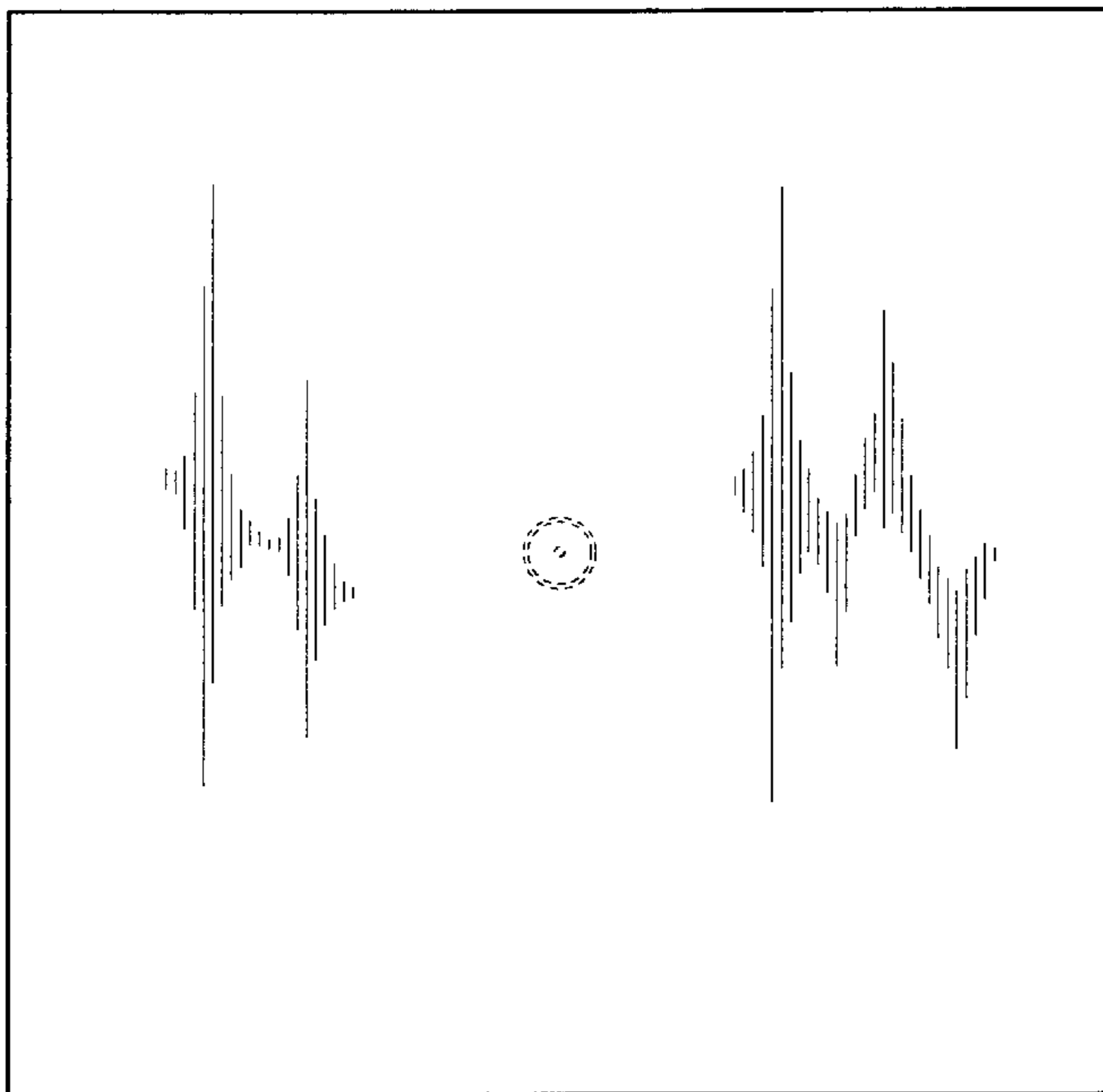


FIG. 4

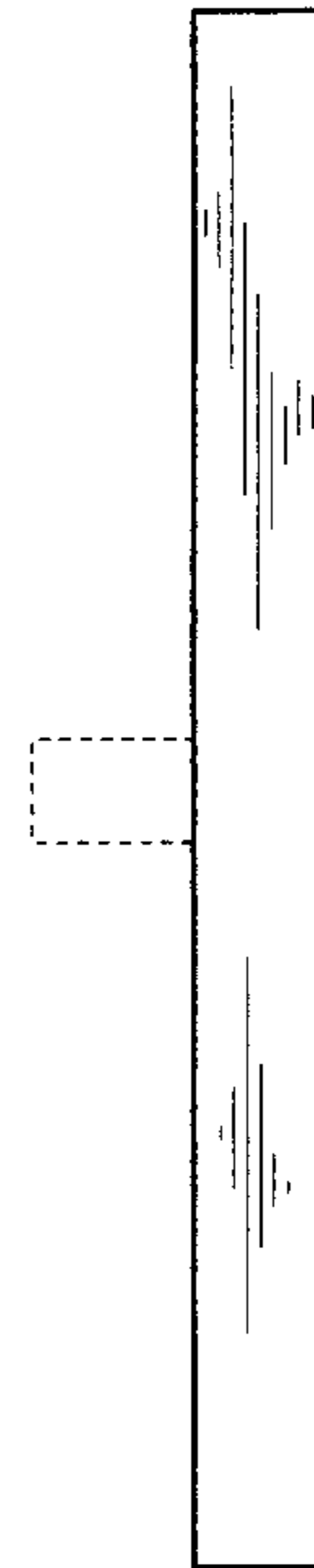


FIG. 5



FIG. 6

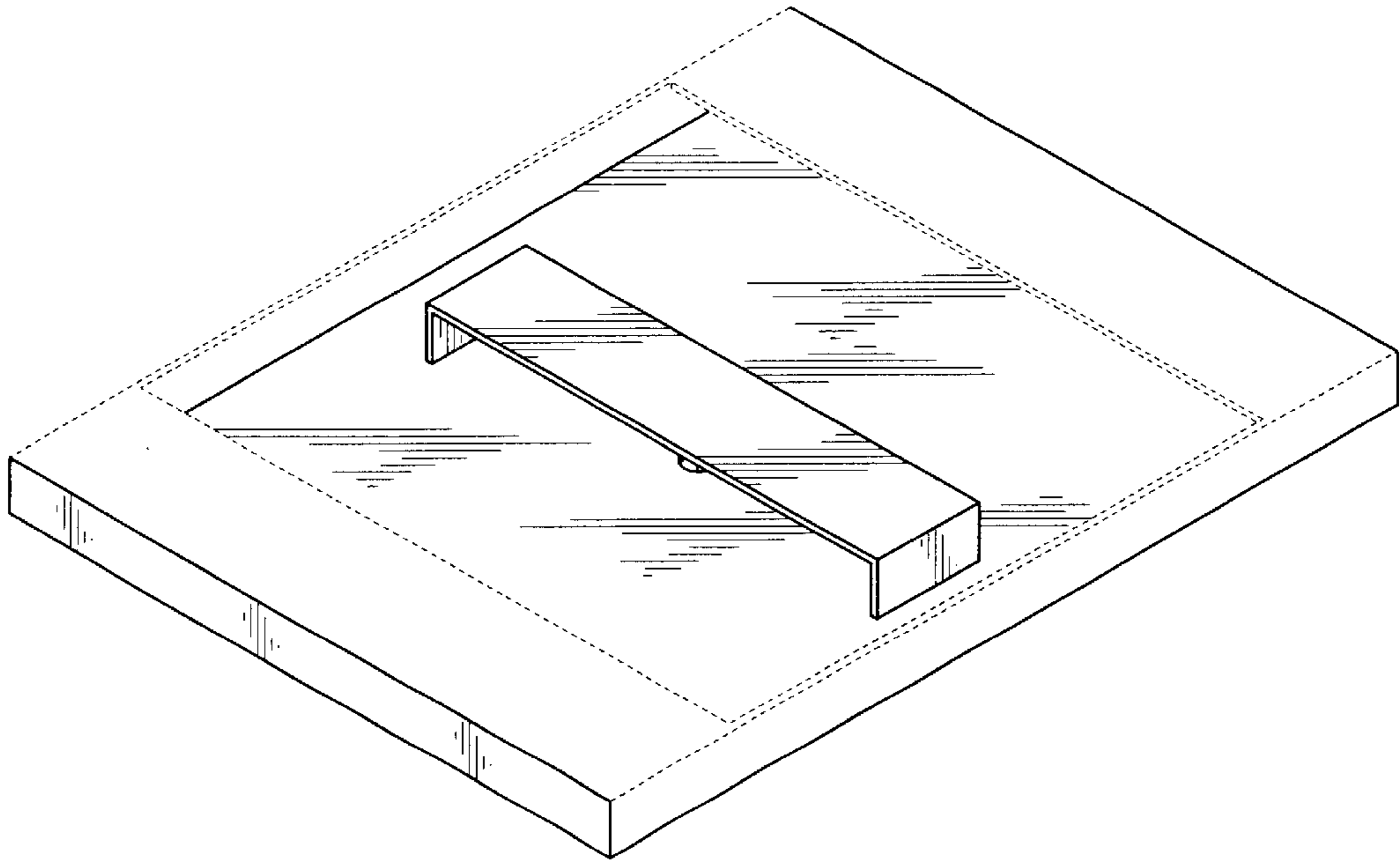


FIG. 7

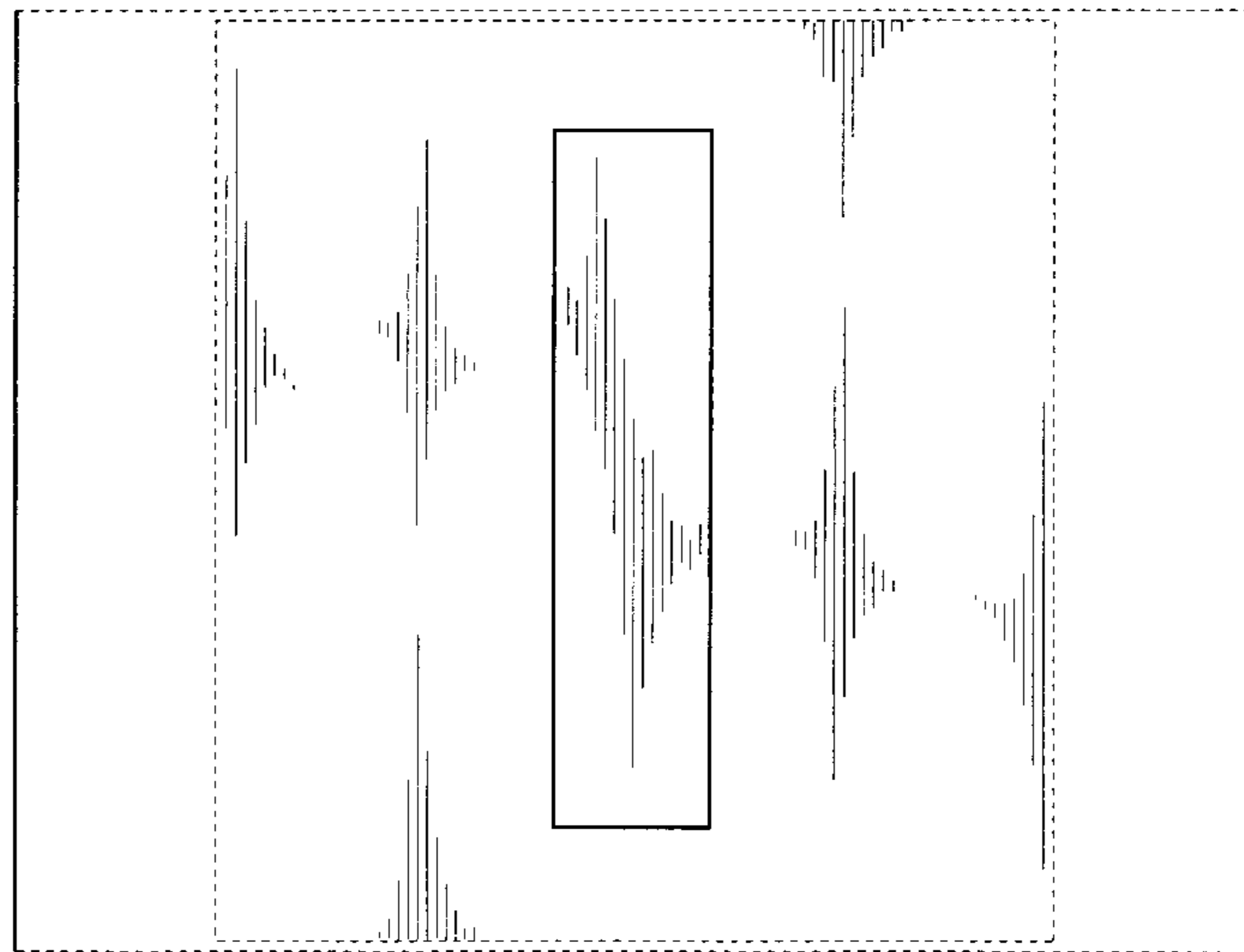


FIG. 8

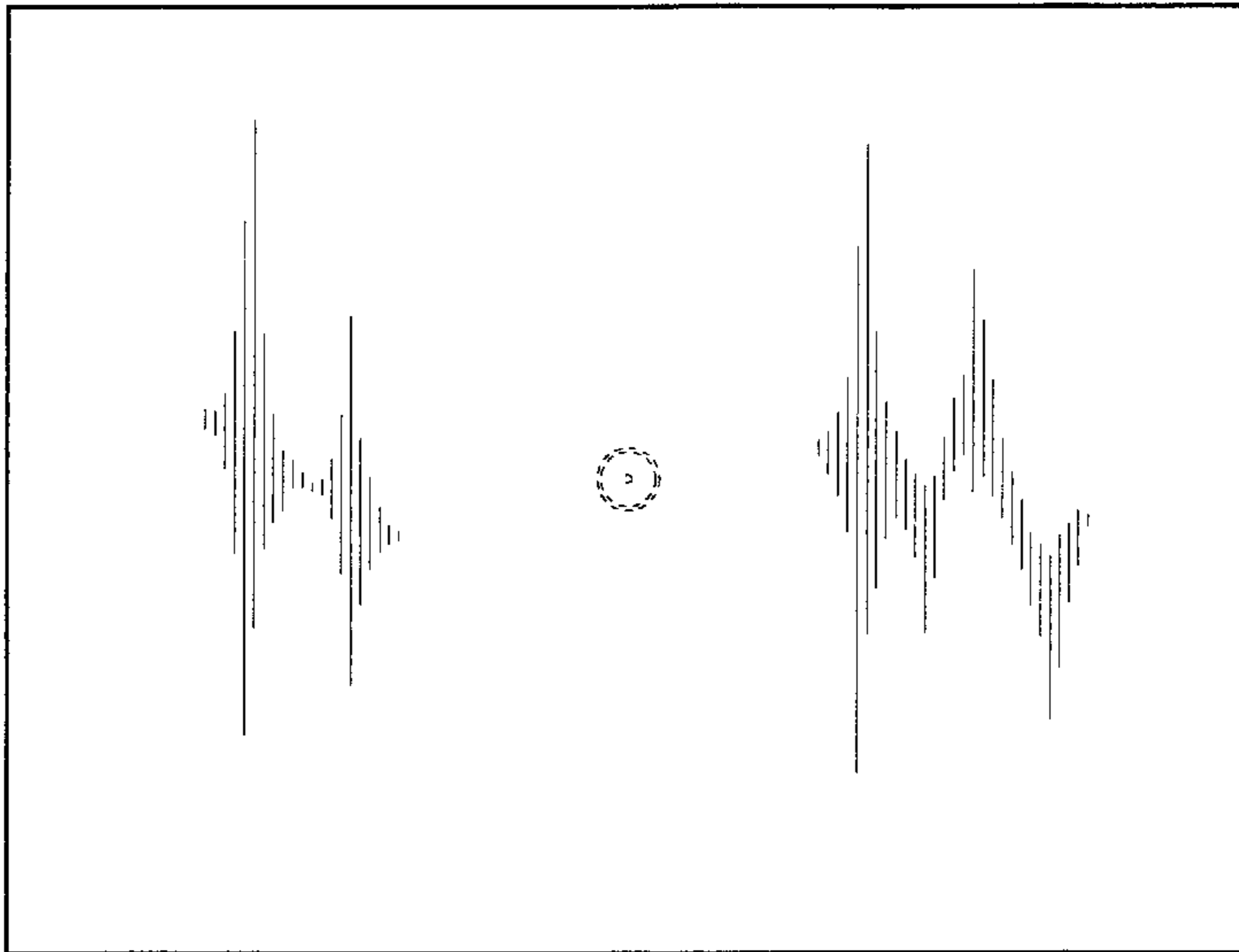


FIG. 9

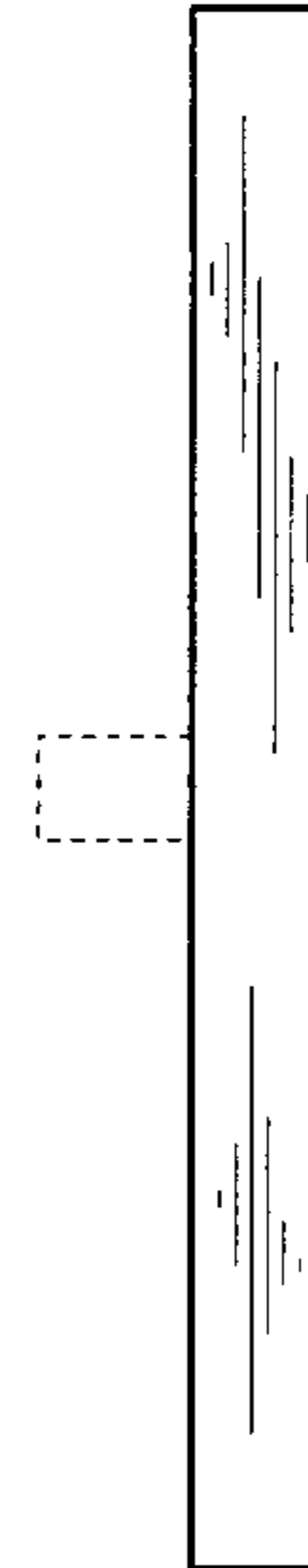


FIG. 10

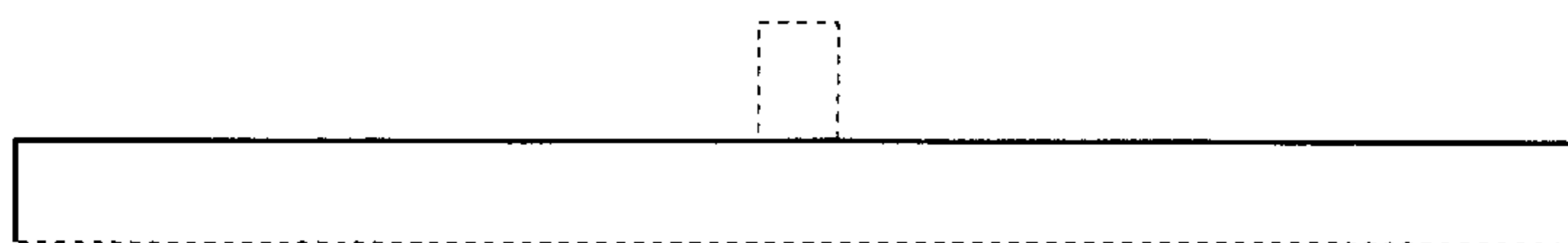


FIG. 11

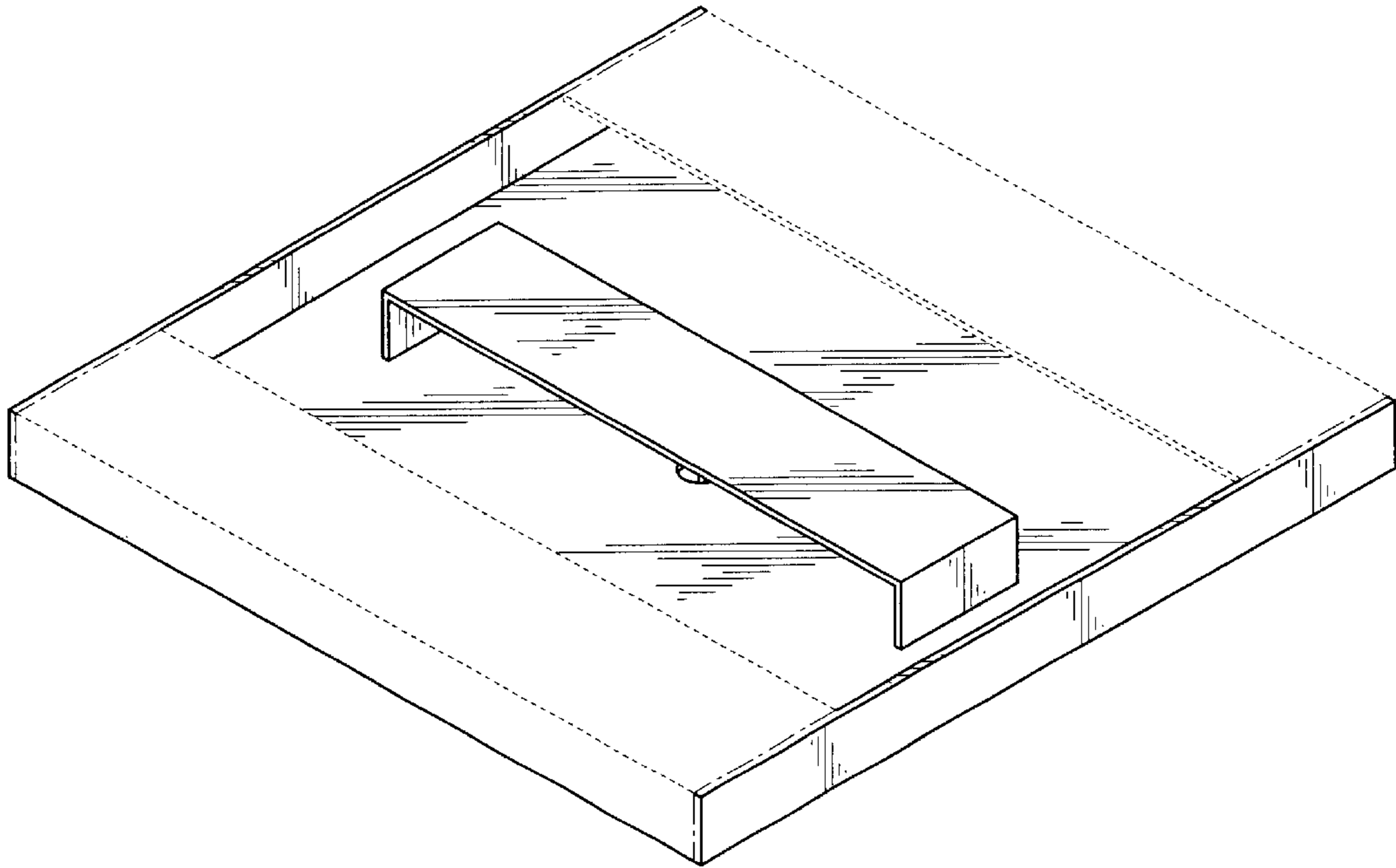


FIG. 12

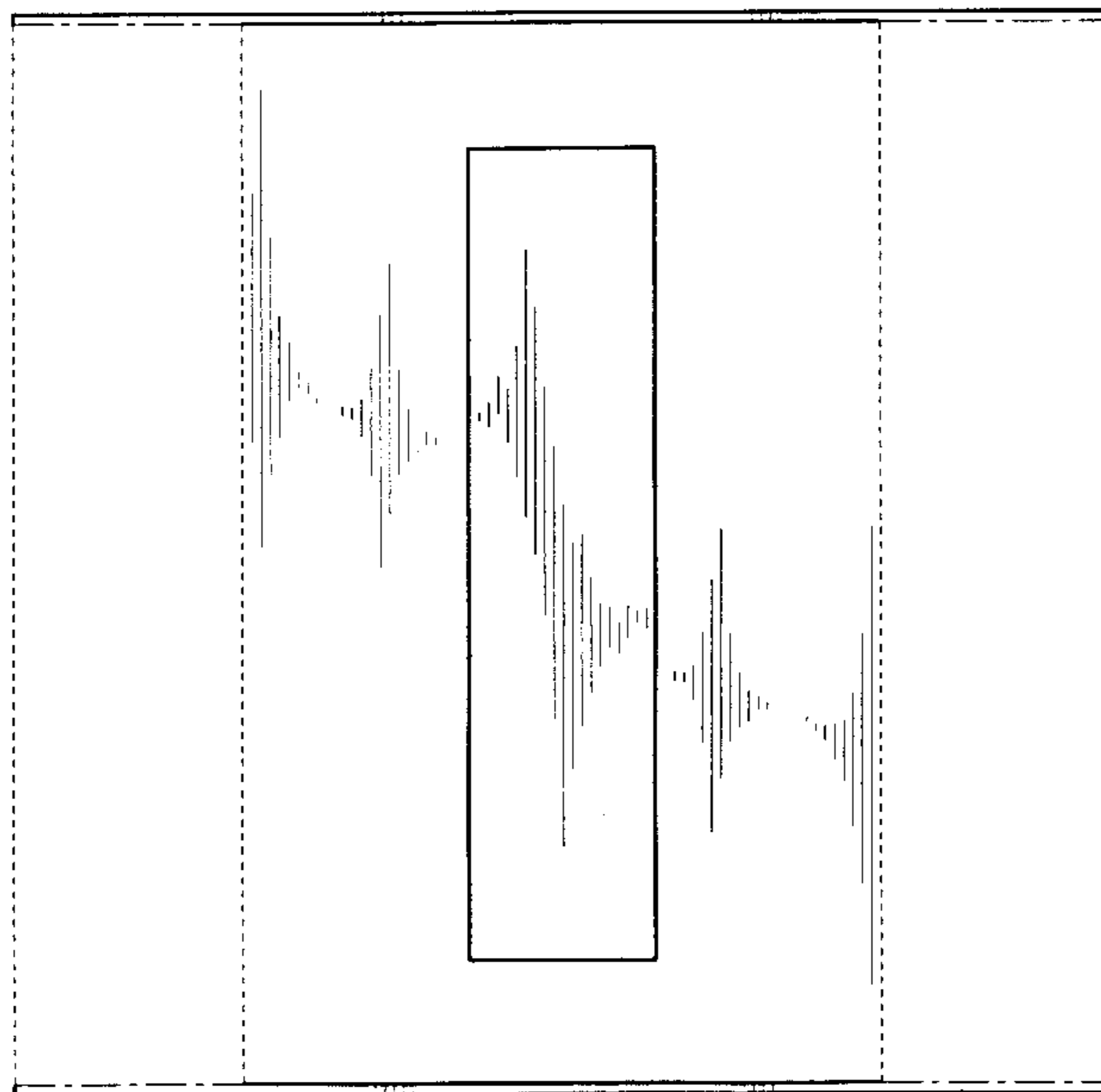


FIG. 13

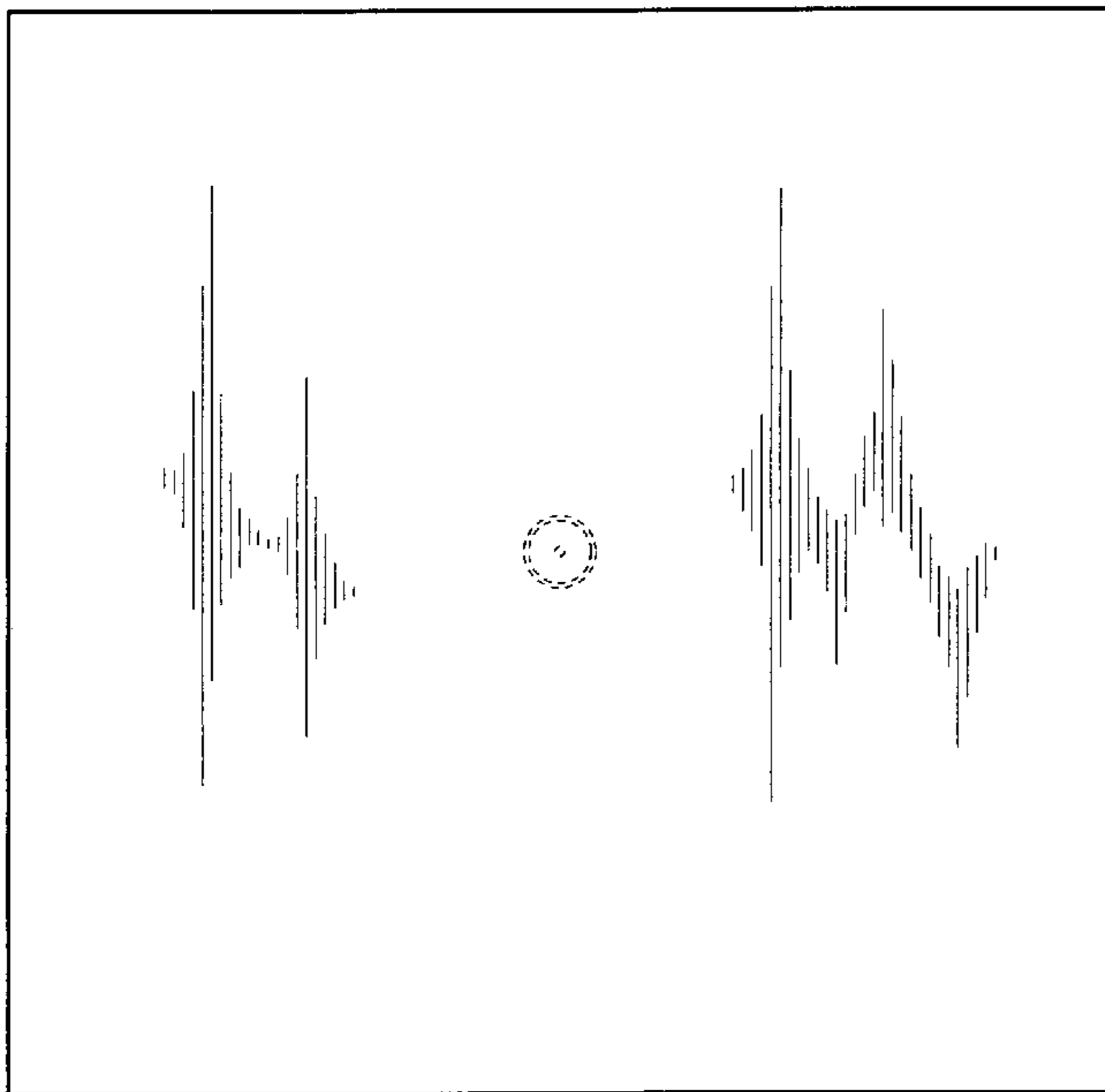


FIG. 14

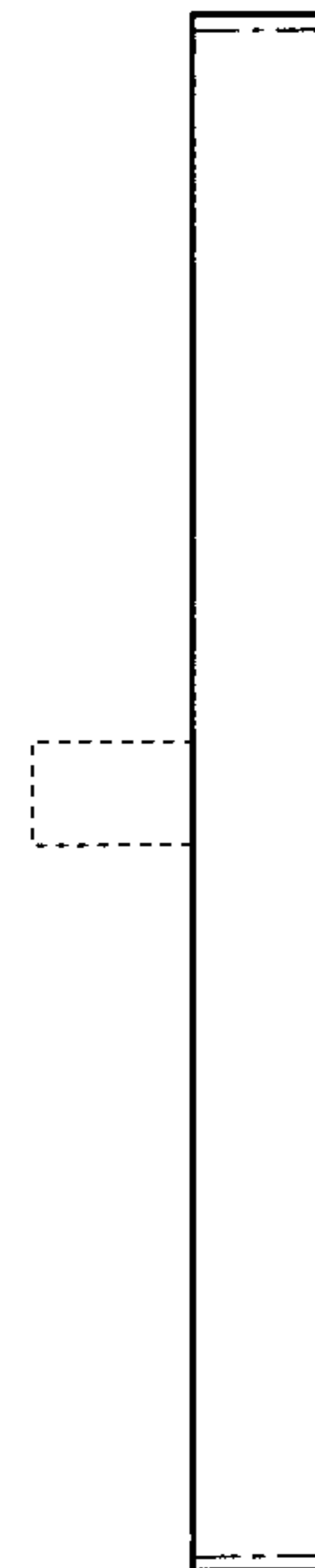


FIG. 15

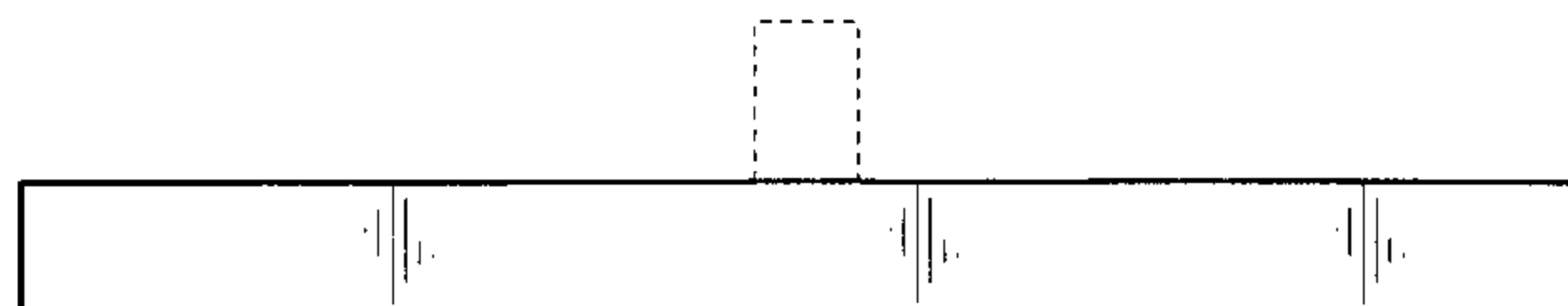


FIG. 16

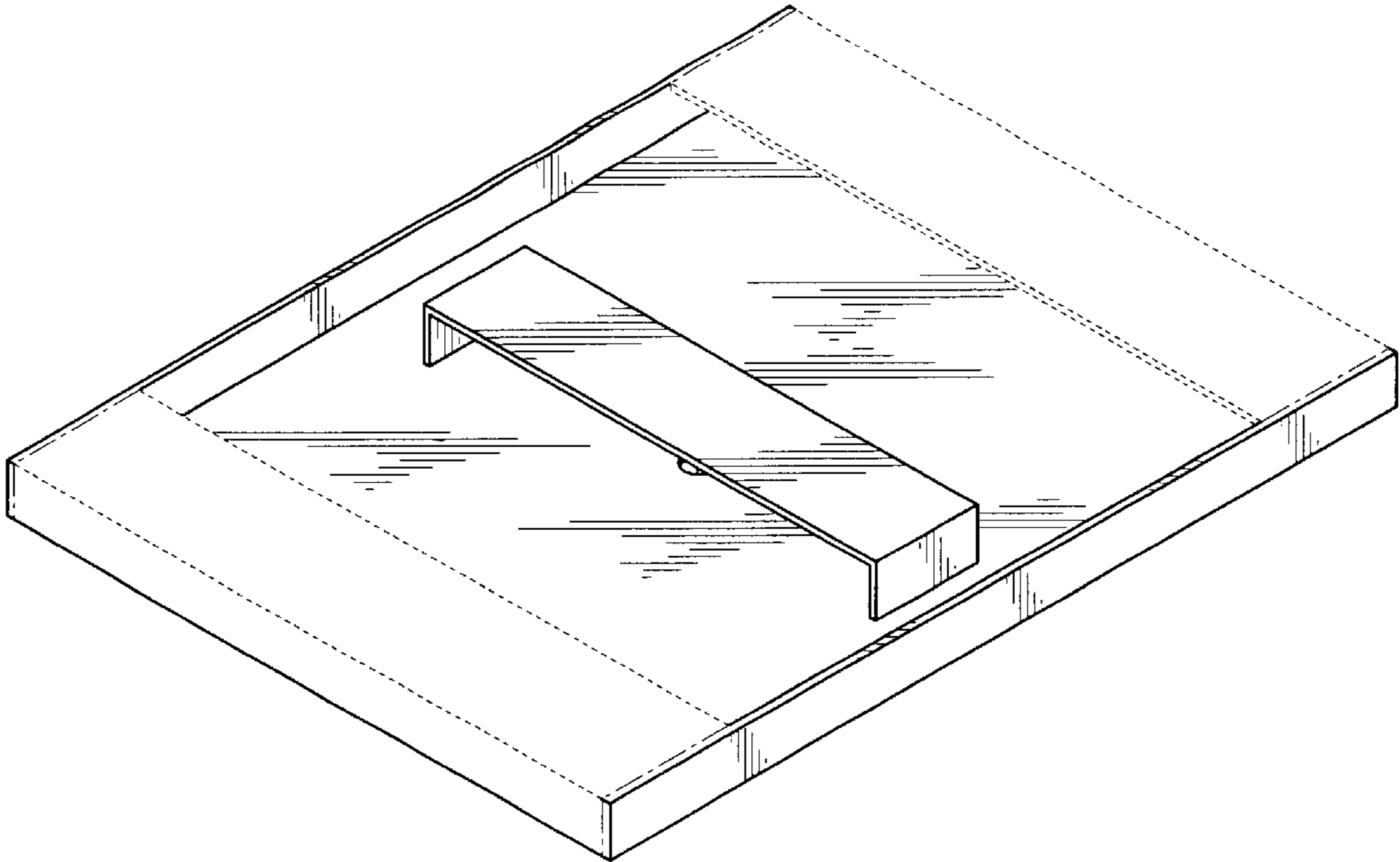


FIG. 17

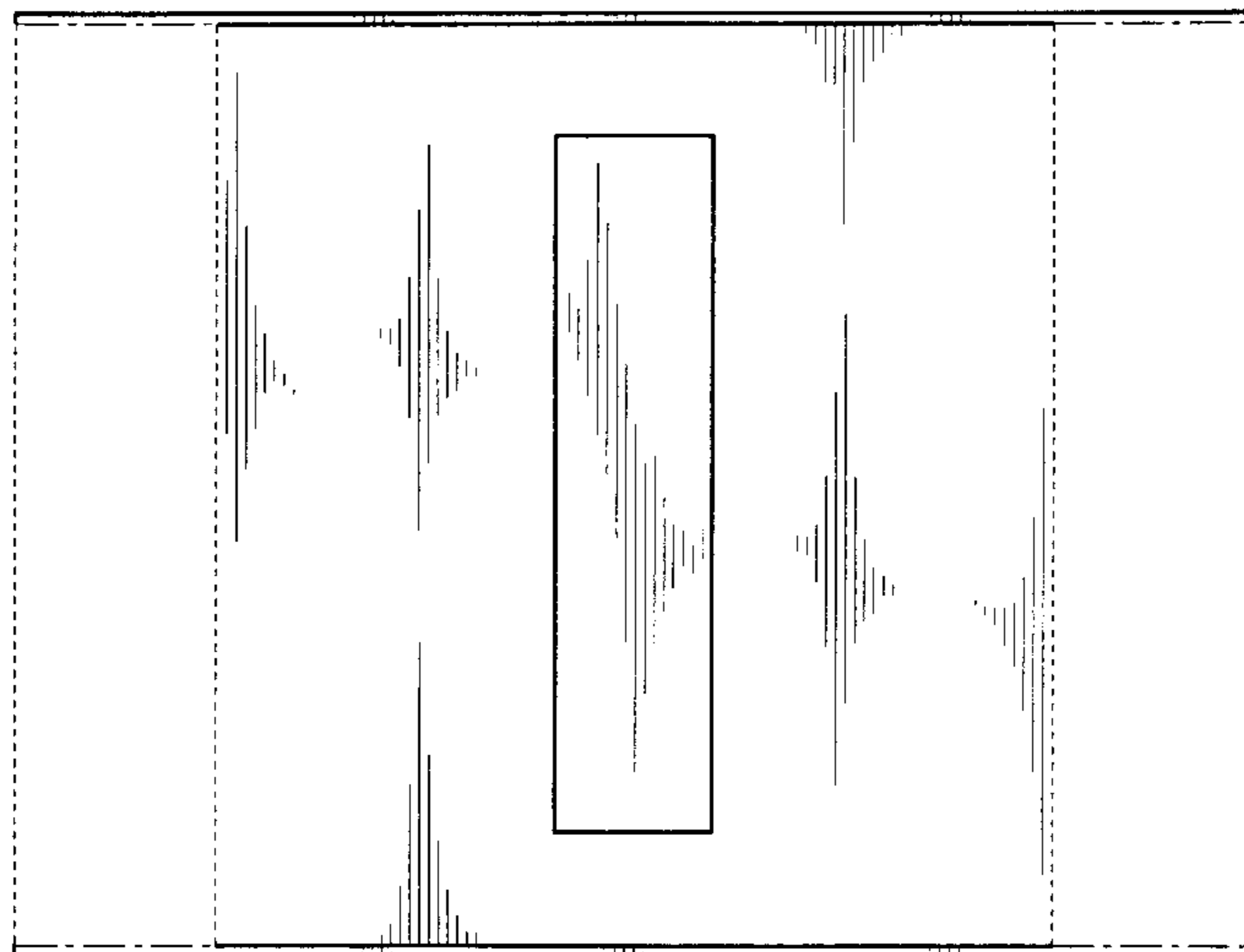


FIG. 18

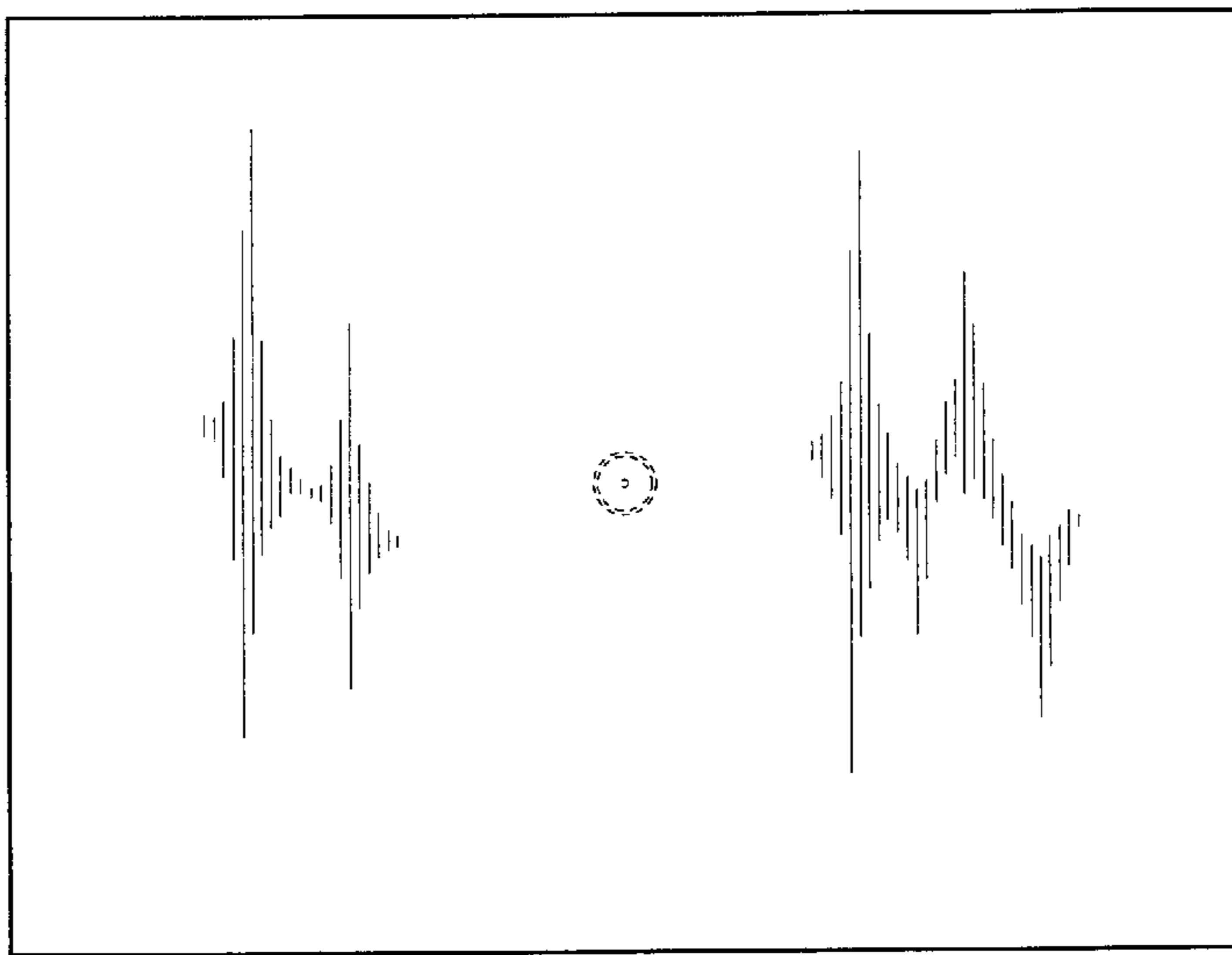


FIG. 19

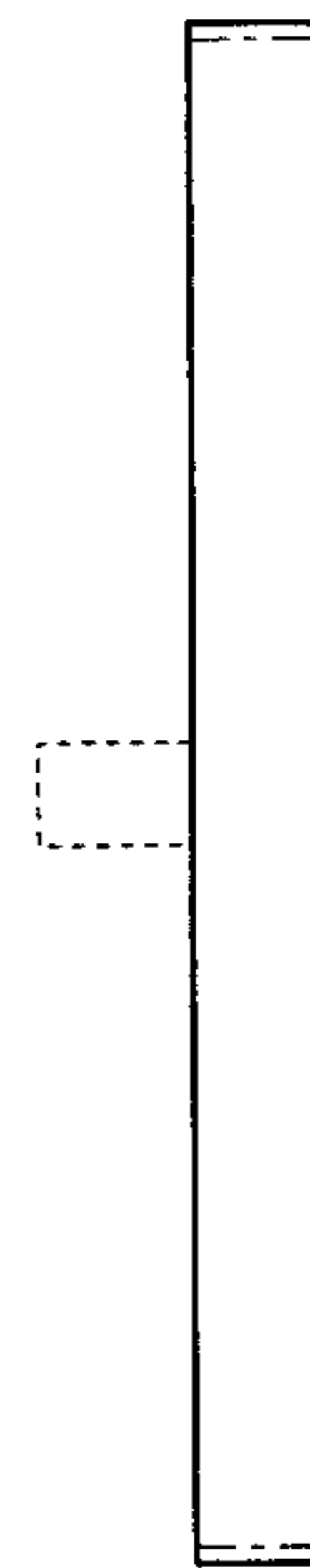


FIG. 20

