



US00D483028S

(12) **United States Design Patent**  
**Morrow, Jr. et al.**

(10) **Patent No.:** **US D483,028 S**  
(45) **Date of Patent:** **\*\* Dec. 2, 2003**

(54) **MICROPHONE GRILLE (HF800/HF900)**

(75) Inventors: **Harold A. Morrow, Jr.**, Chicago, IL  
(US); **Michael John Kilhefner**, Island  
Lake, IL (US)

(73) Assignee: **Shure Incorporated**, Evanston, IL (US)

(\*\*) Term: **14 Years**

(21) Appl. No.: **29/169,118**

(22) Filed: **Oct. 15, 2002**

(51) **LOC (7) Cl.** ..... **14-01**

(52) **U.S. Cl.** ..... **D14/225**

(58) **Field of Search** ..... D14/225, 226,  
D14/227, 228, 229; 381/122, 161, 168,  
169, 177, 108, 91, 104, 319, 173; 379/431,  
432; 181/158, 242

(56) **References Cited**

**U.S. PATENT DOCUMENTS**

2,336,828 A	*	12/1943	Zarth	.....	381/319
D195,957 S	*	8/1963	Spilman	.....	D14/225
D195,974 S	*	8/1963	Spilman	.....	D14/228
D346,804 S	*	5/1994	Tokiyama	.....	D14/226
D355,915 S	*	2/1995	Chan	.....	D14/225

D374,874 S	*	10/1996	Lindeman et al.	.....	D14/225
D378,820 S	*	4/1997	Tokiyama et al.	.....	D14/225
D408,414 S	*	4/1999	Stead et al.	.....	D14/225
D459,718 S	*	7/2002	Ma et al.	.....	D14/225

\* cited by examiner

*Primary Examiner*—Paula A. Mortimer

(74) *Attorney, Agent, or Firm*—Banner & Witcoff, Ltd.

(57) **CLAIM**

An ornamental design for a microphone grille (HF800/HF900), as shown and described.

**DESCRIPTION**

FIG. 1 is a top perspective view of the microphone grille (HF800/HF900) design;  
 FIG. 2 is a top view thereof;  
 FIG. 3 is a front side view thereof;  
 FIG. 4 is a back side view thereof;  
 FIG. 5 is a bottom perspective view thereof; and,  
 FIG. 6 is a bottom view thereof.  
 FIG. 7 is a side elevational view thereof; and  
 FIG. 8 is an opposite side elevational view thereof.  
 The broken lines in FIGS. 1 through 6 are for illustrative purposes only and forms no part of the claimed design.

**1 Claim, 4 Drawing Sheets**

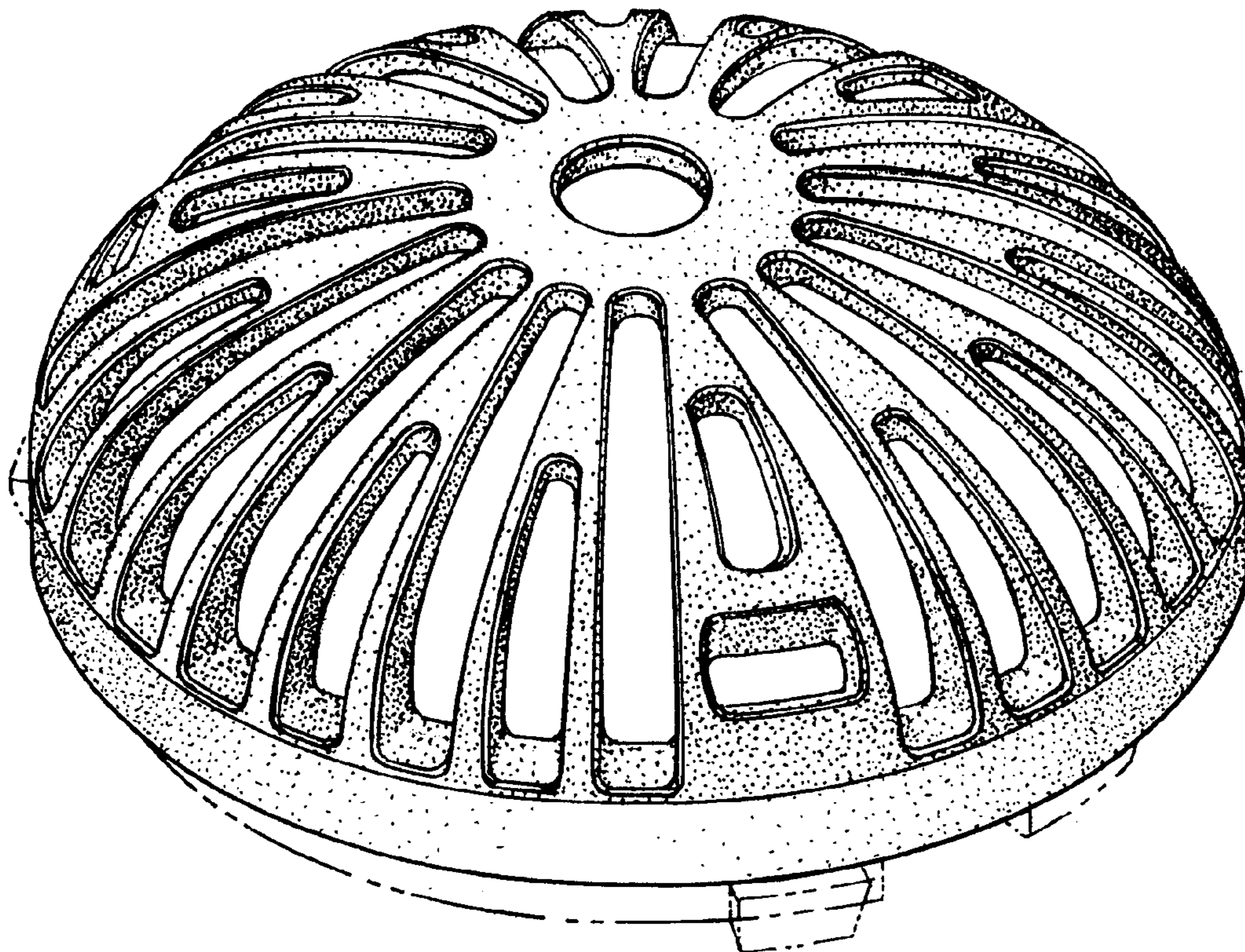


FIG.1

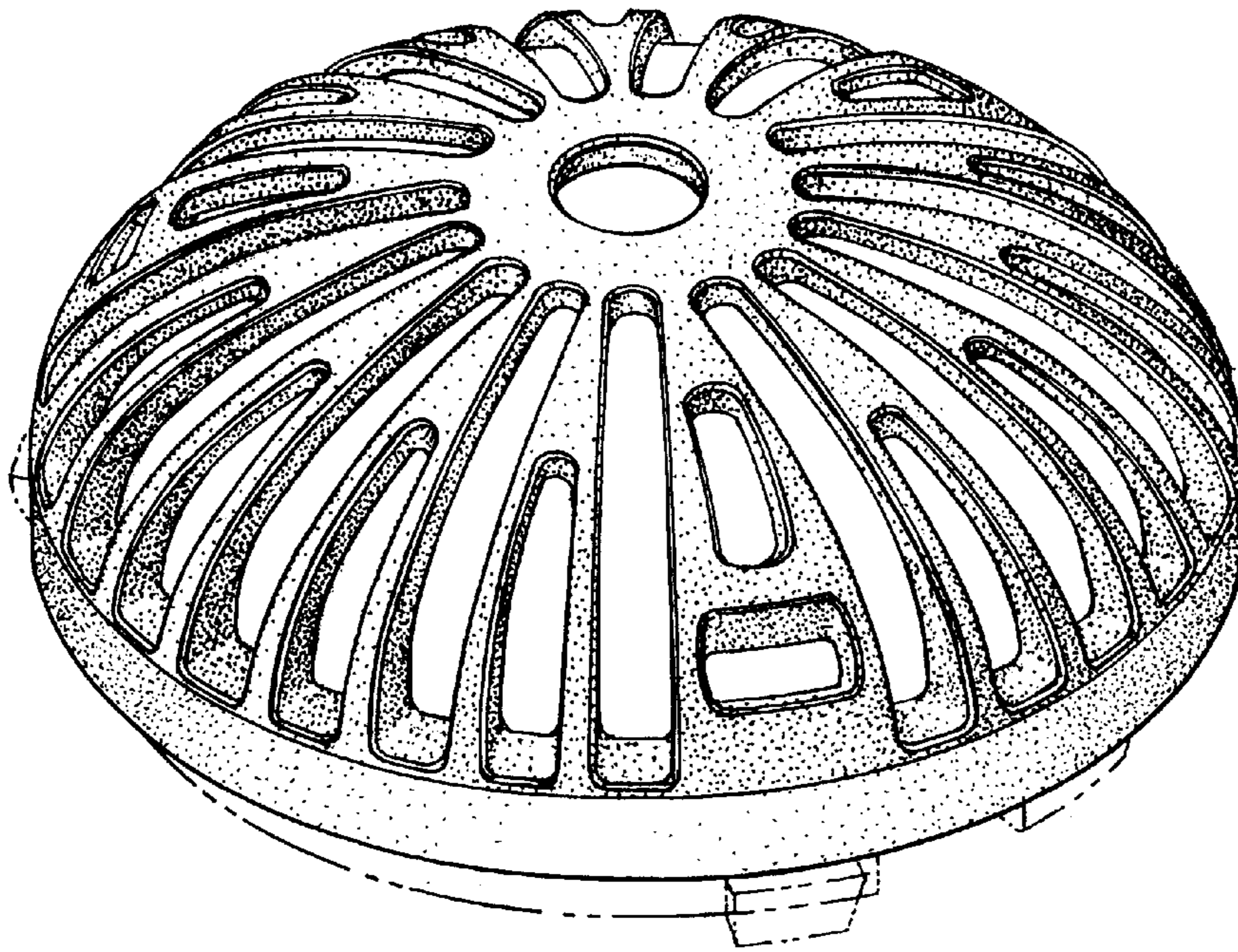


FIG.2

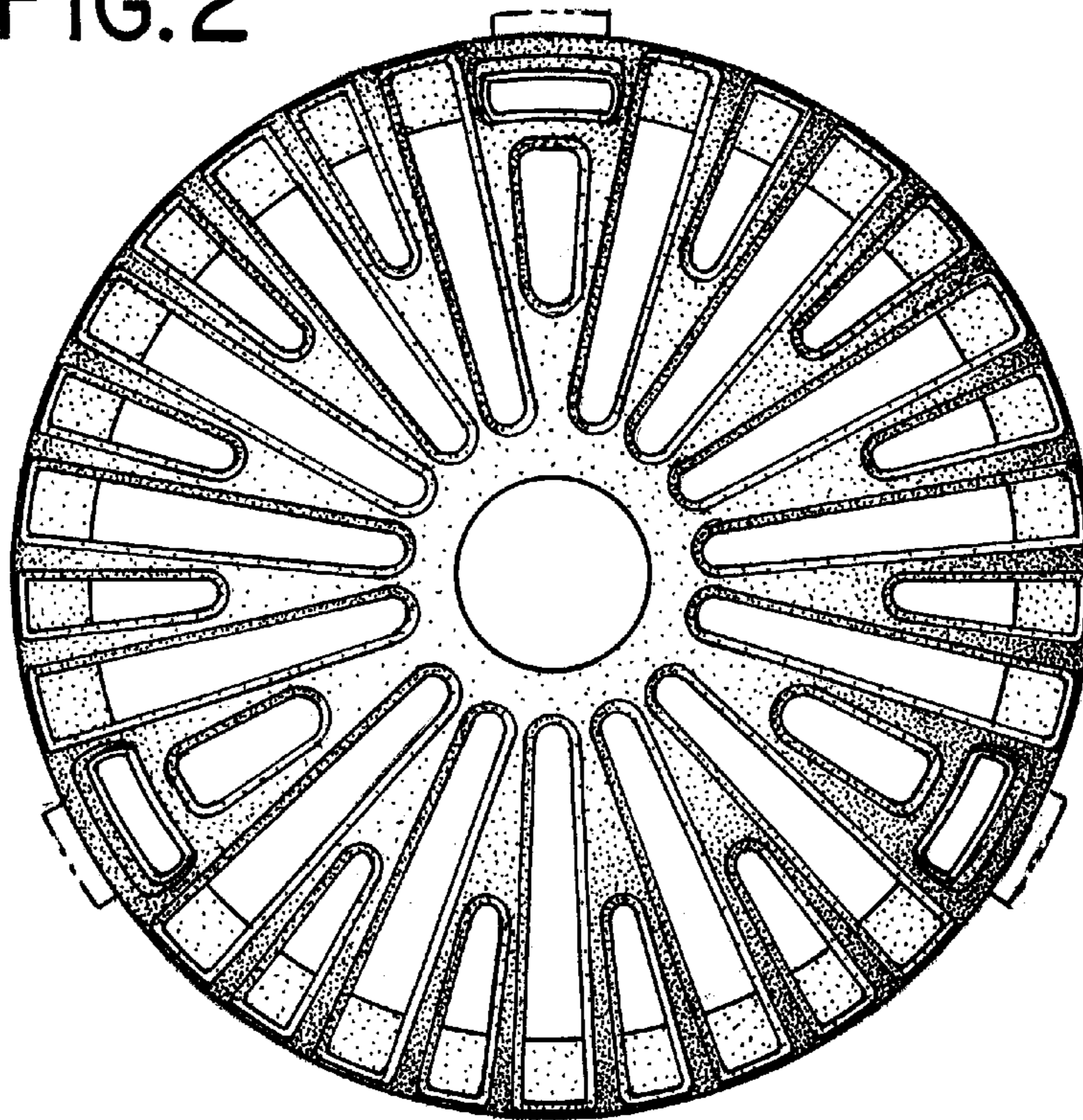


FIG.3

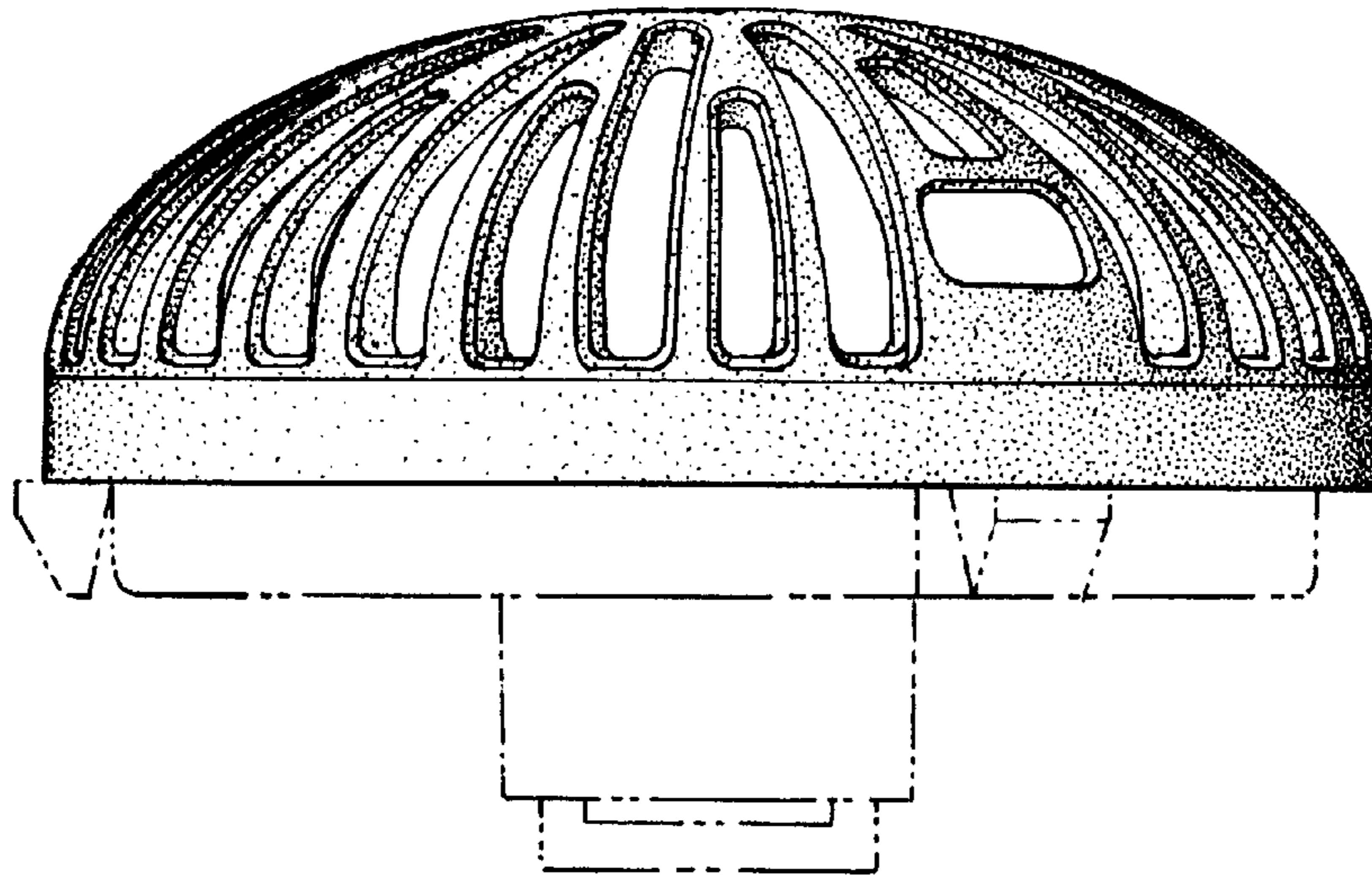


FIG.4

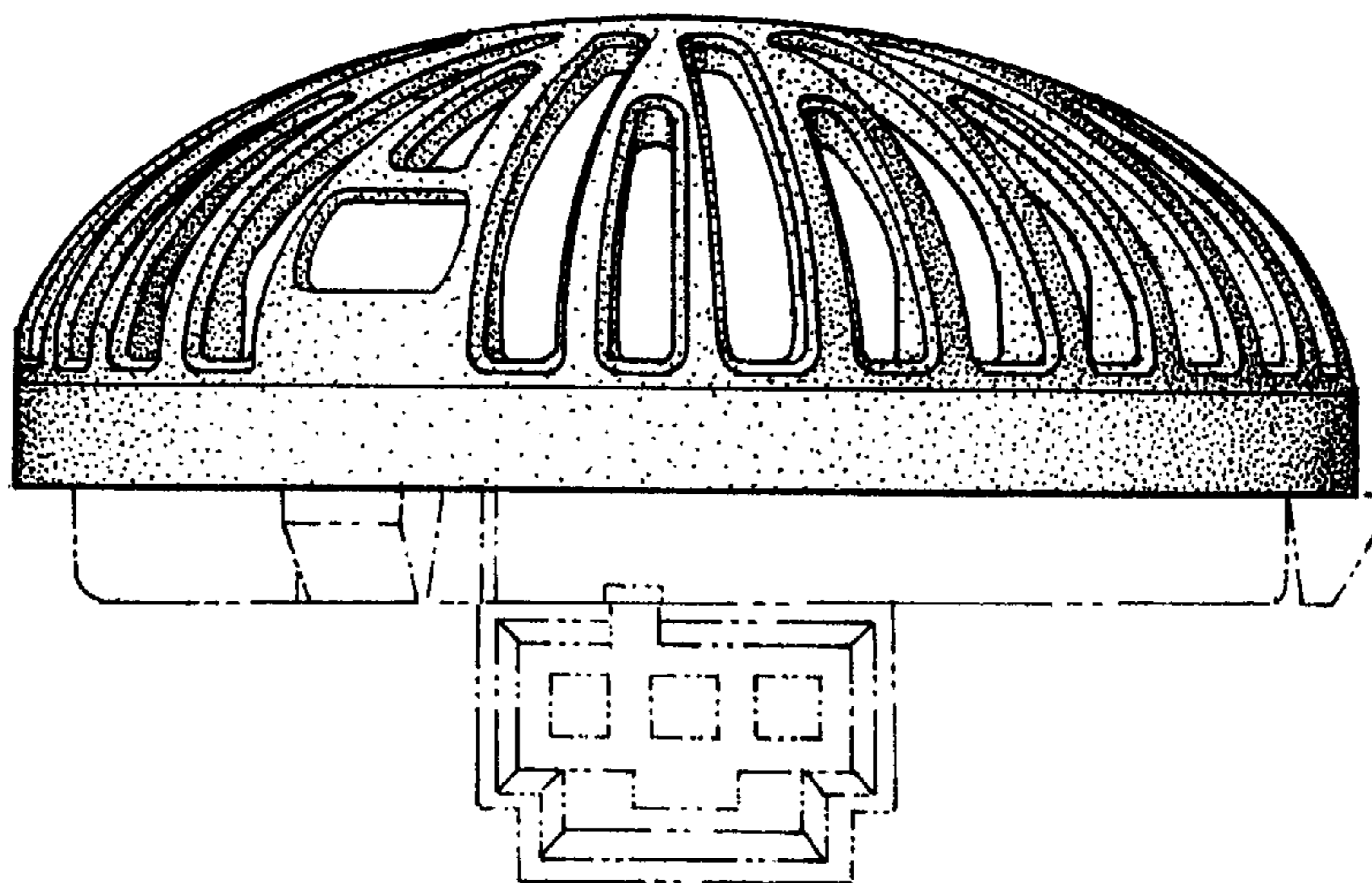


FIG.5

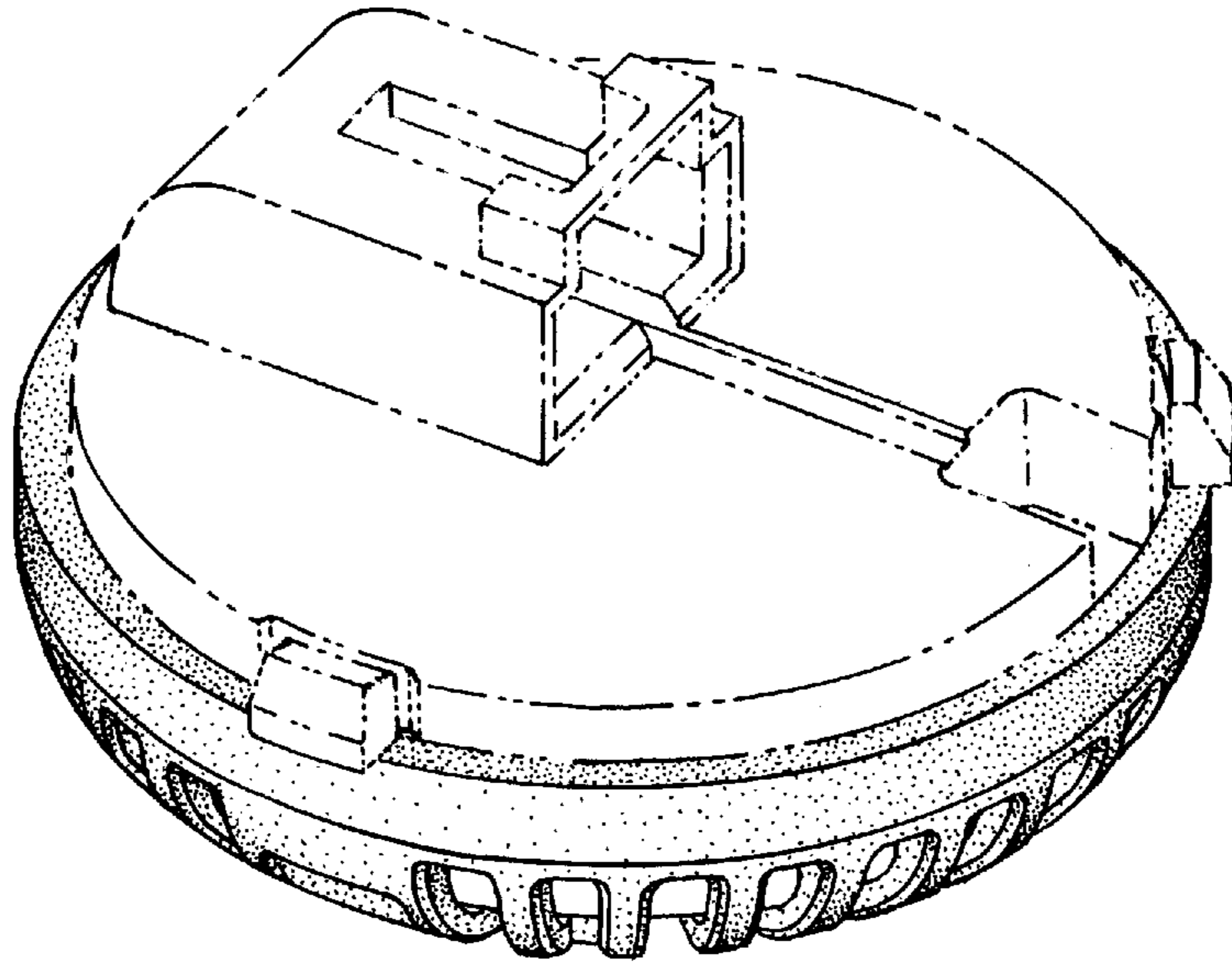


FIG.6

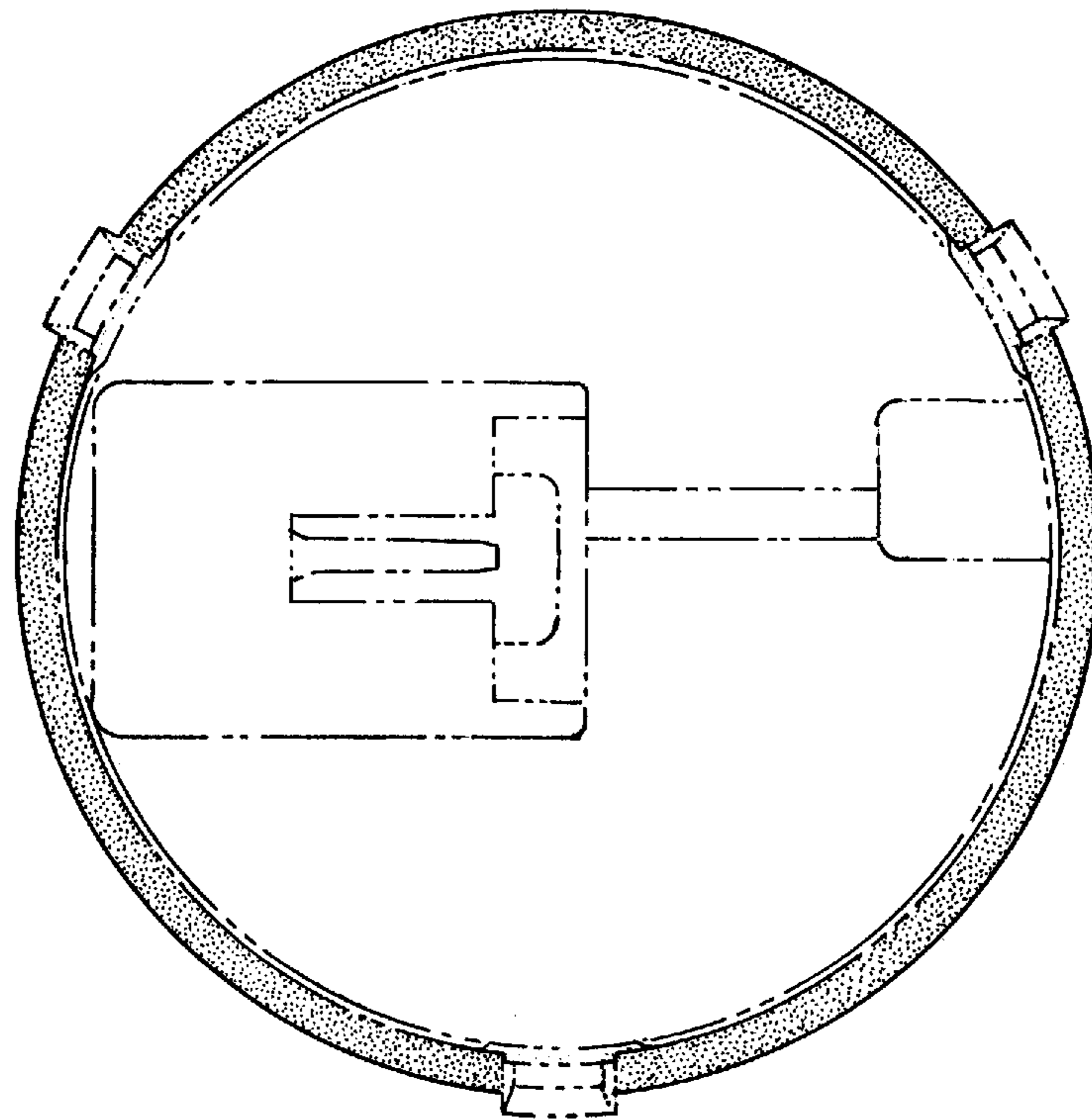


FIG.7

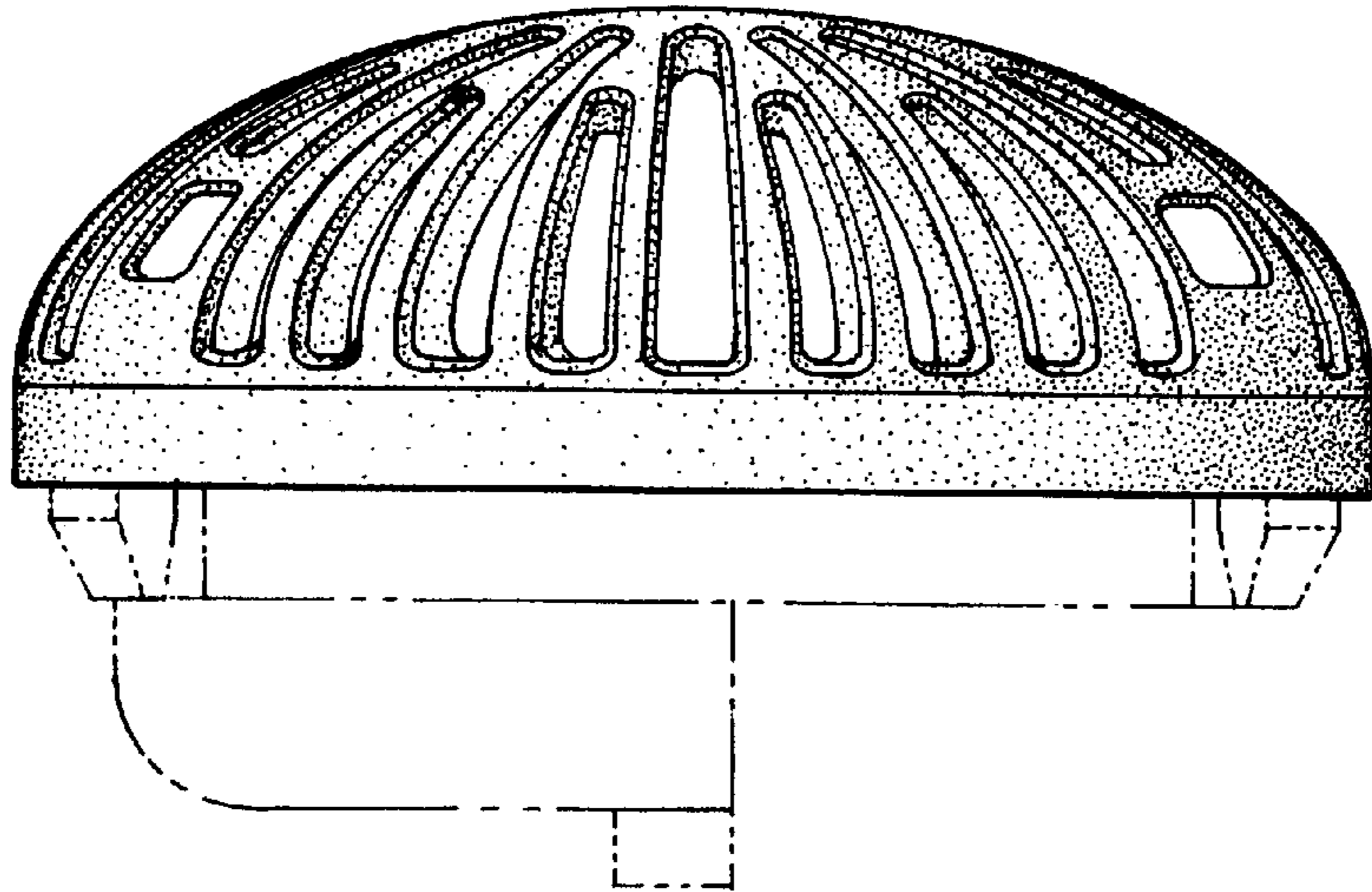


FIG.8

