



US00D483024S

(12) **United States Design Patent**
Sanchez et al.

(10) **Patent No.:** **US D483,024 S**

(45) **Date of Patent:** **** Dec. 2, 2003**

(54) **TRANSMITTER**

(75) Inventors: **Dino Sanchez**, Chicago, IL (US);
Stephen Melamed, Chicago, IL (US);
Luc Heiligenstein, Chicago, IL (US);
Chih Tse Chien, Taipei (TW); **Robert C. Crane**, Fortuna, CA (US)

(73) Assignee: **C. Crane Company, Inc.**, Fortuna, CA (US)

(**) Term: **14 Years**

(21) Appl. No.: **29/162,787**

(22) Filed: **Jun. 19, 2002**

(51) **LOC (7) Cl.** **14-03**

(52) **U.S. Cl.** **D14/155**

(58) **Field of Search** D10/104, 106;
D14/154-155, 191, 217-218, 299; 340/571,
572.1-572.9; 381/92, 95, 111-118, 112,
172-174, 335, 369; 369/11, 137; 455/91-93,
117-118

(56) **References Cited**

U.S. PATENT DOCUMENTS

D263,709 S * 4/1982 Ando D14/155

D417,667 S * 12/1999 Loubert et al. D14/155
D418,510 S * 1/2000 Zeitman D14/192
D430,053 S * 8/2000 Ariyama et al. D10/104

* cited by examiner

Primary Examiner—Nanda Bondade
(74) *Attorney, Agent, or Firm*—Gray Cary Ware & Freidenrich LLP

(57) **CLAIM**

The ornamental design for a transmitter, as shown and described.

DESCRIPTION

FIG. 1 is a perspective view of a transmitter showing our new design;
FIG. 2 is a front perspective view thereof;
FIG. 3 is a rear perspective view thereof;
FIG. 4 is a left side perspective view thereof;
FIG. 5 is right side perspective view thereof;
FIG. 6 is a top perspective view thereof; and,
FIG. 7 is a bottom perspective view thereof.

1 Claim, 7 Drawing Sheets





FIG. 1



FIG. 2

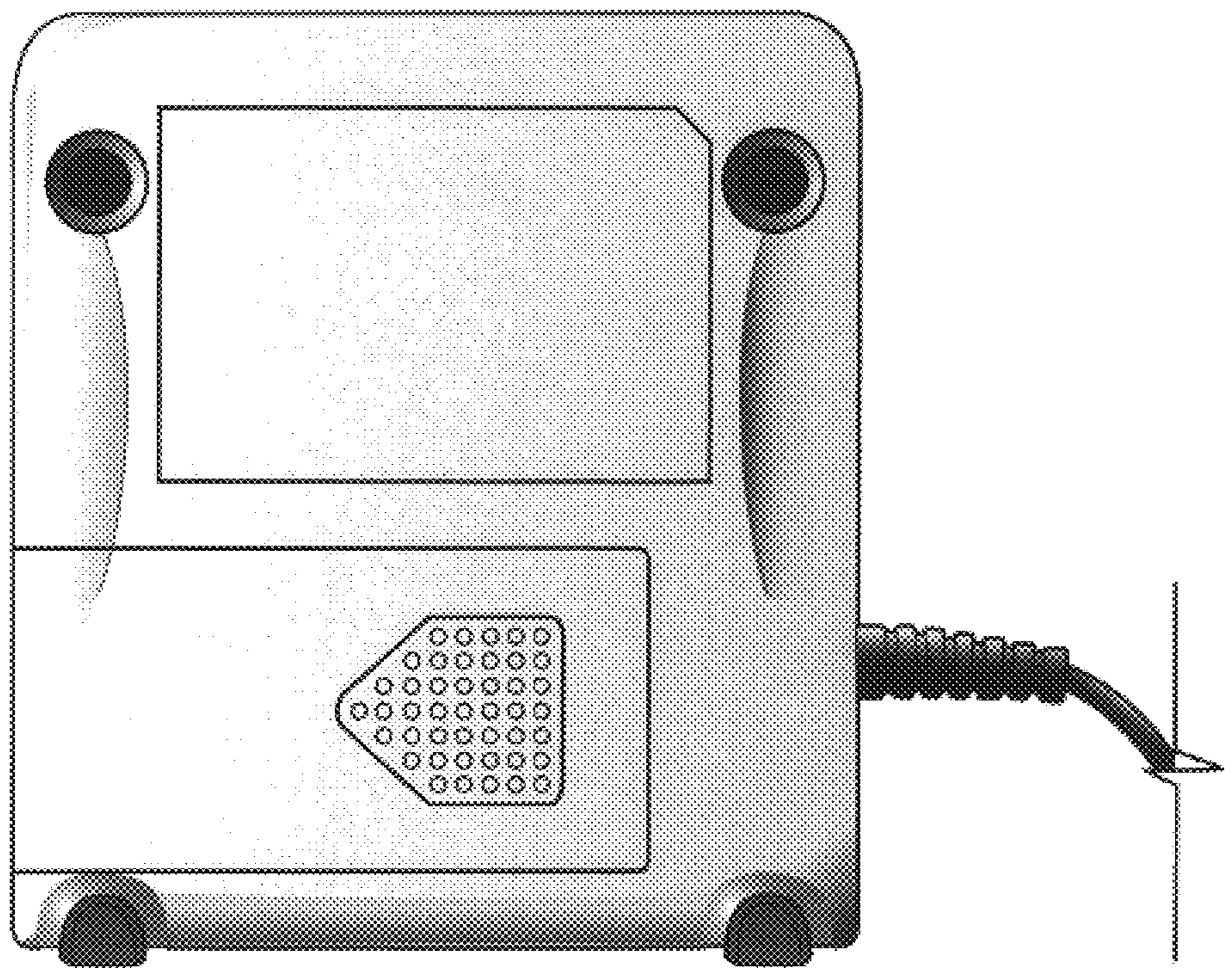


FIG. 3

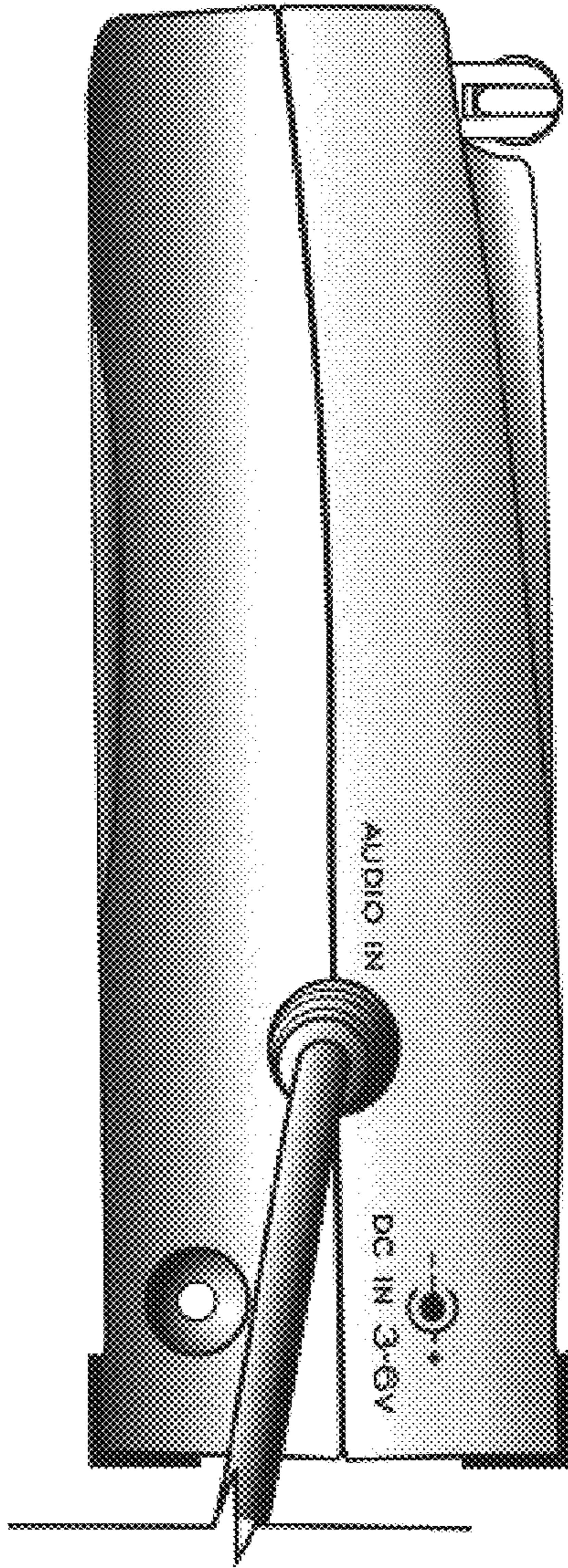


FIG. 4

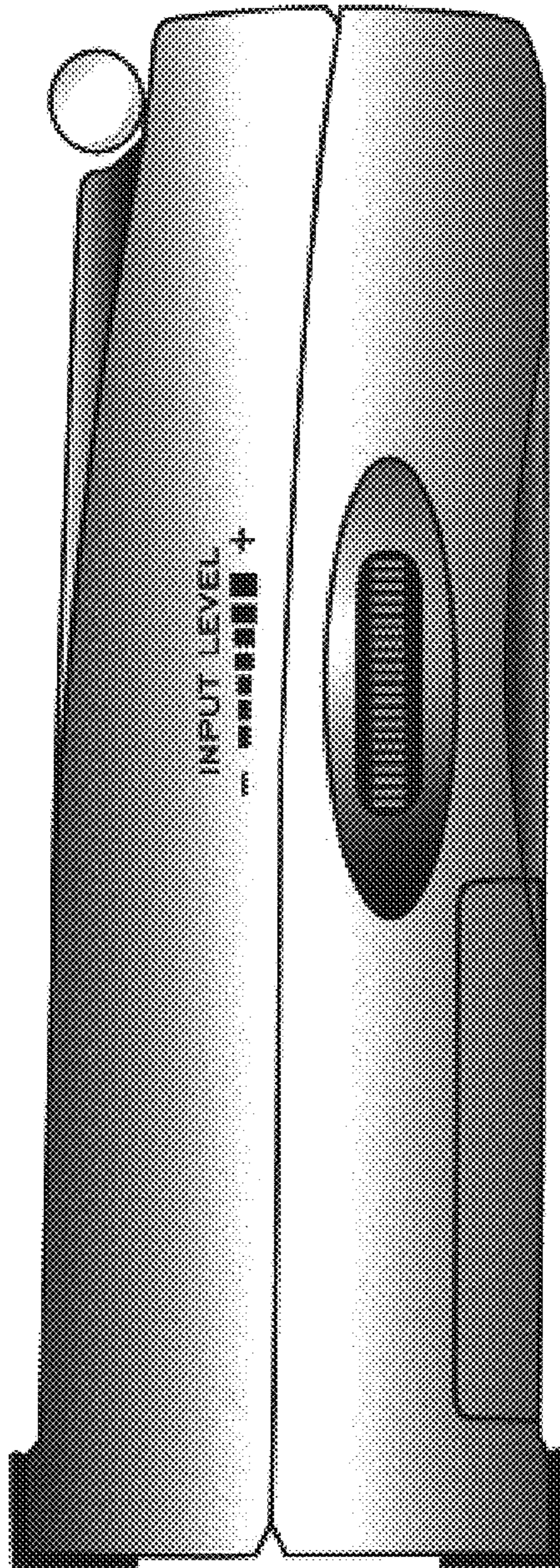


FIG. 5

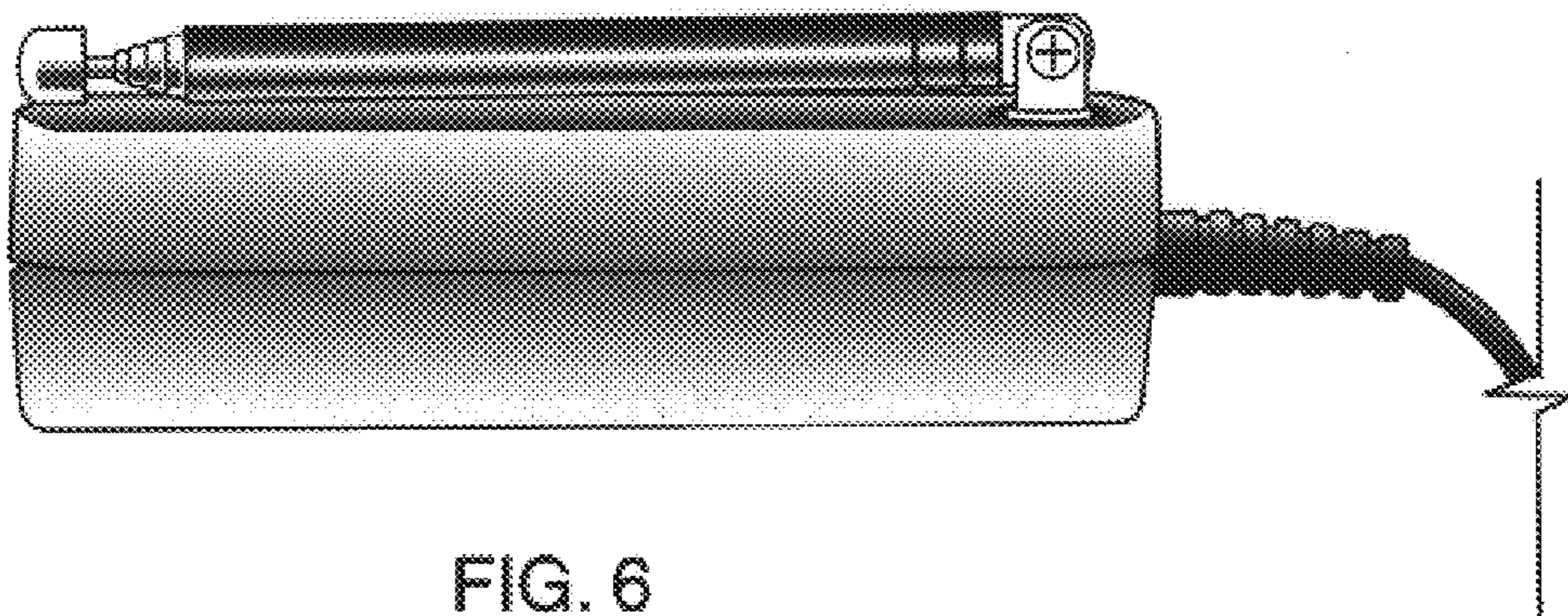


FIG. 6

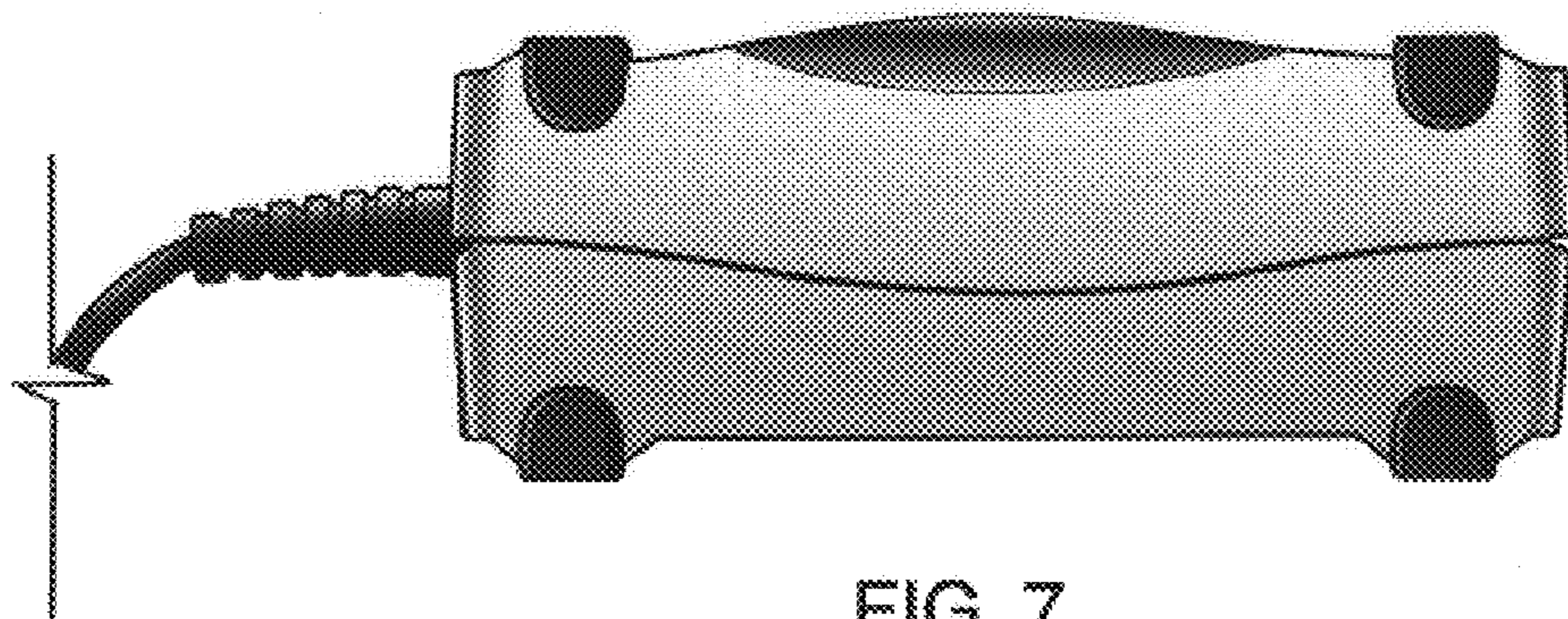


FIG. 7