



US00D483022S

(12) **United States Design Patent**
Lehtonen

(10) **Patent No.:** **US D483,022 S**

(45) **Date of Patent:** **** Dec. 2, 2003**

(54) **HANDSET**

(75) **Inventor:** **Jarmo Lehtonen, Littoinen (FI)**

(73) **Assignee:** **Nokia Corporation, Espoo (FI)**

(**) **Term:** **14 Years**

(21) **Appl. No.:** **29/164,196**

(22) **Filed:** **Jul. 22, 2002**

(30) **Foreign Application Priority Data**

Jan. 22, 2002 (FI) M20020064

(51) **LOC (7) Cl. 14-03**

(52) **U.S. Cl. D14/138**

(58) **Field of Search** D14/137, 138,
D14/218, 147-148, 247-248, 144, 341-347;
379/433.01-433.13, 419, 434, 428.01-428.04,
420.01-420.04, 440; 455/550-575, 90;
D21/517

(56) **References Cited**

U.S. PATENT DOCUMENTS

- 5,151,946 A * 9/1992 Martensson 455/550
- D385,554 S * 10/1997 Nuovo et al. D14/138
- D385,875 S * 11/1997 Harris et al. D14/138
- D390,555 S * 2/1998 Finke-Anlauff D14/138
- D407,399 S * 3/1999 Frye et al. D14/138
- D407,716 S * 4/1999 Park D14/138
- D408,813 S * 4/1999 Prior D14/138
- D413,325 S * 8/1999 Lee D14/138
- 5,956,625 A * 9/1999 Hansen et al. 455/90
- 6,014,552 A * 1/2000 Aiken et al. 455/90
- D427,171 S * 6/2000 Frye et al. D14/138
- D430,151 S 8/2000 Frye et al.
- 6,151,485 A * 11/2000 Crisp 455/90
- 6,208,874 B1 * 3/2001 Rudisill et al. 455/550
- D440,951 S * 4/2001 Kolinen D14/138
- 6,246,862 B1 * 6/2001 Grivas et al. 455/90
- D445,409 S * 7/2001 Segers D14/138
- D451,079 S * 11/2001 Ali D14/138
- D455,137 S * 4/2002 Wang D14/138
- 6,370,362 B1 * 4/2002 Hansen et al. 455/90

- D459,327 S * 6/2002 Ali D14/138
- 6,463,262 B1 * 10/2002 Johnson et al. 455/90
- D466,096 S * 11/2002 Takada D14/138

FOREIGN PATENT DOCUMENTS

WO DM/059670 5/2002

OTHER PUBLICATIONS

Hague Database Search Page [http://
guest:guest@ipdl.wipo.int/en/search/hag/
search-bool2.html], Document DM/060886, Jul. 22, 2002.*

* cited by examiner

Primary Examiner—Jeffrey Asch

(74) *Attorney, Agent, or Firm*—Banner & Witcoff, Ltd.

(57) **CLAIM**

The ornamental design for a handset, as shown and described.

DESCRIPTION

FIG. 1 is a bottom plan view of a handset showing my new design;

FIG. 2 is a right side view thereof;

FIG. 3 is a front view thereof;

FIG. 4 is a left side view thereof;

FIG. 5 is a top plan view thereof;

FIG. 6 is a rear view thereof;

FIG. 7 is a perspective front view thereof;

FIG. 8 is a perspective rear view thereof;

FIG. 9 is a right side view thereof in an open position;

FIG. 10 is a front view thereof in an open position;

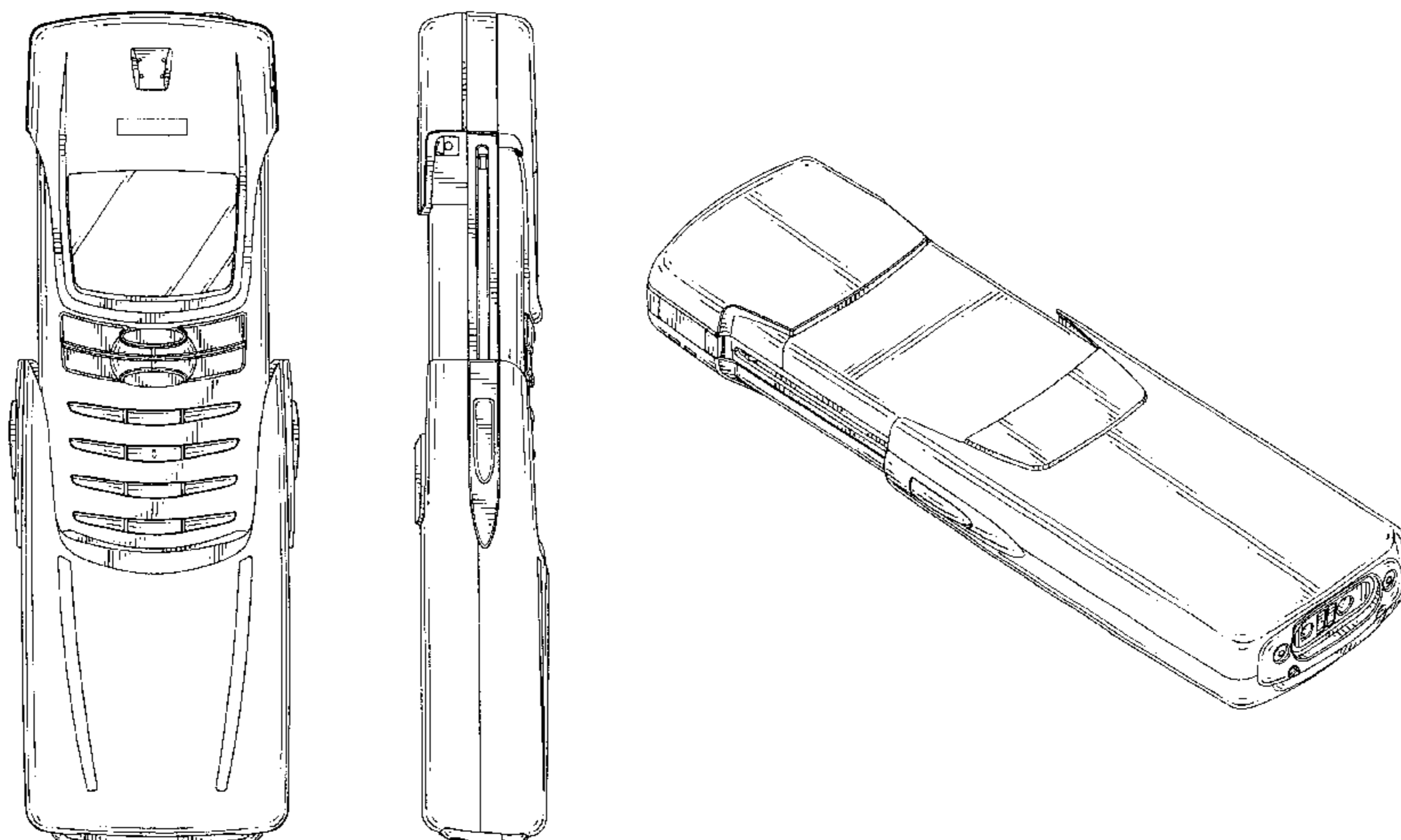
FIG. 11 is a left side view thereof in an open position;

FIG. 12 is a perspective front view thereof in an open position; and,

FIG. 13 is a perspective rear view thereof in an open position.

The broken line showing of the element on the key in FIGS. 10 and 12 is for illustrative purposes only and forms no part of the claimed design.

1 Claim, 5 Drawing Sheets



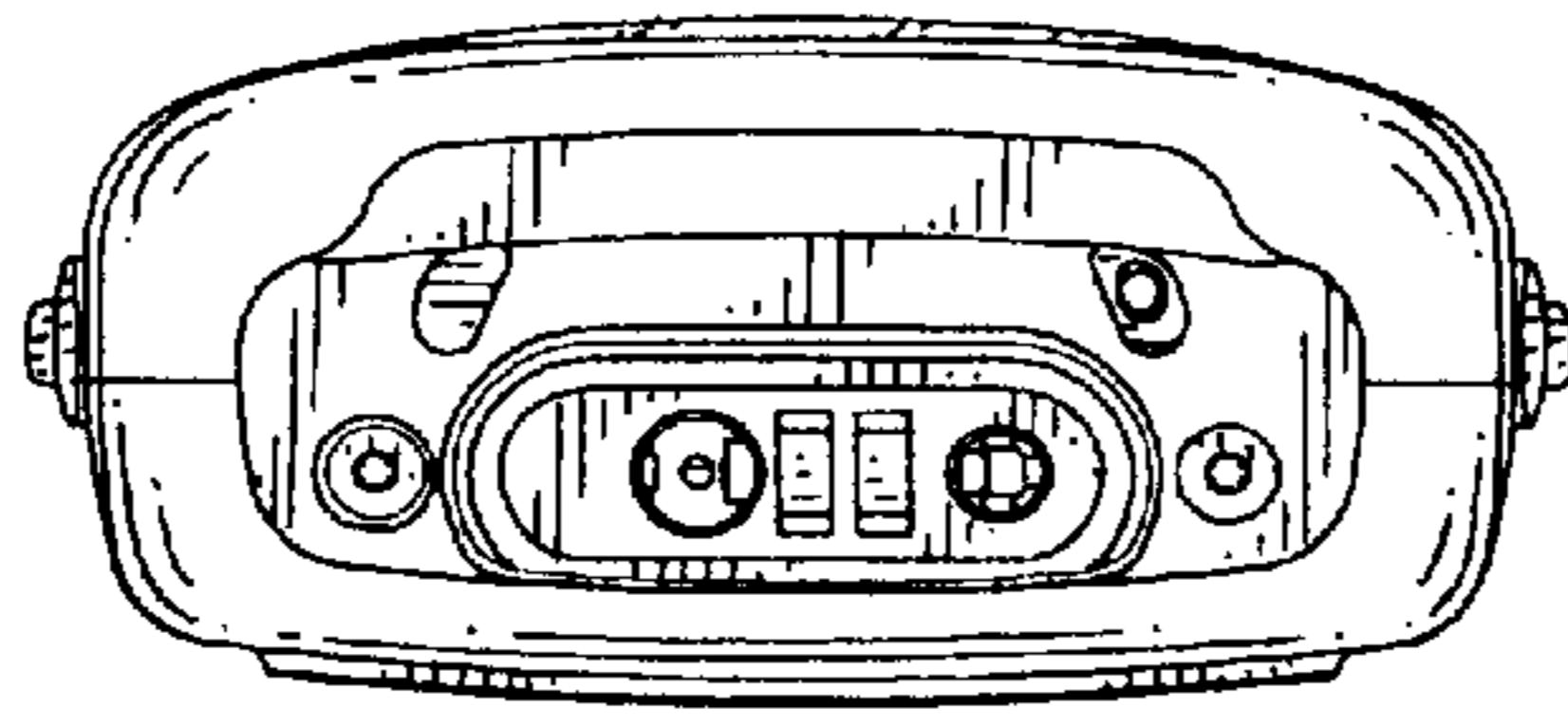


FIG. 1

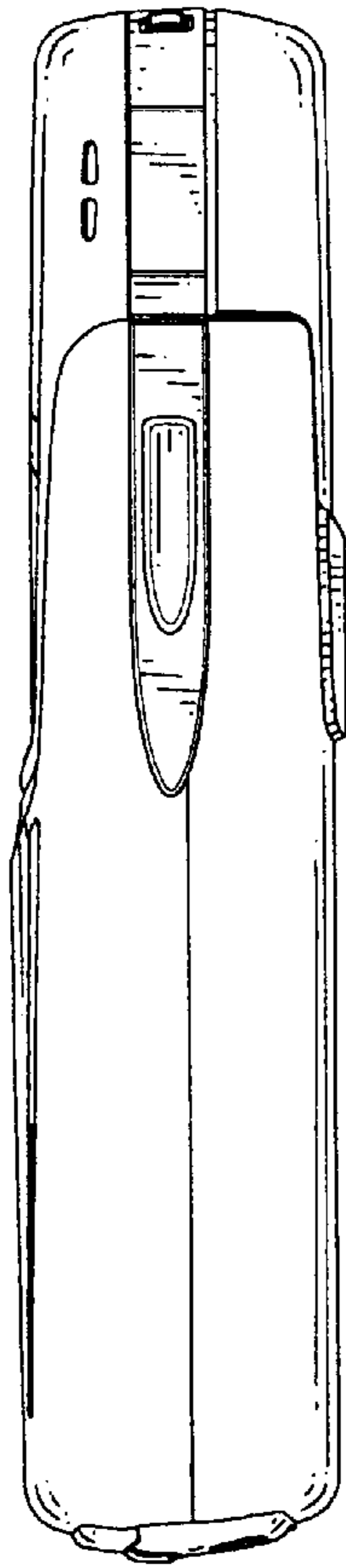


FIG. 2

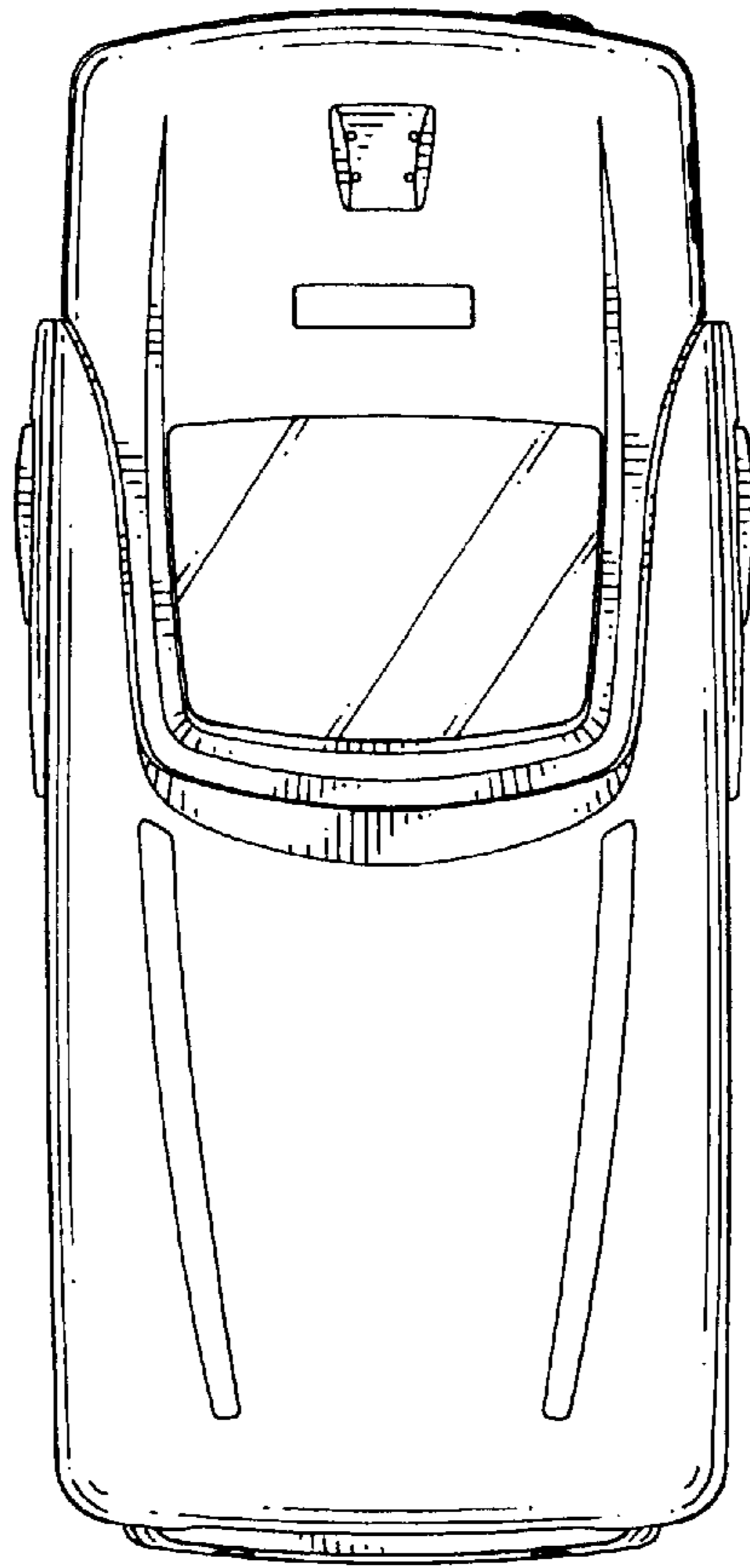


FIG. 3

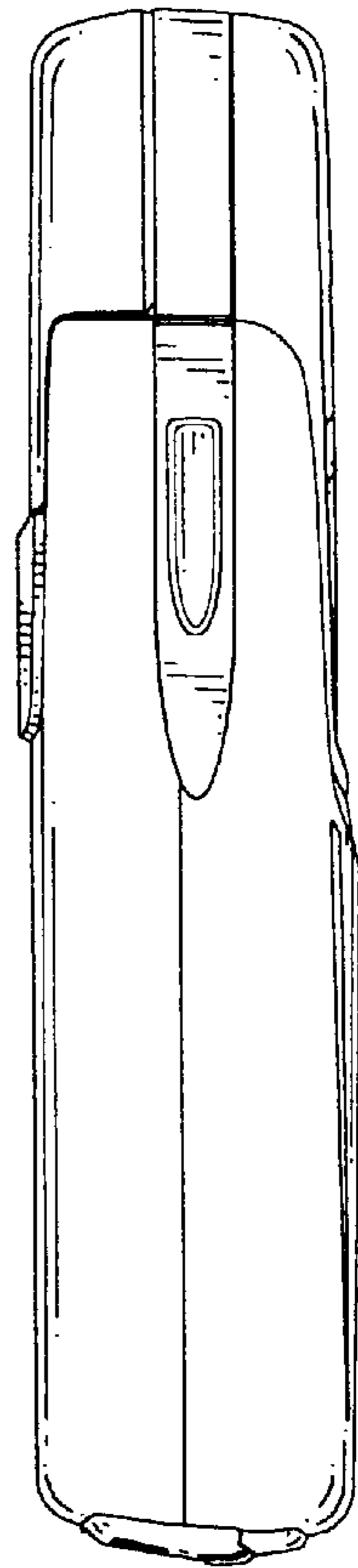


FIG. 4

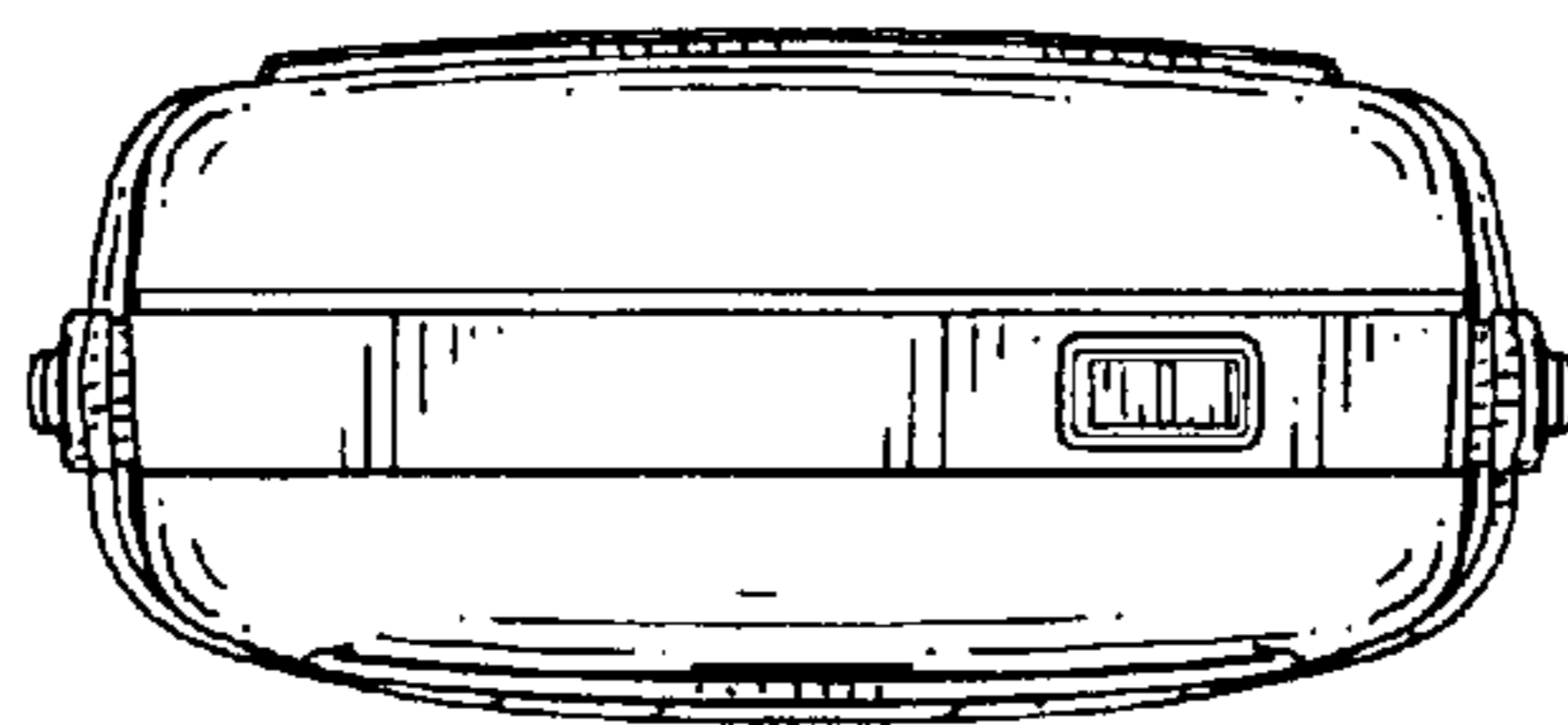


FIG. 5

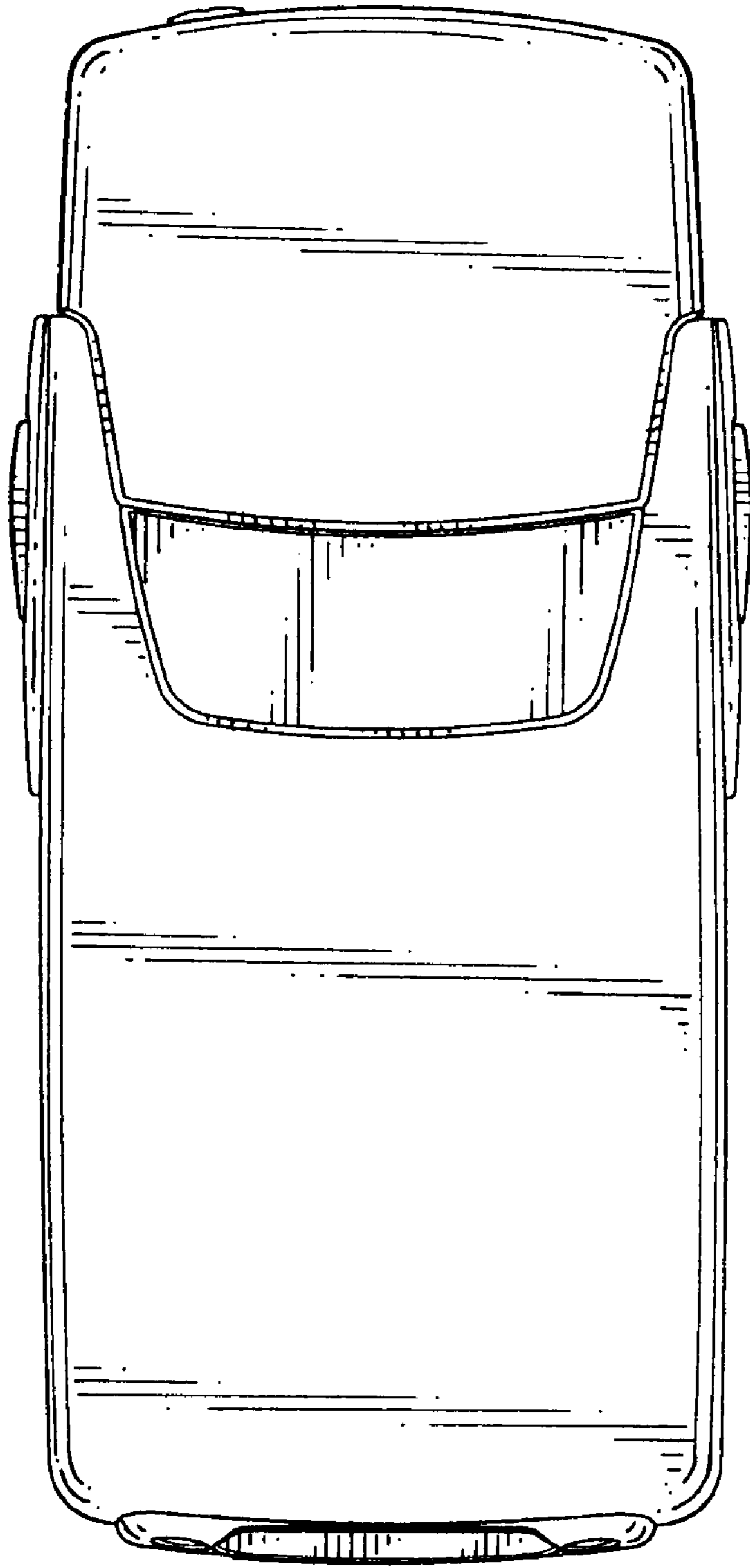


FIG.6

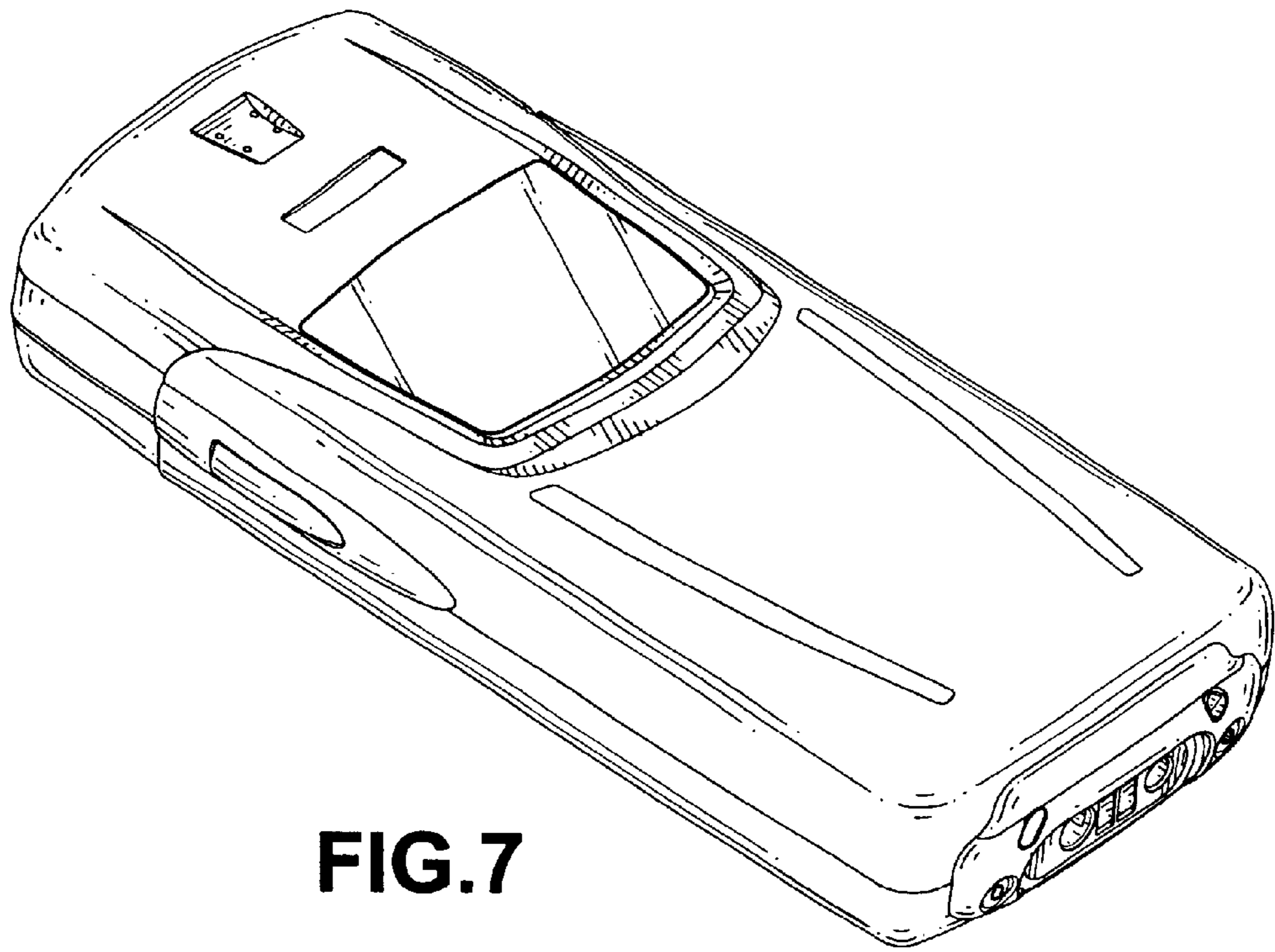


FIG. 7

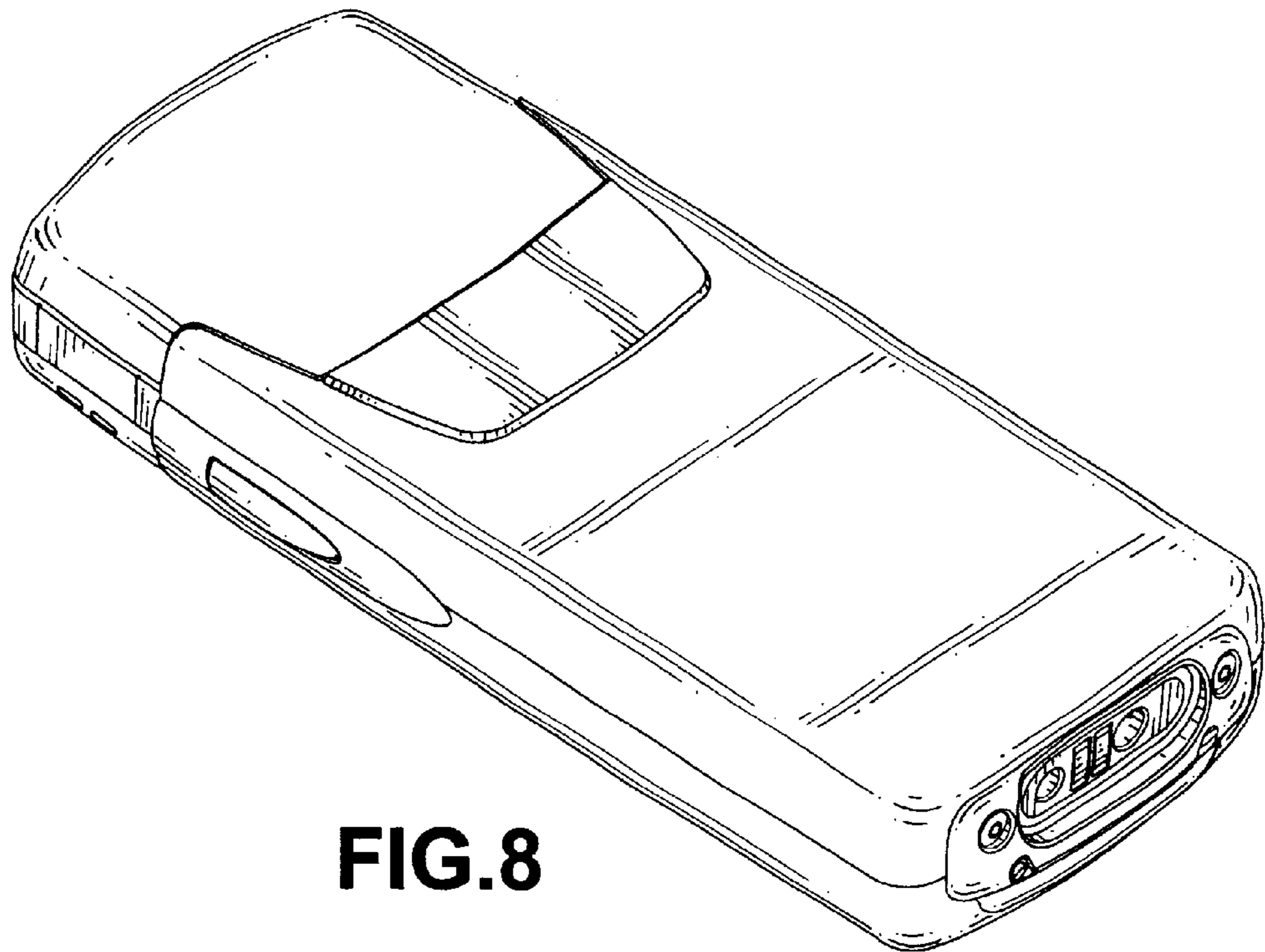


FIG. 8

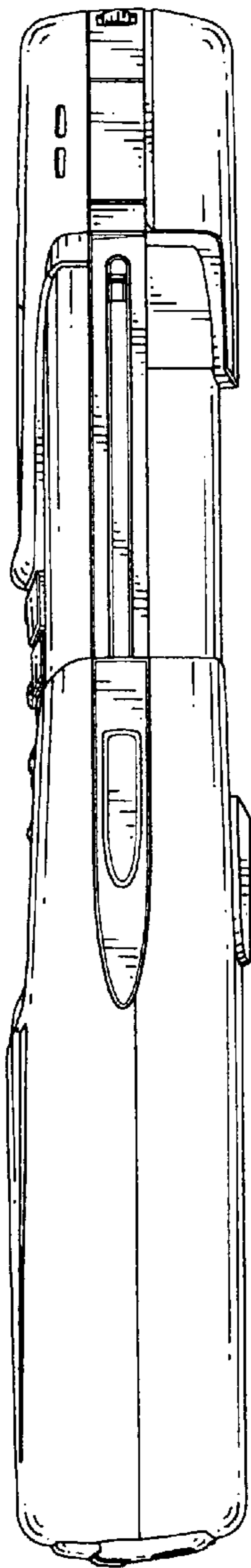


FIG.9

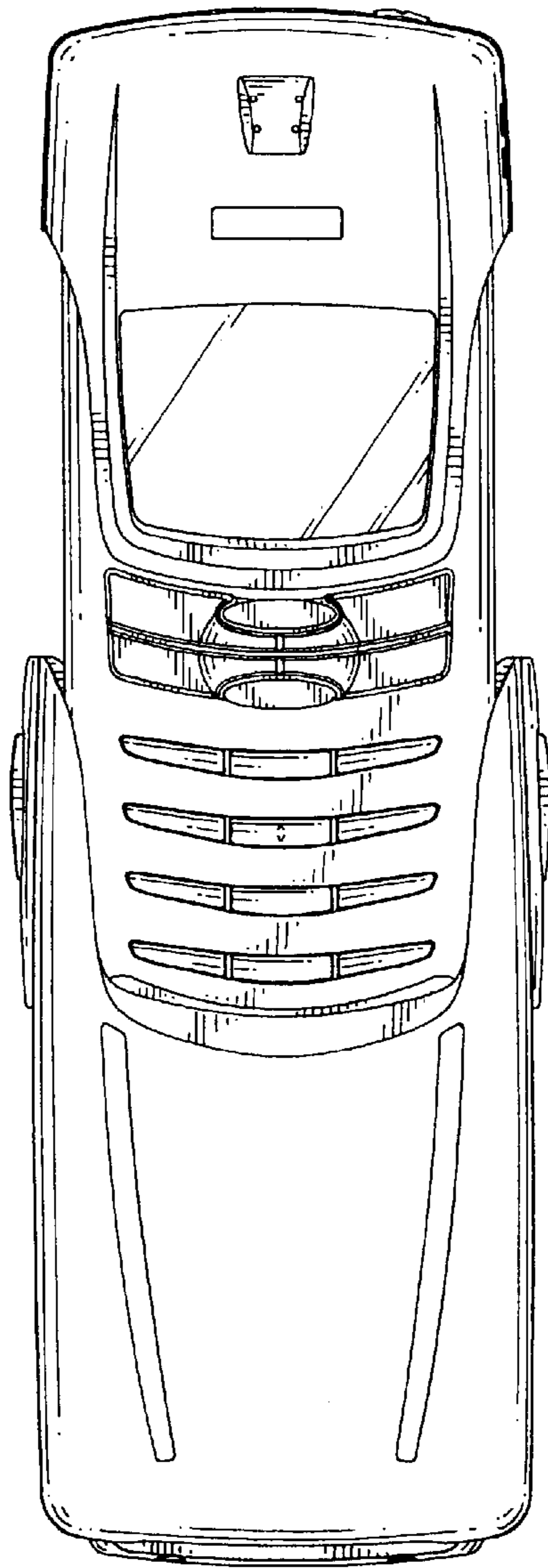


FIG.10

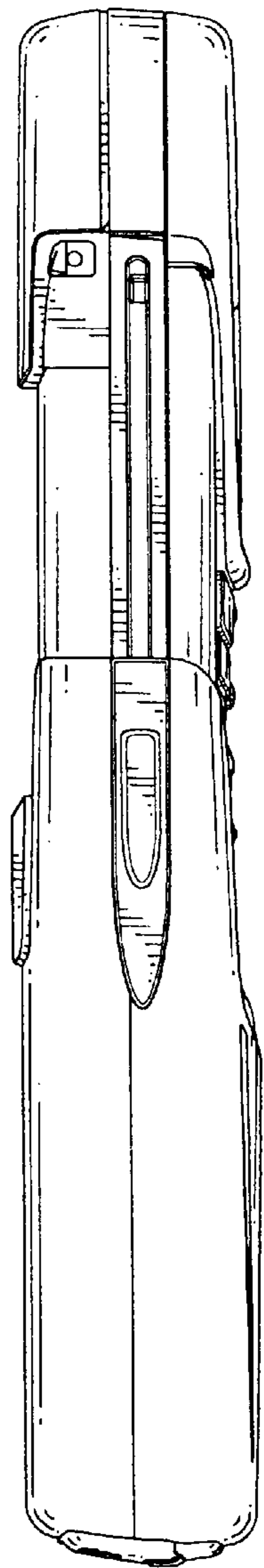


FIG.11

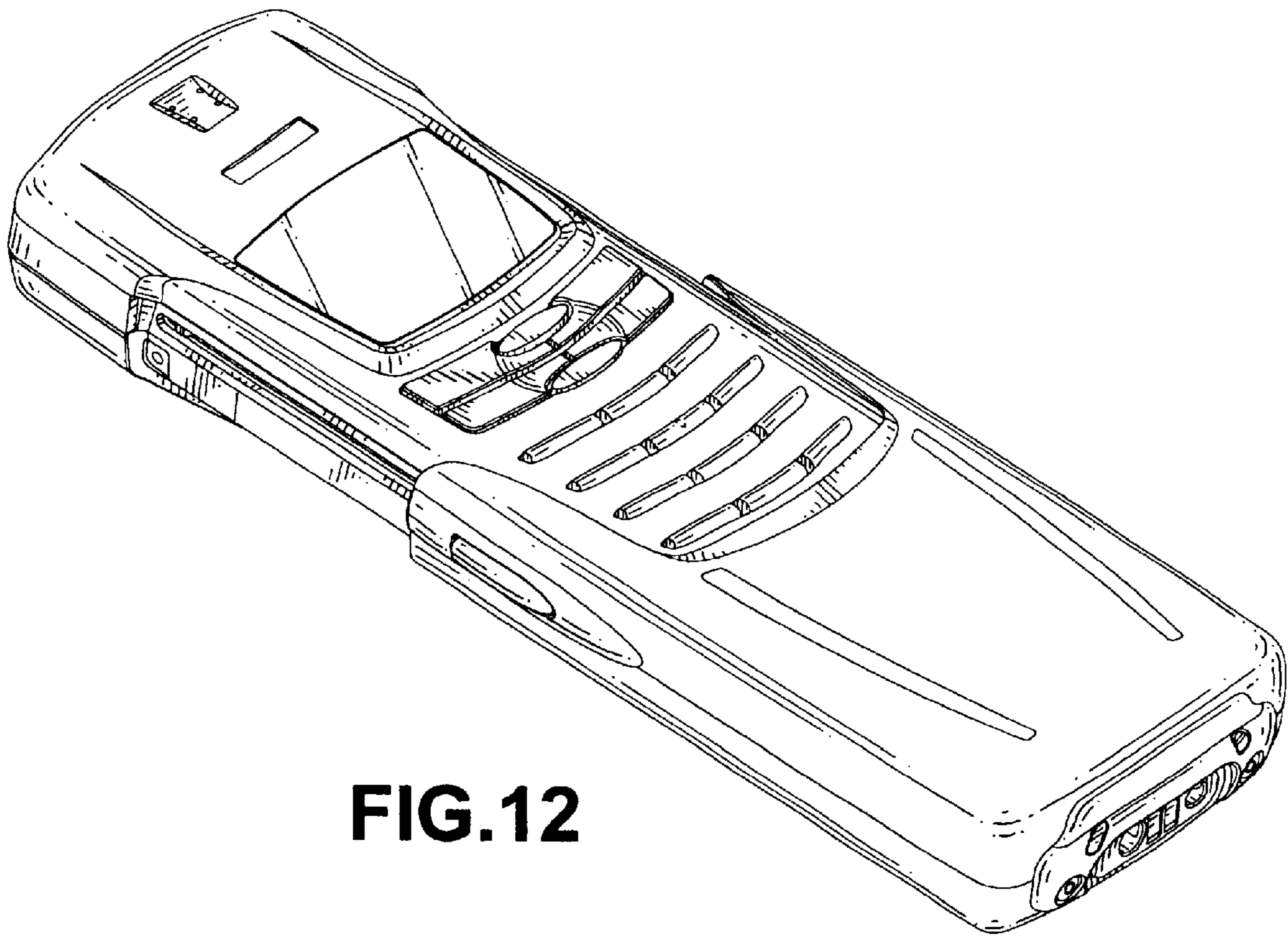


FIG.12

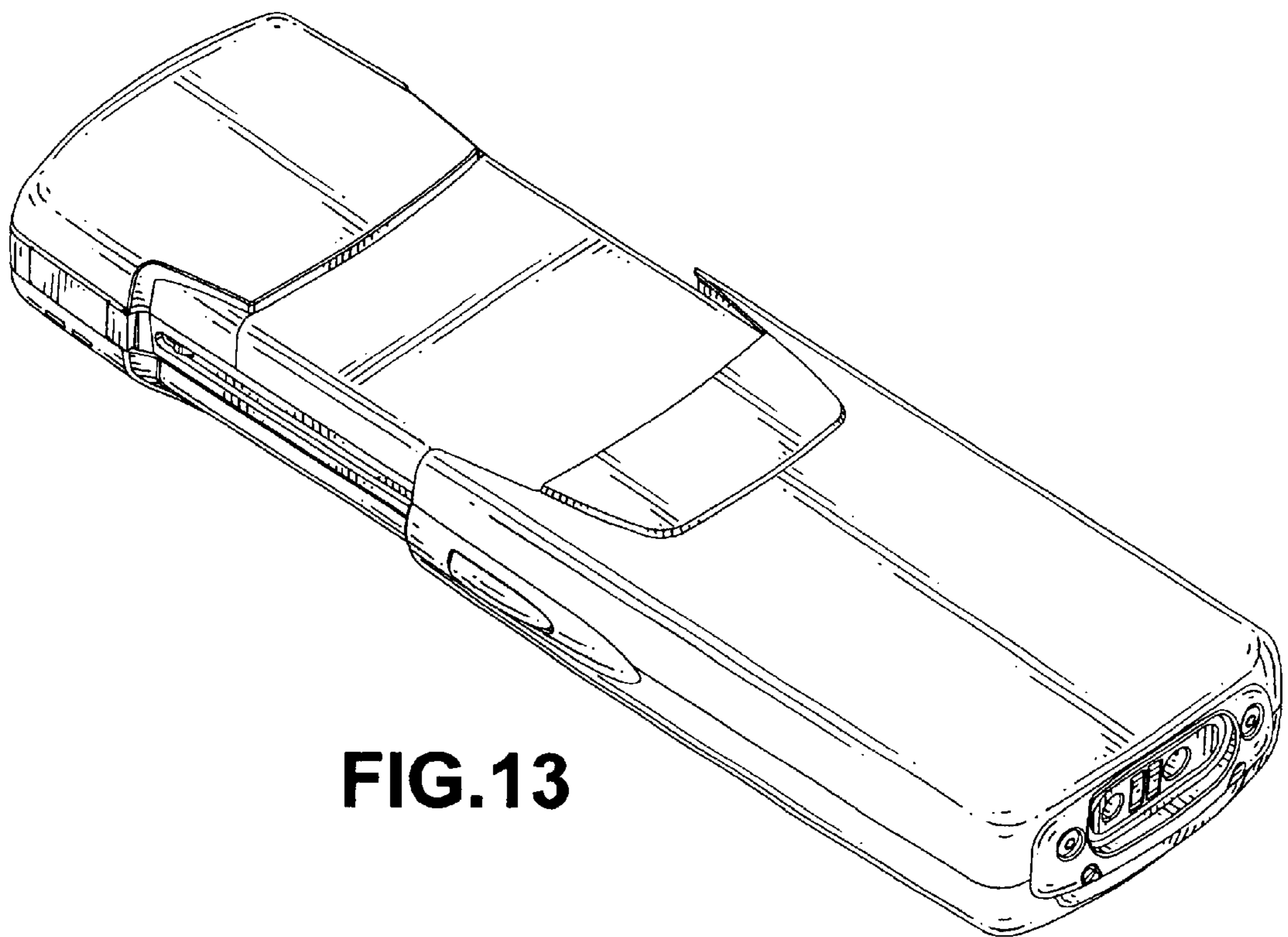


FIG.13