



US00D483021S

(12) **United States Design Patent**
Shih

(10) **Patent No.:** **US D483,021 S**

(45) **Date of Patent:** **** Dec. 2, 2003**

(54) **LCD MONITOR**

(75) **Inventor:** **Wei-Ming Shih, Chung Ho (TW)**

(73) **Assignee:** **Amtran Technology Co., Ltd., Chung Ho (TW)**

(**) **Term:** **14 Years**

(21) **Appl. No.:** **29/173,494**

(22) **Filed:** **Dec. 30, 2002**

(51) **LOC (7) Cl.** **14-03**

(52) **U.S. Cl.** **D14/126**

(58) **Field of Search** D14/125-136,
D14/239, 371, 374-377; 312/7.2; 348/836,
838, 180, 184, 325, 739; 341/12; 248/917-924;
345/104, 133, 156, 168, 87, 173

(56) **References Cited**

U.S. PATENT DOCUMENTS

- D411,522 S * 6/1999 Chuo et al. D14/126
- D412,892 S * 8/1999 Lee D14/375
- D416,875 S * 11/1999 Chuo et al. D14/126
- D424,033 S * 5/2000 Hsu D14/374

- D424,034 S * 5/2000 Li D14/374
- D446,519 S * 8/2001 Wu D14/375
- D474,162 S * 5/2003 Kubota D14/126

* cited by examiner

Primary Examiner—Raphael Barkai

(74) *Attorney, Agent, or Firm*—Brooks Kushman P.C.

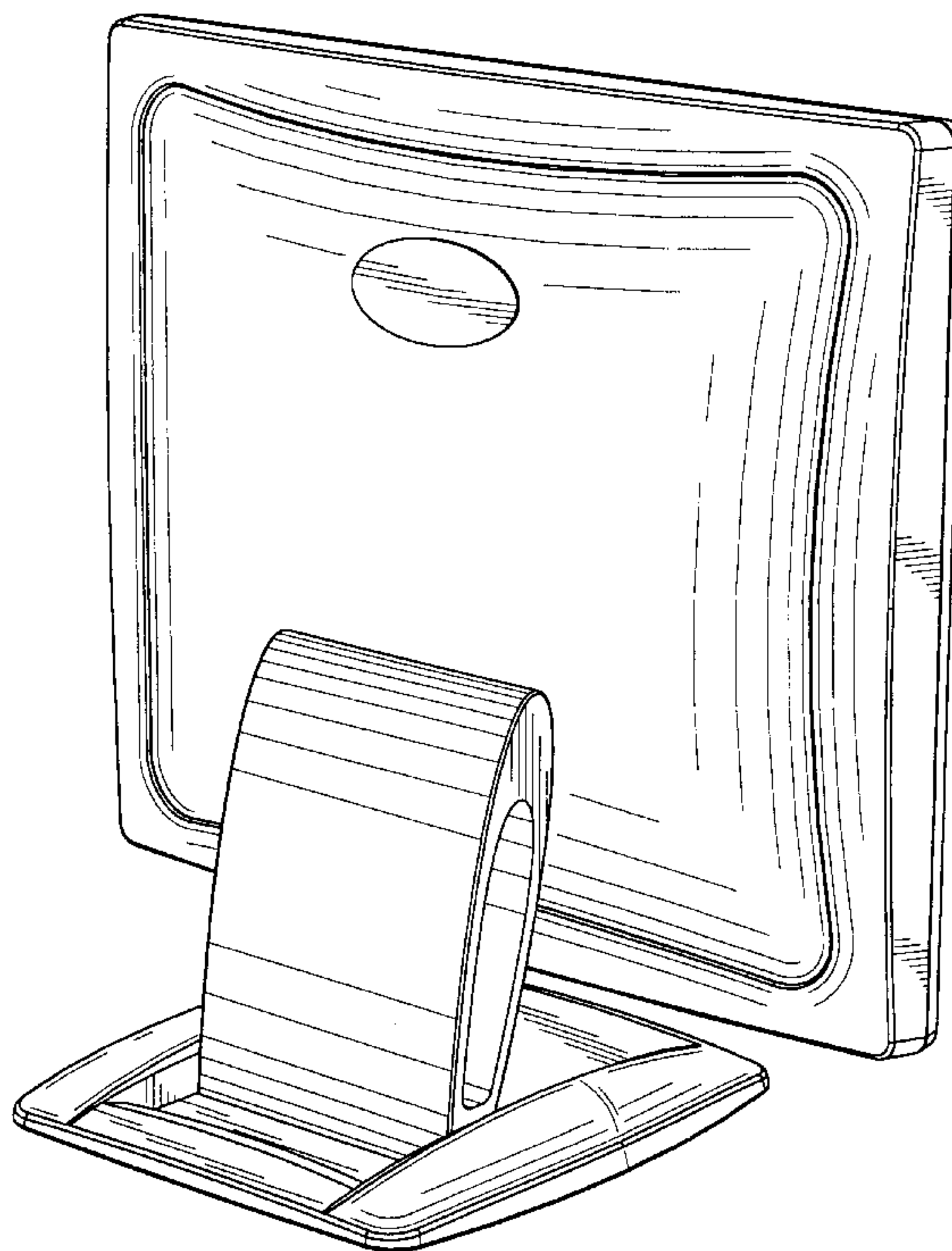
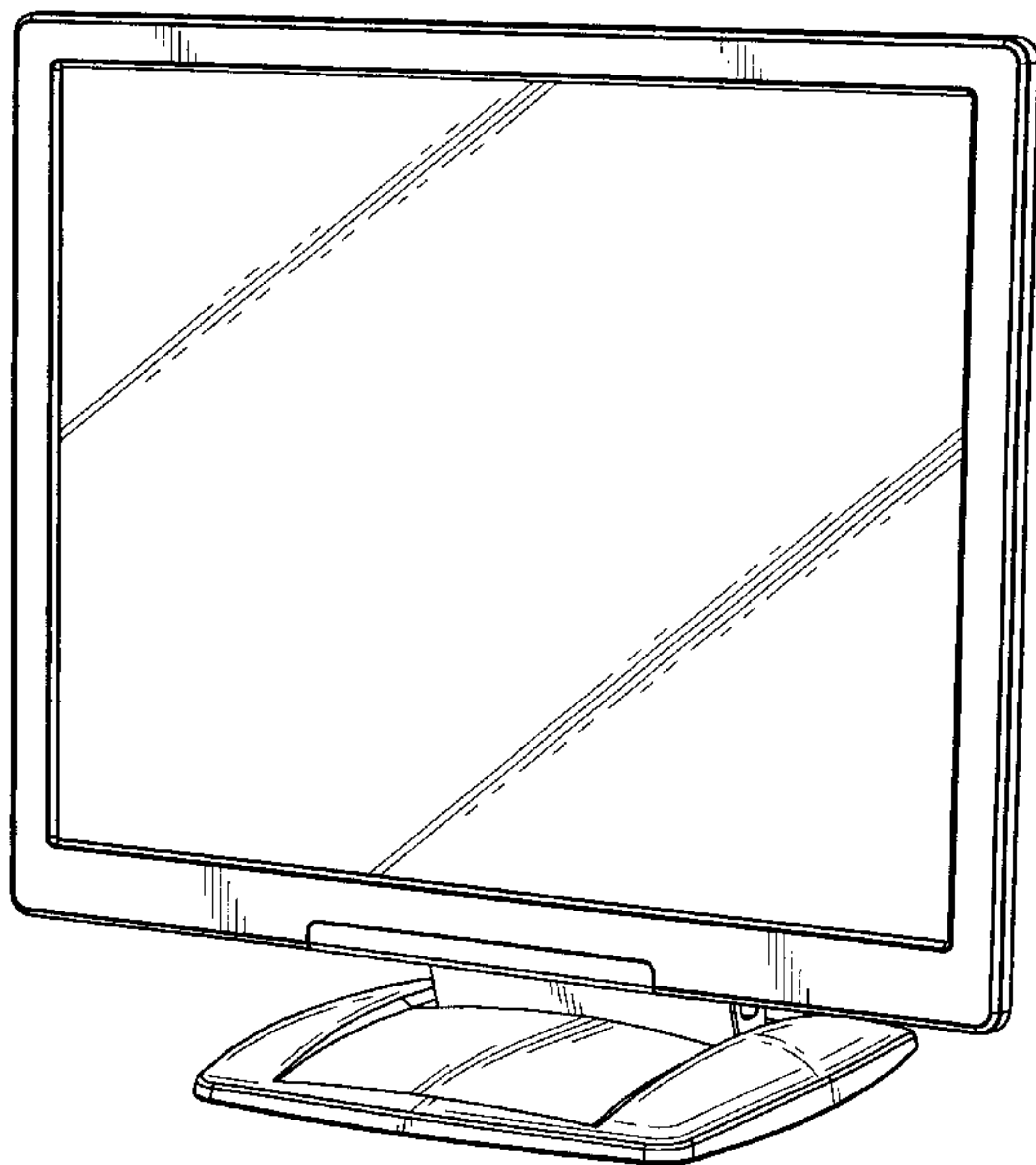
(57) **CLAIM**

The ornamental design for LCD monitor, as shown and described.

DESCRIPTION

FIG. 1 is a perspective view of LCD monitor showing my new design;
 FIG. 2 is a front elevational view thereof;
 FIG. 3 is a rear elevational view thereof;
 FIG. 4 is a left side elevational view thereof;
 FIG. 5 is a right side elevational view thereof;
 FIG. 6 is a top plan view thereof; and
 FIG. 7 is a bottom plan view thereof; and,
 FIG. 8 is another perspective view of LCD monitor, viewed from the rear.

1 Claim, 5 Drawing Sheets



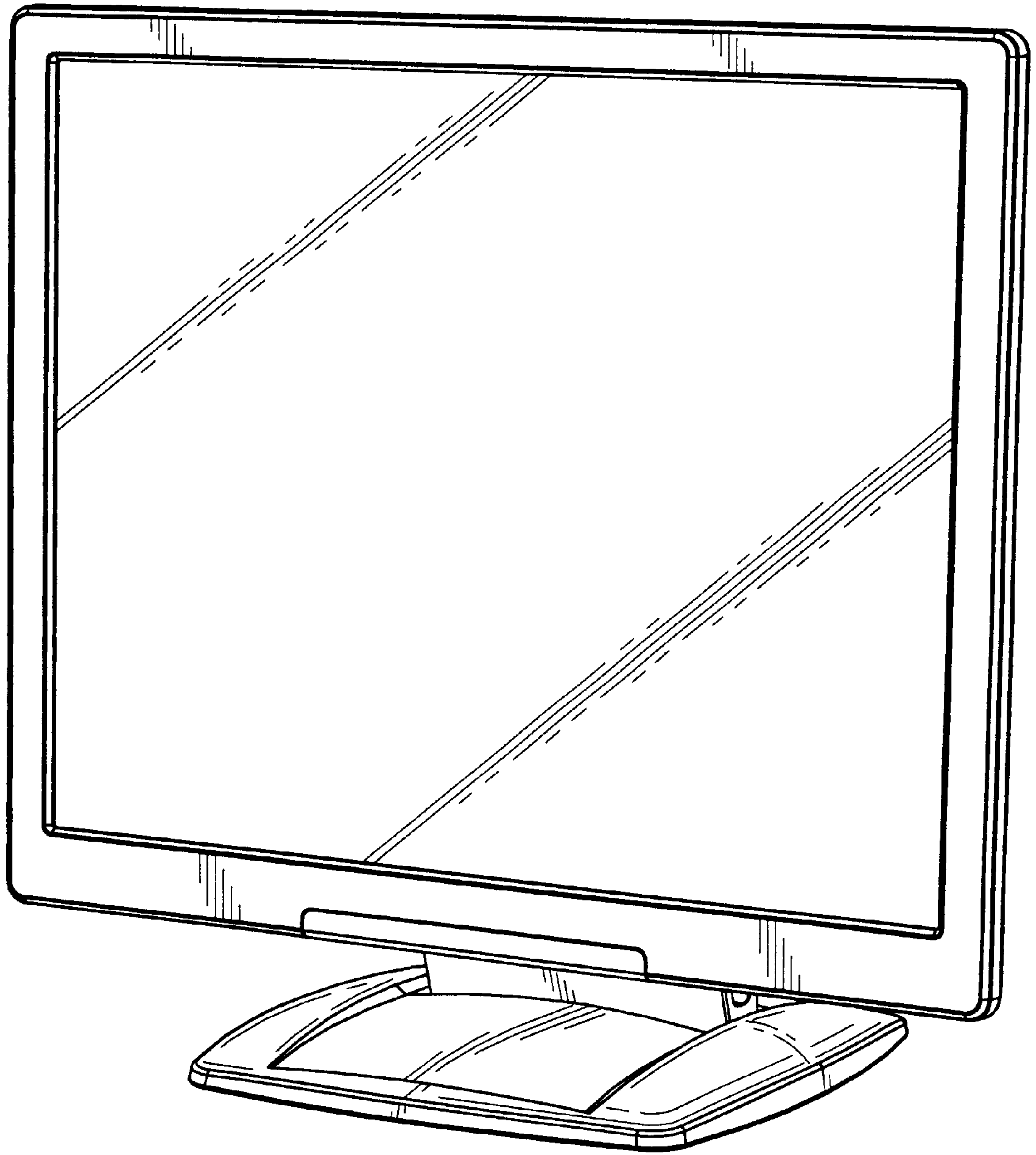


FIG. 1

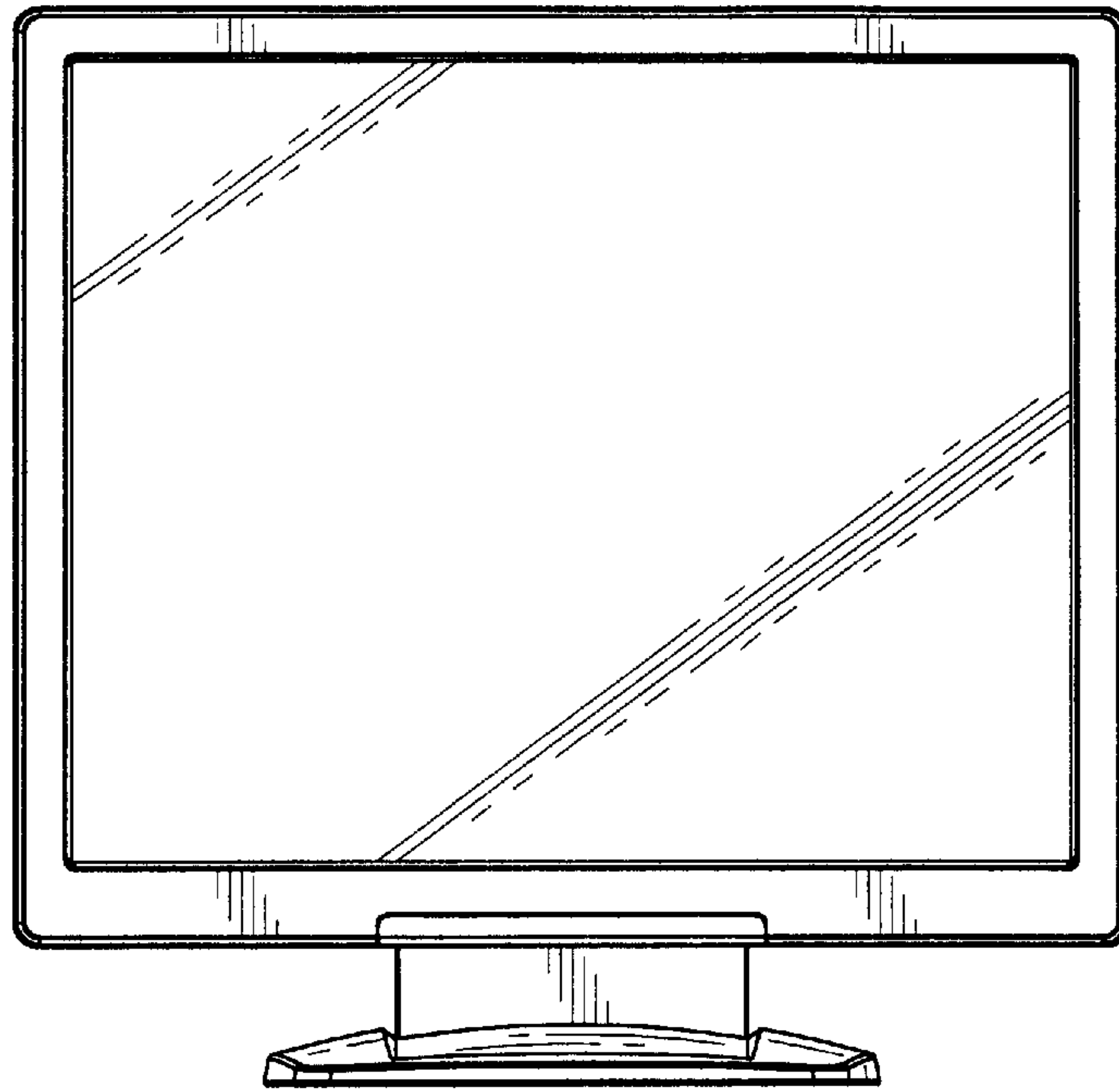


FIG. 2

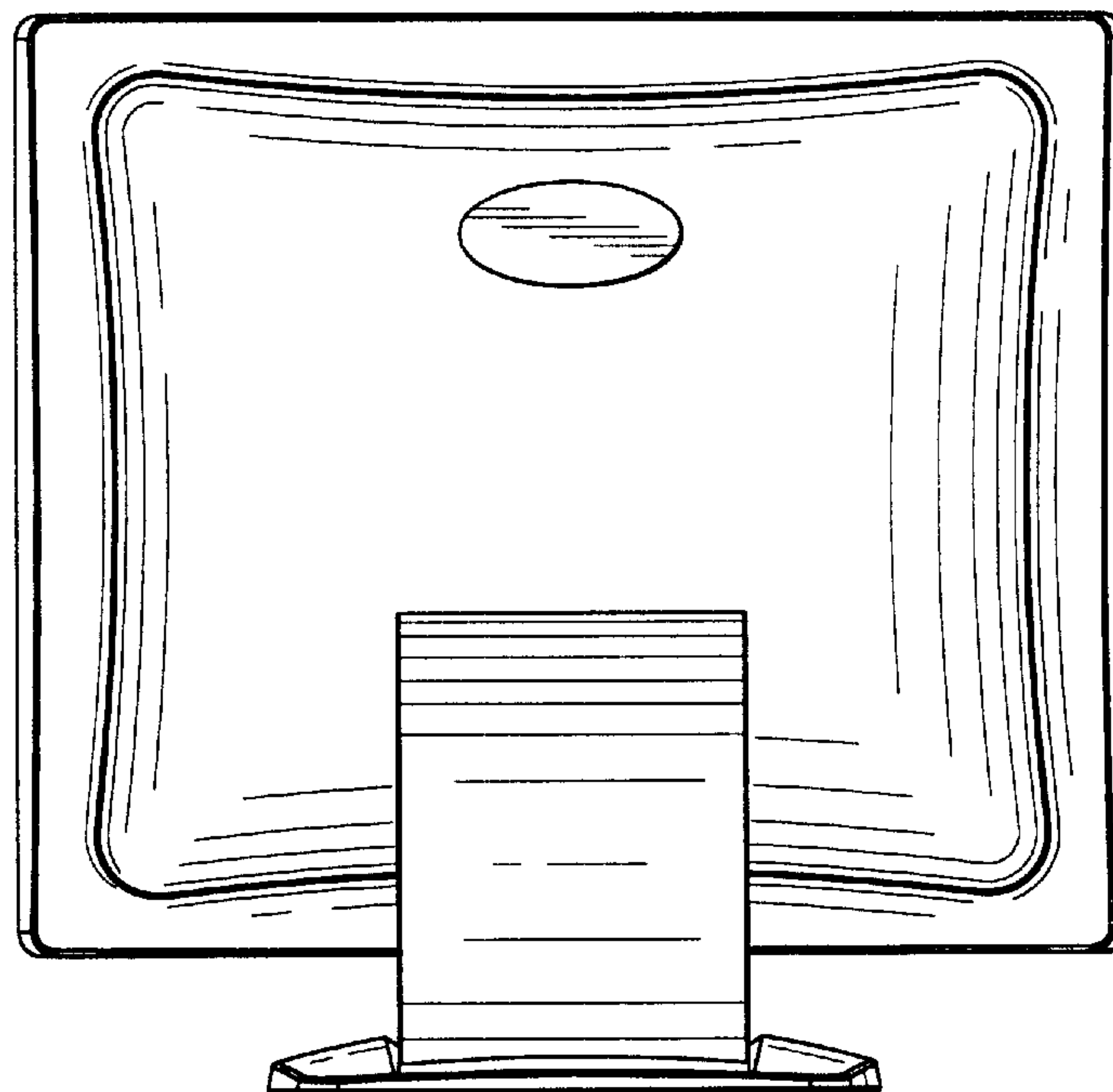


FIG. 3

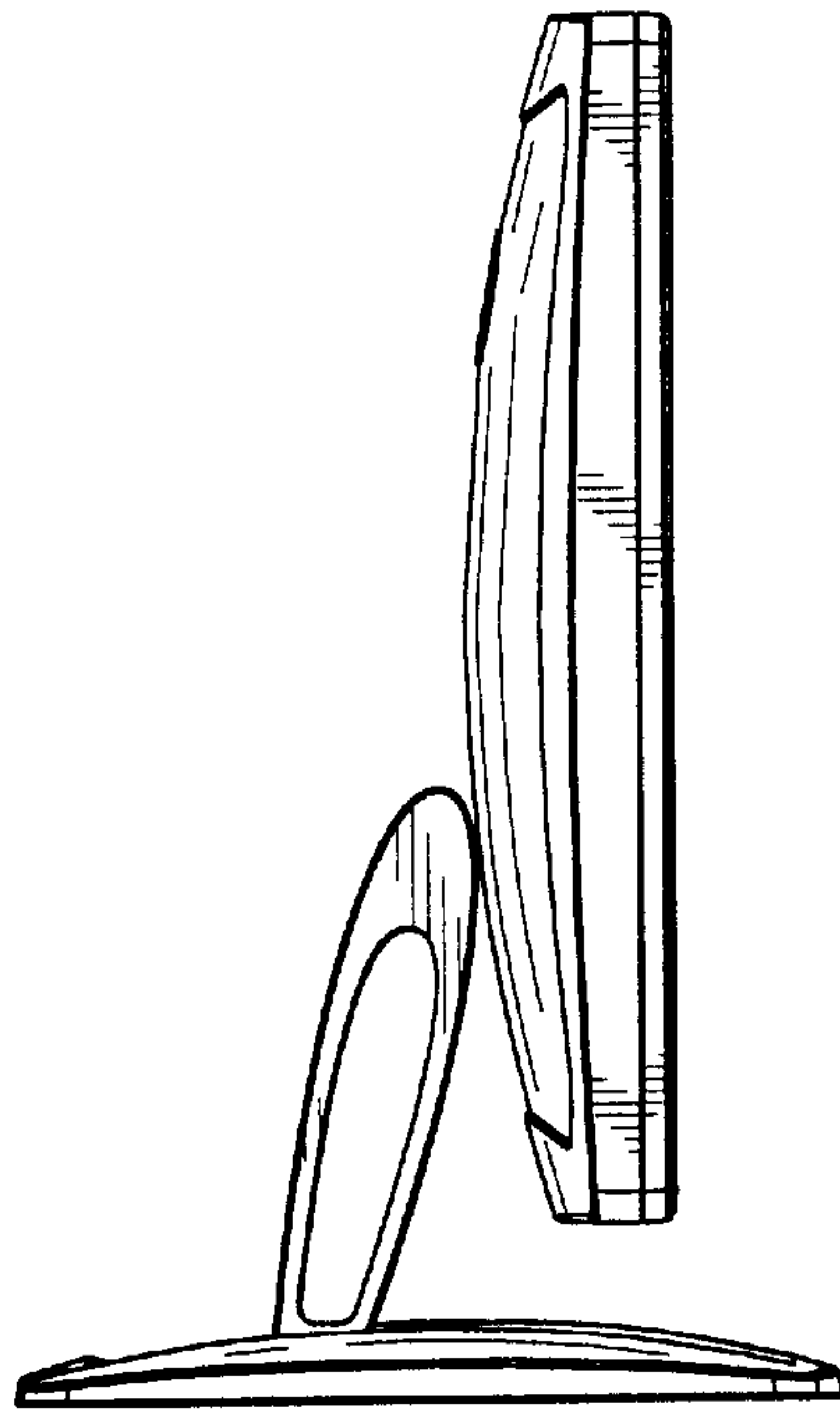


FIG. 4

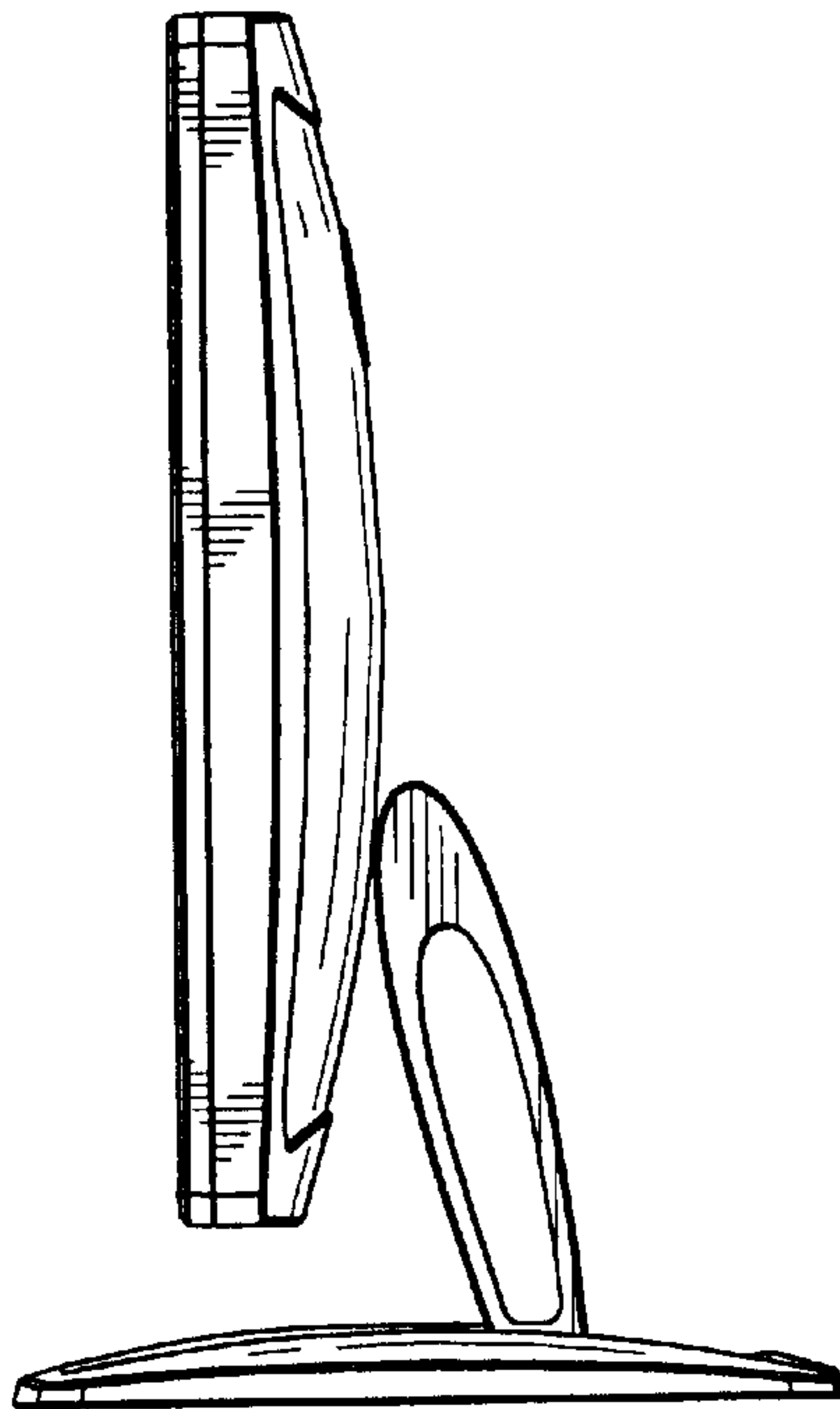


FIG. 5

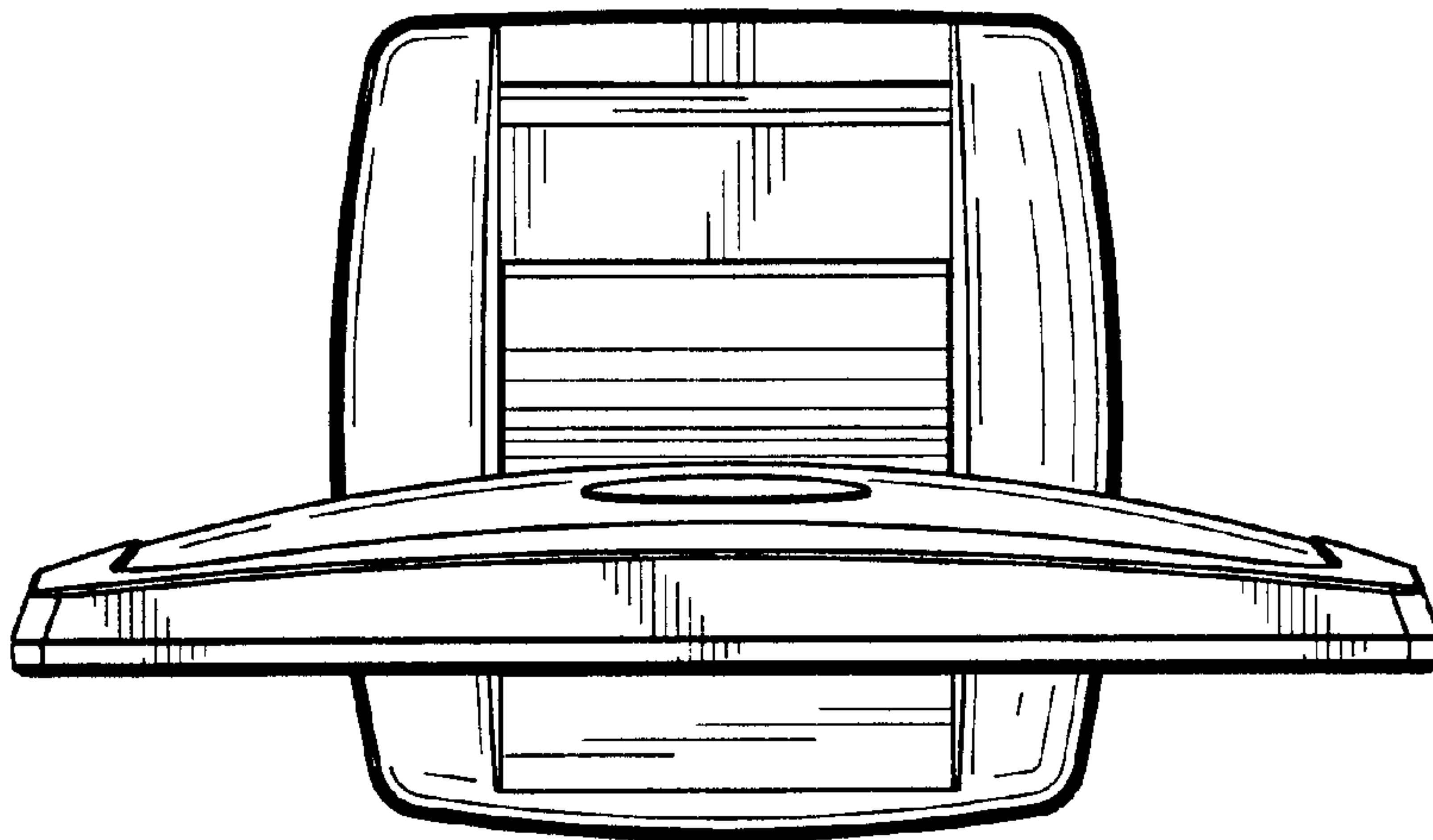


FIG. 6

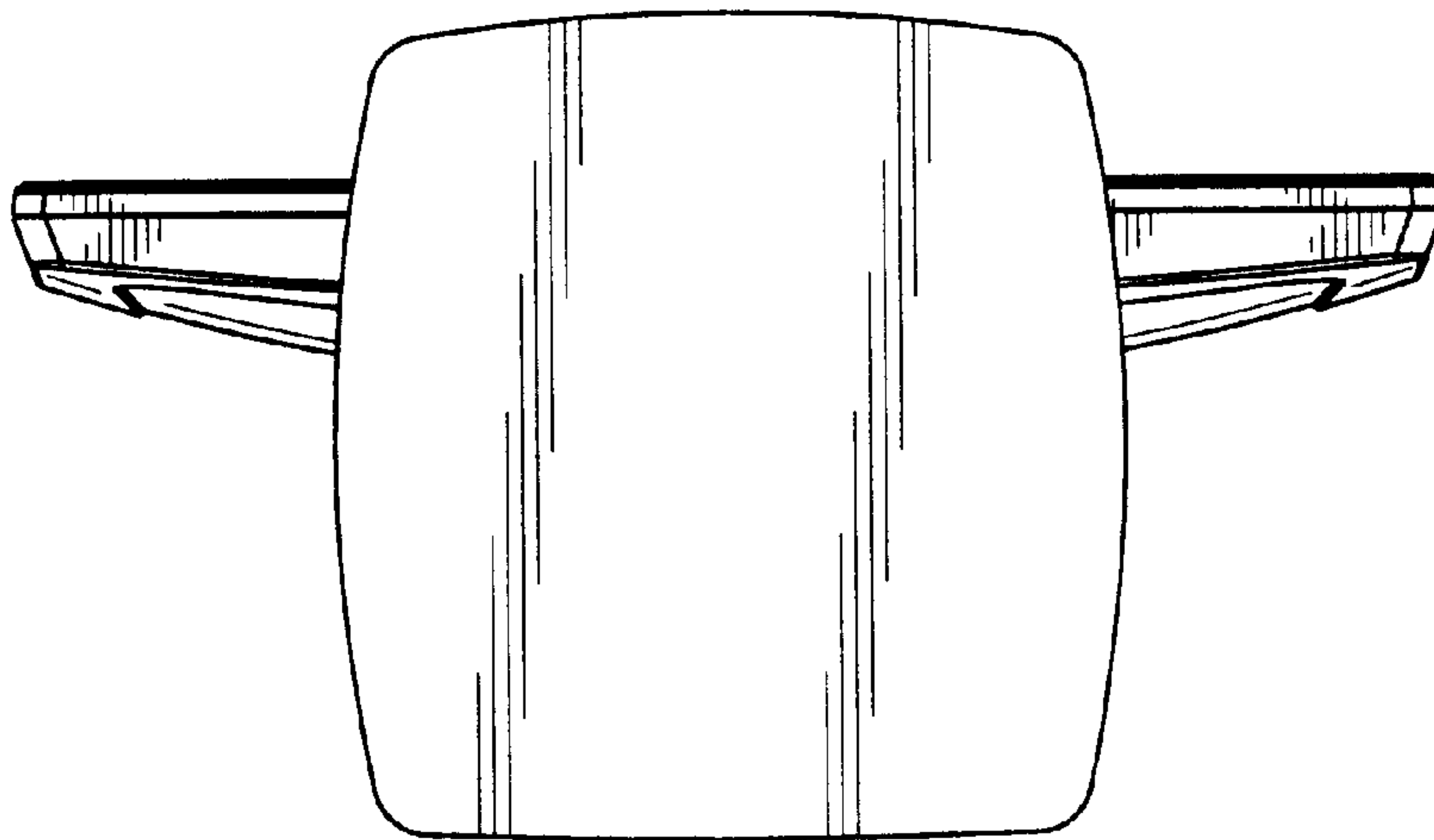


FIG. 7

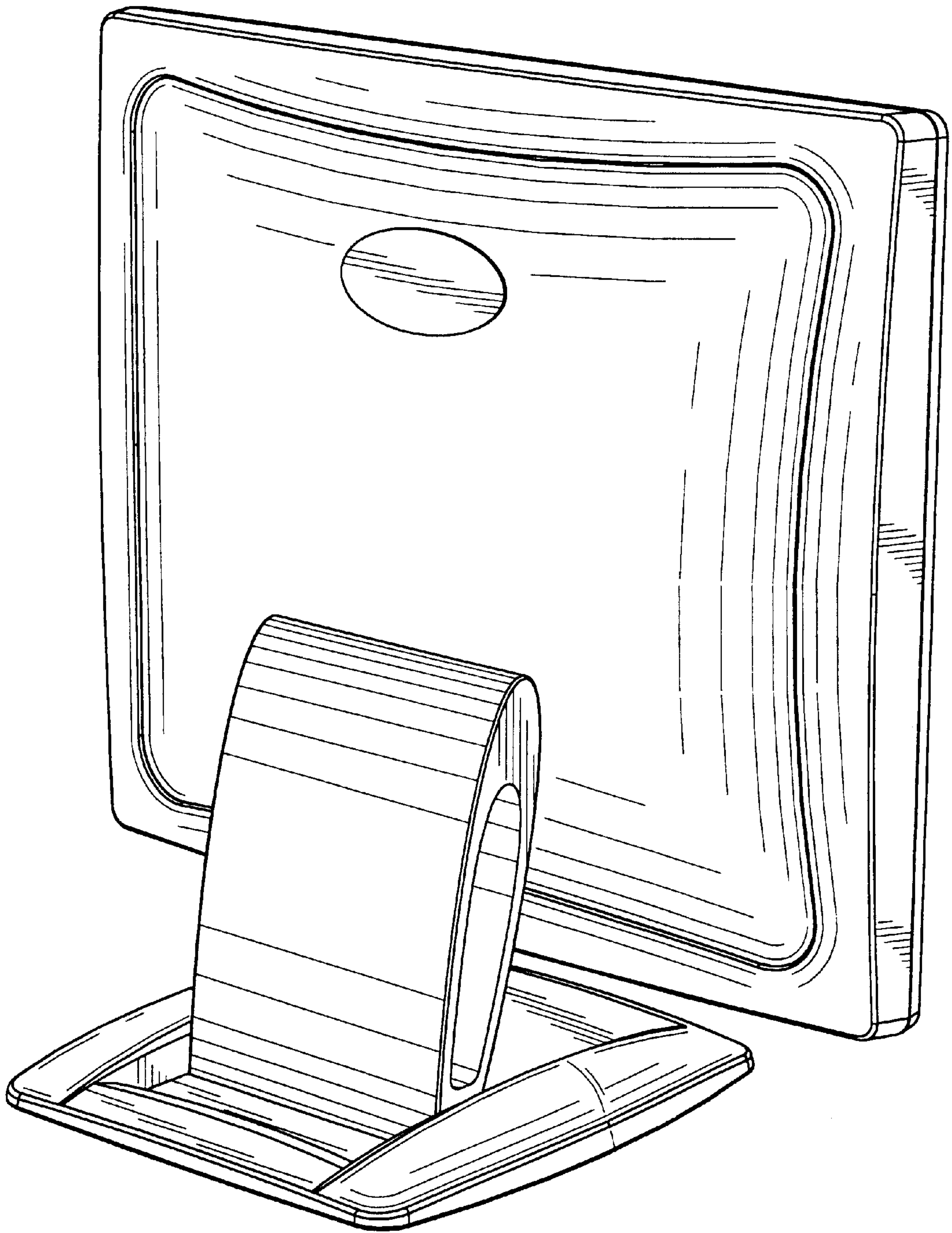


FIG. 8