



US00D483018S

(12) **United States Design Patent**
Chen

(10) **Patent No.:** **US D483,018 S**

(45) **Date of Patent:** **** Dec. 2, 2003**

(54) **AUTOMATIC SWITCHING DEVICE**

(75) **Inventor:** **Kevin Chen, Shijr (TW)**

(73) **Assignee:** **Aten International Co. Ltd, Taipei (TW)**

(**) **Term:** **14 Years**

(21) **Appl. No.:** **29/171,475**

(22) **Filed:** **Nov. 21, 2002**

(51) **LOC (7) Cl.** **13-03**

(52) **U.S. Cl.** **D13/164; D13/171**

(58) **Field of Search** **D13/133, 147, D13/158, 164, 171; 200/176, 179; 307/43; 361/709, 724, 730, 735, 736, 752, 763, 784, 796, 816, 829, 600-679; 439/300; 710/305; 713/300, 310, 320, 330, 323, 340**

(56) **References Cited**

U.S. PATENT DOCUMENTS

D371,115 S	*	6/1996	Stern	D13/164
5,903,438 A	*	5/1999	Deschamps et al.	361/736
D426,192 S	*	6/2000	Rathbun et al.	D13/147
6,321,340 B1	*	11/2001	Shin et al.	713/310
6,578,152 B1	*	6/2003	Burnside	713/300

* cited by examiner

Primary Examiner—Philip S. Hyder

Assistant Examiner—Selina Sikder

(74) *Attorney, Agent, or Firm*—W. Wayne Liauh

(57) **CLAIM**

The ornamental design for a automatic switching device, as shown and described.

DESCRIPTION

There is provided an automatic switching device mainly for automatically switching between two or more sets of computer equipment.

FIG. 1 is a perspective view of an automatic switching device showing my design;

FIG. 2 is a front view thereof;

FIG. 3 is a rear view thereof;

FIG. 4 is a left side view thereof;

FIG. 5 is a right side view thereof;

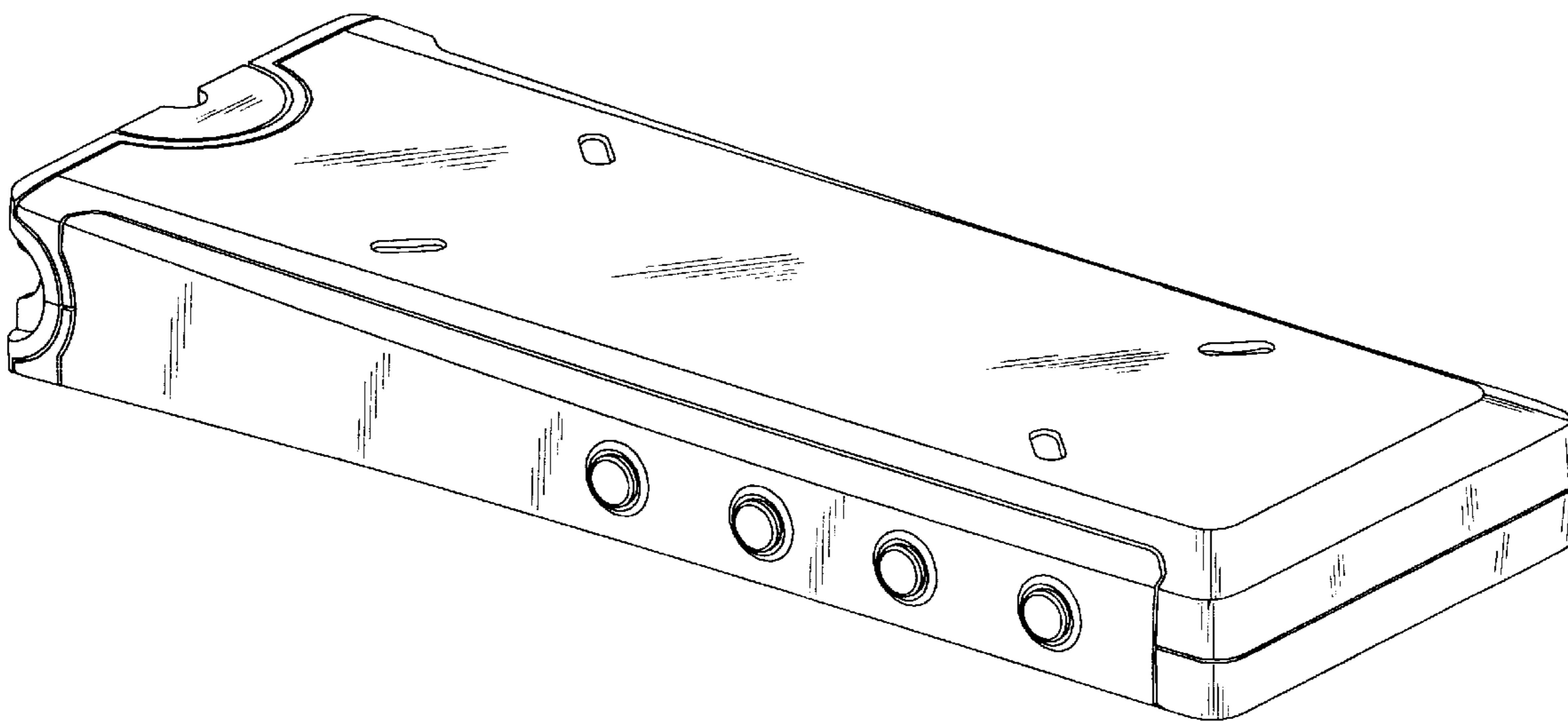
FIG. 6 is a top view thereof;

FIG. 7 is a bottom view thereof;

FIG. 8 is another perspective view thereof; and,

FIG. 9 is a further perspective view of the automatic switching device of my design in an upright position for use.

1 Claim, 6 Drawing Sheets



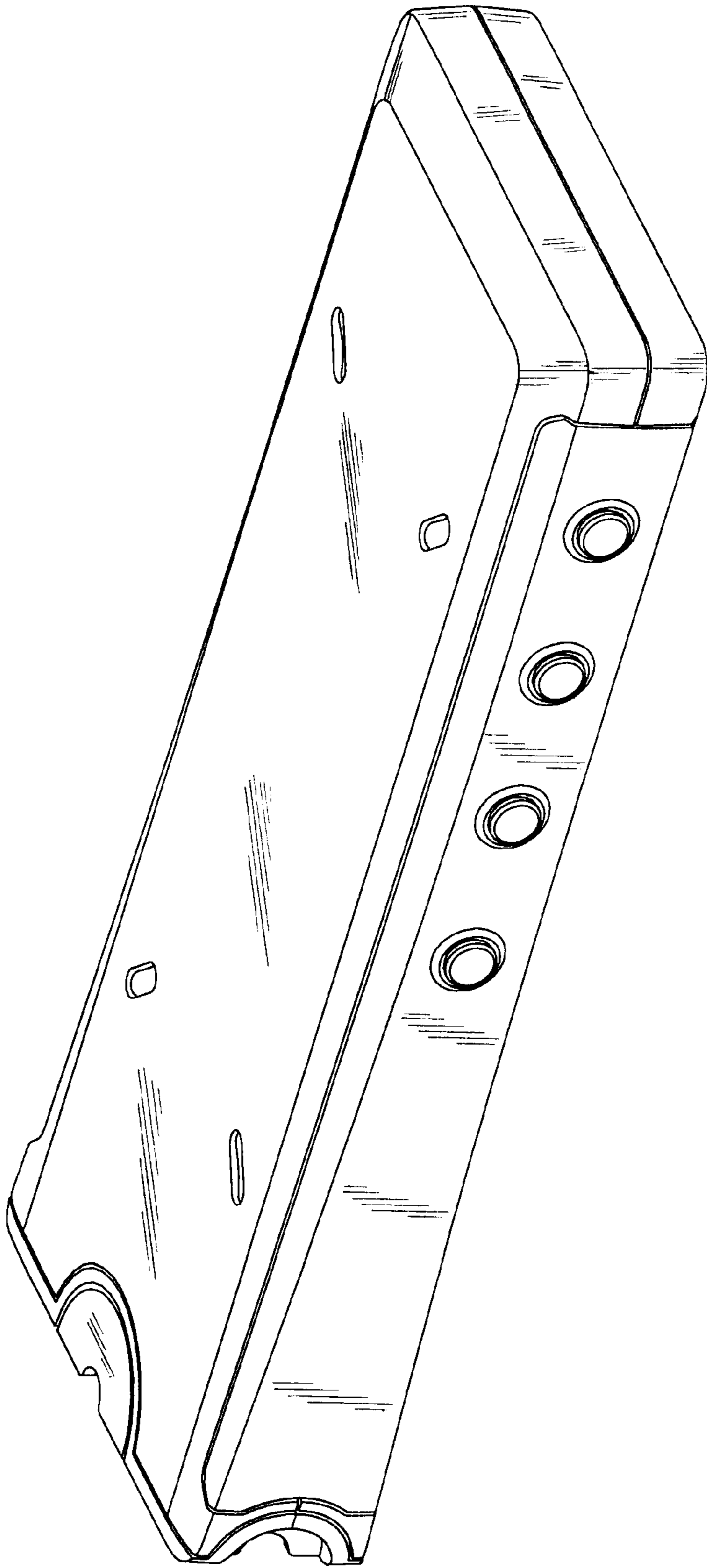


FIG. 1

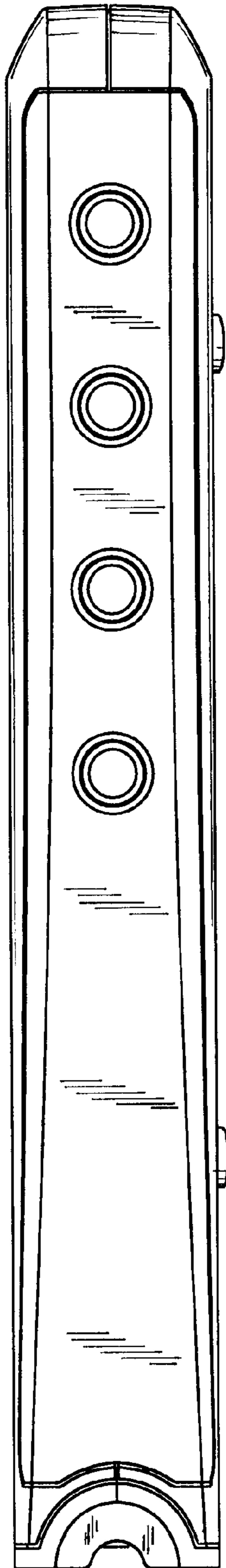


FIG. 2

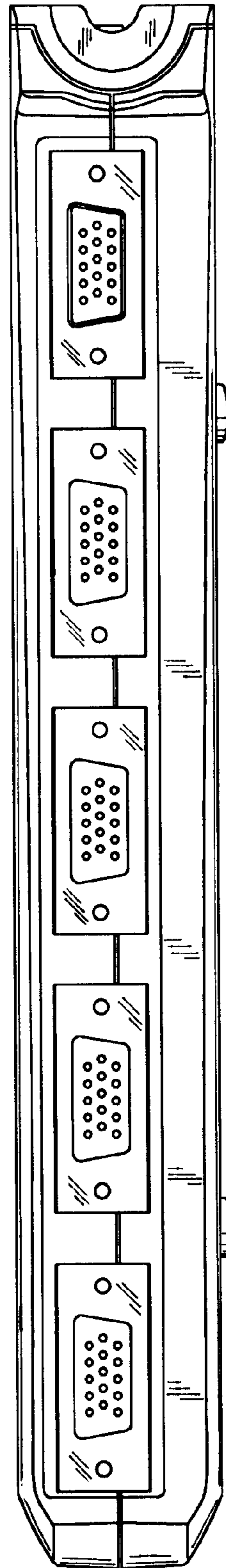


FIG. 3

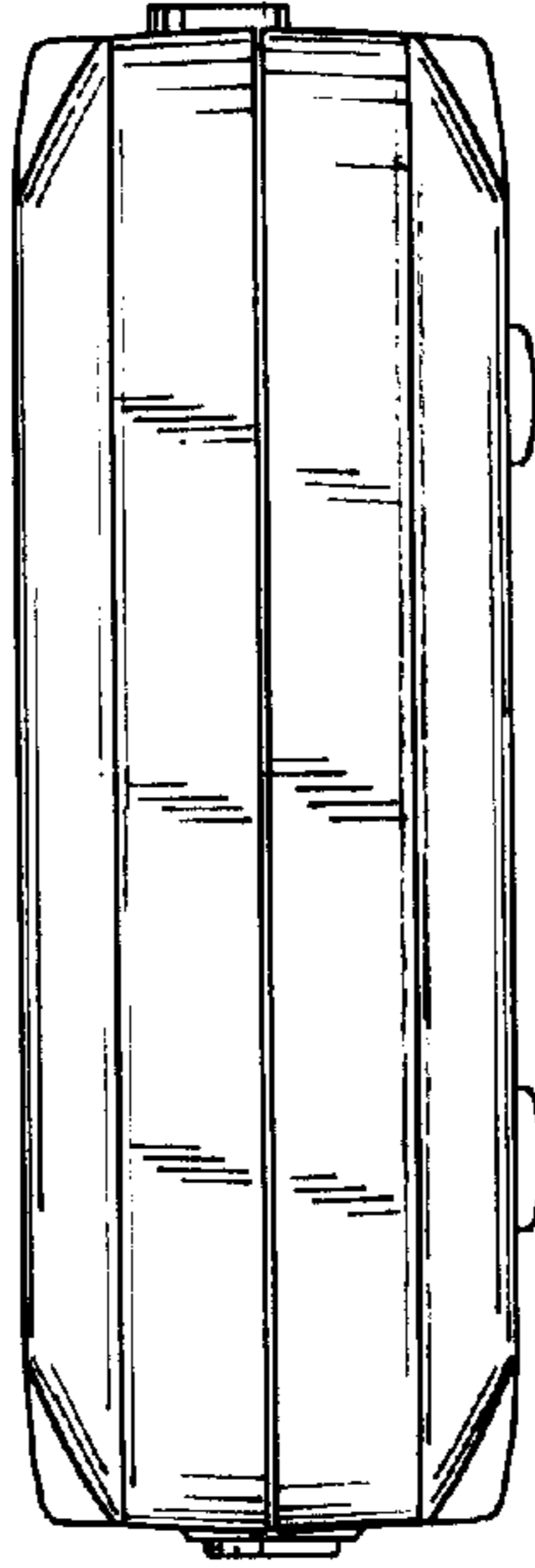


FIG. 5

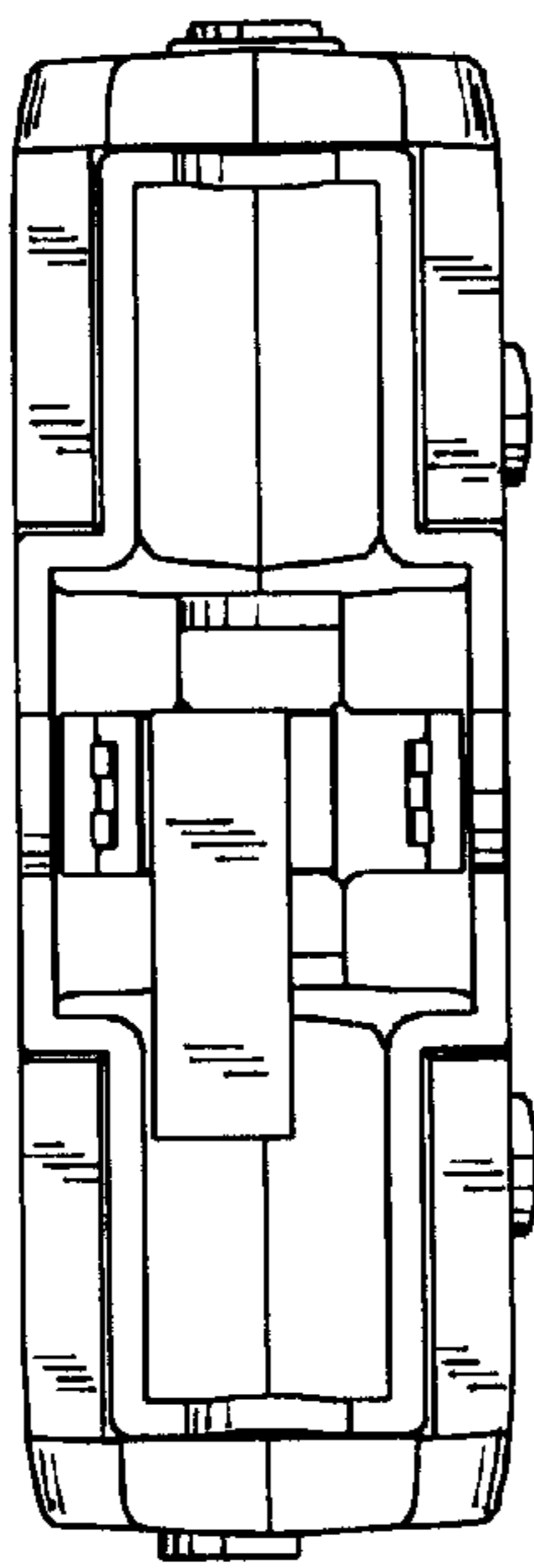


FIG. 4

FIG.6

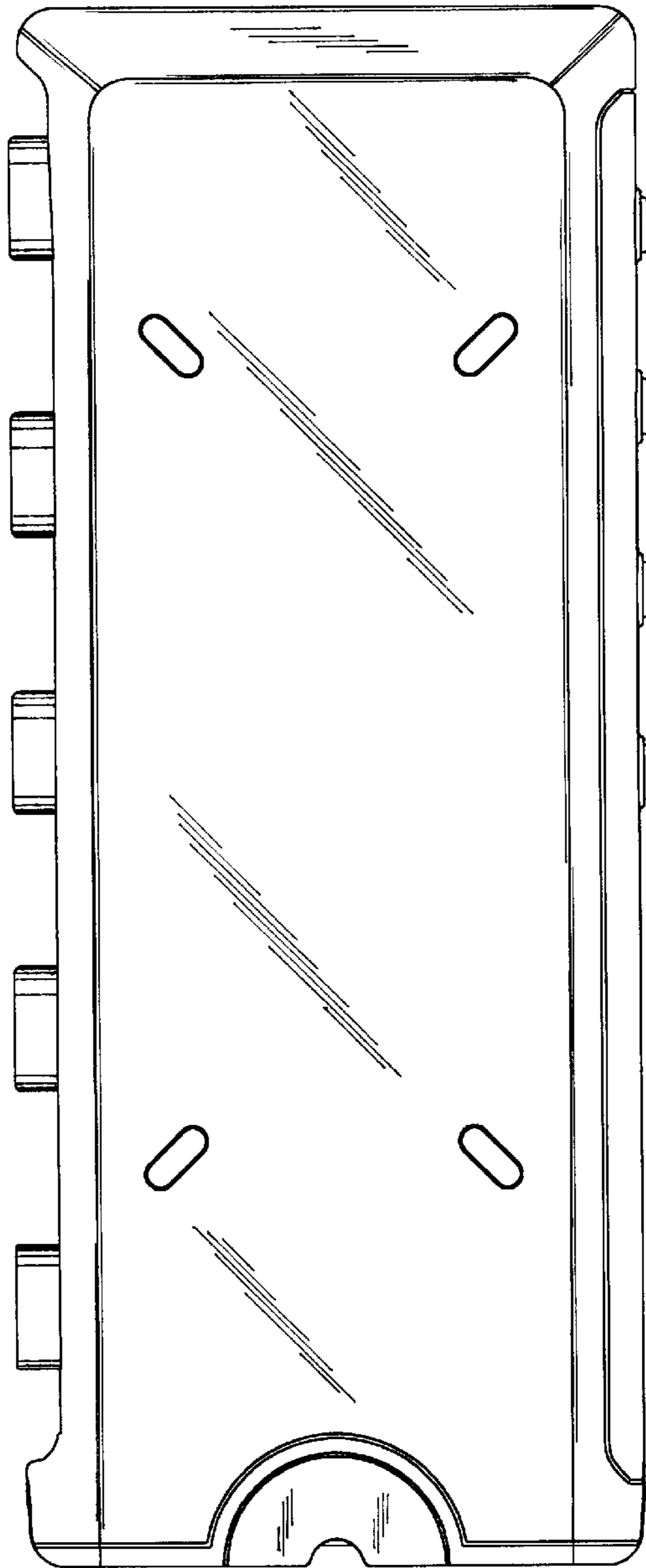
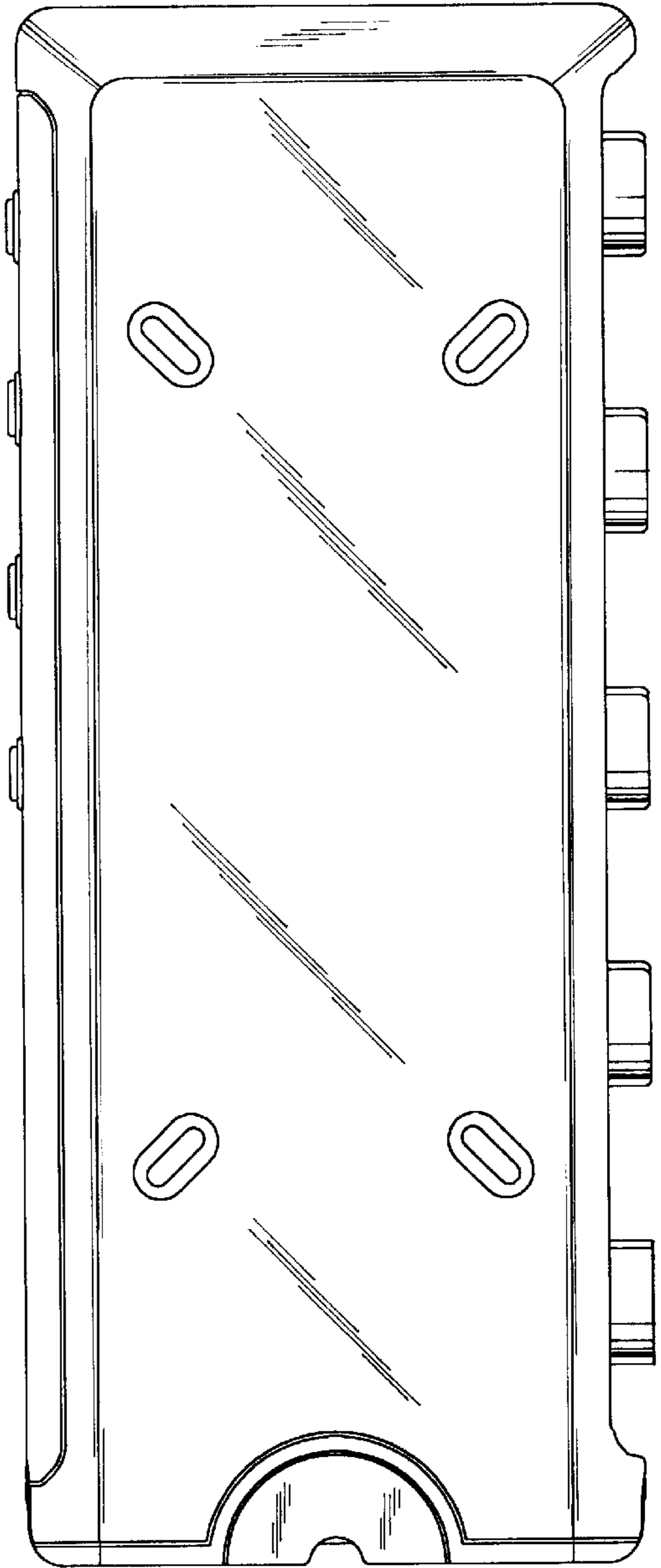


FIG.7



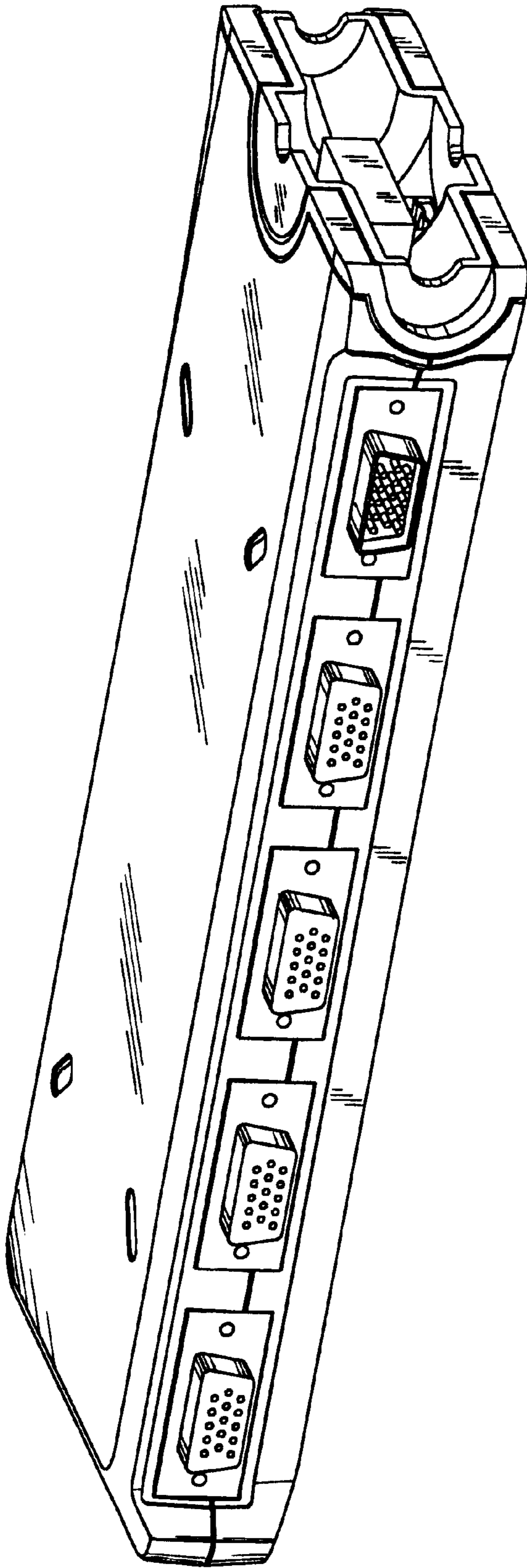


FIG. 8

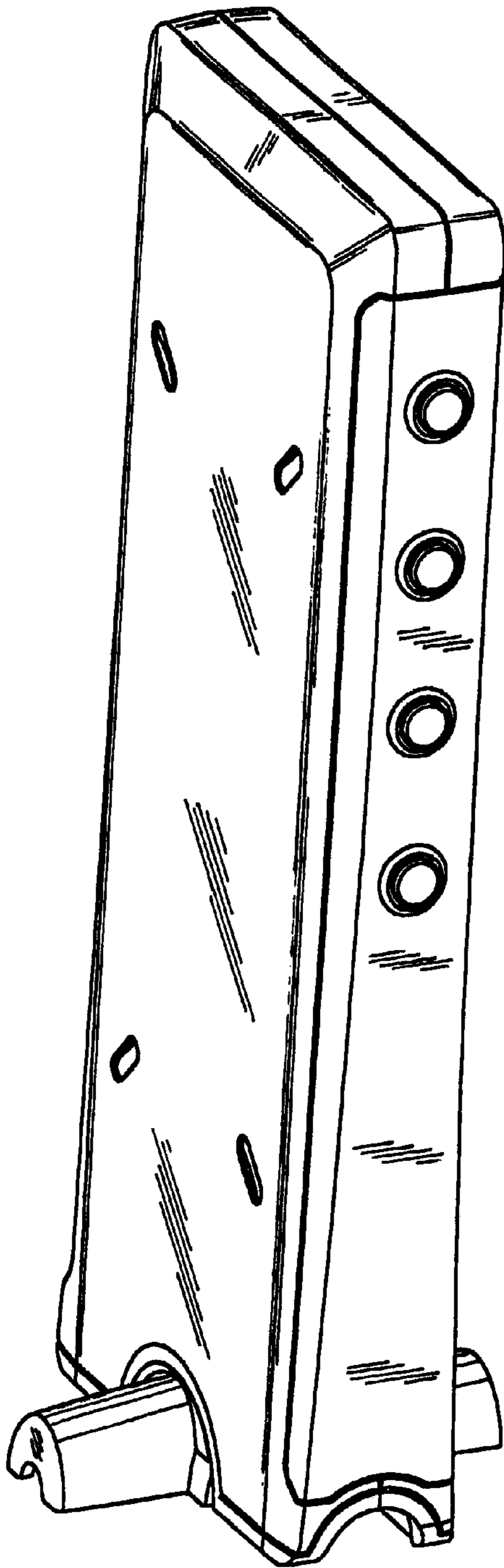


FIG. 9