



US00D483016S

(12) **United States Design Patent**  
**Ma et al.**

(10) **Patent No.:** **US D483,016 S**

(45) **Date of Patent:** **\*\* Dec. 2, 2003**

(54) **COMMUNICATION DEVICE ACCESSORY**

(75) Inventors: **Jeong Ma**, Buffalo Grove, IL (US);  
**Burton Lowry**, Antioch, IL (US);  
**William Phelps, III**, Lawrenceville, GA (US)

(73) Assignee: **Motorola, Inc.**, Schaumburg, IL (US)

(\*\*) Term: **14 Years**

(21) Appl. No.: **29/171,049**

(22) Filed: **Nov. 15, 2002**

(51) **LOC (7) Cl.** ..... **13-02**

(52) **U.S. Cl.** ..... **D13/108**

(58) **Field of Search** ..... D13/107, 108;  
D14/253; 320/107-115

(56) **References Cited**

**U.S. PATENT DOCUMENTS**

D323,504 S	*	1/1992	Langton	.....	D14/253 X
5,762,512 A	*	6/1998	Trant et al.	.....	320/114 X
D409,170 S	*	5/1999	Ota et al.	.....	D13/107 X
D420,974 S	*	2/2000	Minagawa	.....	D13/108
D442,141 S	*	5/2001	Ikenaga	.....	D13/107
D445,087 S	*	7/2001	Skoger et al.	.....	D13/108

6,429,625 B1	*	8/2002	LeFevre et al.	.....	320/155
6,483,698 B1	*	11/2002	Loh	.....	320/113 X
D468,305 S	*	1/2003	Ma et al.	.....	D14/253
D474,737 S	*	5/2003	Yoshida	.....	D13/108
D475,101 S	*	5/2003	Kataoka	.....	D13/108

\* cited by examiner

*Primary Examiner*—Joel Sincavage

(74) *Attorney, Agent, or Firm*—Randall S. Vaas

(57) **CLAIM**

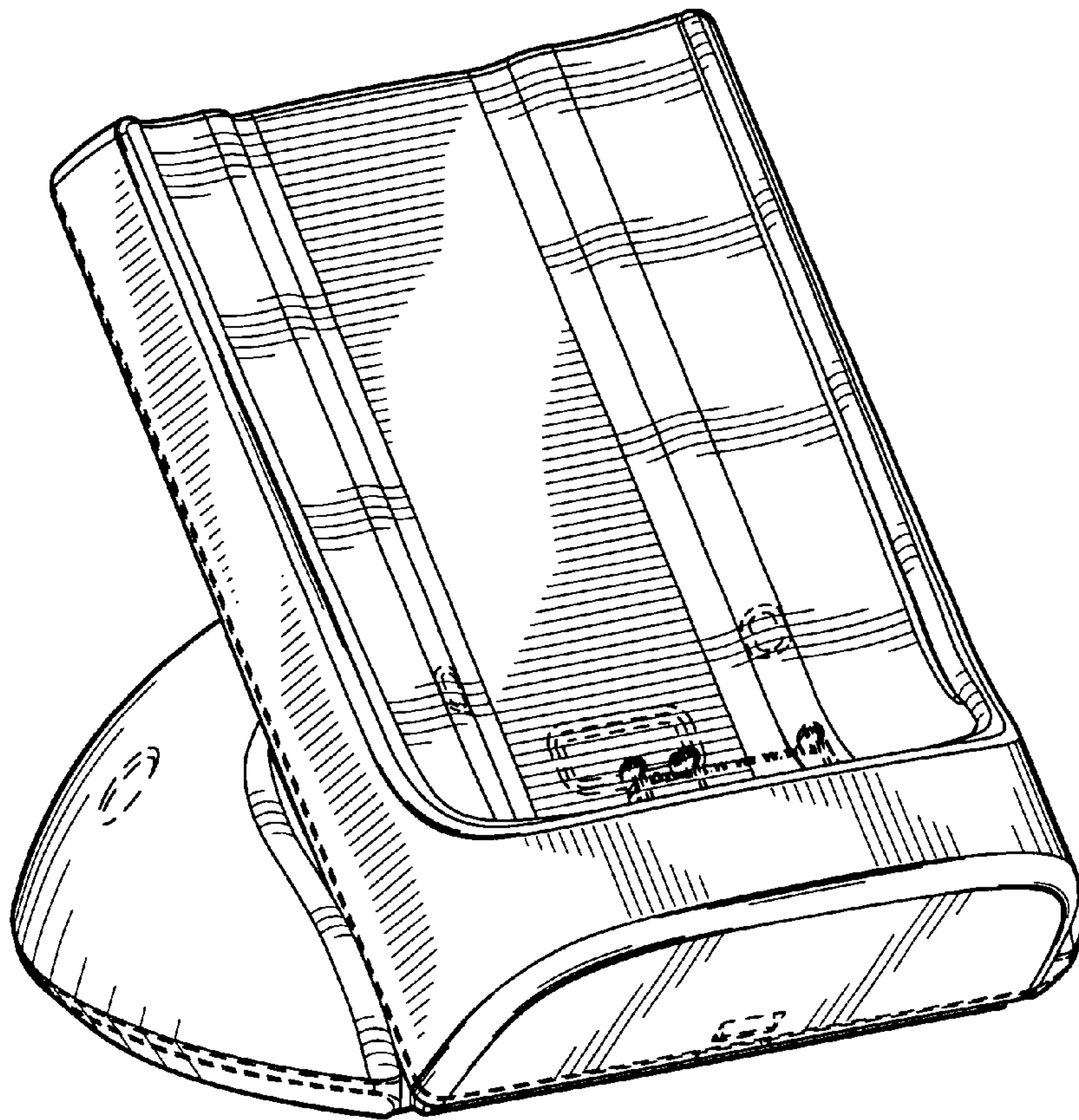
The ornamental design for a communication device accessory, as shown and described.

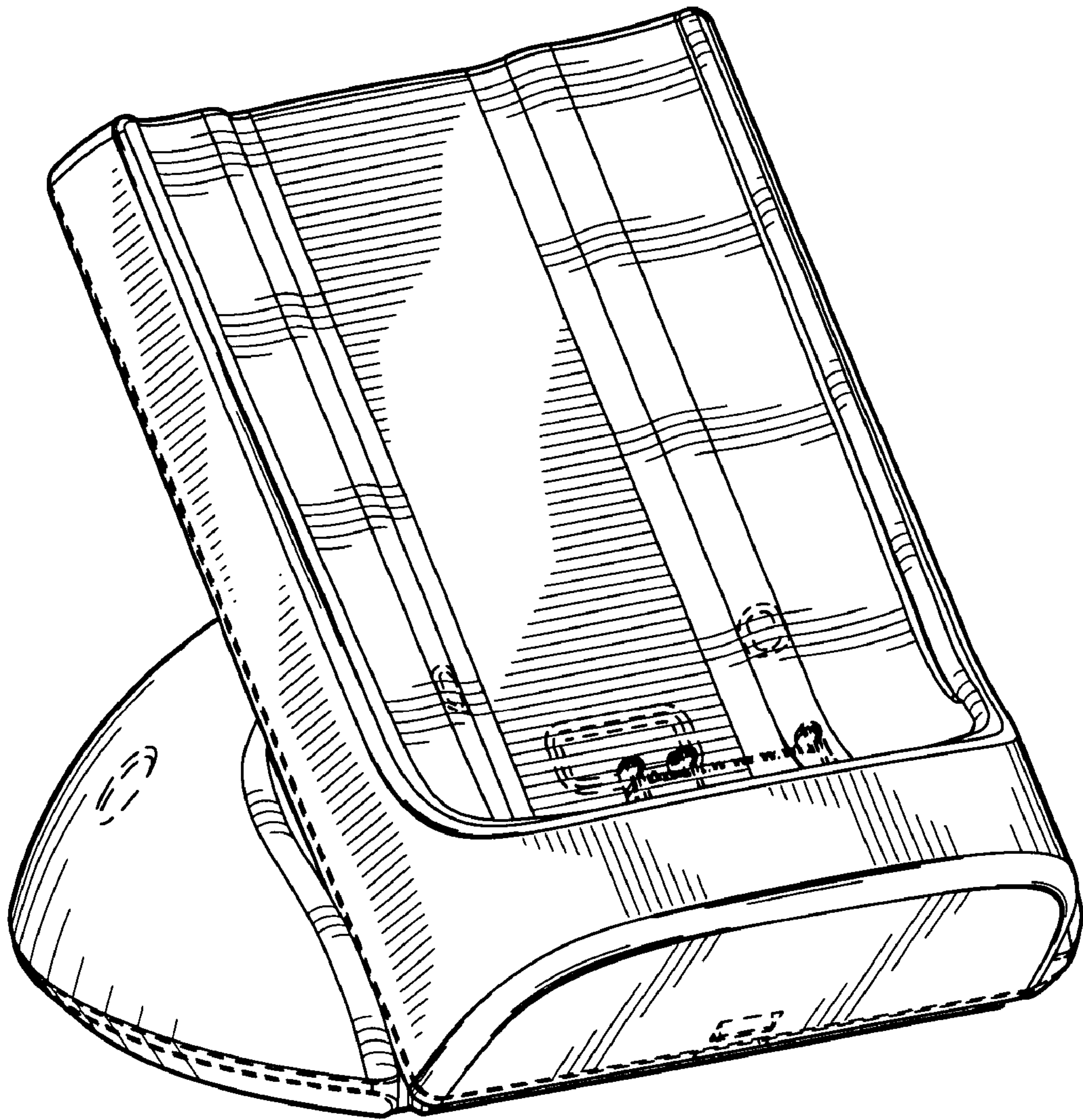
**DESCRIPTION**

FIG. 1 is a front, side and bottom perspective view of an ornamental design for a communication device accessory. FIG. 2 is a front elevation view thereof. FIG. 3 is a bottom plan view thereof. FIG. 4 is a first side elevation view thereof. FIG. 5 is a second side elevation view thereof. FIG. 6 is a top plan view thereof; and, FIG. 7 is a rear elevation view thereof.

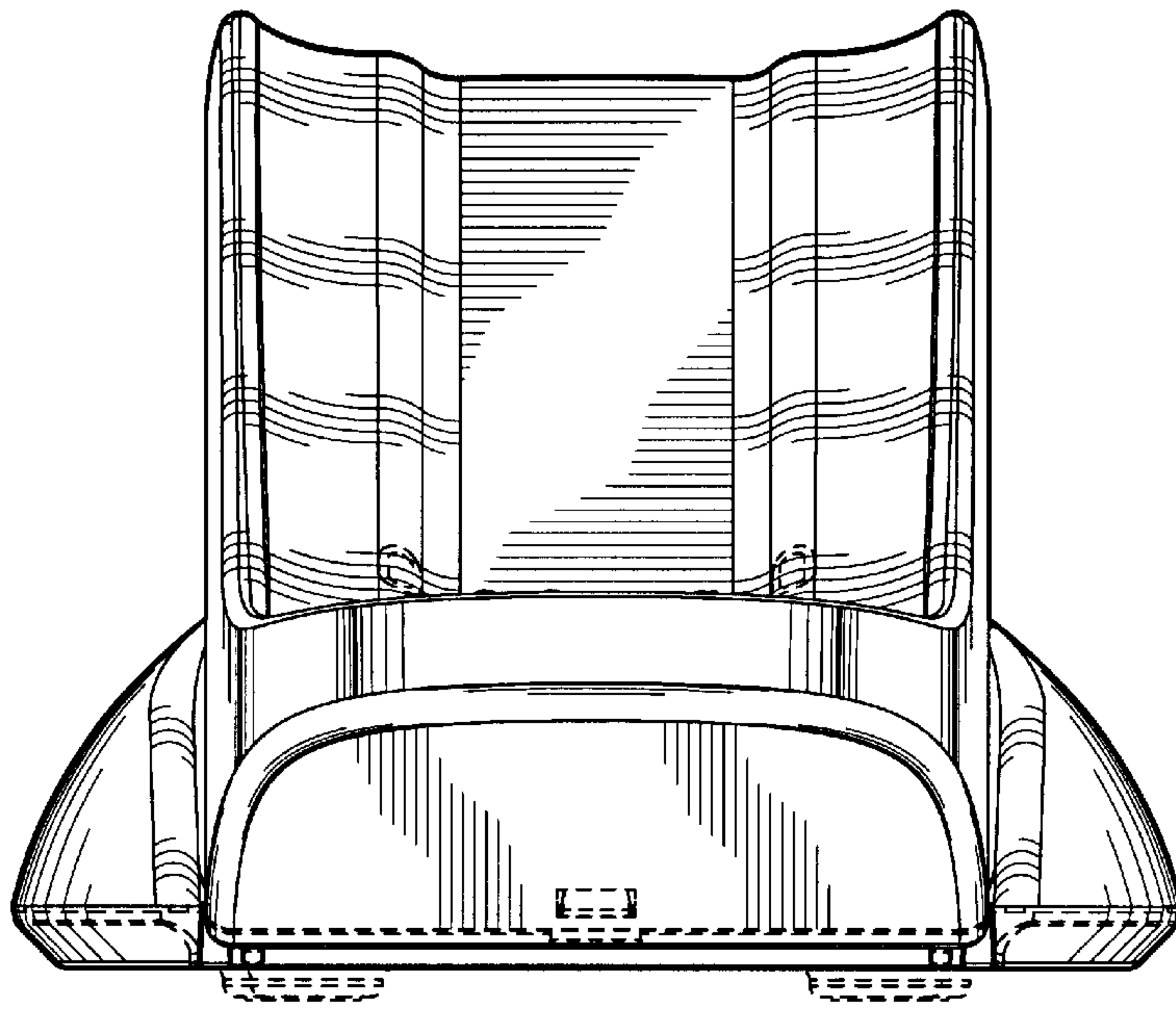
The broken line portions of the drawings form no part of the claimed design or a specified embodiment thereof.

**1 Claim, 4 Drawing Sheets**

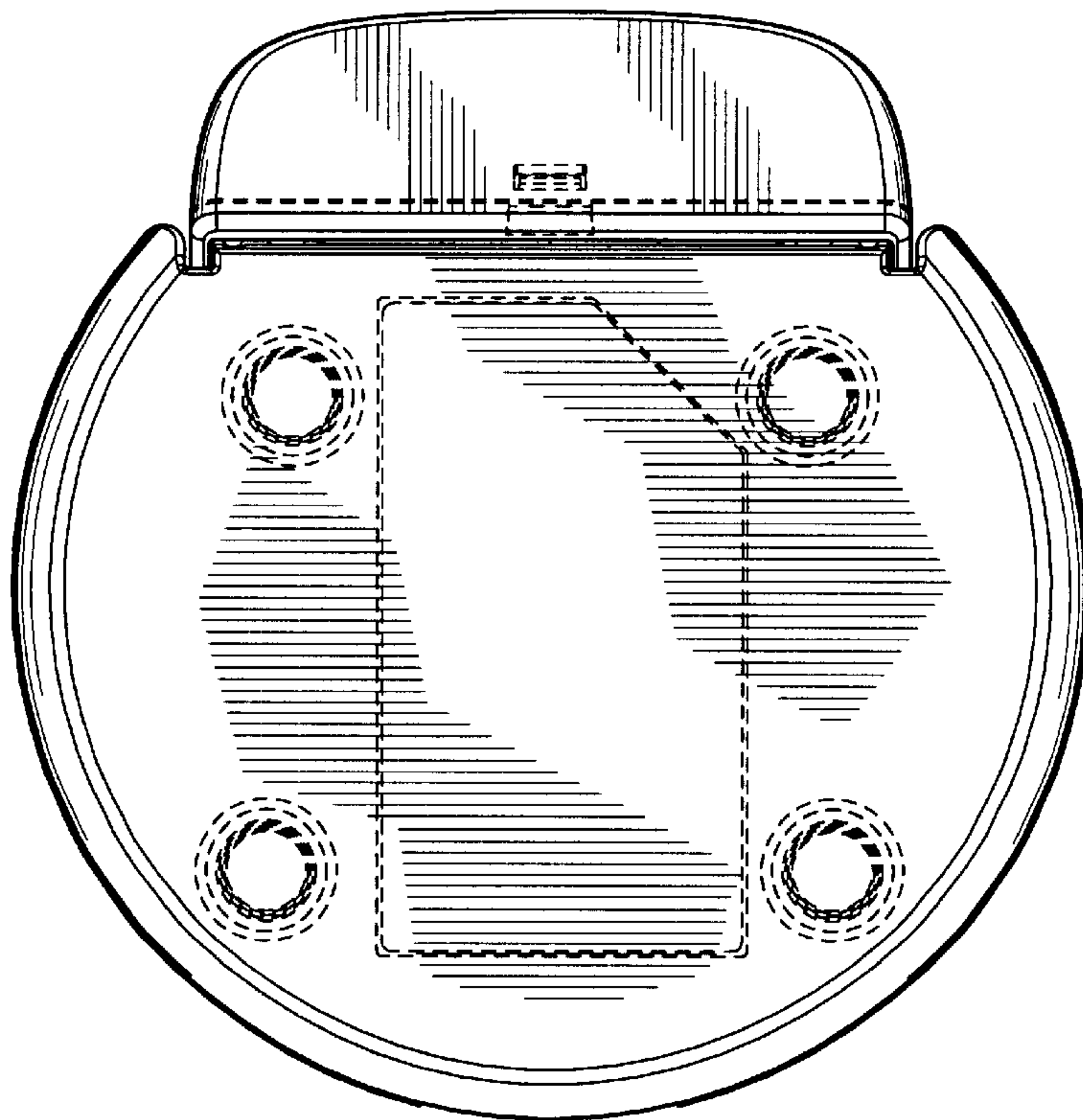




***FIG. 1***

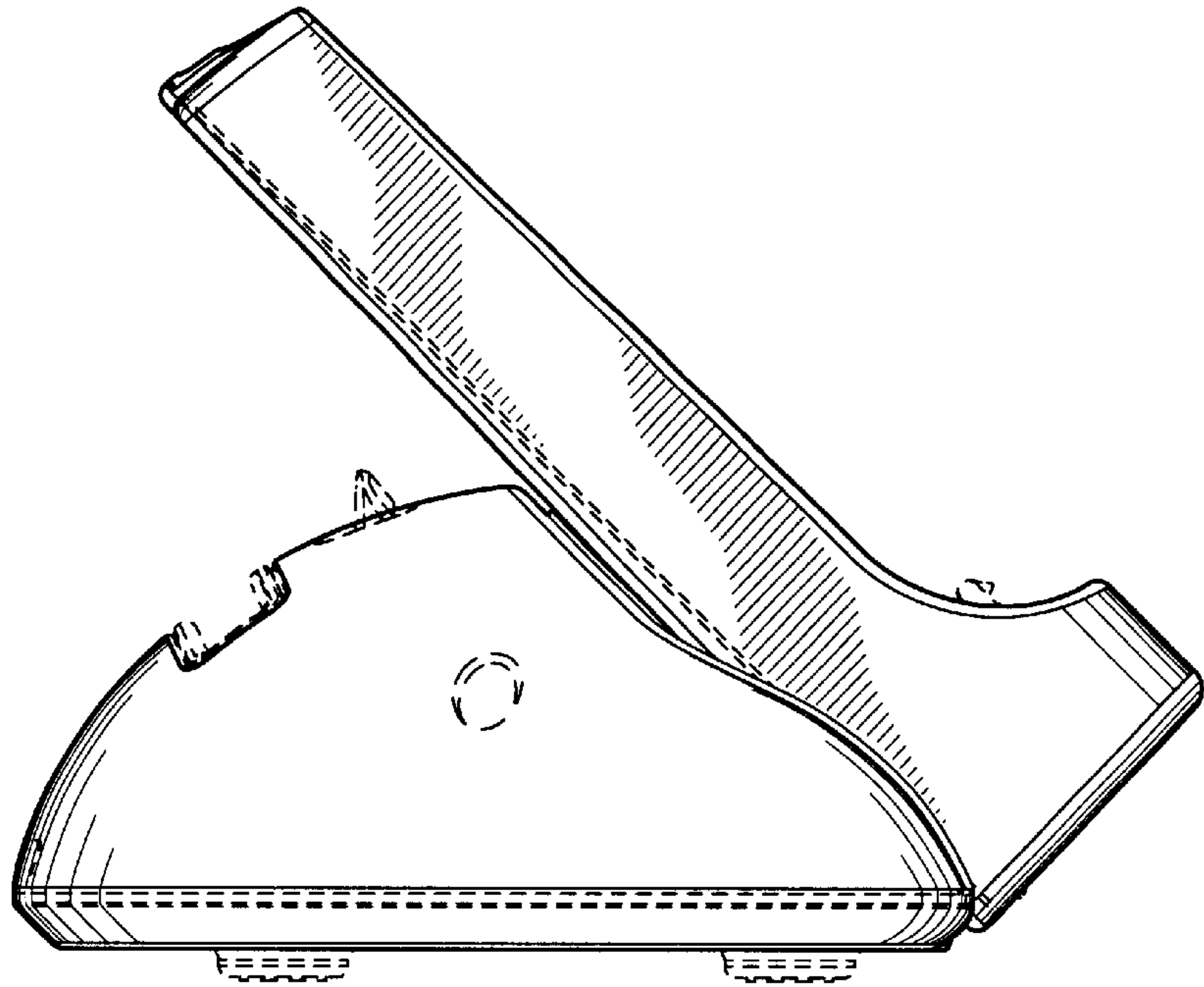


*FIG. 2*

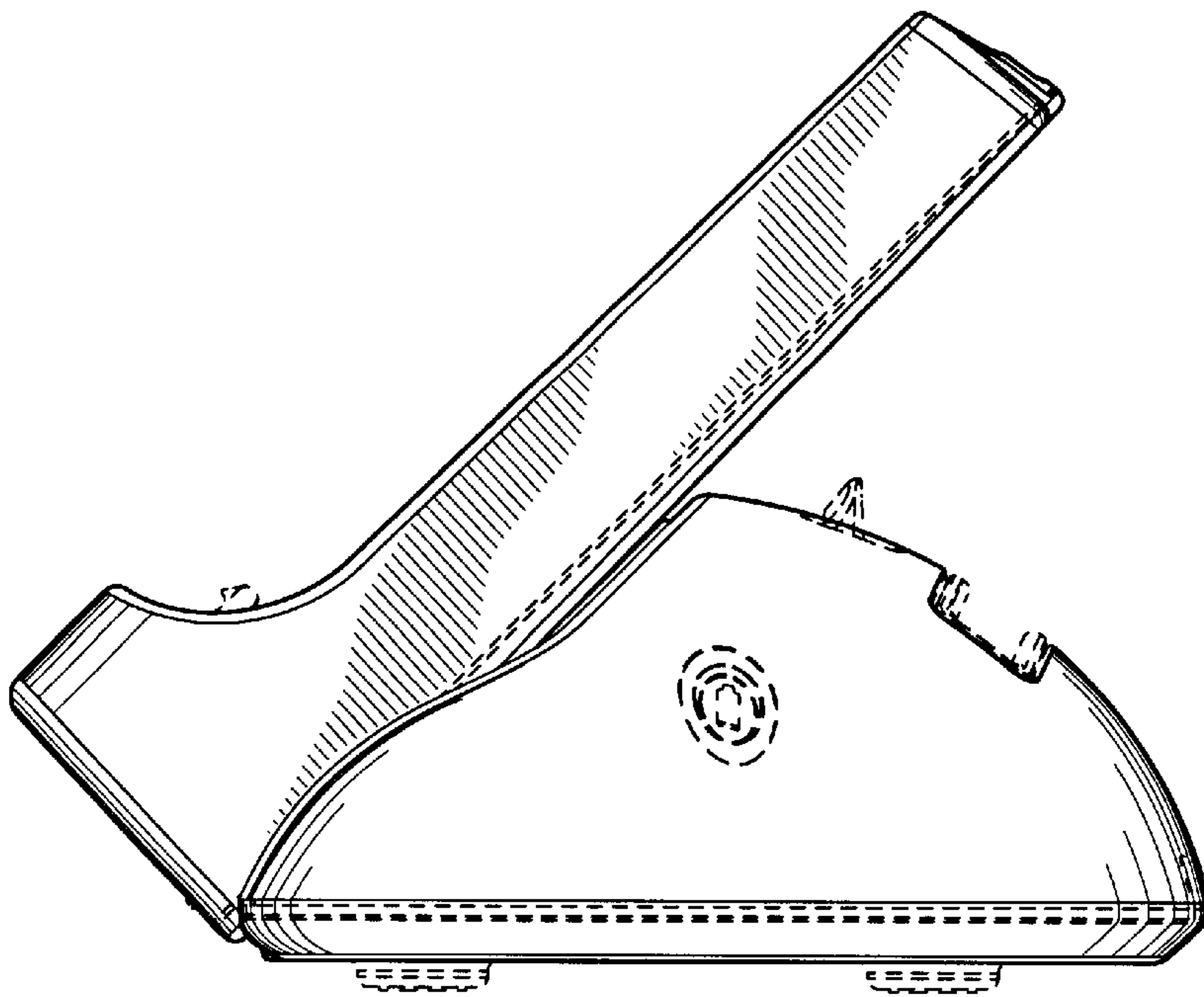


*FIG. 3*

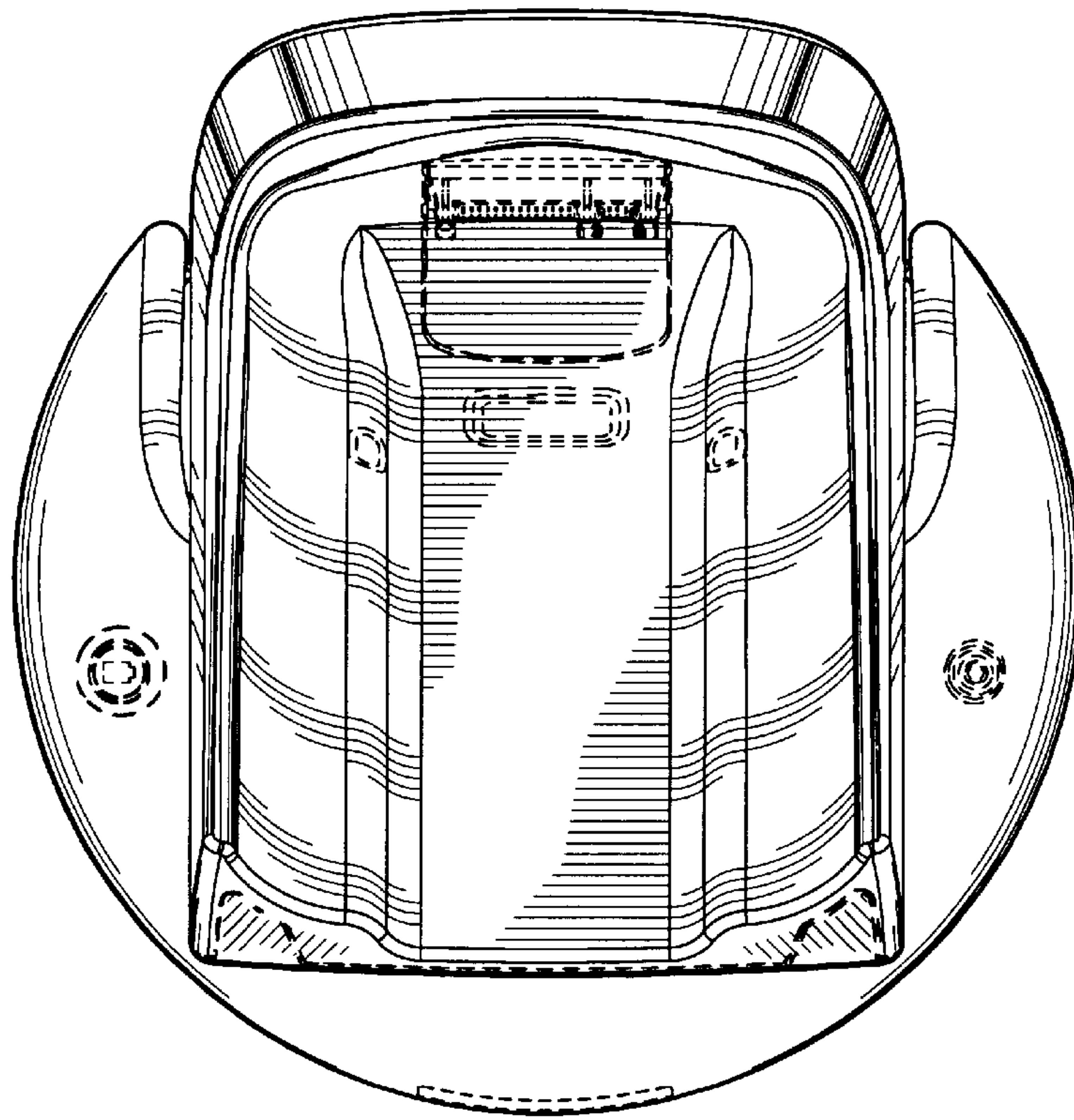




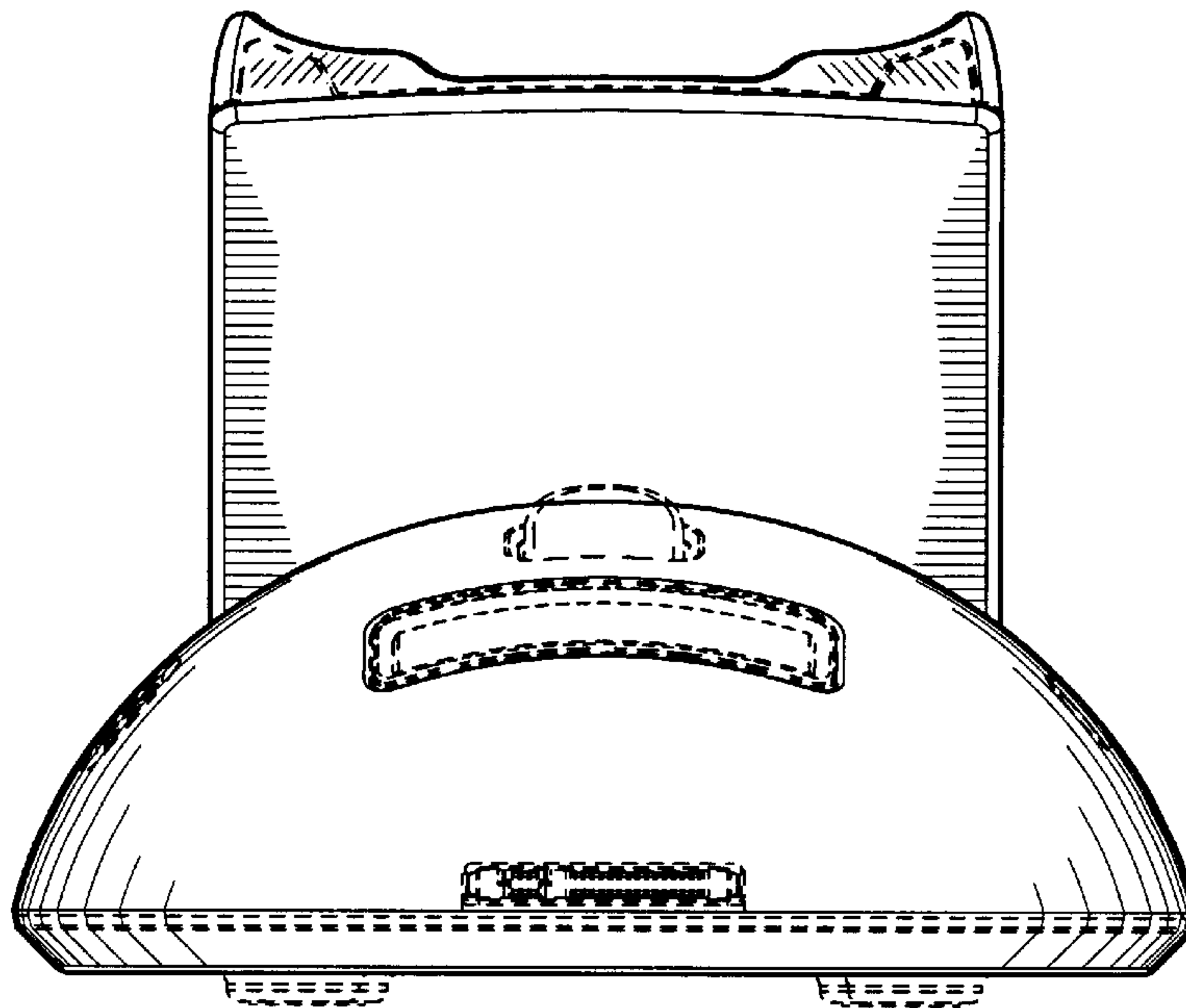
*FIG. 4*



*FIG. 5*



*FIG. 6*



*FIG. 7*