



US00D483013S

(12) **United States Design Patent**
Tsukamoto et al.

(10) **Patent No.:** **US D483,013 S**

(45) **Date of Patent:** **** Dec. 2, 2003**

(54) **BATTERY**

(75) **Inventors:** **Hisashi Tsukamoto**, Saugus, CA (US);
David M. Skinlo, Valencia, CA (US);
Joanna Dodd, Los Angeles, CA (US);
Joseph Wong, Glendale, CA (US)

(73) **Assignee:** **Quallion LLC**, Sylmar, CA (US)

(**) **Term:** **14 Years**

(21) **Appl. No.:** **29/183,039**

(22) **Filed:** **Jun. 3, 2003**

Related U.S. Application Data

(62) Division of application No. 29/161,187, filed on May 23, 2002.

(51) **LOC (7) Cl.** **13-02**

(52) **U.S. Cl.** **D13/103**

(58) **Field of Search** D13/103; 429/96-100,
429/159, 163, 176

(56) **References Cited**

U.S. PATENT DOCUMENTS

D118,597 S 1/1940 Knauss

D130,616 S	12/1941	Sears
3,488,220 A	1/1970	Lyall et al.
4,420,545 A	12/1983	Meyer et al.
4,692,846 A	9/1987	Johnson
5,227,267 A	7/1993	Goebel et al.
5,814,082 A	9/1998	Fayram et al.
D431,228 S	9/2000	Donaldson et al.
6,139,987 A	10/2000	Koo et al.
6,143,440 A	11/2000	Volz et al.
D446,767 S	8/2001	Black, Jr.
2003/0017390 A1	1/2003	Probst et al.

Primary Examiner—Joel Sincavage

(74) *Attorney, Agent, or Firm*—M. Elizabeth Bush

(57) **CLAIM**

The ornamental design for a battery, as shown.

DESCRIPTION

FIG. 1 is a perspective view of the battery showing the new design.

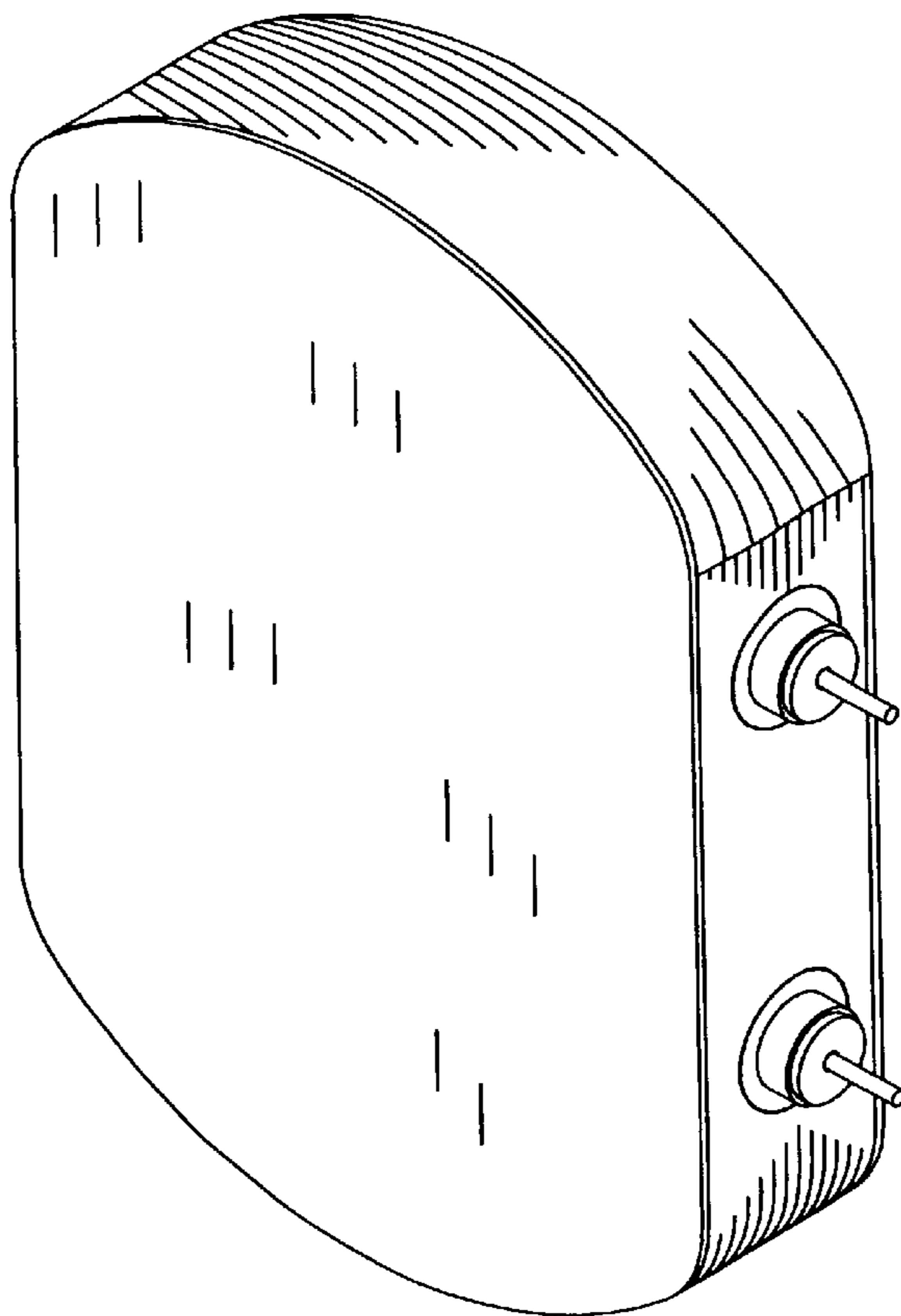
FIG. 2 is a front view of the battery.

FIG. 3 is a top view of the battery.

FIG. 4 is a side view of the battery; and,

FIG. 5 is a back view of the battery.

1 Claim, 4 Drawing Sheets



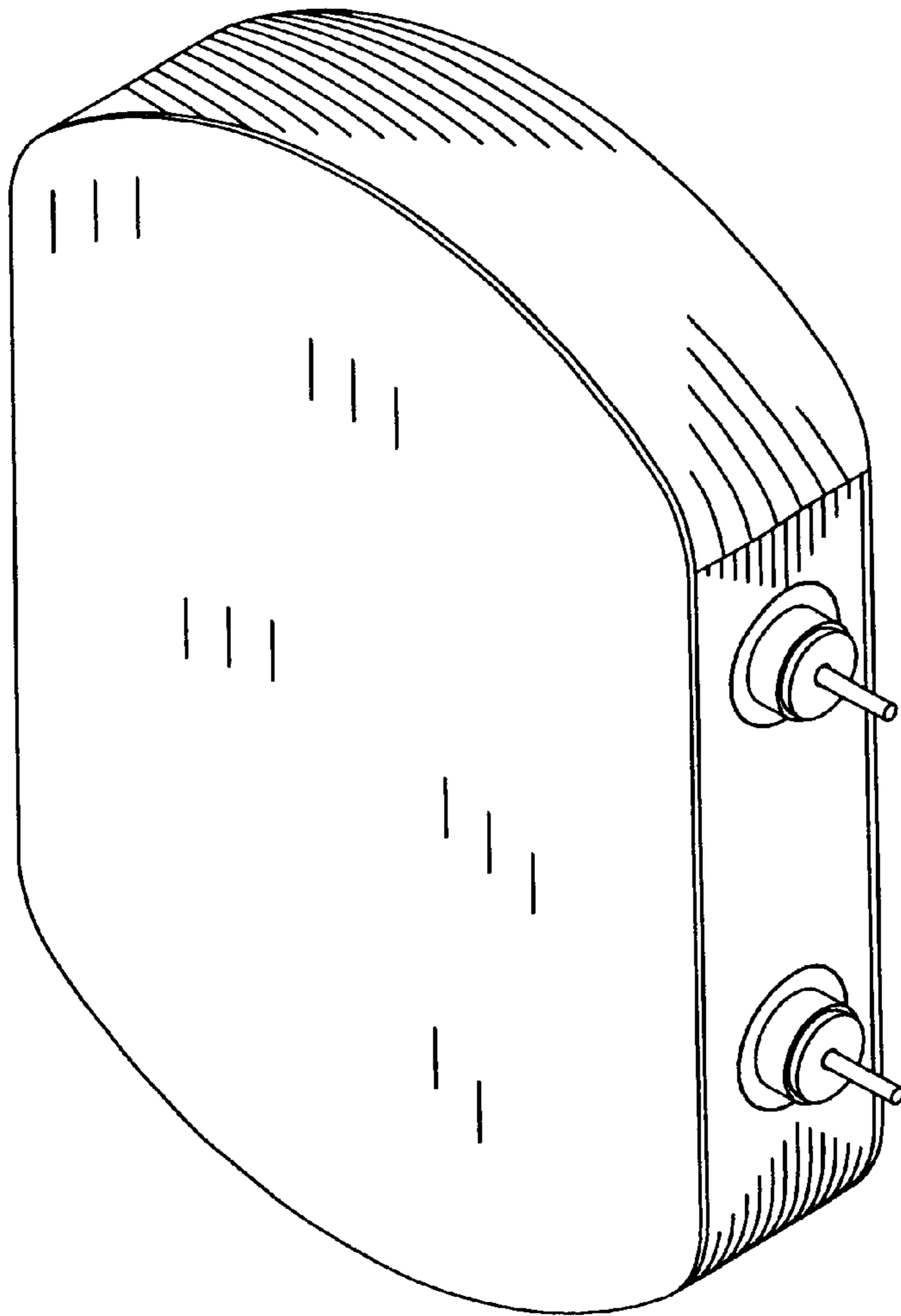


FIG. 1

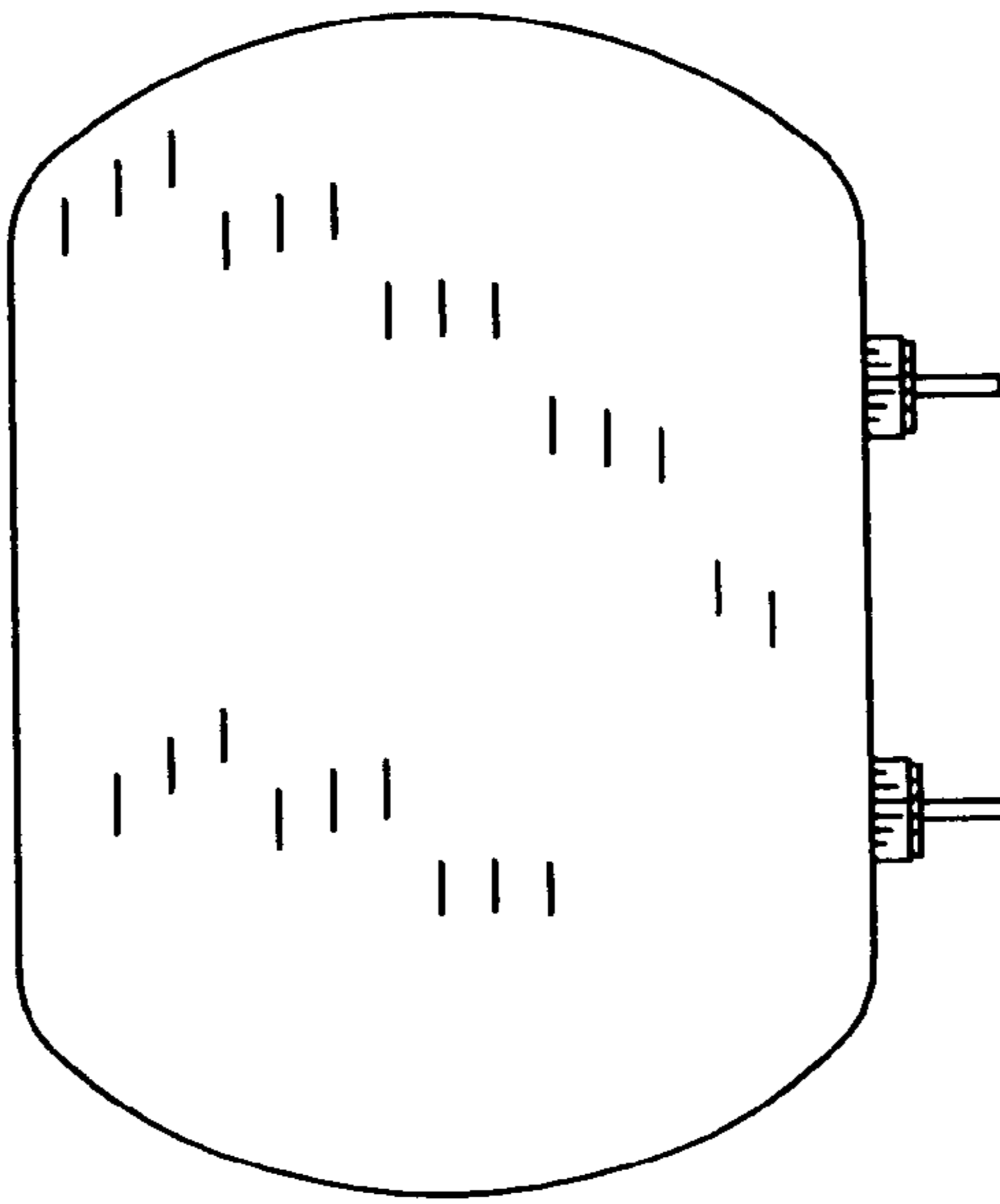


FIG. 2



FIG. 3

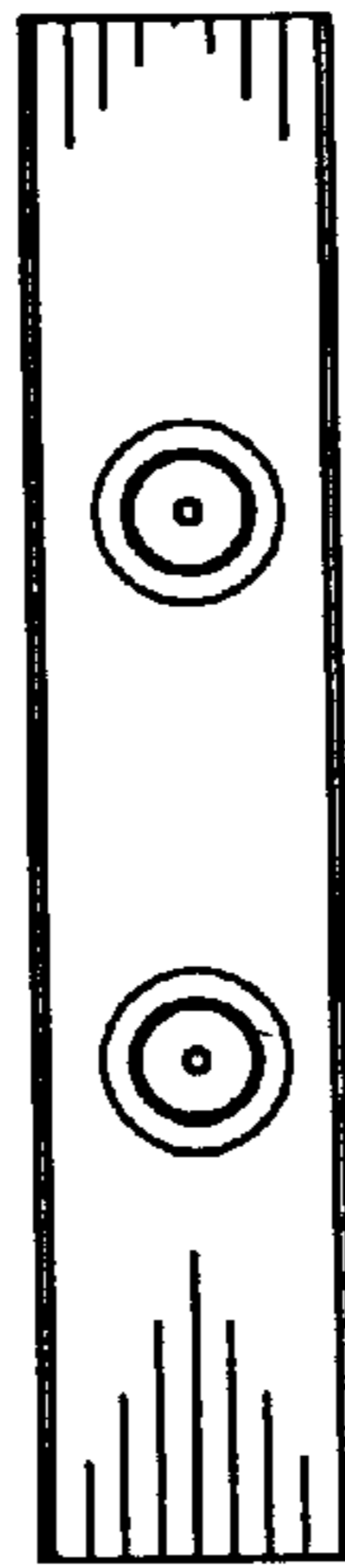


FIG. 4

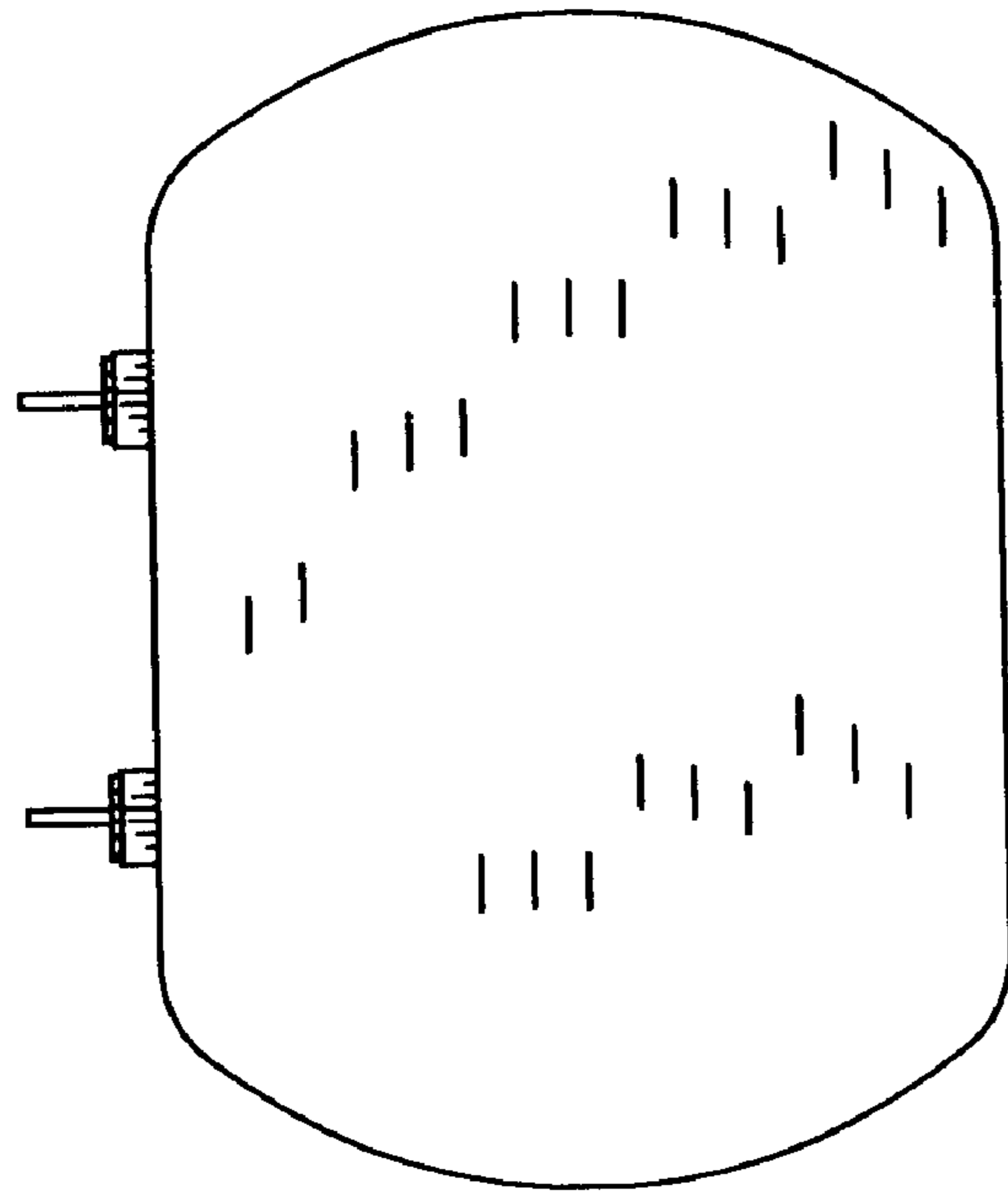


FIG. 5