



US00D483012S

(12) **United States Design Patent**
Hsu

(10) **Patent No.:** **US D483,012 S**

(45) **Date of Patent:** **** Dec. 2, 2003**

(54) **BATTERY PACK**

(75) **Inventor:** **Hung-Ming Hsu, Taichung Hsien (TW)**

(73) **Assignee:** **Mobiletron Electronics Co., Ltd.,
Taichung Hsien (TW)**

(**) **Term:** **14 Years**

(21) **Appl. No.:** **29/176,090**

(22) **Filed:** **Feb. 19, 2003**

(51) **LOC (7) Cl. 13-02**

(52) **U.S. Cl. D13/103**

(58) **Field of Search D13/103; 429/96-100,
429/159, 163, 176**

(56) **References Cited**

U.S. PATENT DOCUMENTS

D304,026 S	*	10/1989	Goodner et al.	D13/103
D413,564 S	*	9/1999	Hershberger et al.	D13/103
D435,013 S	*	12/2000	Clowers et al.	D13/103
D436,917 S	*	1/2001	Hayakawa et al.	D13/103
6,346,793 B1	*	2/2002	Shibata et al.	429/97 X
D456,002 S	*	4/2002	Kato et al.	D13/103

6,537,694 B1	*	3/2003	Sugiura et al.	429/99 X
6,558,090 B2	*	5/2003	Lagaly et al.	409/182
D475,679 S	*	6/2003	Cooper et al.	D13/103
D477,811 S	*	7/2003	Niwa et al.	D13/103
2003/0039880 A1	*	2/2003	Turner et al.	429/97

* cited by examiner

Primary Examiner—Joel Sincavage

(74) *Attorney, Agent, or Firm*—Leong C. Lei

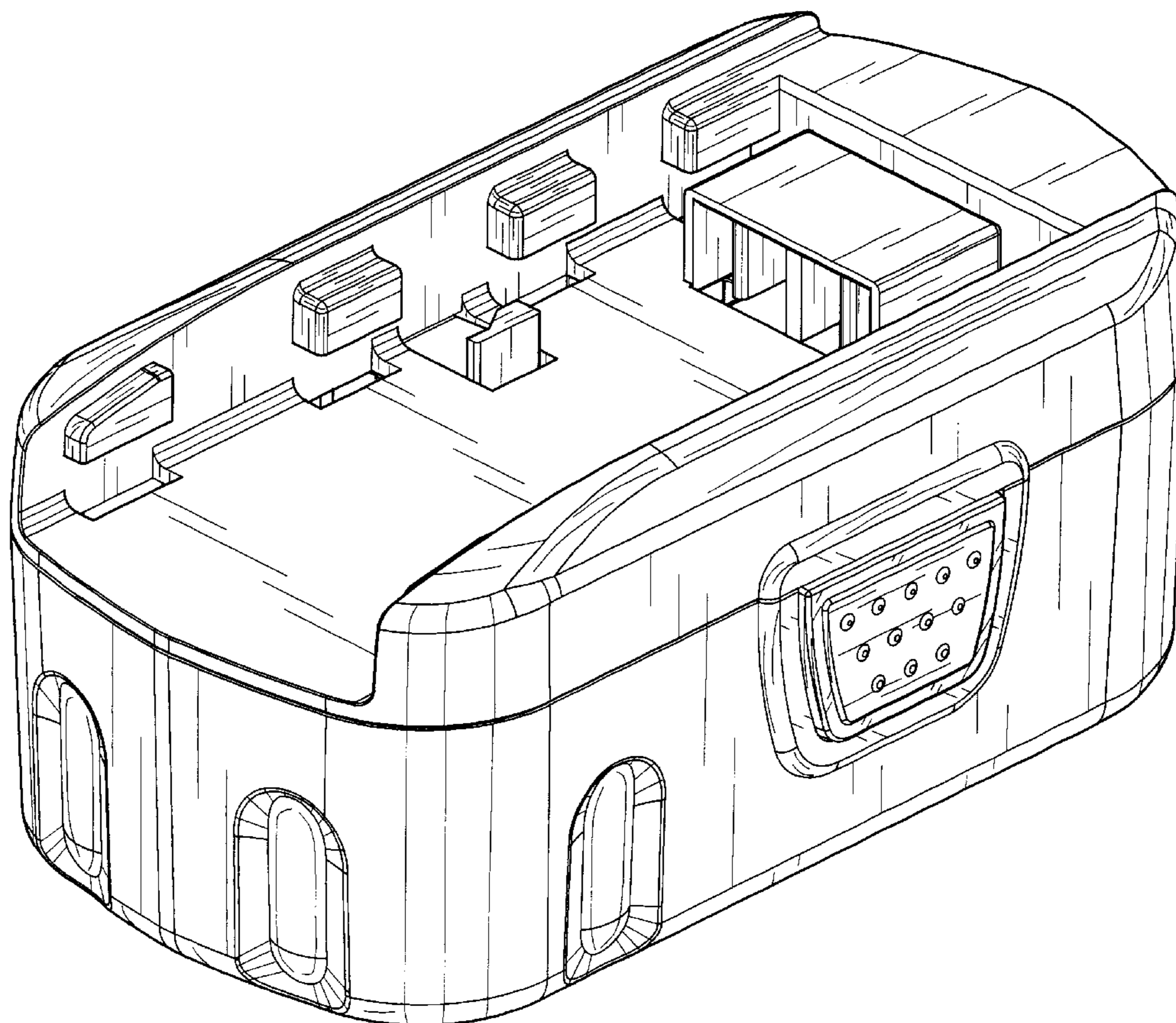
(57) **CLAIM**

The ornamental design for a battery pack, as shown and described.

DESCRIPTION

FIG. 1 is perspective view of a battery pack showing my new design;
 FIG. 2 is a front side elevation view thereof;
 FIG. 3 is a rear side elevation view thereof;
 FIG. 4 is a left side elevation view thereof;
 FIG. 5 is a right side elevation view thereof;
 FIG. 6 is a top plan view thereof; and,
 FIG. 7 is a bottom plan view thereof.

1 Claim, 7 Drawing Sheets



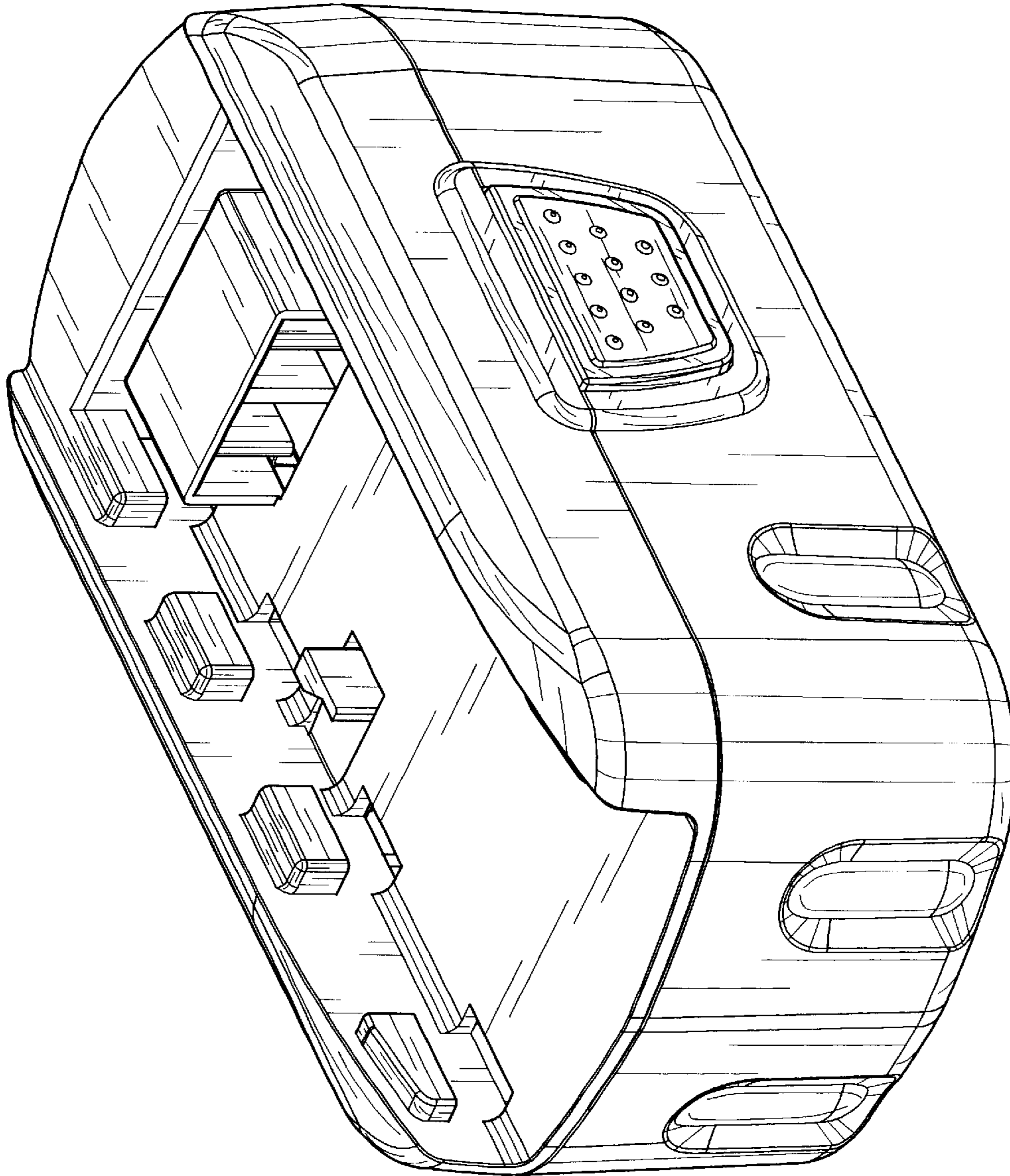


FIG. 1

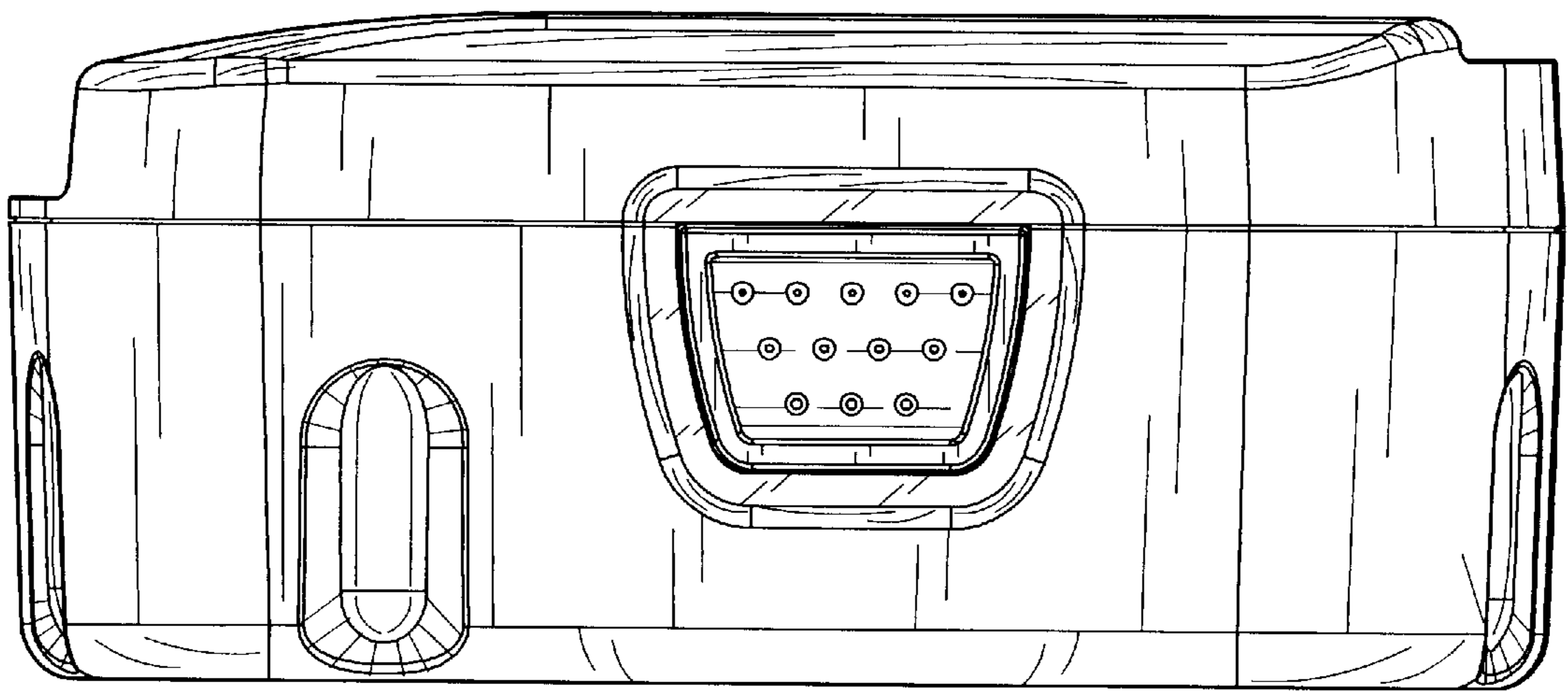


FIG. 2

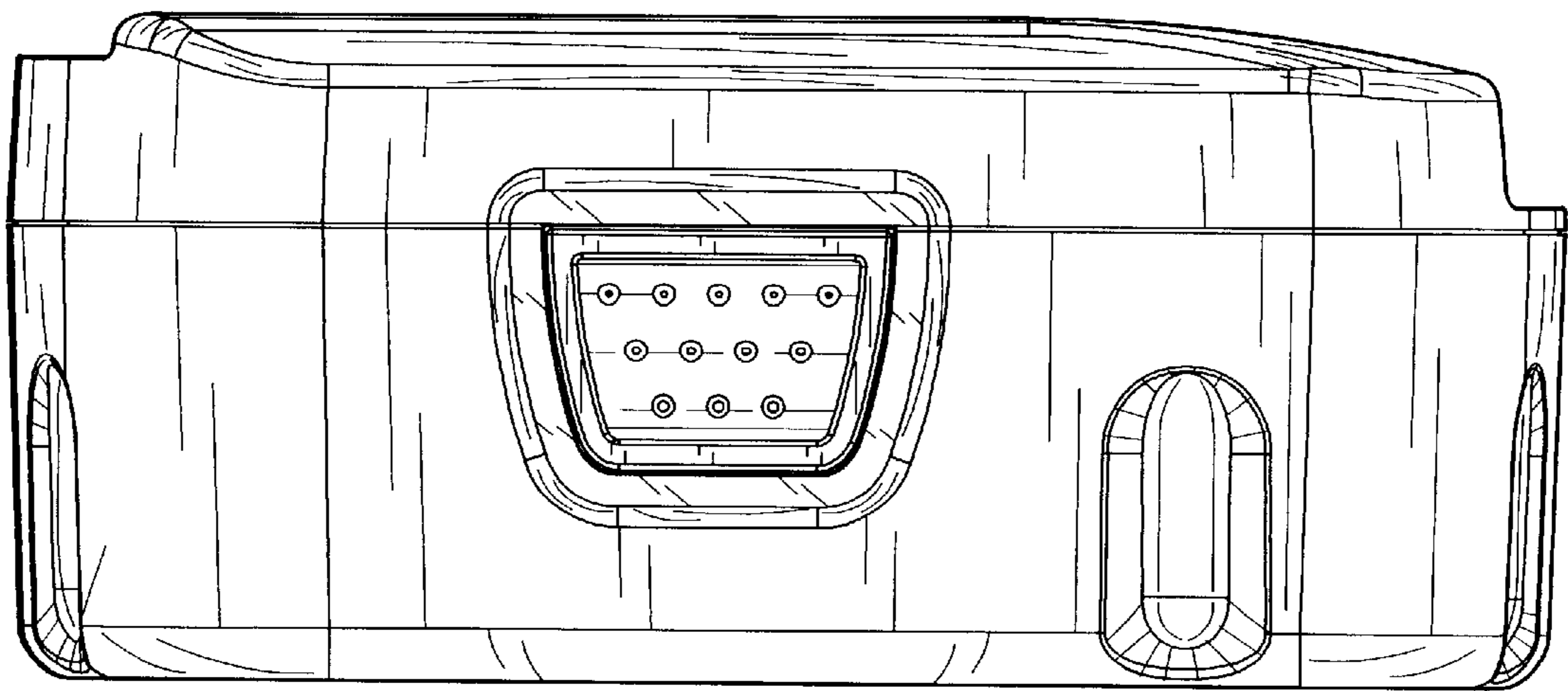


FIG. 3

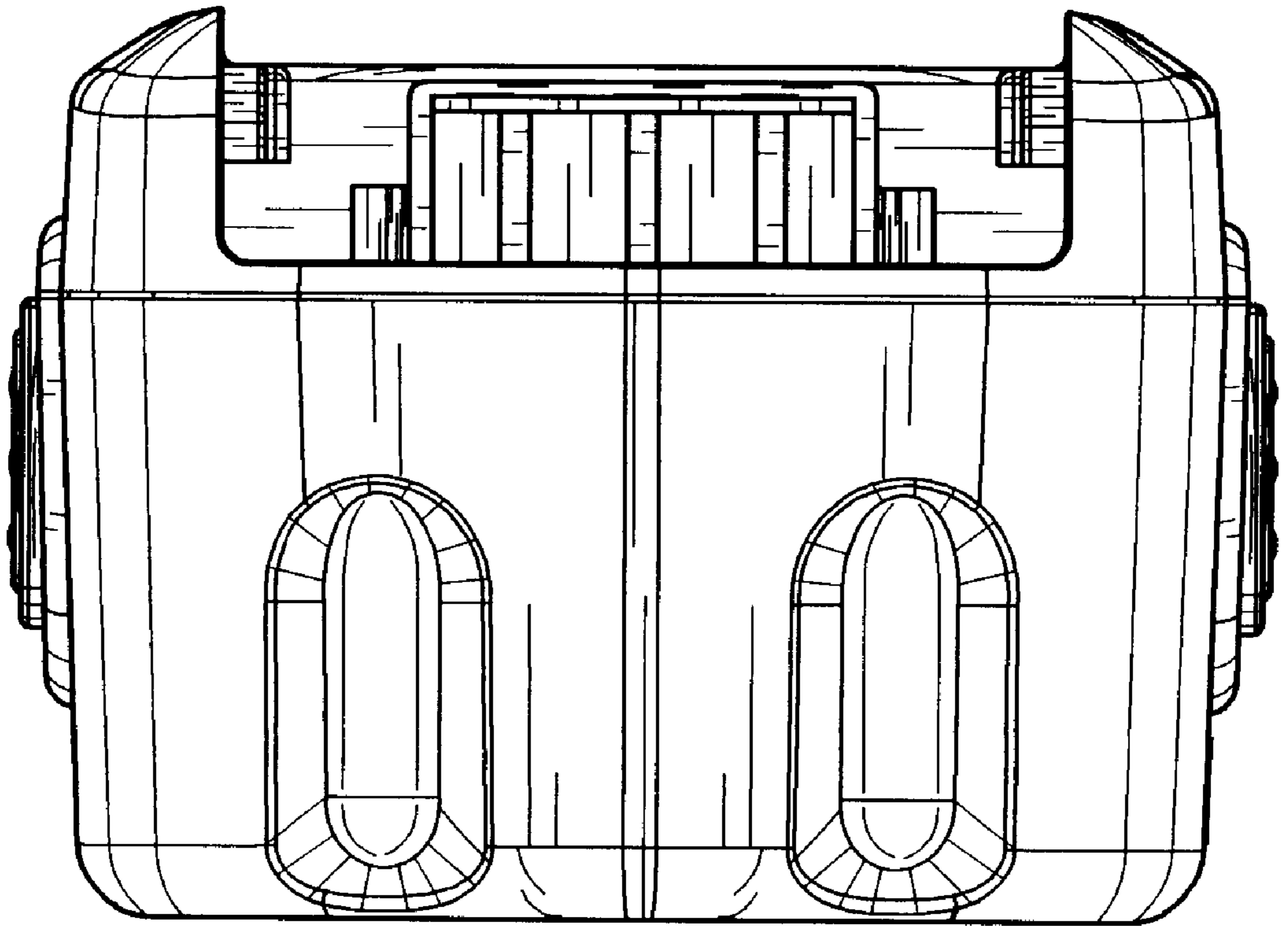


FIG. 4

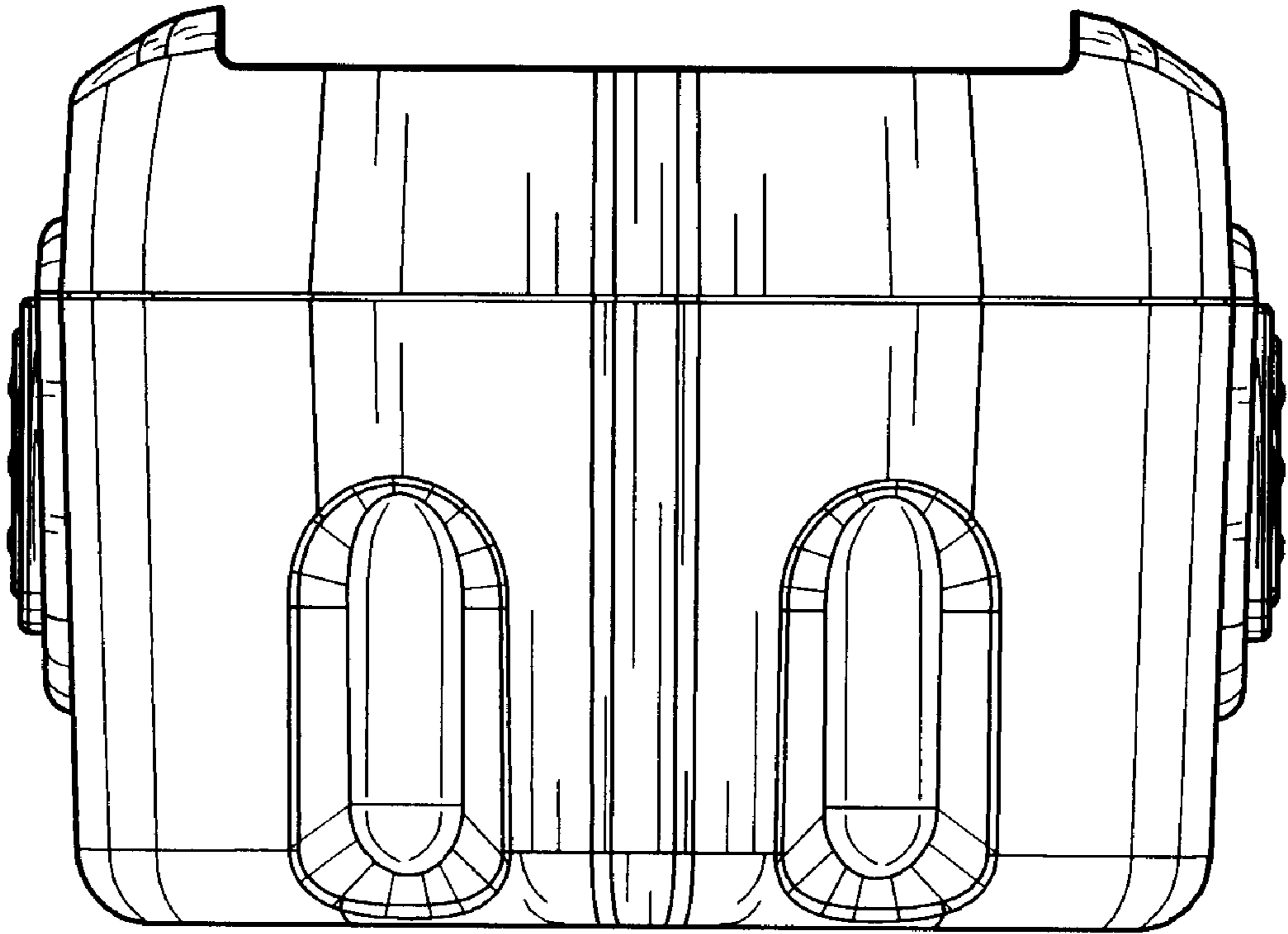


FIG. 5

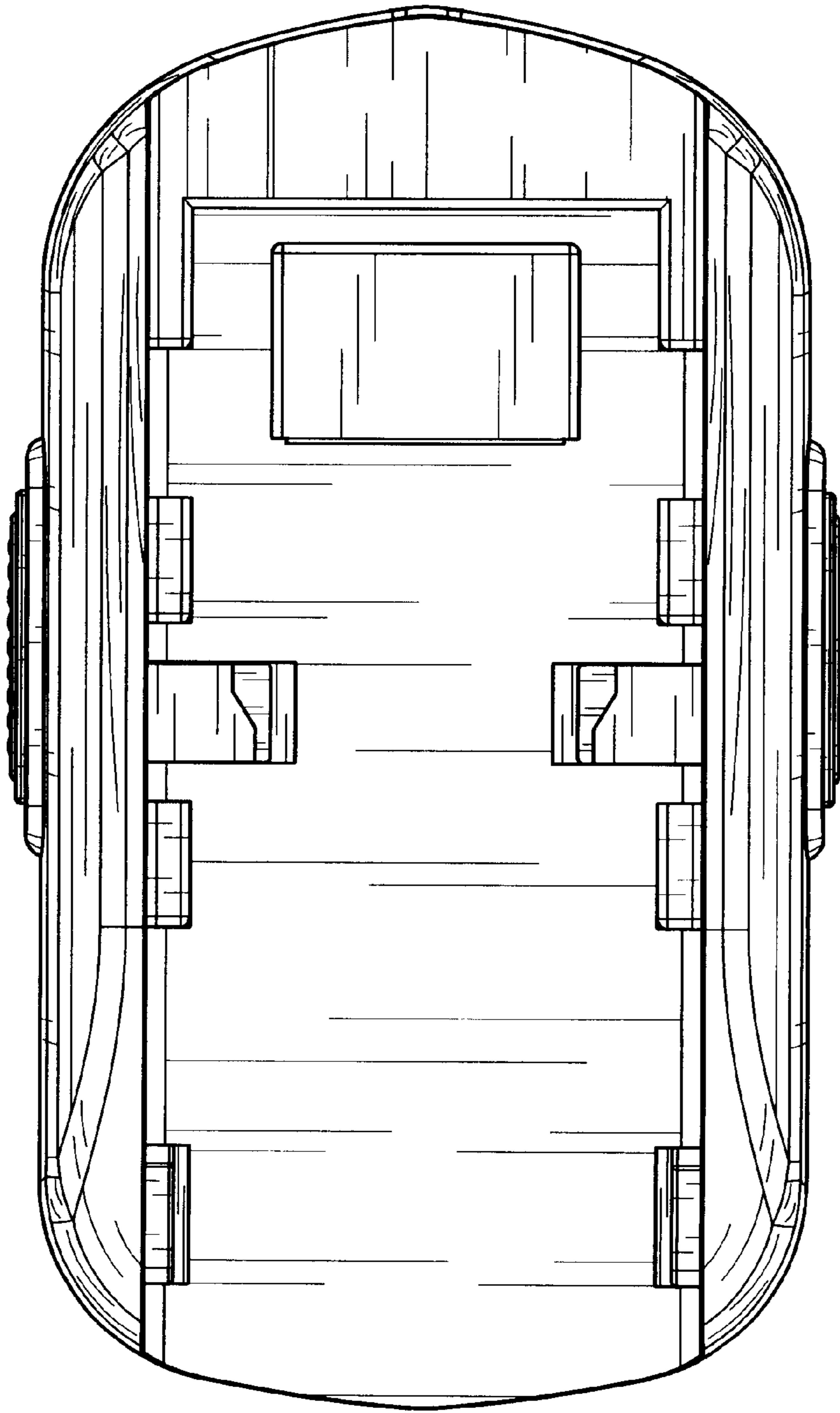


FIG. 6

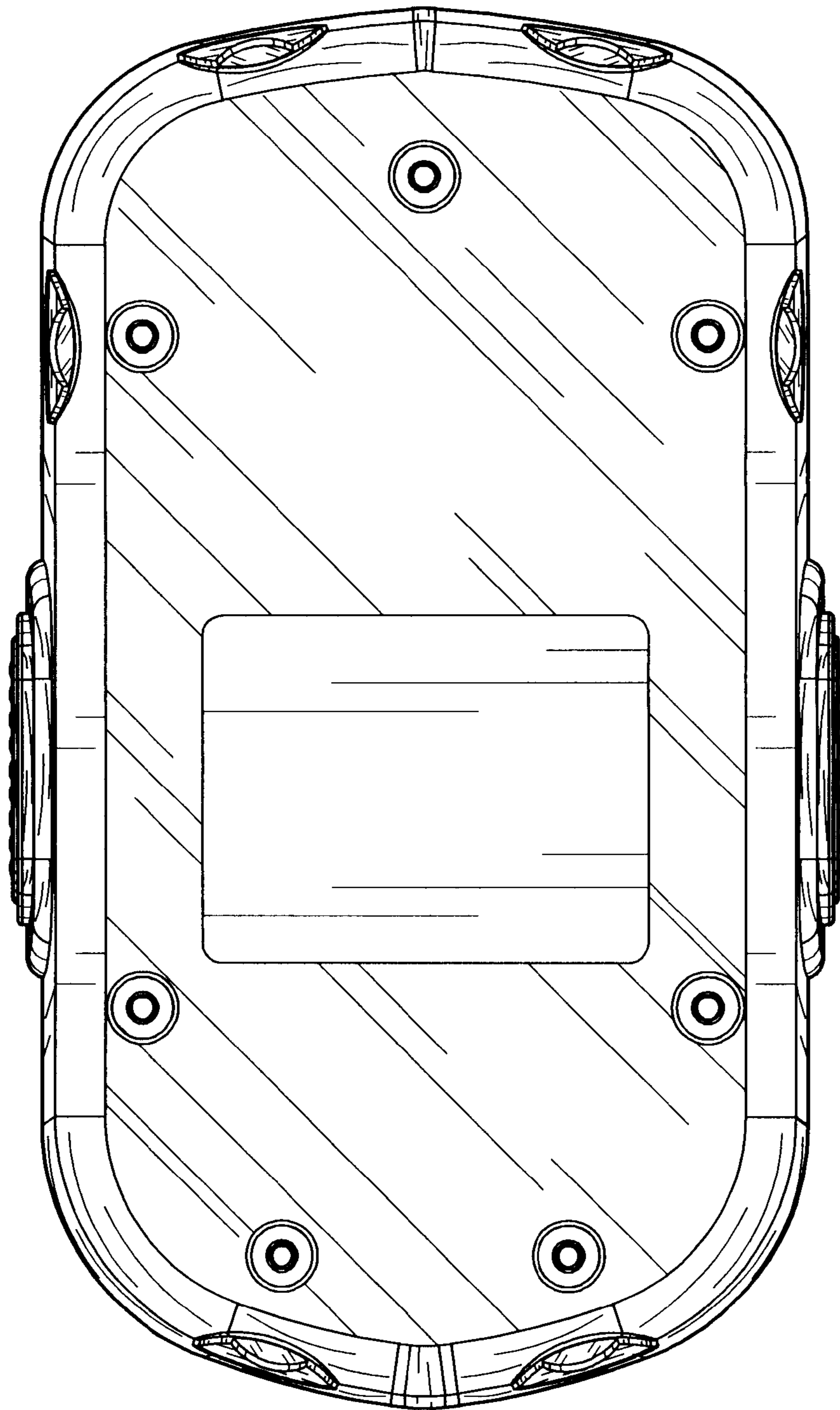


FIG. 7