



US00D482999S

(12) **United States Design Patent**
Basura

(10) **Patent No.:** **US D482,999 S**

(45) **Date of Patent:** **** Dec. 2, 2003**

(54) **FUEL TANK FOR MOTOR POWERED BICYCLE/TRICYCLE**

D393,611 S * 4/1998 Solak D12/111

* cited by examiner

(76) **Inventor:** **Michael Nicklos Basura**, 20201 Fuerte Dr., Walnut, CA (US) 91789

Primary Examiner—Alan P. Douglas

Assistant Examiner—Linda Brooks

(**) **Term:** **14 Years**

(74) *Attorney, Agent, or Firm*—Kelly Bauersfeld Lowry & Kelley, LLP

(21) **Appl. No.:** **29/165,412**

(57) **CLAIM**

(22) **Filed:** **Aug. 8, 2002**

The ornamental design for a fuel tank for motor powered bicycle/tricycle, as shown and described.

(51) **LOC (7) Cl.** **12-11**

(52) **U.S. Cl.** **D12/218**

(58) **Field of Search** D12/110-113,
D12/218; D21/432, 538; 446/440; 180/219,
69.4, 220, 225; 280/833-835; 220/4.14,
562

DESCRIPTION

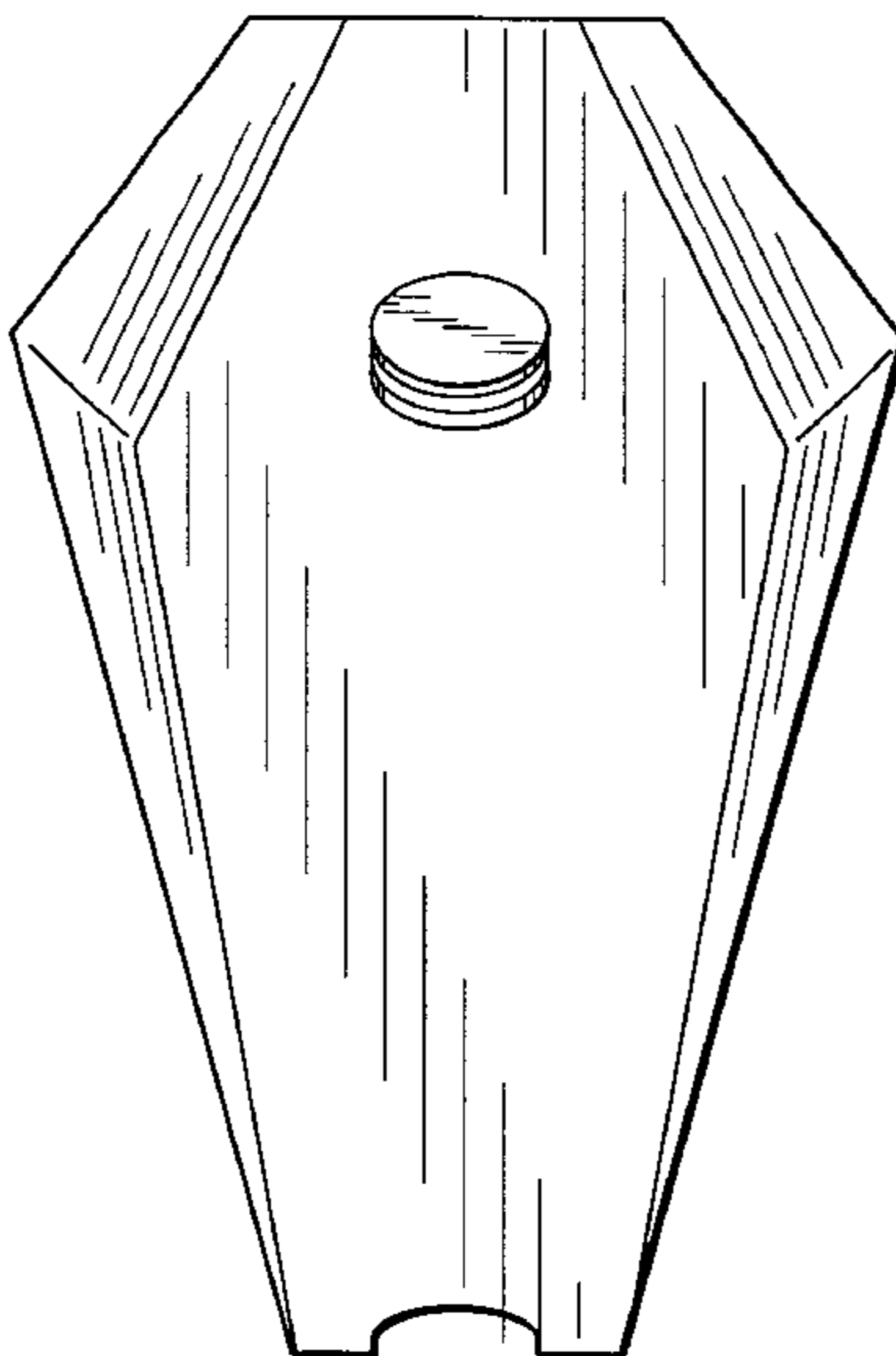
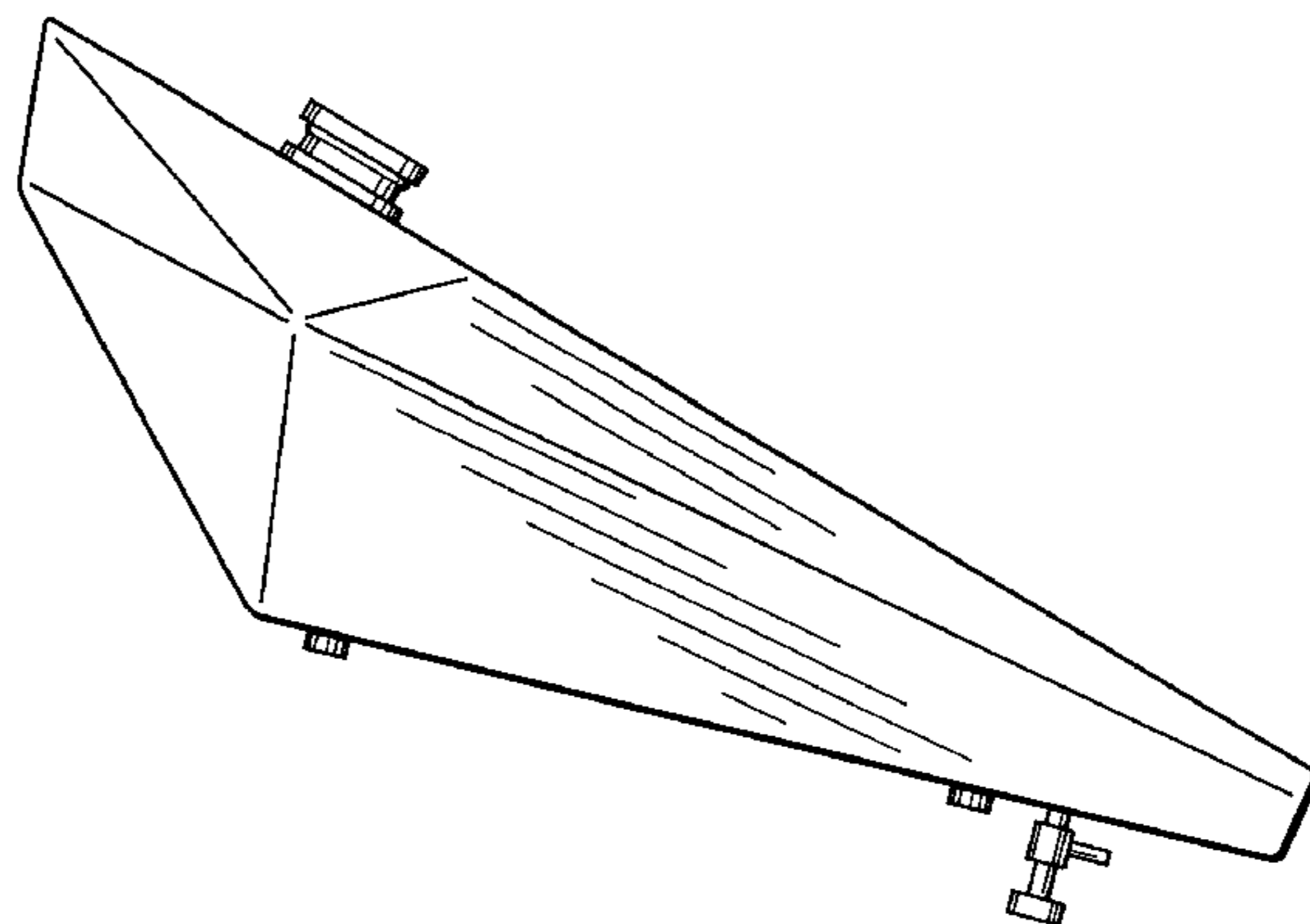
FIG. 1 is a left side elevational view thereof;
FIG. 2 is a right side elevational view thereof;
FIG. 3 is a front elevational view thereof;
FIG. 4 is a rear elevational view thereof;
FIG. 5 is a bottom plan view thereof; and,
FIG. 6 is a top plan view thereof.

(56) **References Cited**

U.S. PATENT DOCUMENTS

4,951,774 A * 8/1990 Buell 180/225

1 Claim, 3 Drawing Sheets



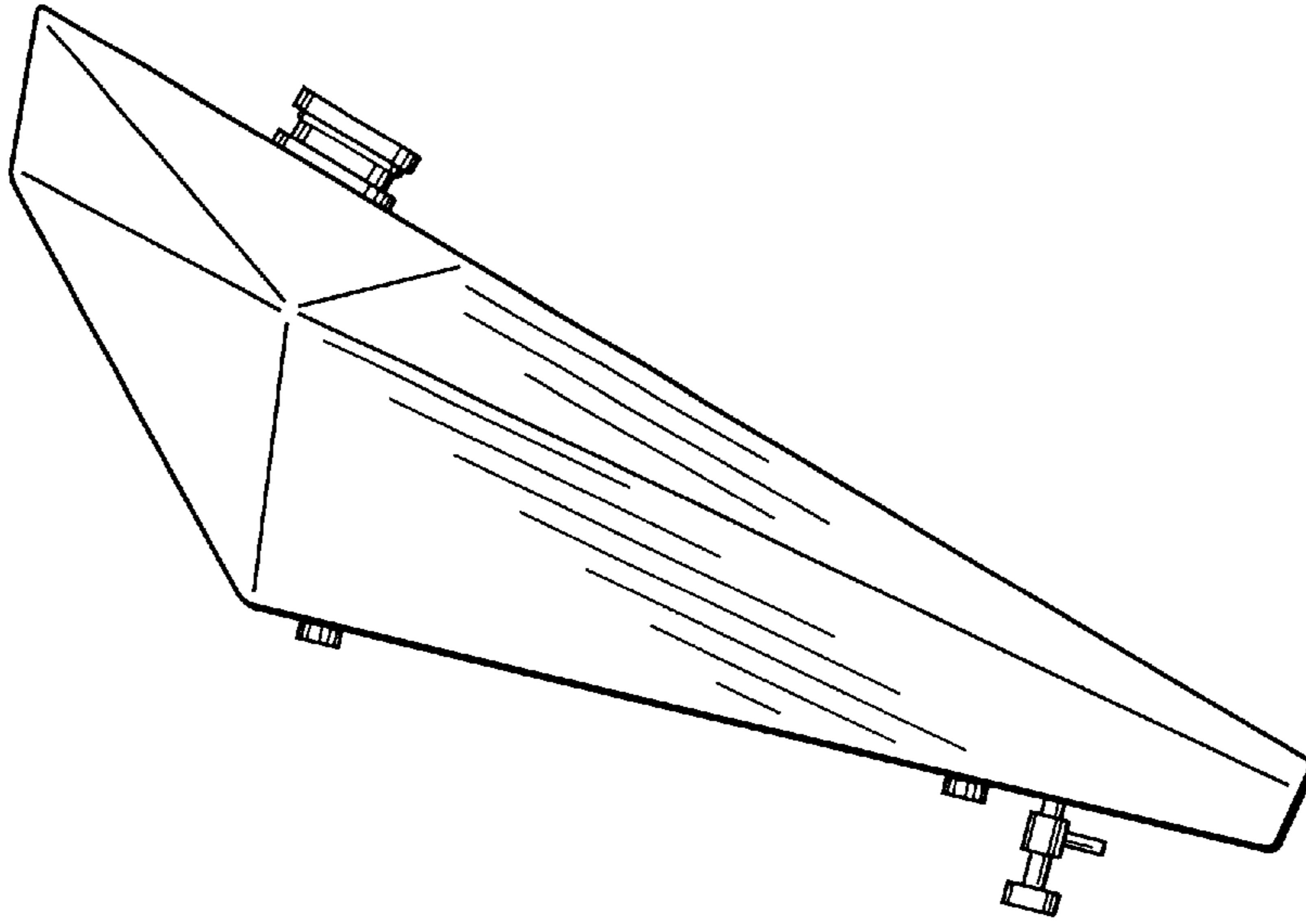


FIG. 1

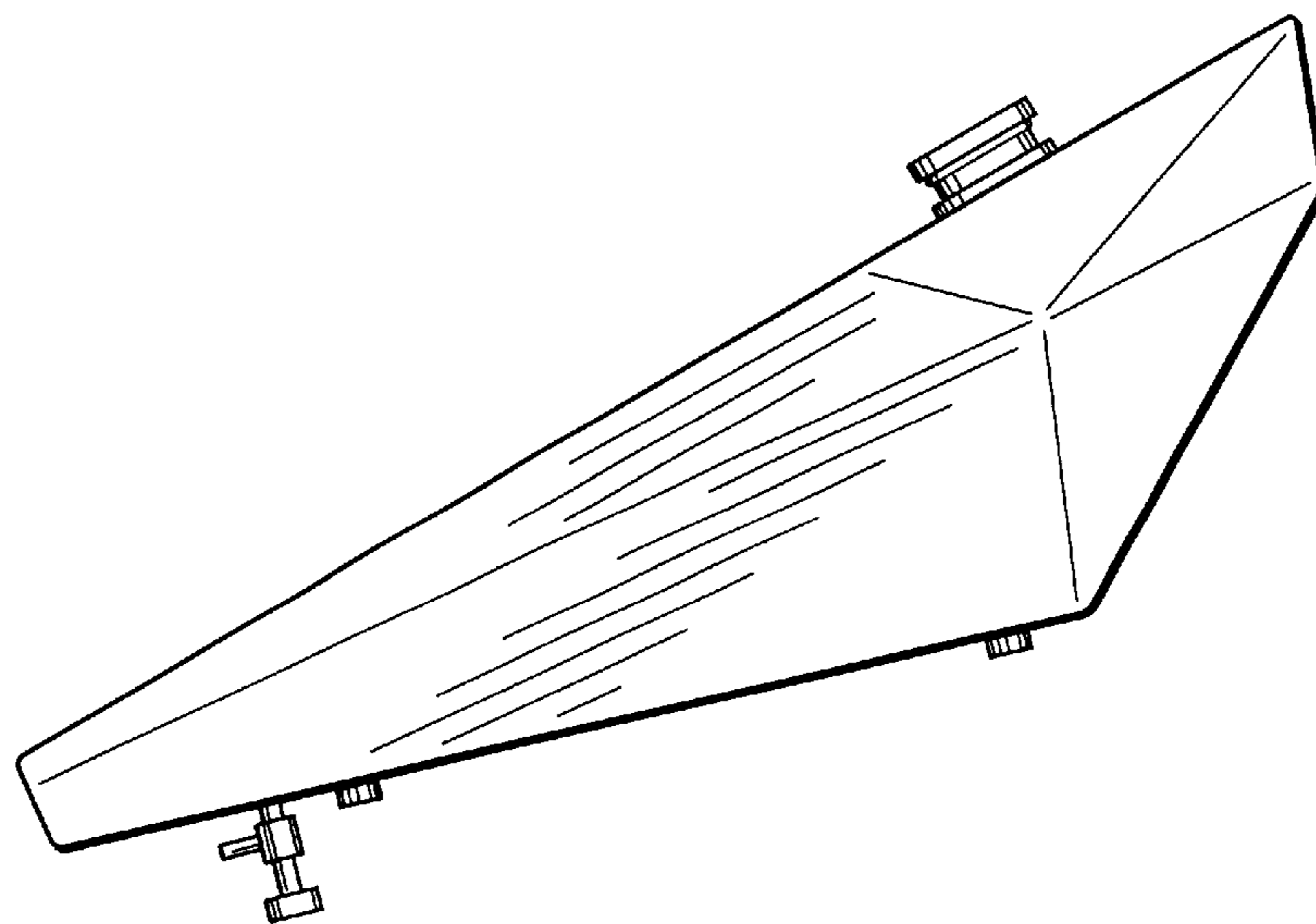


FIG. 2

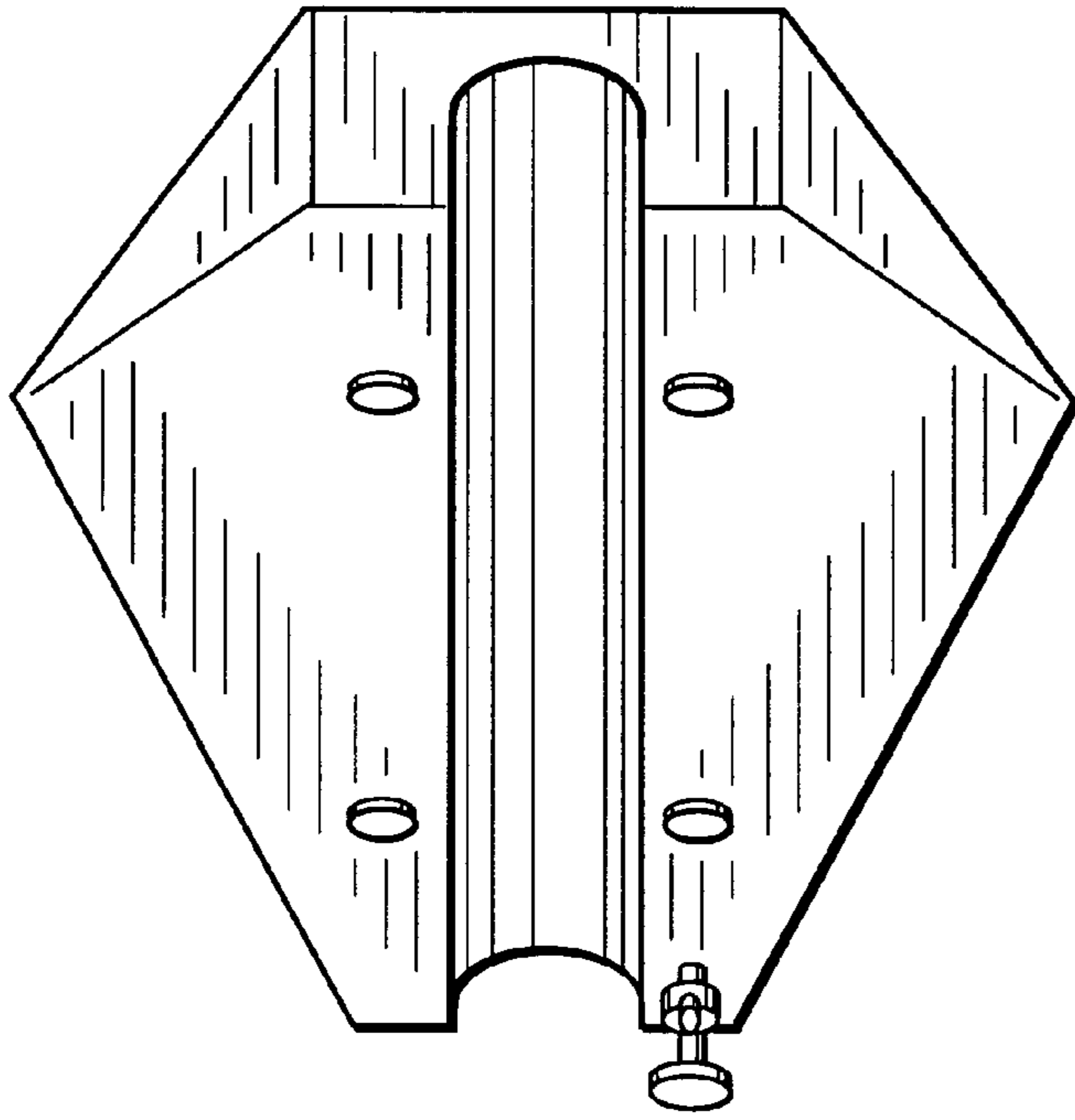


FIG. 3

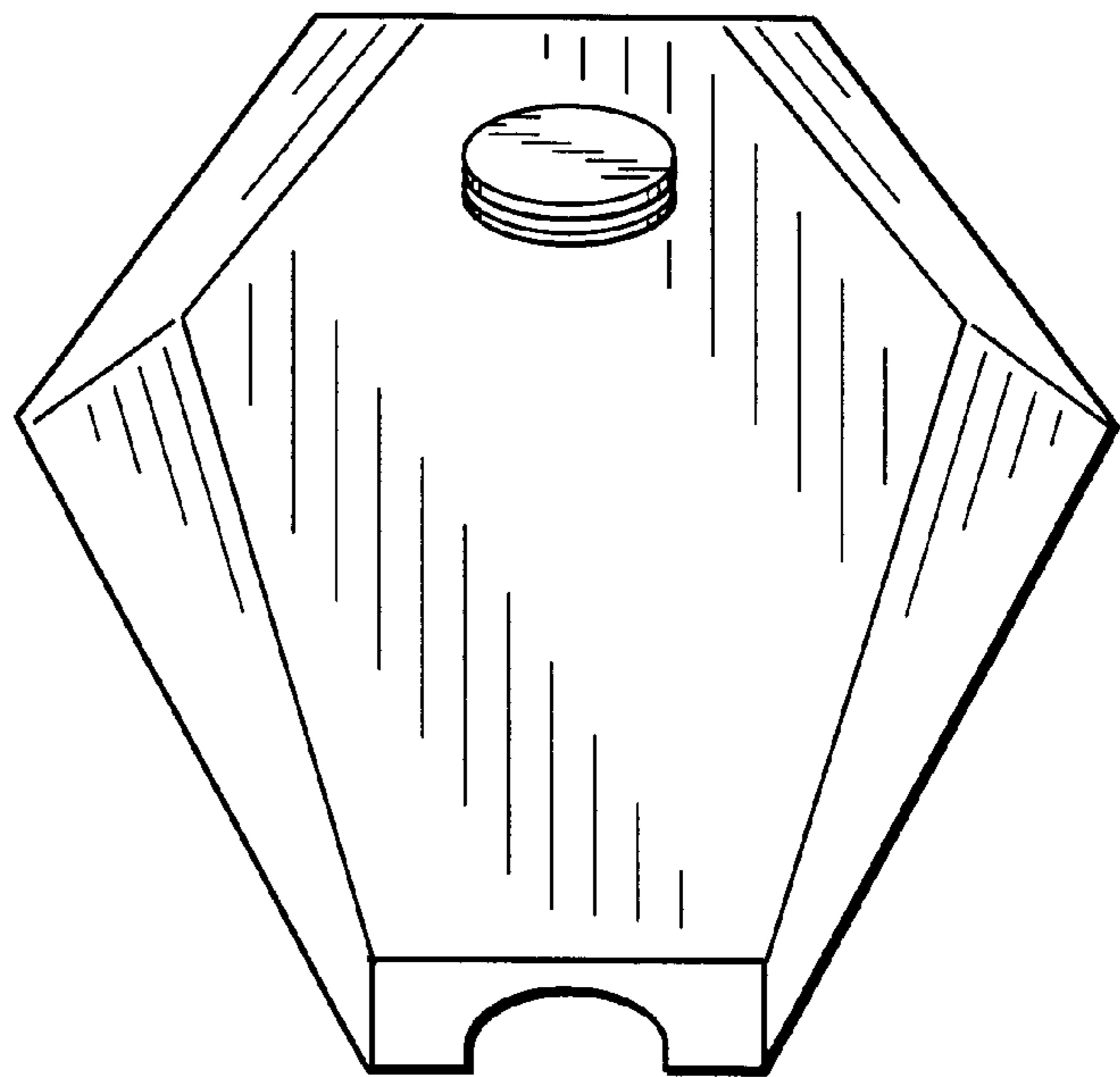


FIG. 4

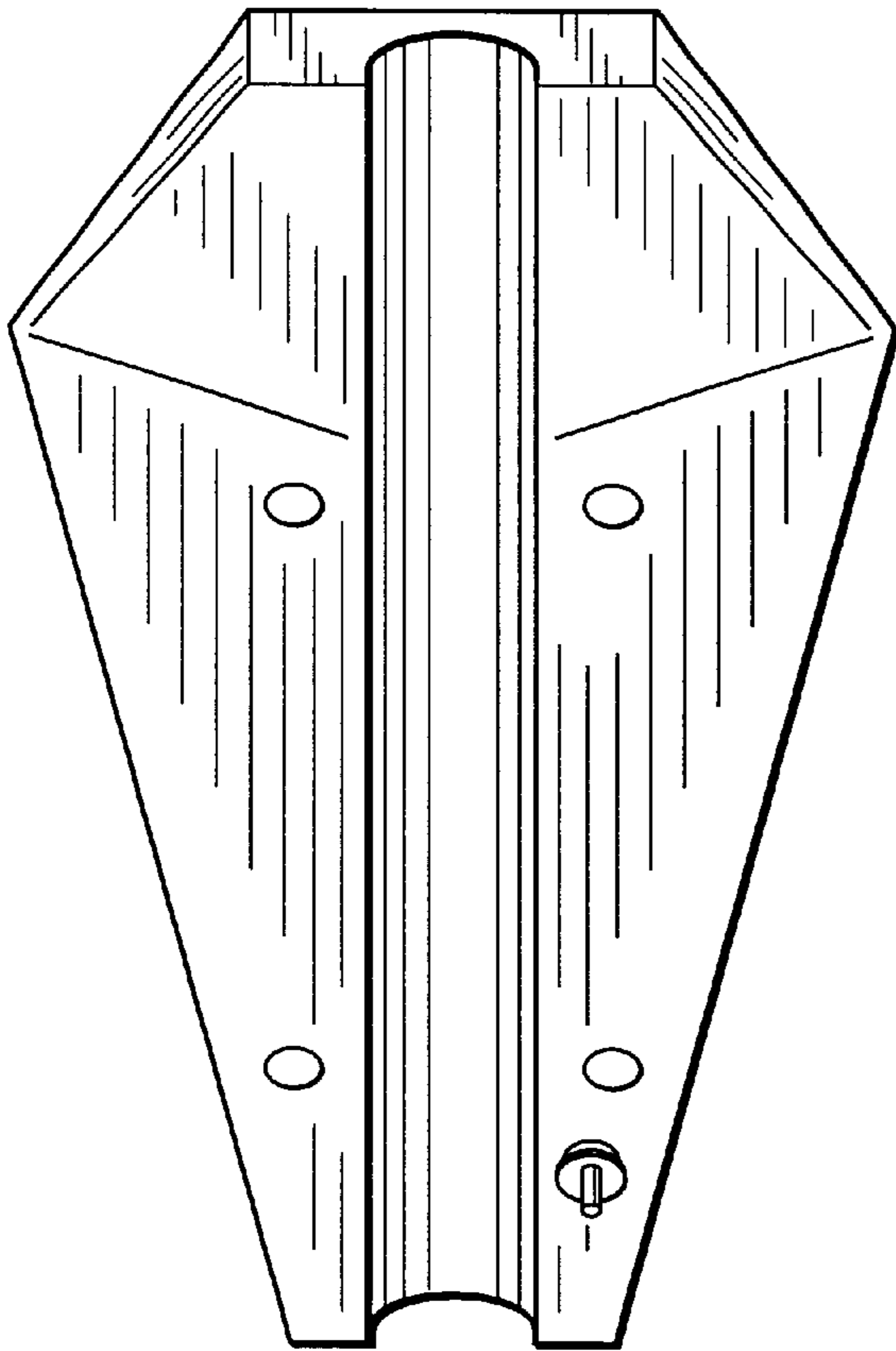


FIG. 5

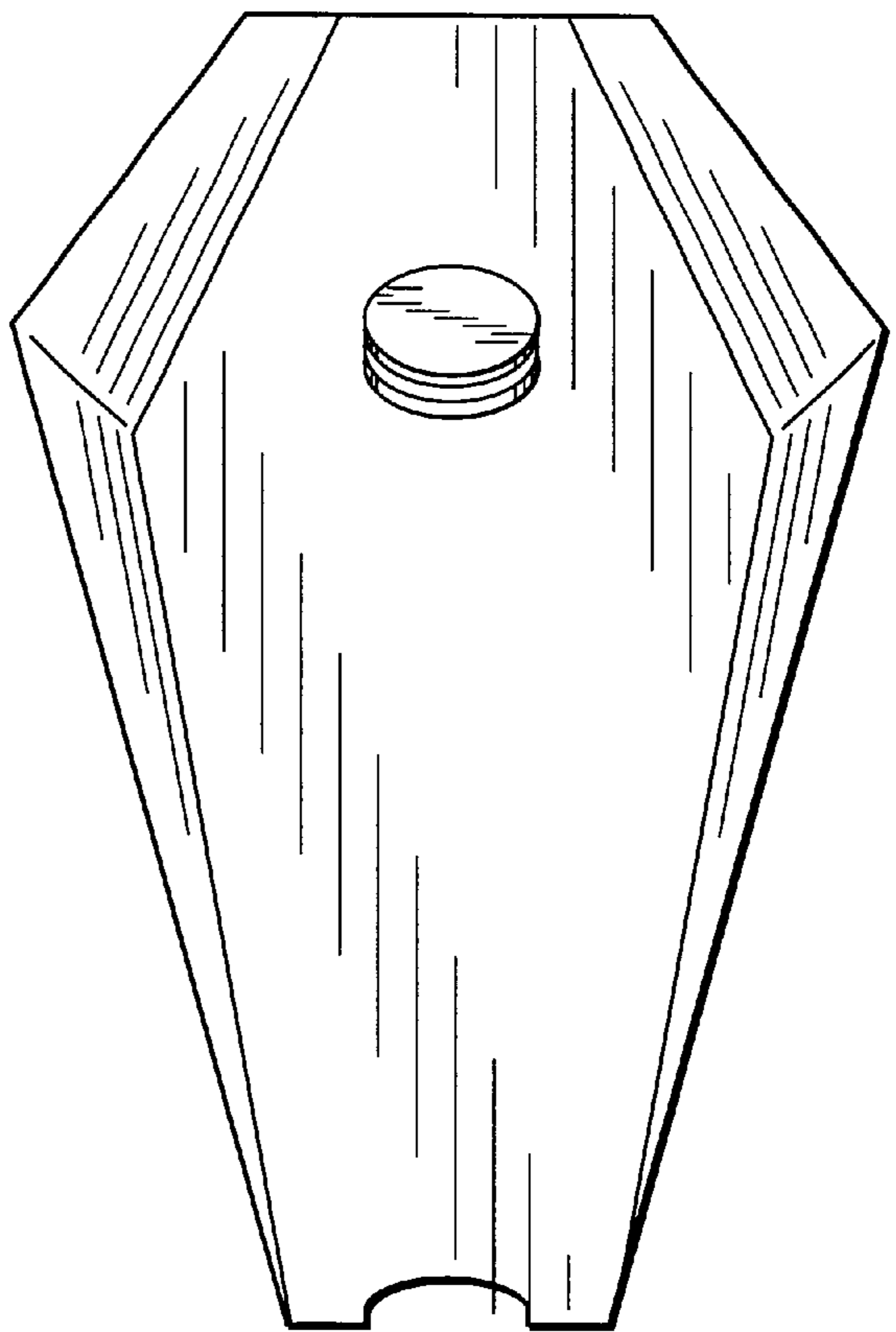


FIG. 6