



US00D482997S

(12) **United States Design Patent**  
**Viandante**

(10) **Patent No.:** **US D482,997 S**

(45) **Date of Patent:** **\*\* Dec. 2, 2003**

(54) **WHEEL**

(75) Inventor: **Michele Viandante**, Aachen (DE)

(73) Assignee: **Kohl Automobile GmbH**, Aachen (DE)

(\*\*) Term: **14 Years**

(21) Appl. No.: **29/178,516**

(22) Filed: **Mar. 27, 2003**

(30) **Foreign Application Priority Data**

Sep. 20, 2002 (WO) ..... DM/061 548

(51) **LOC (7) Cl.** ..... **12-16**

(52) **U.S. Cl.** ..... **D12/211**

(58) **Field of Search** ..... D12/204-211;  
301/37.101, 64.101, 65

(56) **References Cited**

**U.S. PATENT DOCUMENTS**

D204,256 S	*	4/1966	Rader	.....	D12/211
D214,620 S	*	7/1969	Barris	.....	D12/211
D231,349 S	*	4/1974	Gaffney	.....	D12/211
D361,976 S	*	9/1995	Echazabal et al.	.....	D12/211
D375,073 S	*	10/1996	Theiss	.....	D12/209
D383,429 S	*	9/1997	Muzzarelli et al.	.....	D12/211

D392,237 S	*	3/1998	Kelley	.....	D12/209
D399,470 S	*	10/1998	Sacco et al.	.....	D12/209
D401,205 S	*	11/1998	Fischer	.....	D12/209
D412,149 S	*	7/1999	Corioni	.....	D12/211
D441,709 S	*	5/2001	Vian	.....	D12/211
D448,714 S	*	10/2001	Pusdesris et al.	.....	D12/211
D462,929 S	*	9/2002	Vian	.....	D12/209
D463,349 S	*	9/2002	Vian	.....	D12/209
D465,185 S	*	11/2002	Chung	.....	D12/211
D470,093 S	*	2/2003	Frizzi	.....	D12/209

\* cited by examiner

*Primary Examiner*—Stacia Cadmus

(74) *Attorney, Agent, or Firm*—Cohen, Pontani, Lieberman & Pavane

(57) **CLAIM**

The ornamental design for a wheel, as shown and described.

**DESCRIPTION**

FIG. 1 is a front perspective view of a wheel showing my new design;

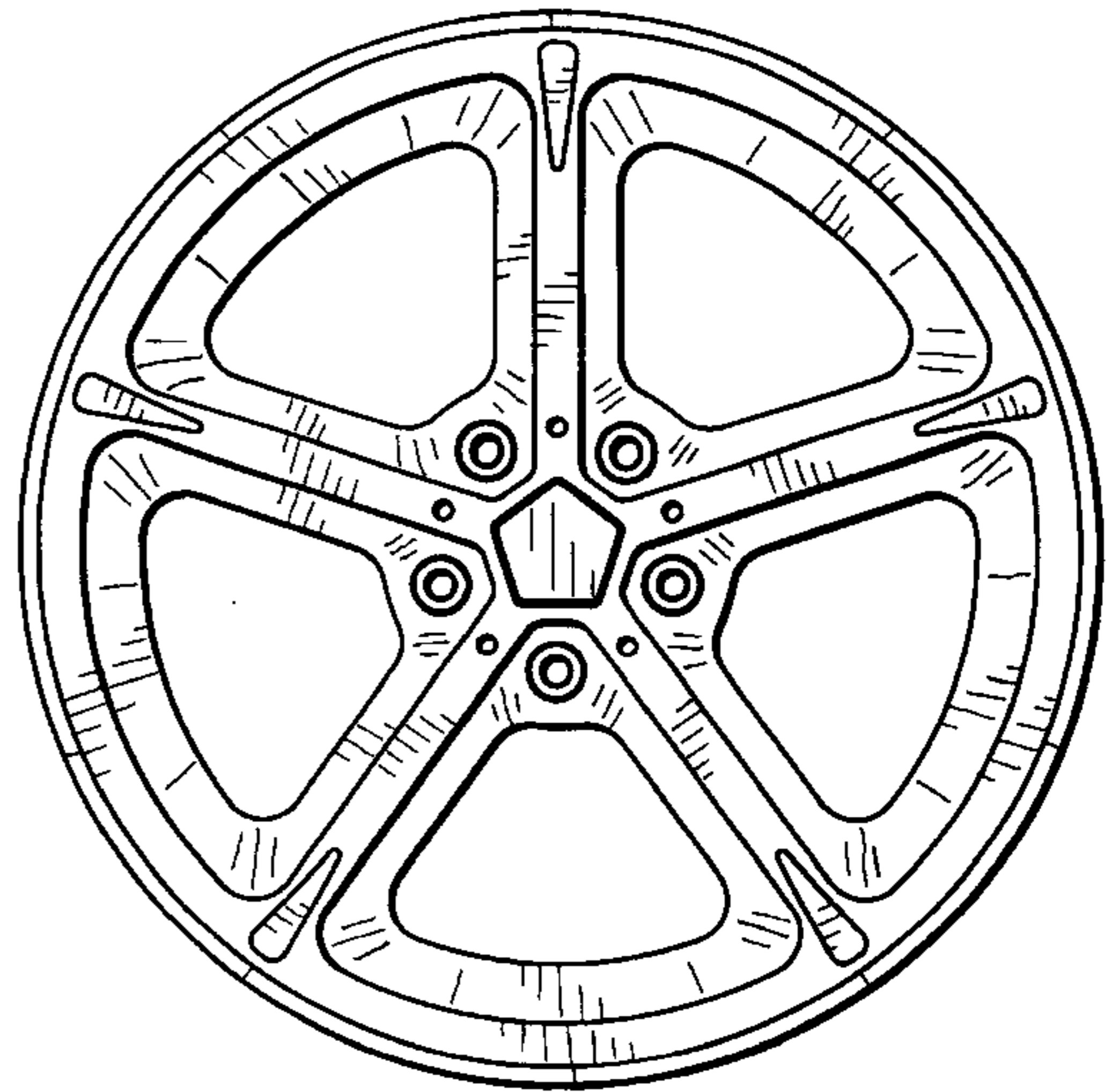
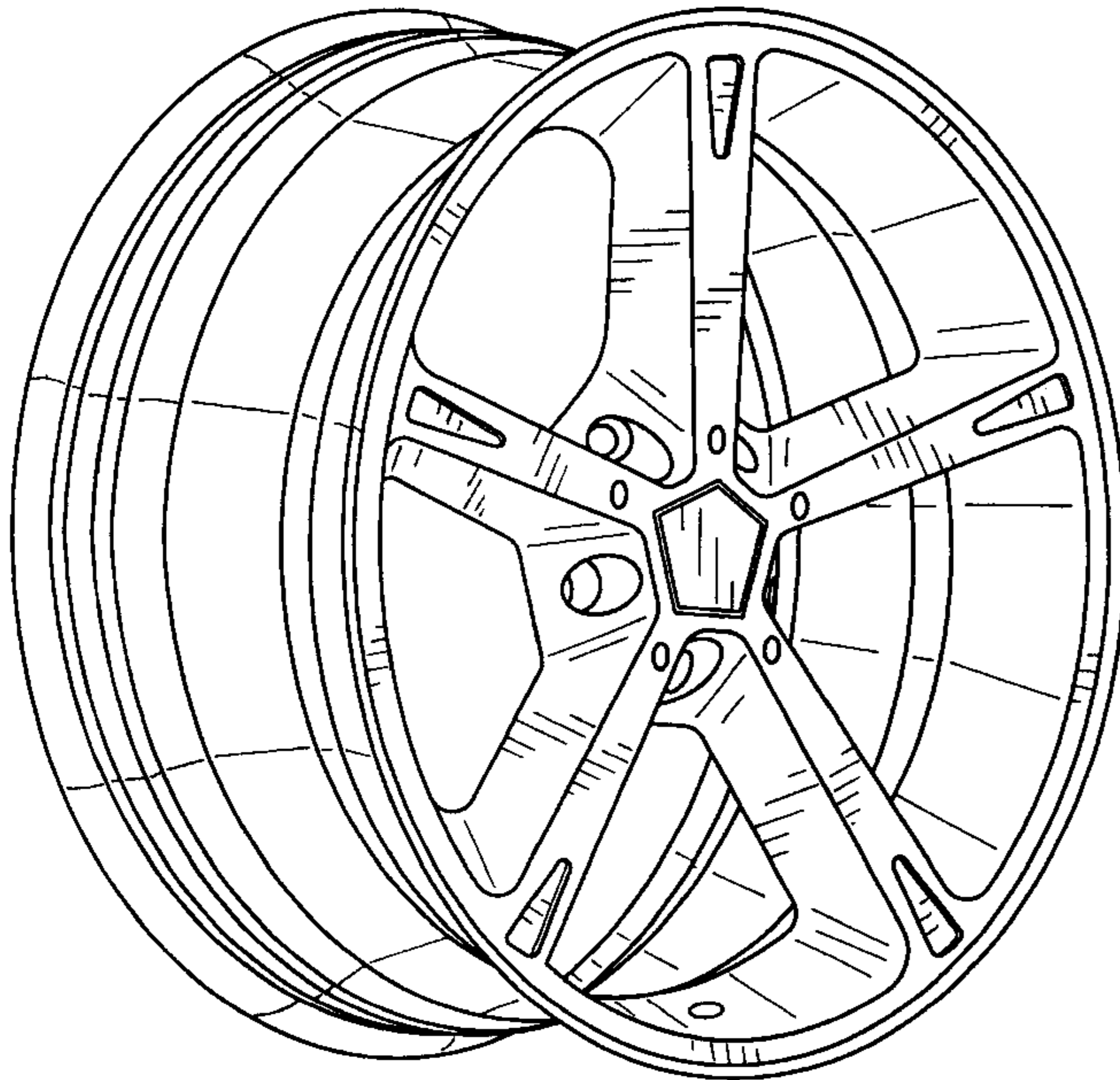
FIG. 2 is a rear perspective view thereof;

FIG. 3 is a side view thereof;

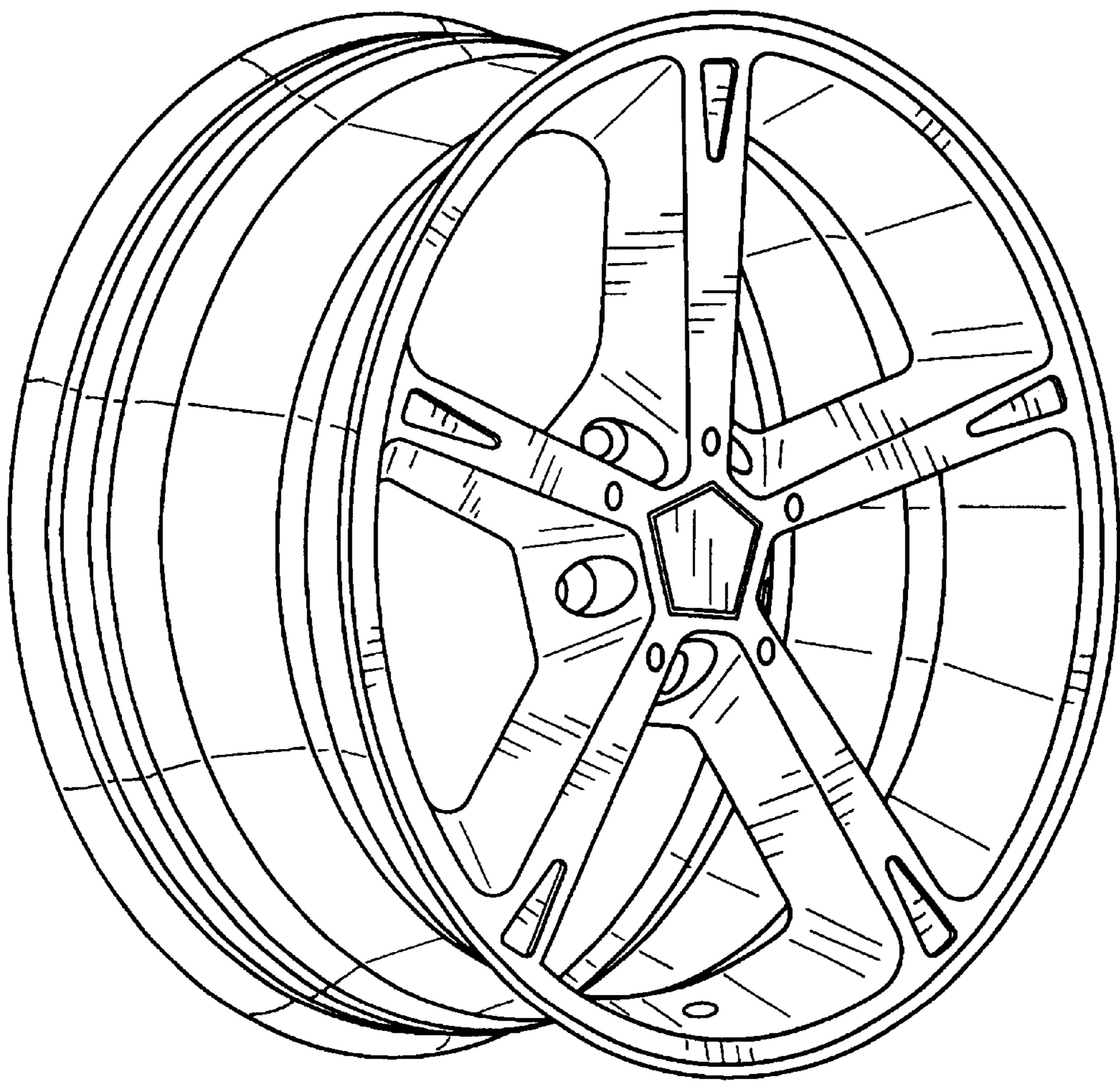
FIG. 4 is a front view thereof; and,

FIG. 5 is a rear view thereof.

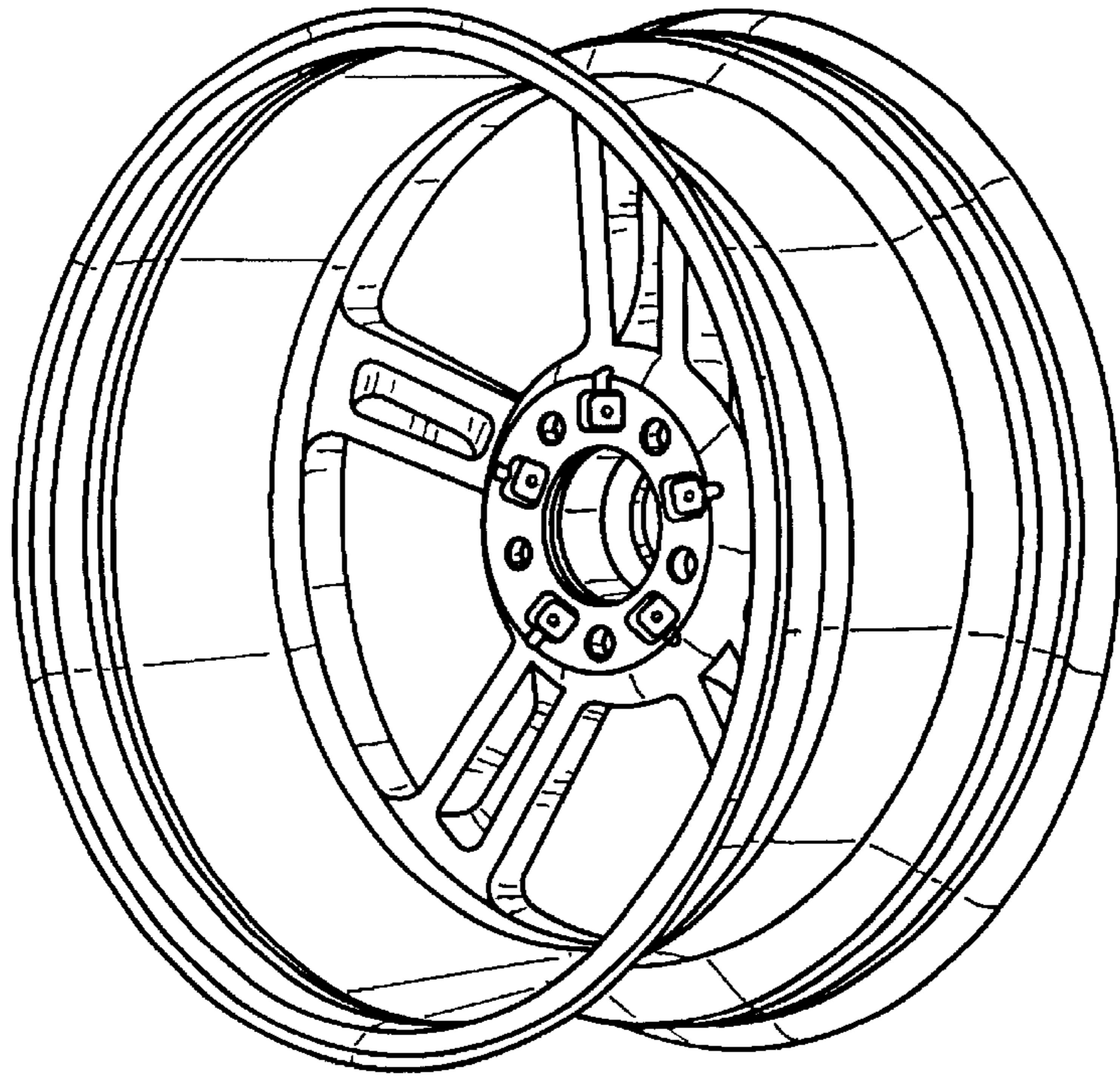
**1 Claim, 3 Drawing Sheets**



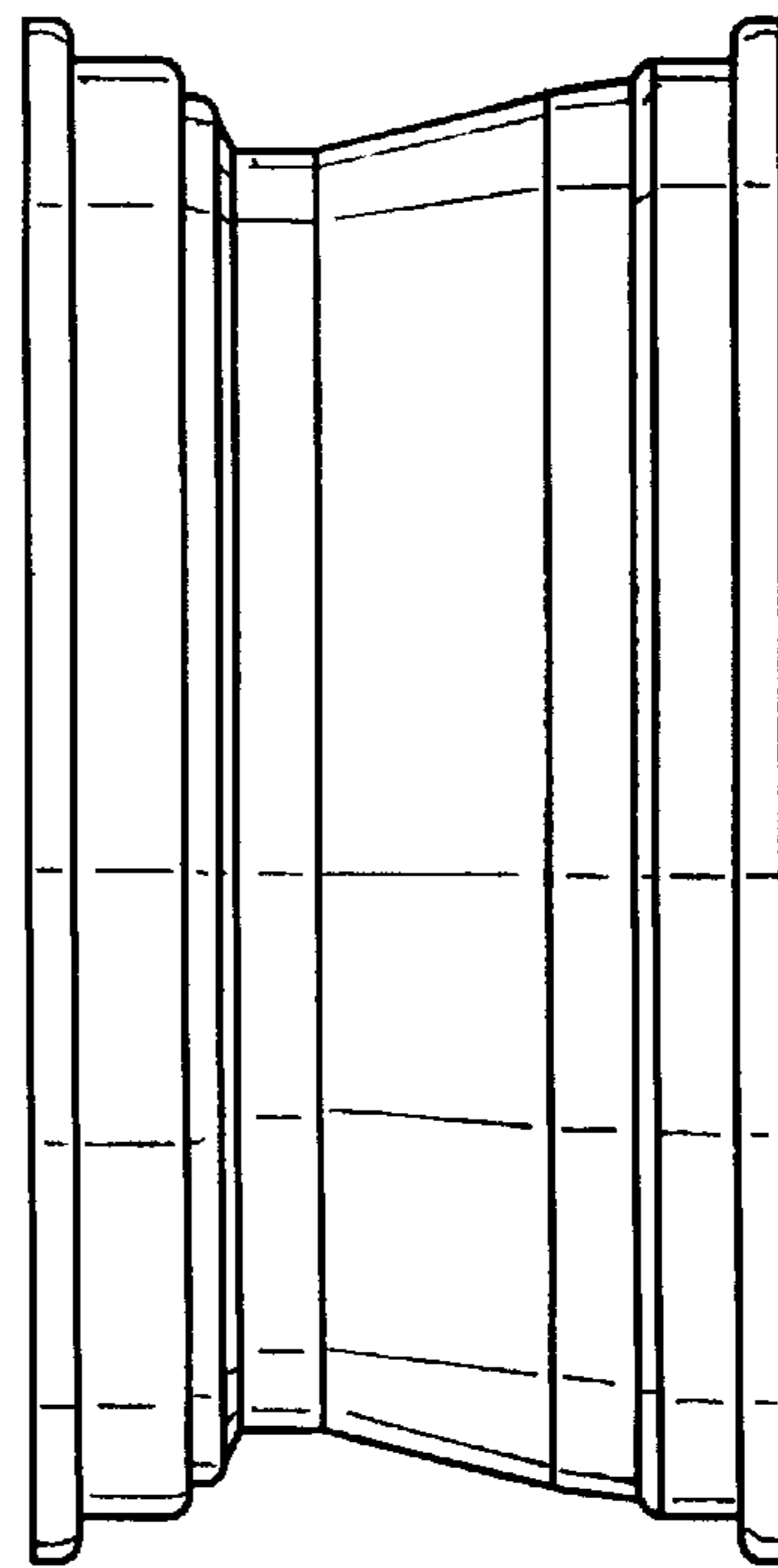
*FIG. 1*



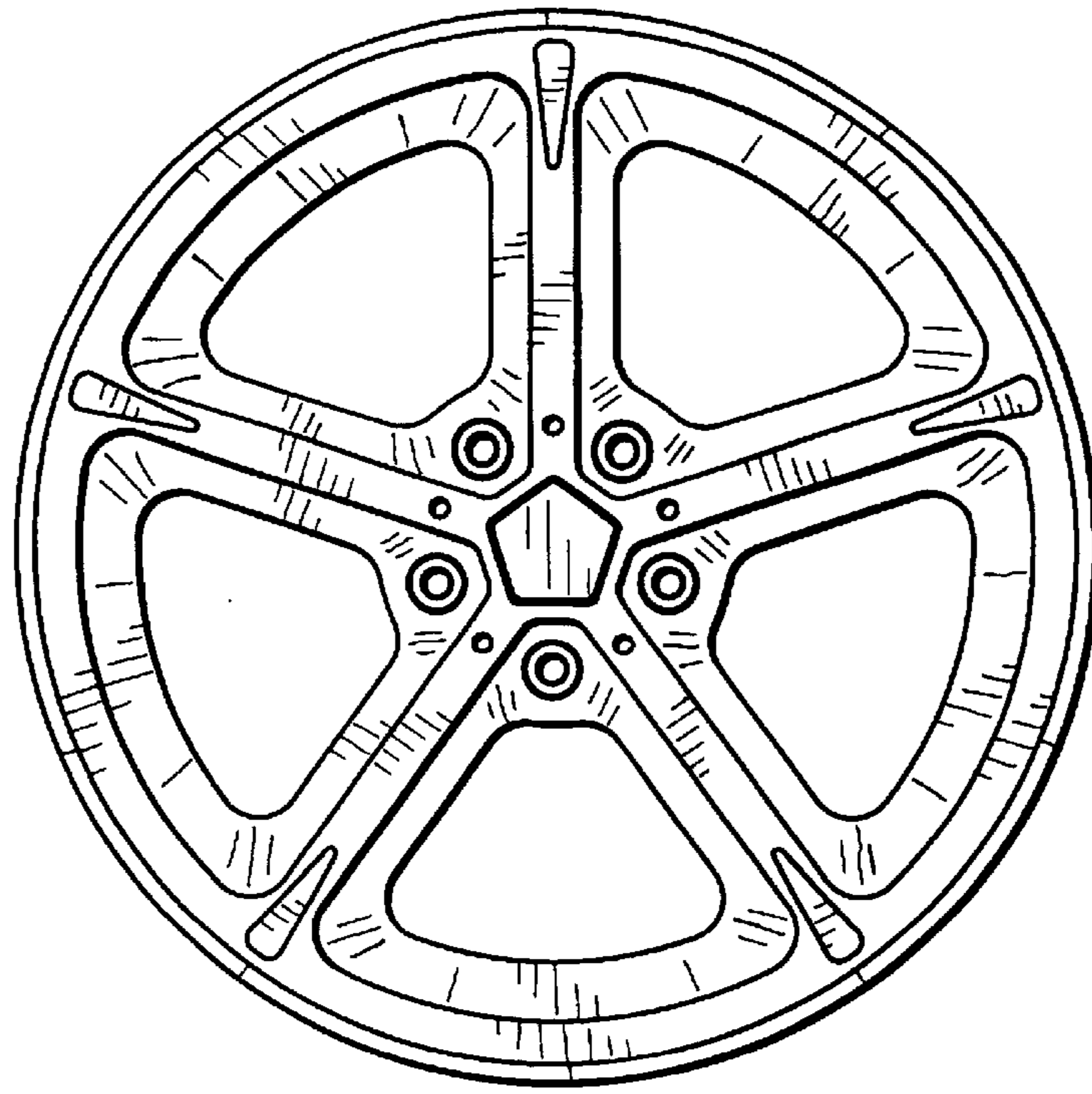
*FIG. 2*



*FIG. 3*



*FIG.4*



*FIG.5*

