



US00D482993S

(12) **United States Design Patent**
Conway et al.

(10) **Patent No.:** **US D482,993 S**

(45) **Date of Patent:** **** Dec. 2, 2003**

(54) **QUARTER FENDER FOR SET BACK FRONT AXLE TRUCK**

(75) Inventors: **Scott M. Conway**, Flower Mound, TX (US); **Louis D. Heilaneh**, Lewisville, TX (US)

(73) Assignee: **PACCAR Inc**, Bellevue, WA (US)

(**) Term: **14 Years**

(21) Appl. No.: **29/176,101**

(22) Filed: **Feb. 18, 2003**

(51) **LOC (7) Cl.** **12-16**

(52) **U.S. Cl.** **D12/184; D12/196**

(58) **Field of Search** D12/184, 193, D12/173, 196, 96, 14; 280/848, 152.1, 153.1

(56) **References Cited**

U.S. PATENT DOCUMENTS

D344,059 S * 2/1994 DeBaal et al. D12/184
D347,614 S * 6/1994 DeBaal et al. D12/184

D366,640 S * 1/1996 Tucker et al. D12/189
D382,844 S * 8/1997 Norwood et al. D12/184
D447,989 S * 9/2001 Price D12/184
D474,429 S * 5/2003 Weber et al. D12/184
D474,430 S * 5/2003 Hill et al. D12/184

* cited by examiner

Primary Examiner—Melody N. Brown

(74) *Attorney, Agent, or Firm*—Sidley Austin Brown & Wood LLP

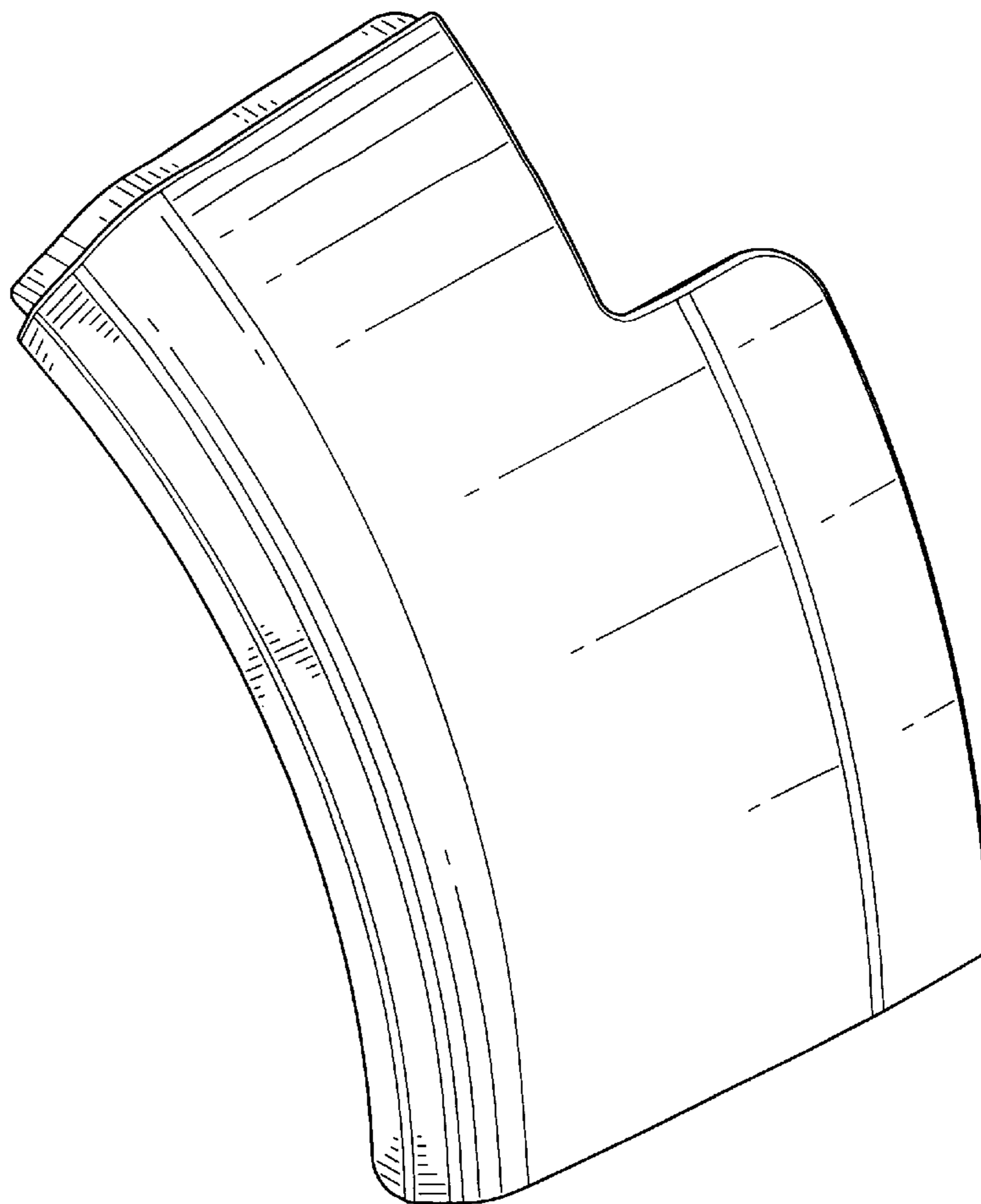
(57) **CLAIM**

The ornamental design for a quarter fender for set back front axle truck, as shown and described.

DESCRIPTION

FIG. 1 is a rear perspective view of a quarter fender for set back front axle truck showing our new design; FIG. 2 is a front perspective view thereof; FIG. 3 is a top view thereof; FIG. 4 is a side view thereof; and, FIG. 5 is a rear view thereof.

1 Claim, 2 Drawing Sheets



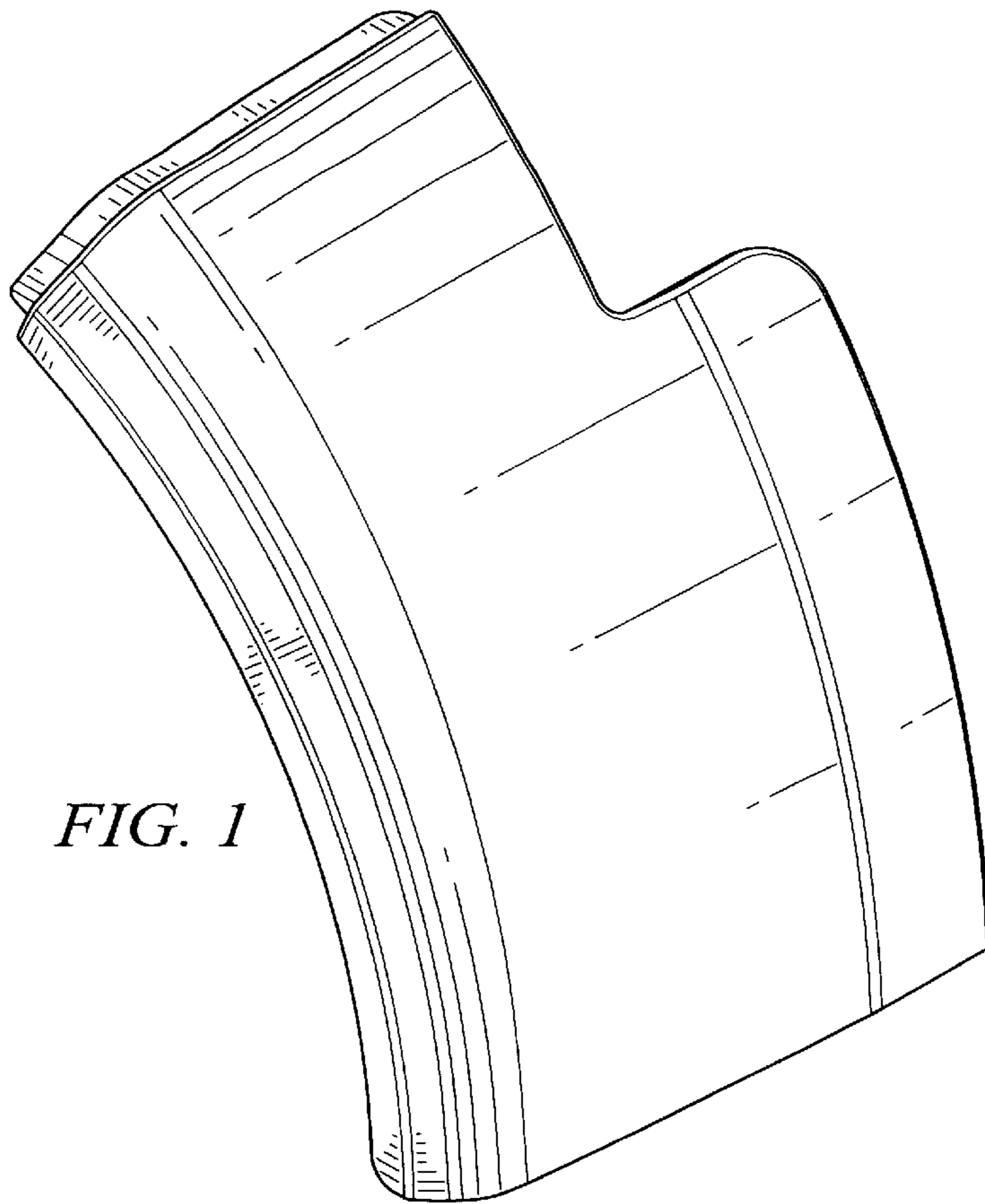


FIG. 1

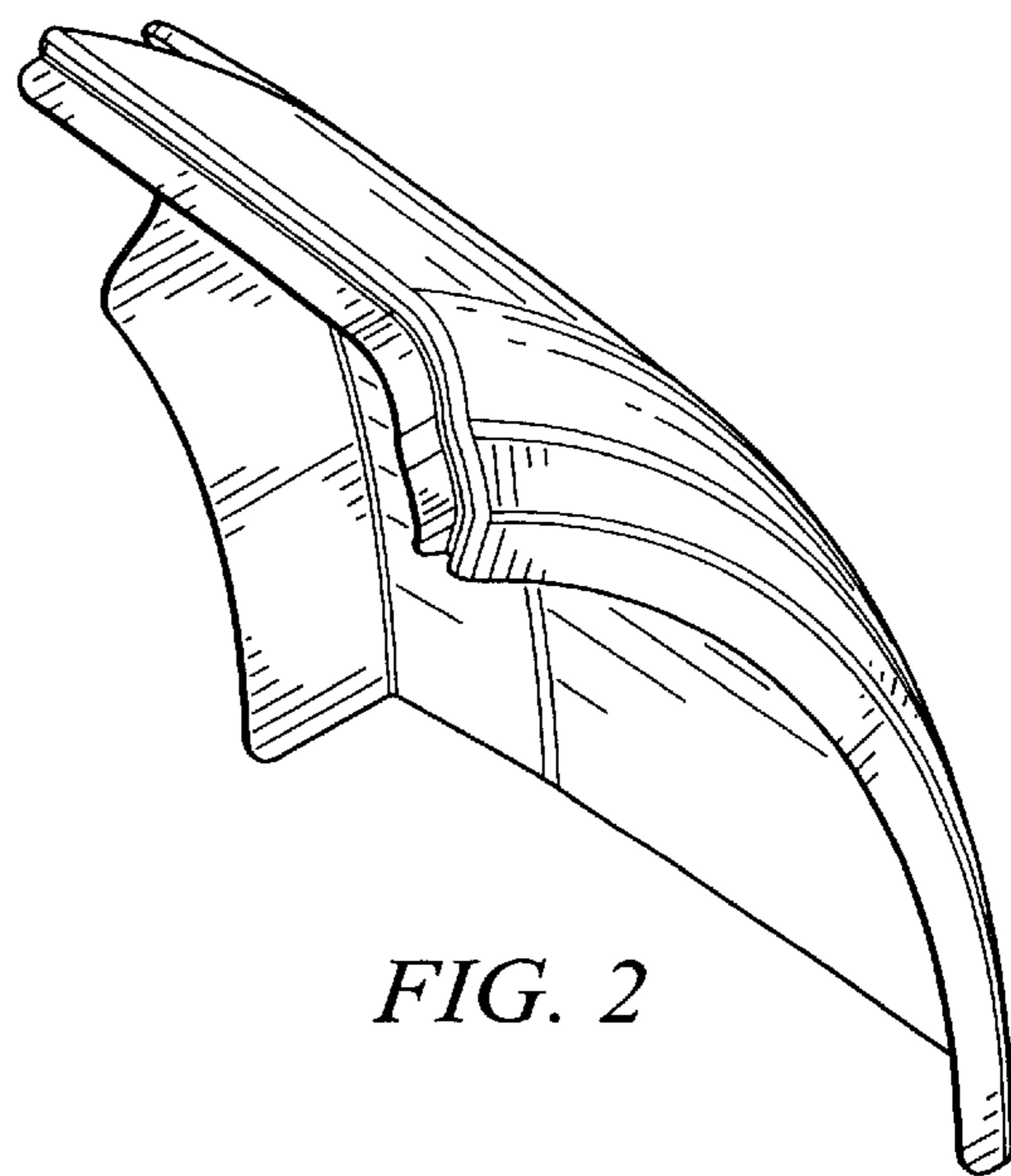


FIG. 2

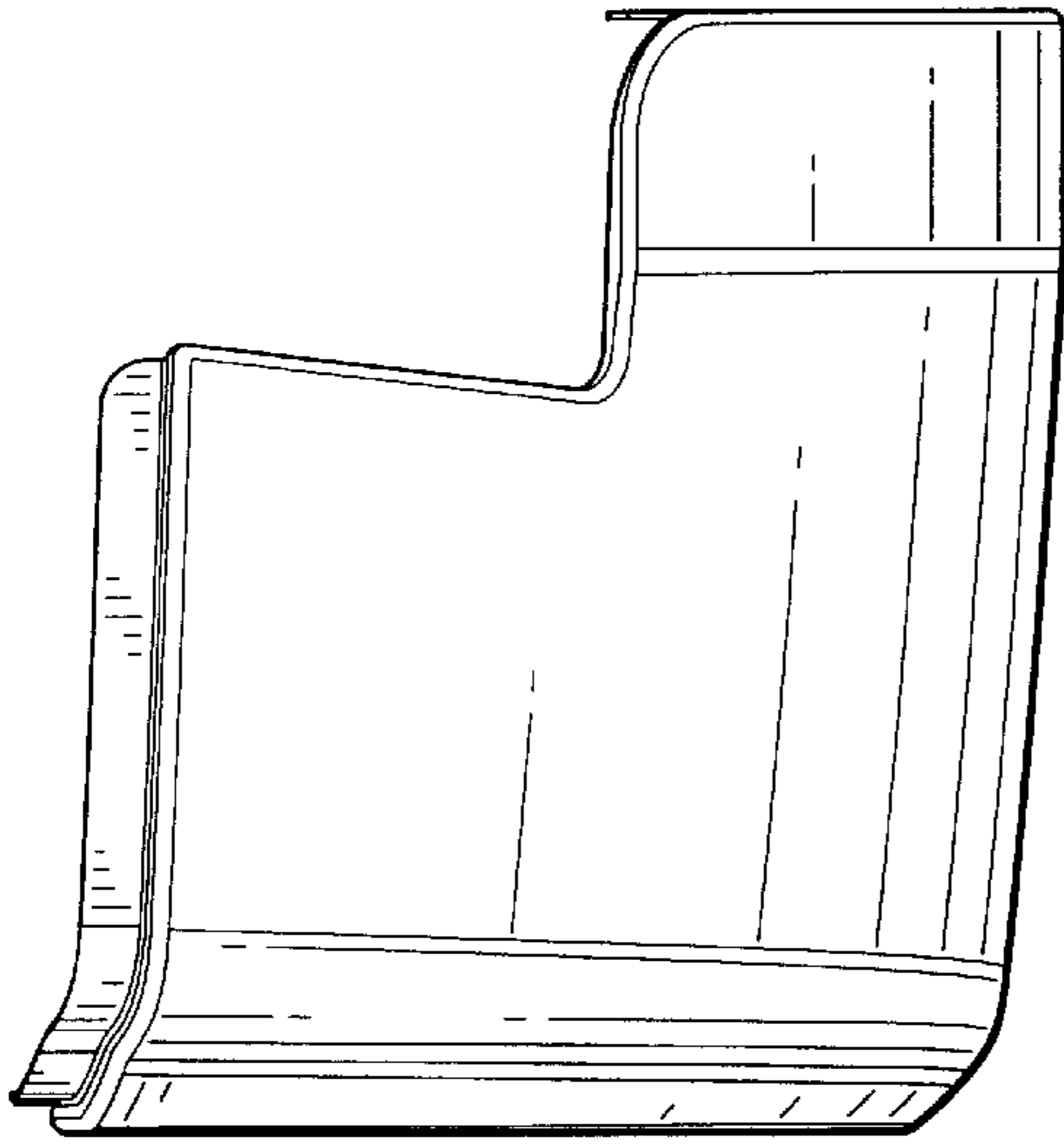


FIG. 3

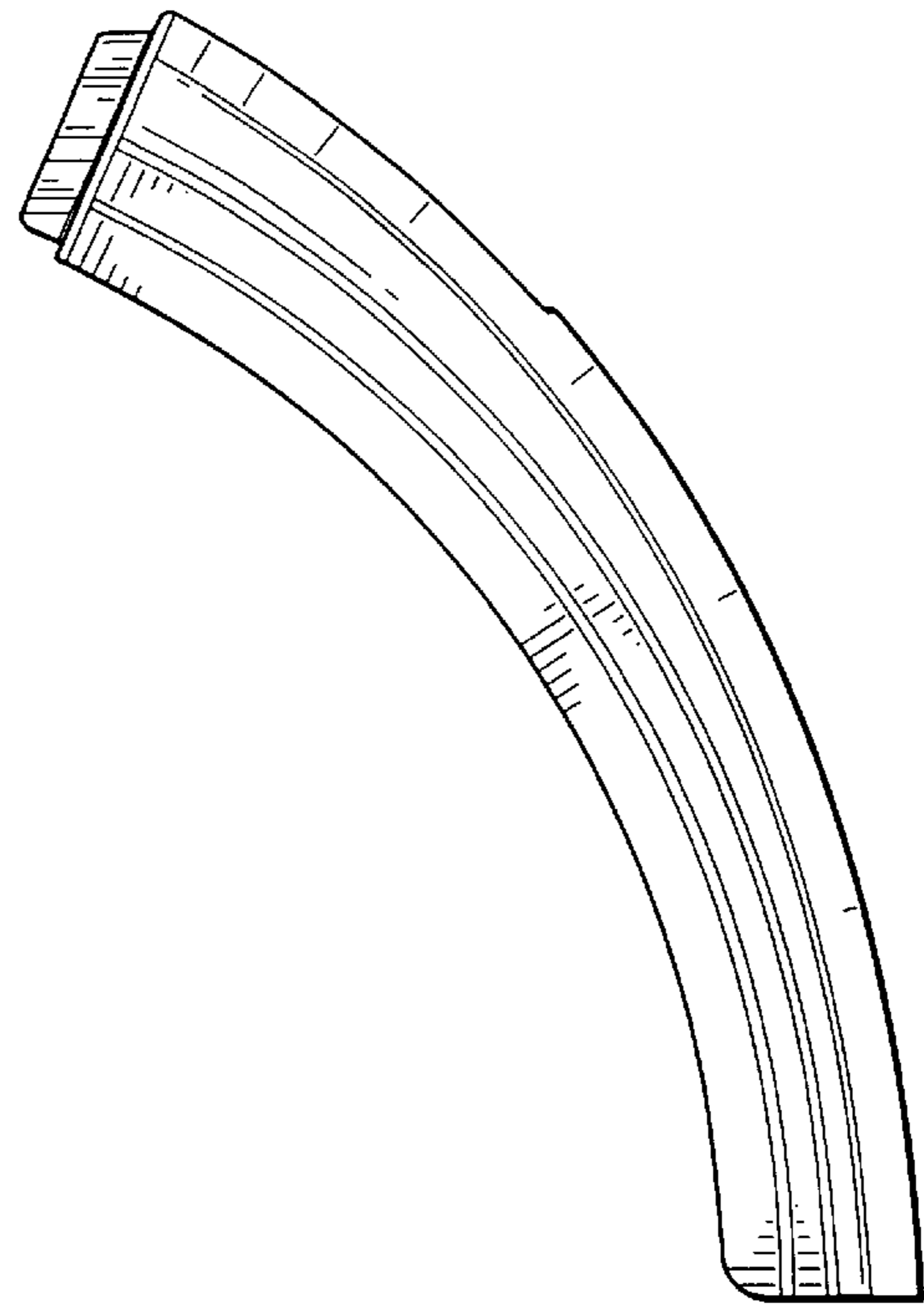


FIG. 4

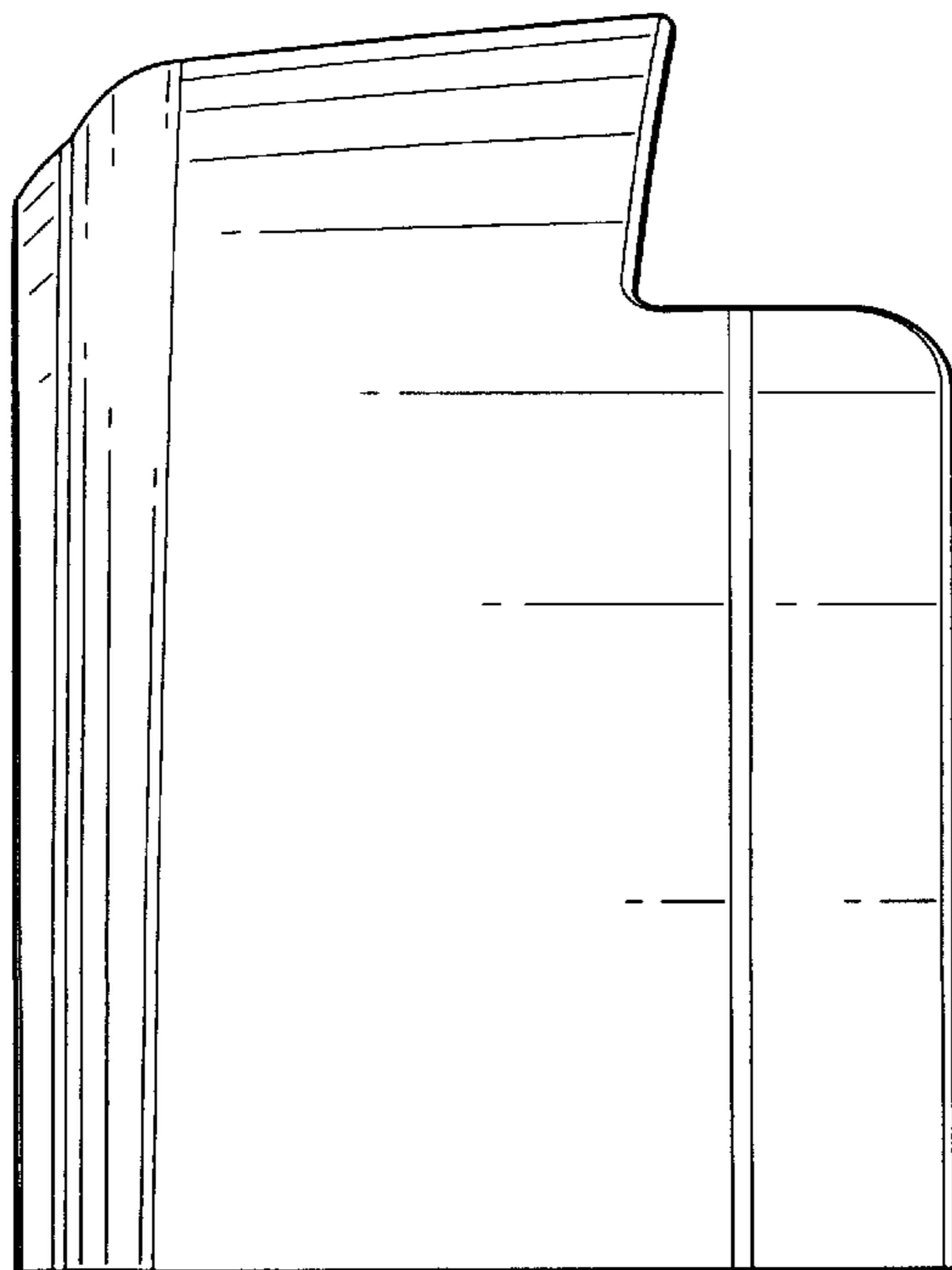


FIG. 5