



US00D482991S

(12) **United States Design Patent**
Pancheri et al.

(10) **Patent No.: US D482,991 S**

(45) **Date of Patent: ** Dec. 2, 2003**

(54) **HITCH RECEIVER ASSEMBLY WITH DUAL ACCESSORY BRACKETS**

(75) Inventors: **Donald L. Pancheri**, South Bend, IN (US); **Michael L. Litty**, Elkhart, IN (US); **Christopher W. Moore**, South Bend, IN (US)

(73) Assignee: **Cequent Towing Products, Inc.**, Plymouth, MI (US)

(**) Term: **14 Years**

(21) Appl. No.: **29/180,096**

(22) Filed: **Apr. 18, 2003**

(51) **LOC (7) Cl.** **12-16**

(52) **U.S. Cl.** **D12/162**

(58) **Field of Search** D12/162, 400; 280/481.5, 495, 402, 415.1, 416.1, 482, 490.1, 493, 491.1-491.49, 500-501, 505, 511; 293/117; 248/224.7; 296/26.08

(56) **References Cited**

U.S. PATENT DOCUMENTS

- D341,117 S * 11/1993 Sundstedt D12/162
- D367,632 S * 3/1996 Grieve D12/162
- D373,557 S * 9/1996 Shaw et al. D12/162
- D379,343 S * 5/1997 Shaw et al. D12/162

- D424,990 S * 5/2000 McCoy et al. D12/162
- D433,357 S * 11/2000 McCoy et al. D12/162
- D434,708 S * 12/2000 McCoy et al. D12/162
- D445,738 S * 7/2001 Lindenman et al. D12/162
- D458,196 S * 6/2002 McCoy et al. D12/162
- D470,444 S * 2/2003 Newport D12/162
- 6,540,277 B2 * 4/2003 McCoy et al. 293/117

* cited by examiner

Primary Examiner—Stacia Cadmus

(74) *Attorney, Agent, or Firm*—King & Schickli, PLLC

(57) **CLAIM**

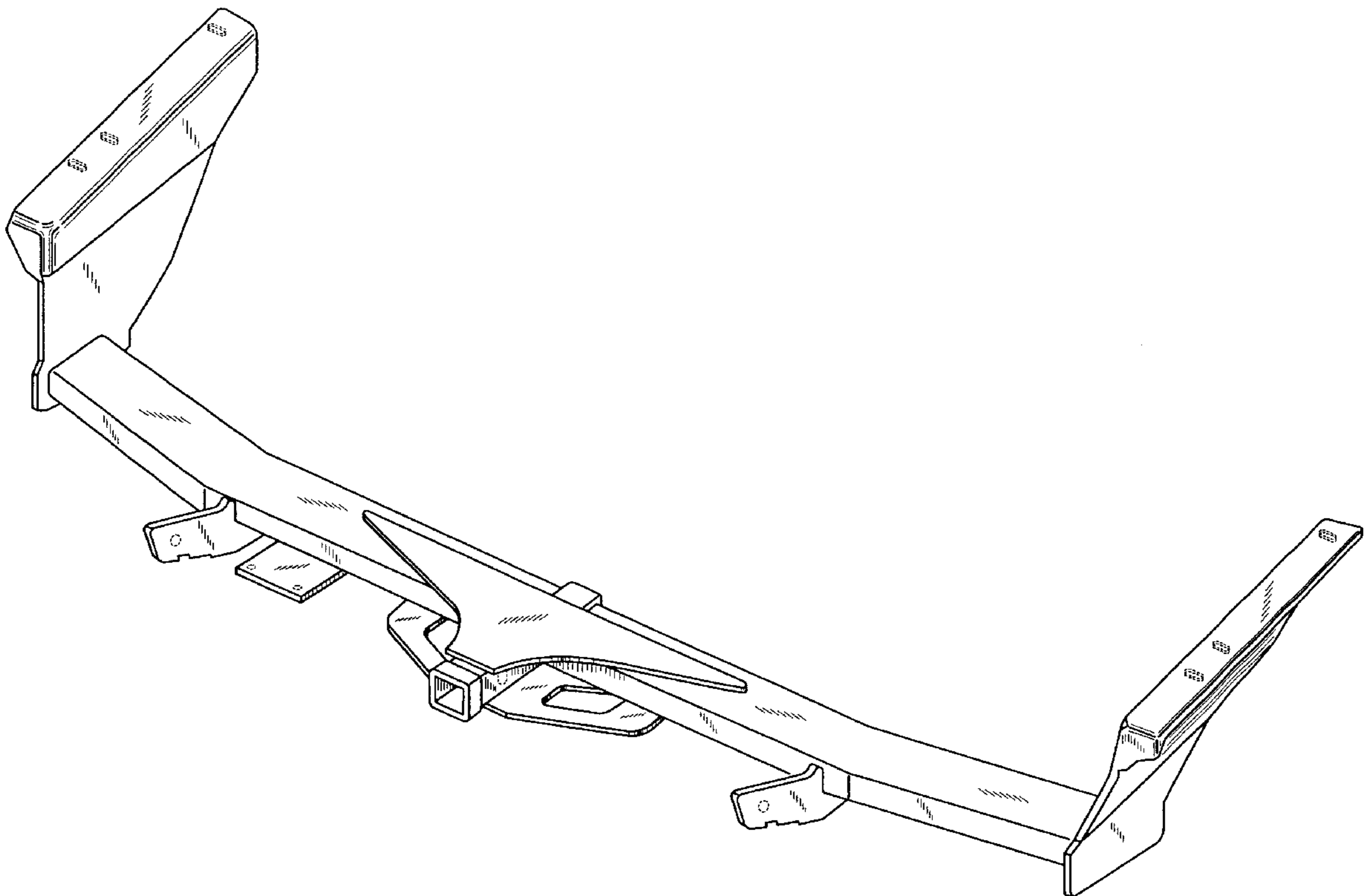
The ornamental design of a hitch receiver assembly with dual accessory brackets, as shown and described.

DESCRIPTION

FIG. 1 is a perspective view of the hitch receiver assembly with dual accessory brackets of the present invention; FIG. 2 is a front elevational view thereof; FIG. 3 is a left side elevational view thereof; FIG. 4 is a rear elevational view thereof; FIG. 5 is a right side elevational view thereof; FIG. 6 is a top plan view thereof; and, FIG. 7 is a bottom plan view thereof.

The broken line showing of environment is for illustrative purposes only and forms no part of the claimed design.

1 Claim, 5 Drawing Sheets



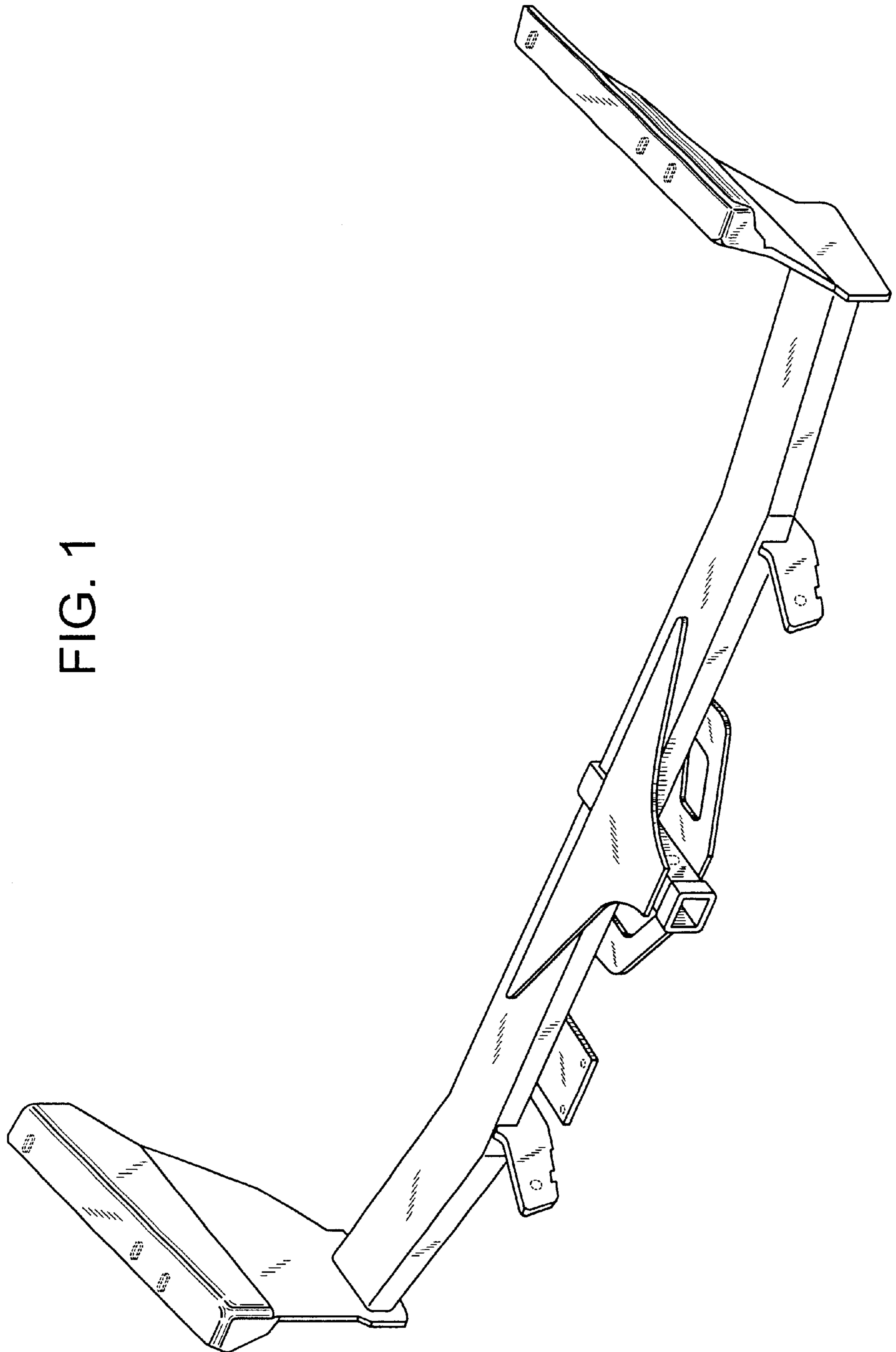


FIG. 1

FIG. 2

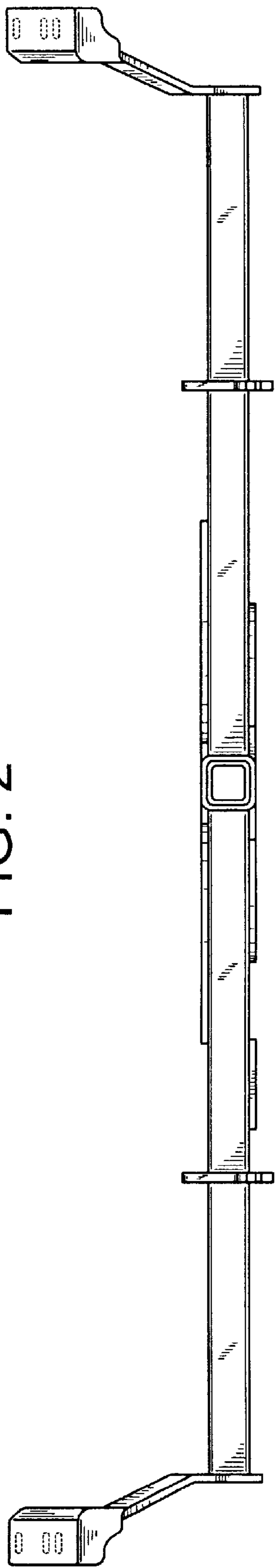


FIG. 3

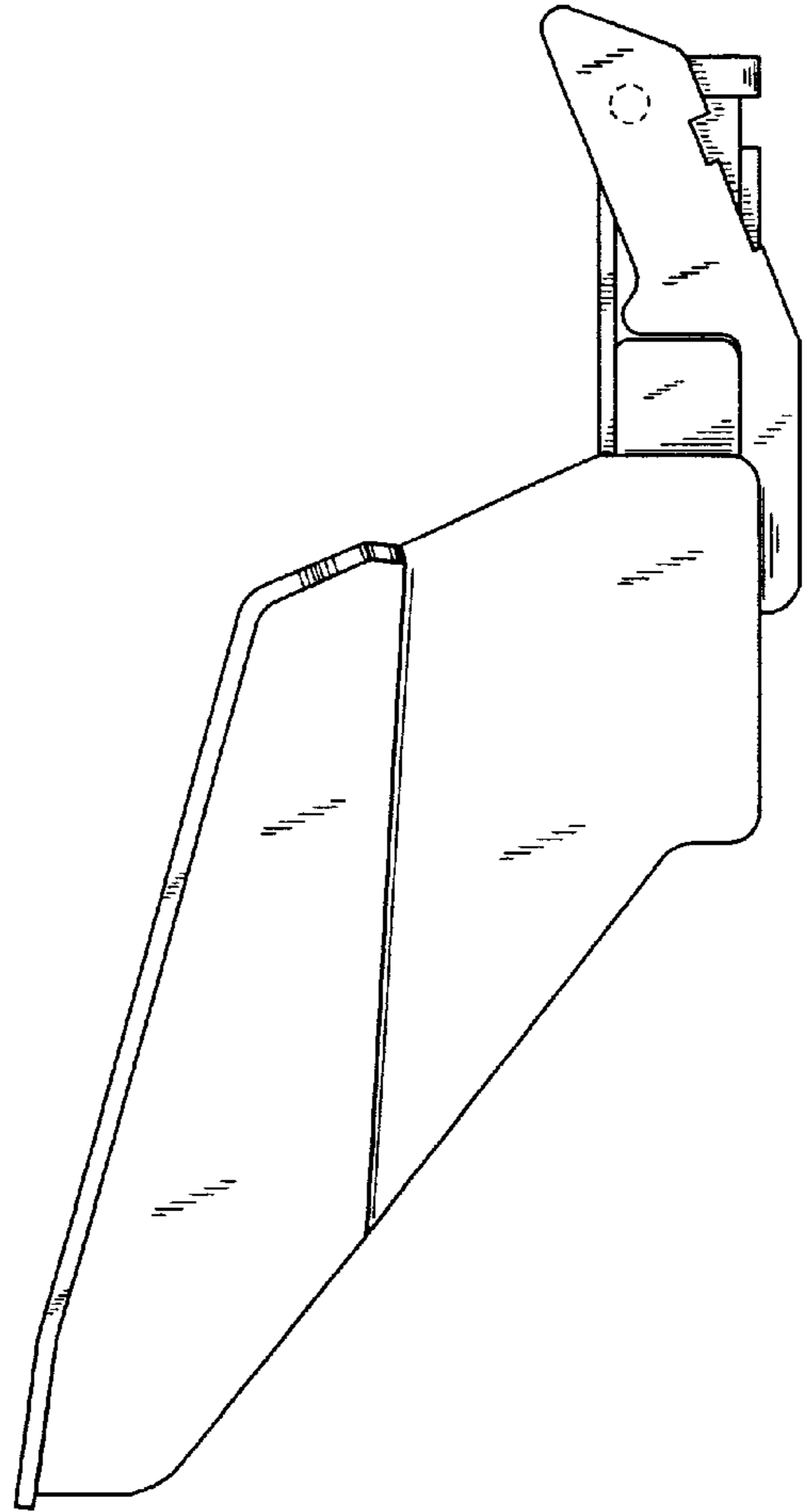


FIG. 4

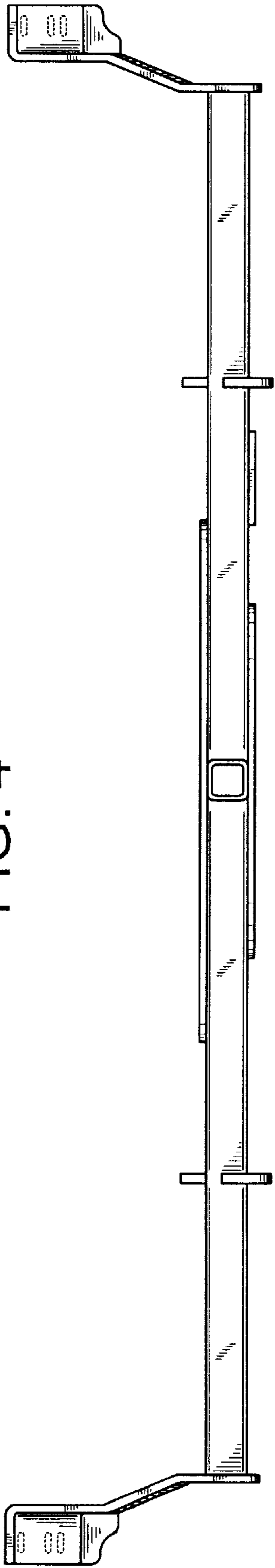


FIG. 5

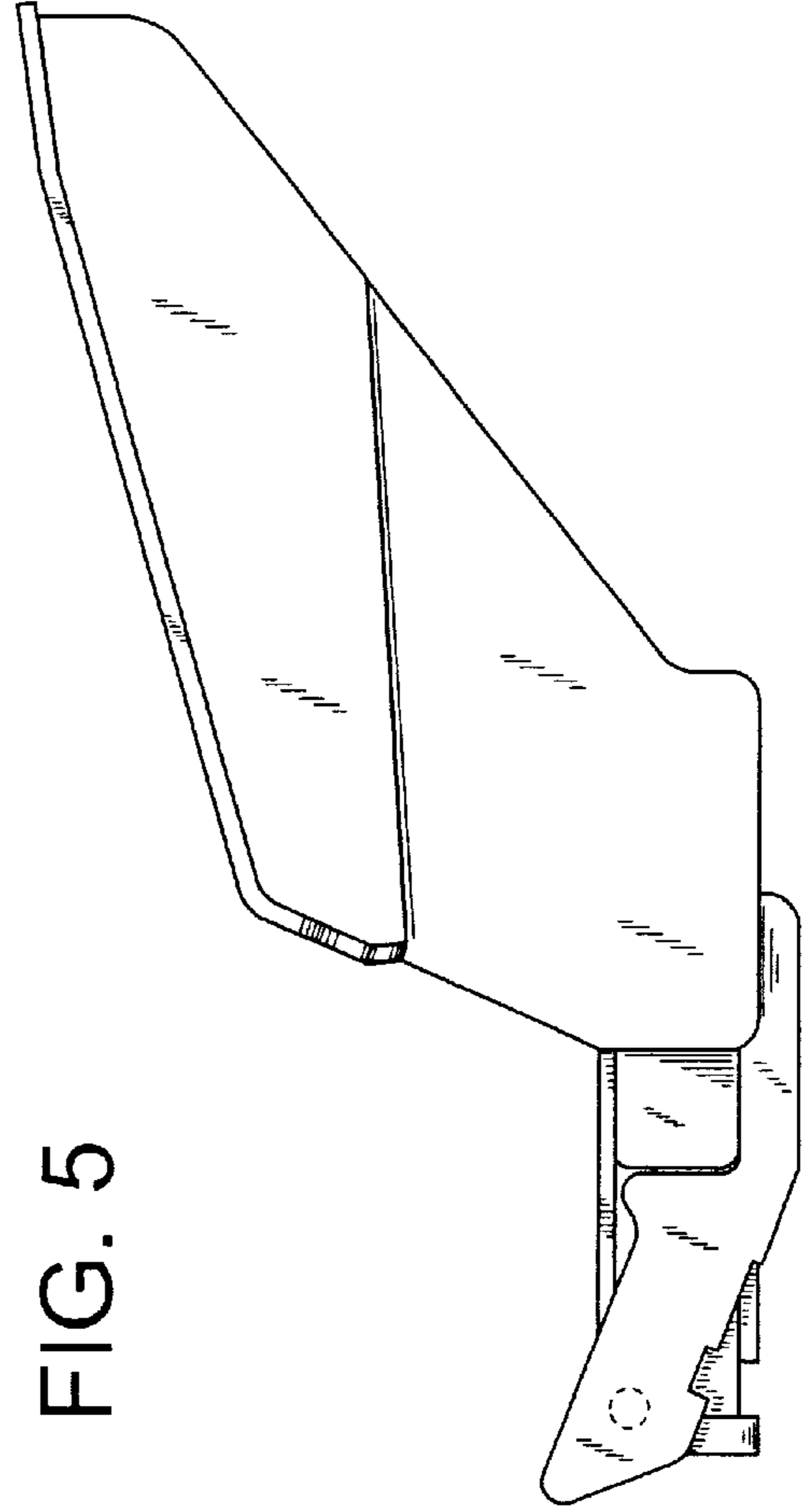


FIG. 6

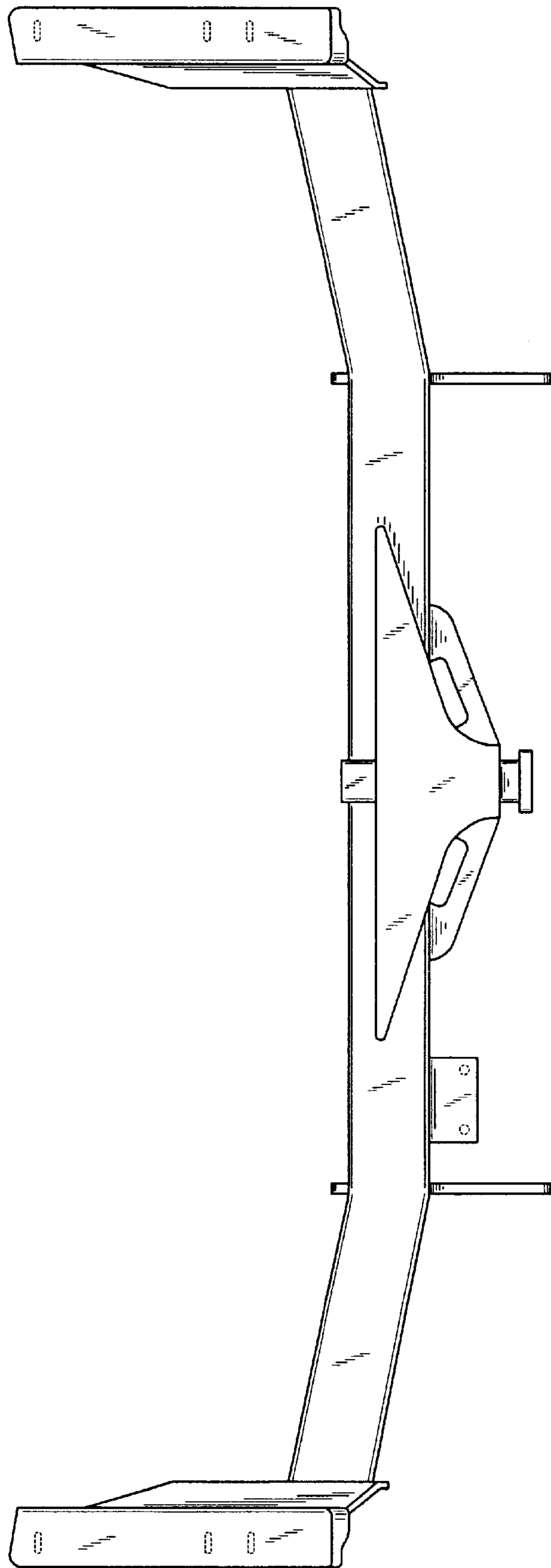


FIG. 7

