



US00D482990S

(12) **United States Design Patent**
Sims et al.

(10) **Patent No.:** **US D482,990 S**

(45) **Date of Patent:** **** Dec. 2, 2003**

(54) **AUTOMOBILE BODY**

D467,524 S * 12/2002 Desmond D12/92

(75) Inventors: **Daniel Sims**, Lakeforest, CA (US);
David O'Connell, Huntington Beach,
CA (US); **Michael Desmond**, Long
Beach, CA (US)

* cited by examiner

Primary Examiner—Melody N. Brown
(74) *Attorney, Agent, or Firm*—Birch, Stewart, Kolasch &
Birch, LLP

(73) Assignee: **Mitsubishi Jidosha Kogyo Kabushiki
Kaisha**, Tokyo (JP)

(57) **CLAIM**

(**) Term: **14 Years**

The ornamental design for an automobile body, as shown
and described.

(21) Appl. No.: **29/173,731**

DESCRIPTION

(22) Filed: **Jan. 6, 2003**

(51) **LOC (7) Cl.** **12-08**

(52) **U.S. Cl.** **D12/91**

(58) **Field of Search** D12/90-92, 86;
296/185

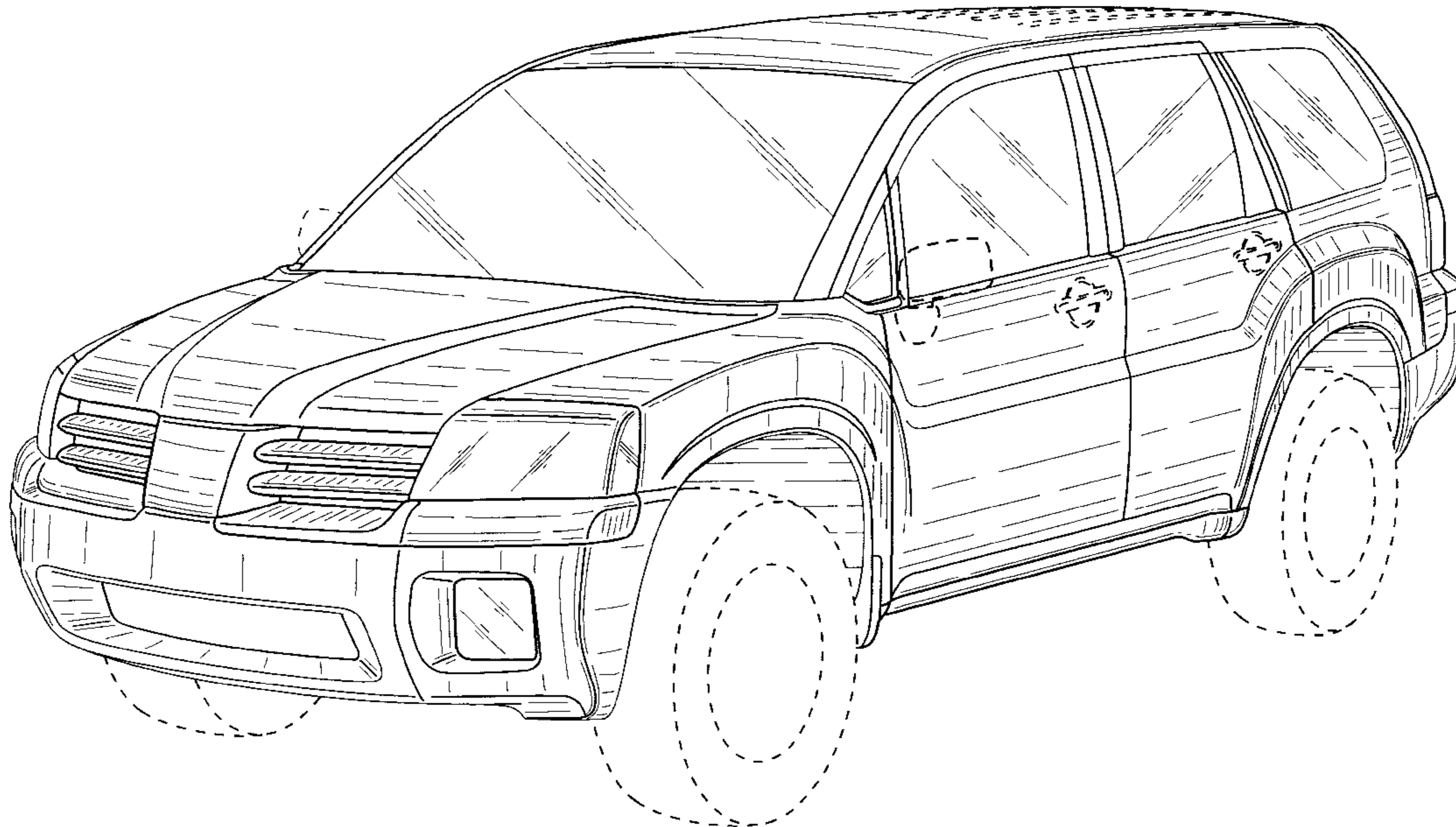
FIG. 1 is a front view of an automobile body constructed
according to our novel design;
FIG. 2 is a right side view thereof;
FIG. 3 is a left side view thereof;
FIG. 4 is a top plan view thereof;
FIG. 5 is a rear view thereof;
FIG. 6 is a front right elevational perspective view thereof;
and,
FIG. 7 is a rear elevational perspective view thereof.
The broken lines showing of environmental structure in
FIGS. 1-7 of the drawings are for illustrative purposes only
and form no part of the claimed design.

(56) **References Cited**

U.S. PATENT DOCUMENTS

- D451,845 S * 12/2001 Hull D12/92
- D455,984 S * 4/2002 Boulay D12/92
- D466,053 S * 11/2002 O'Connell et al. D12/91
- D466,054 S * 11/2002 Hsu D12/92

1 Claim, 7 Drawing Sheets



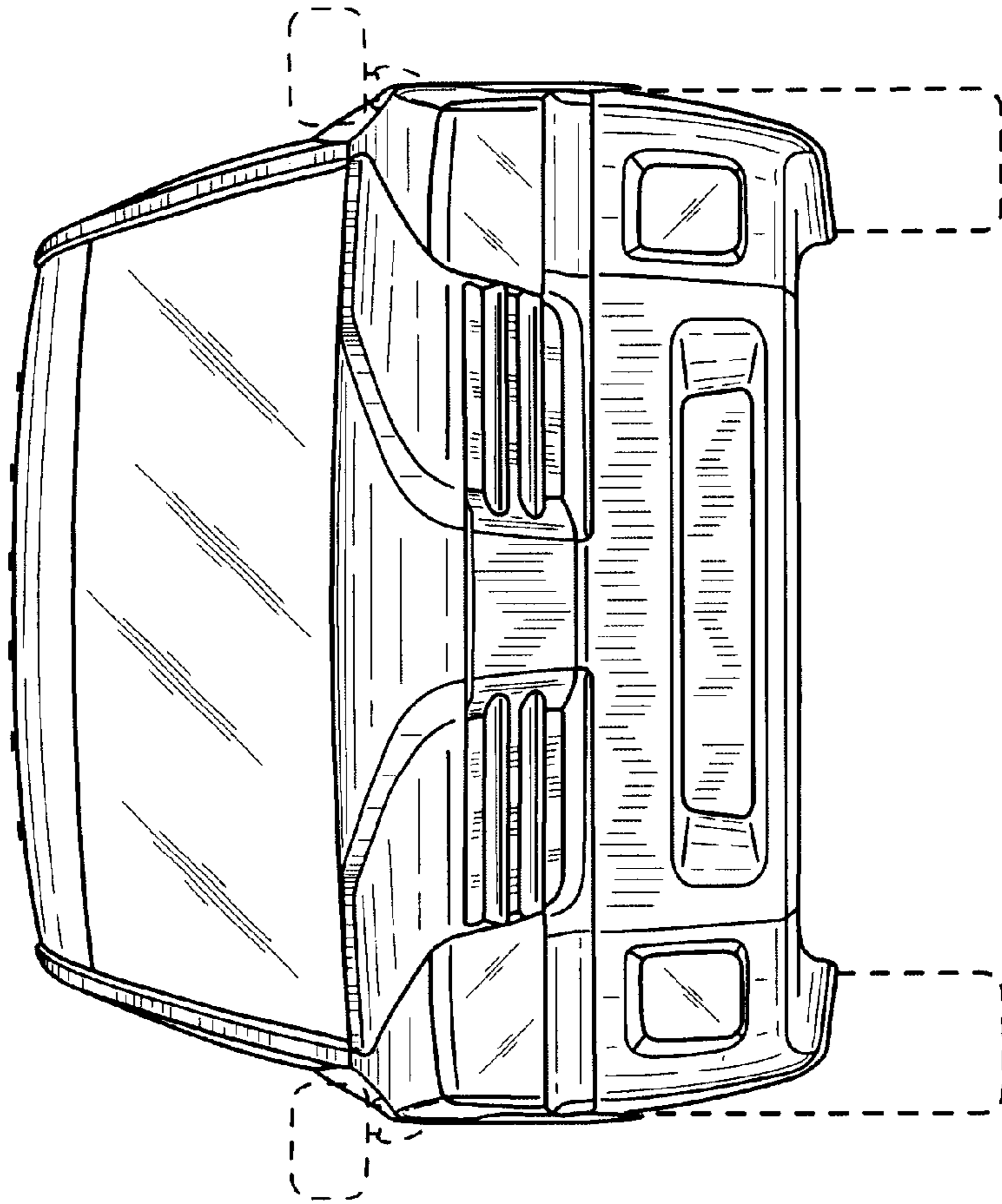


FIG. 1

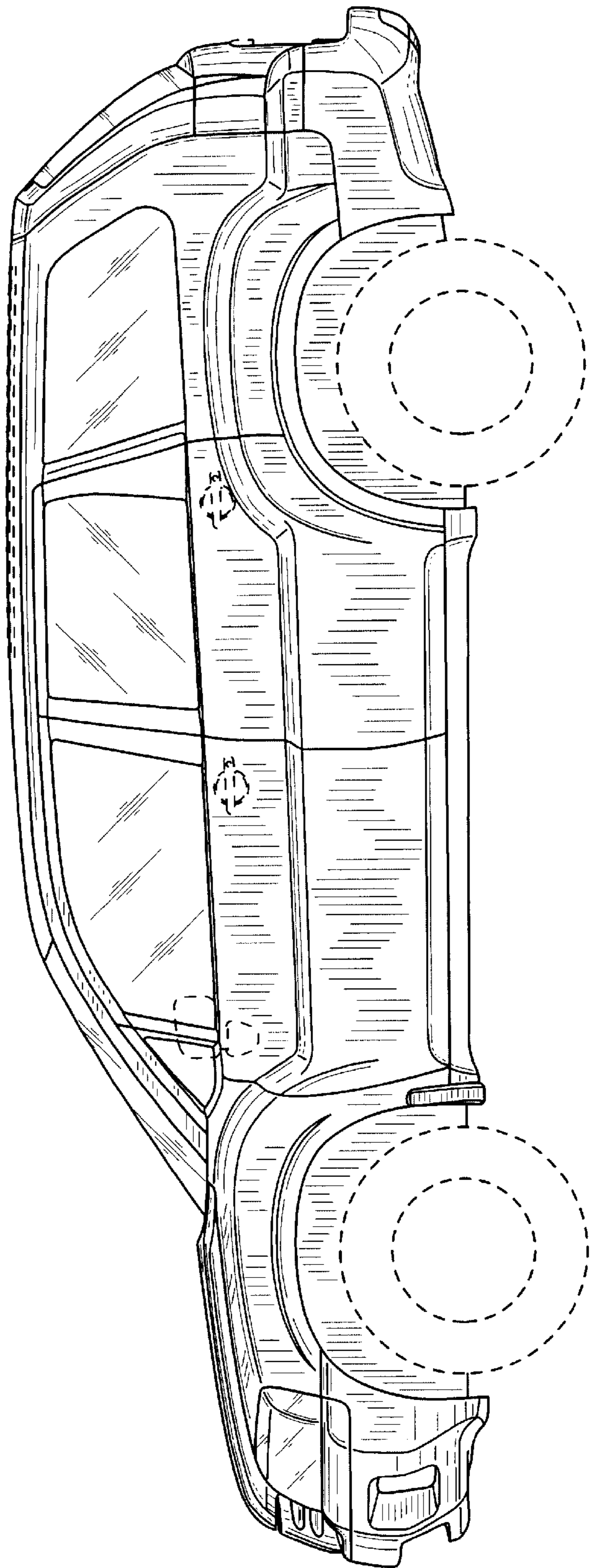


FIG. 2

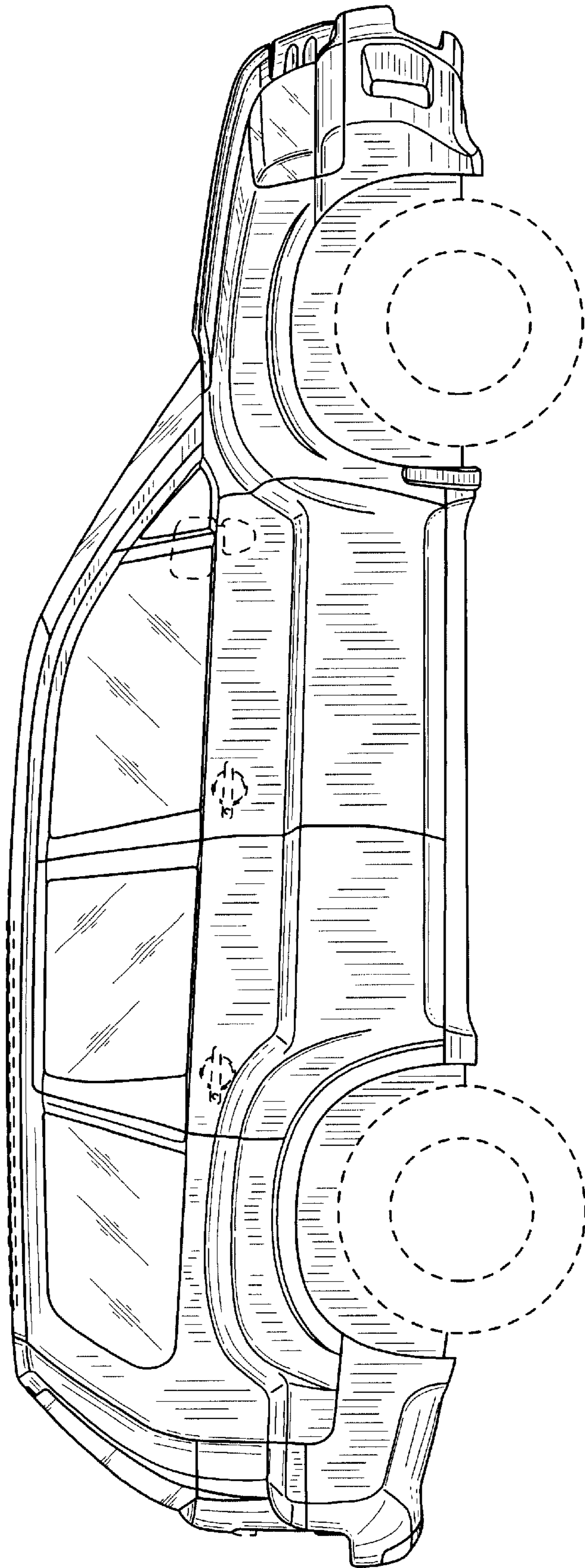


FIG. 3

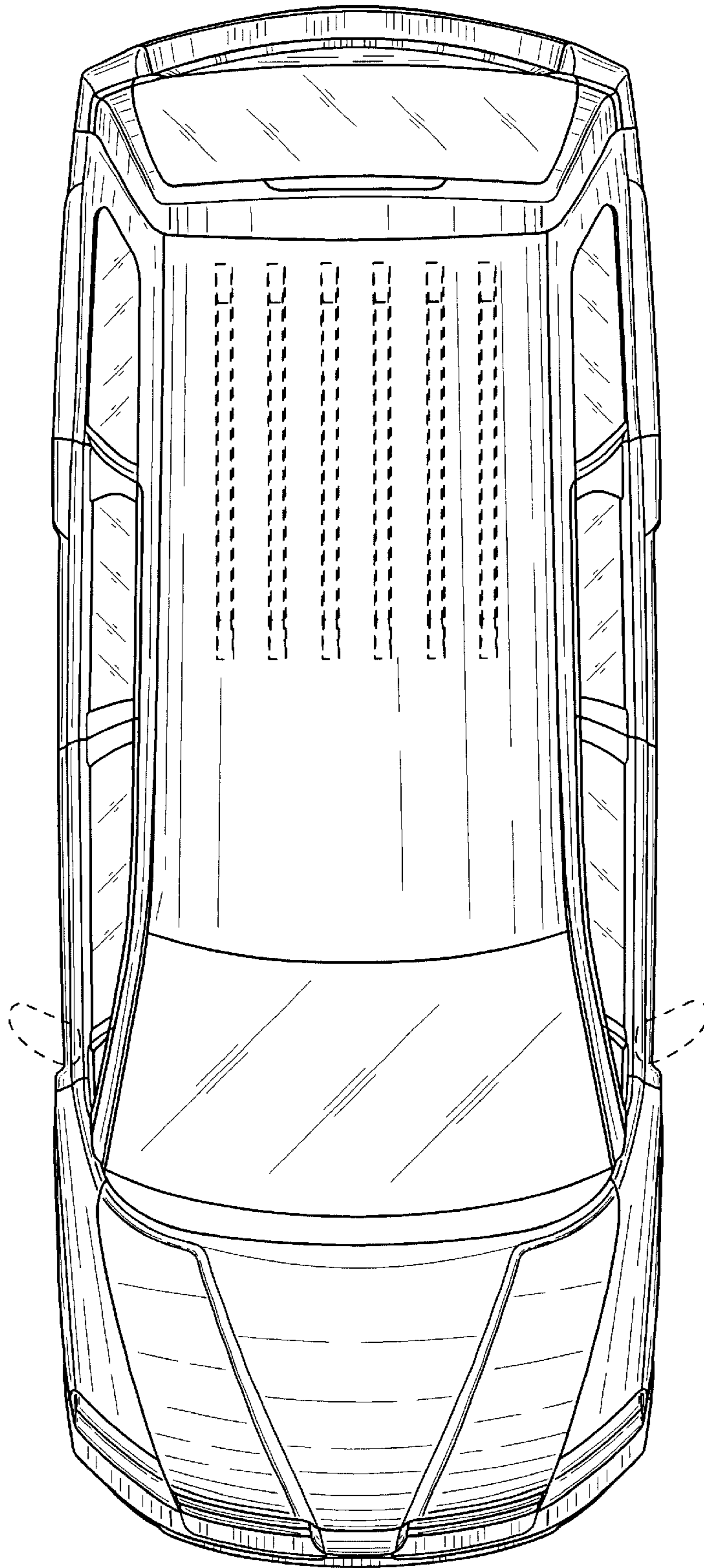


FIG. 4

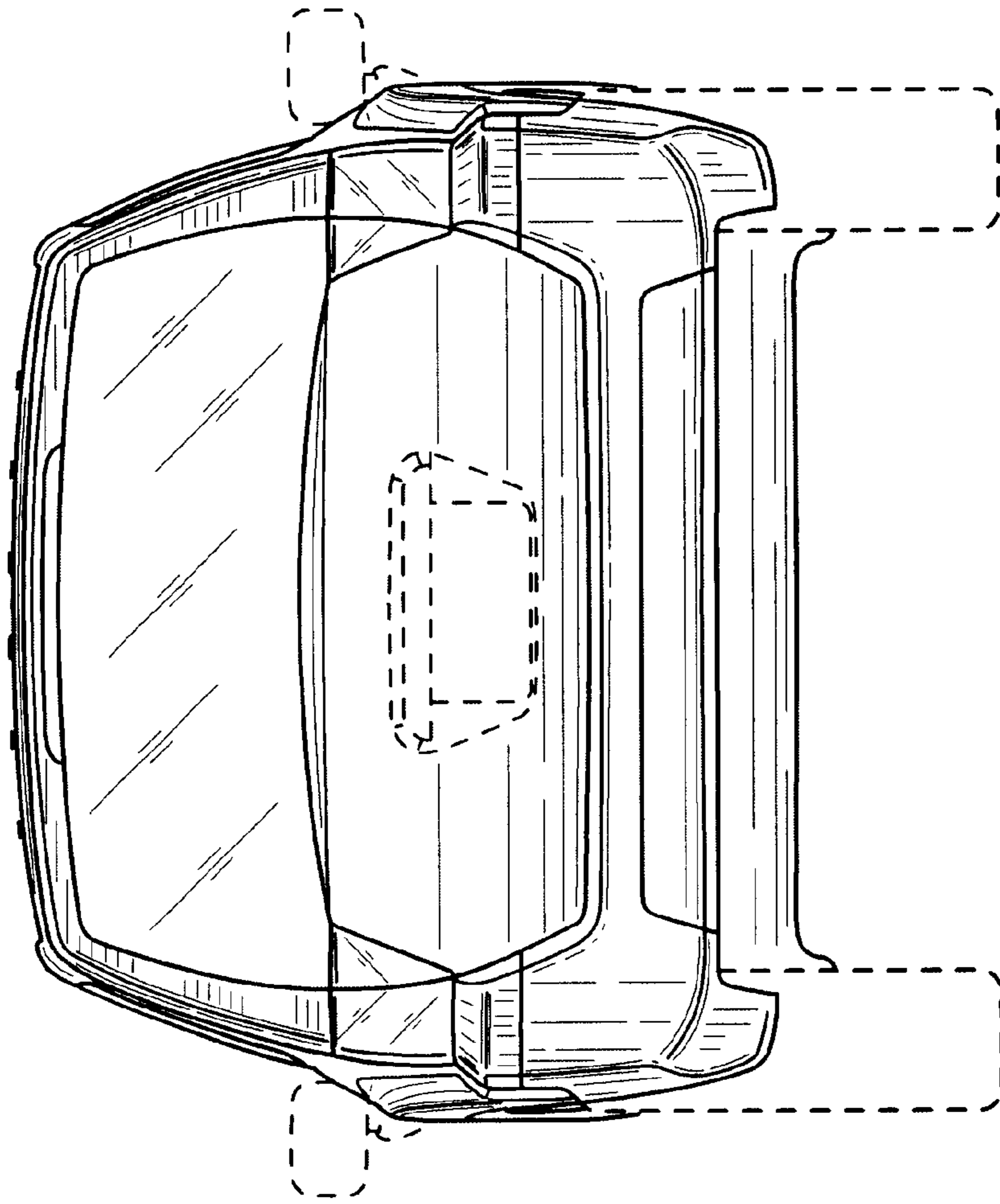


FIG. 5

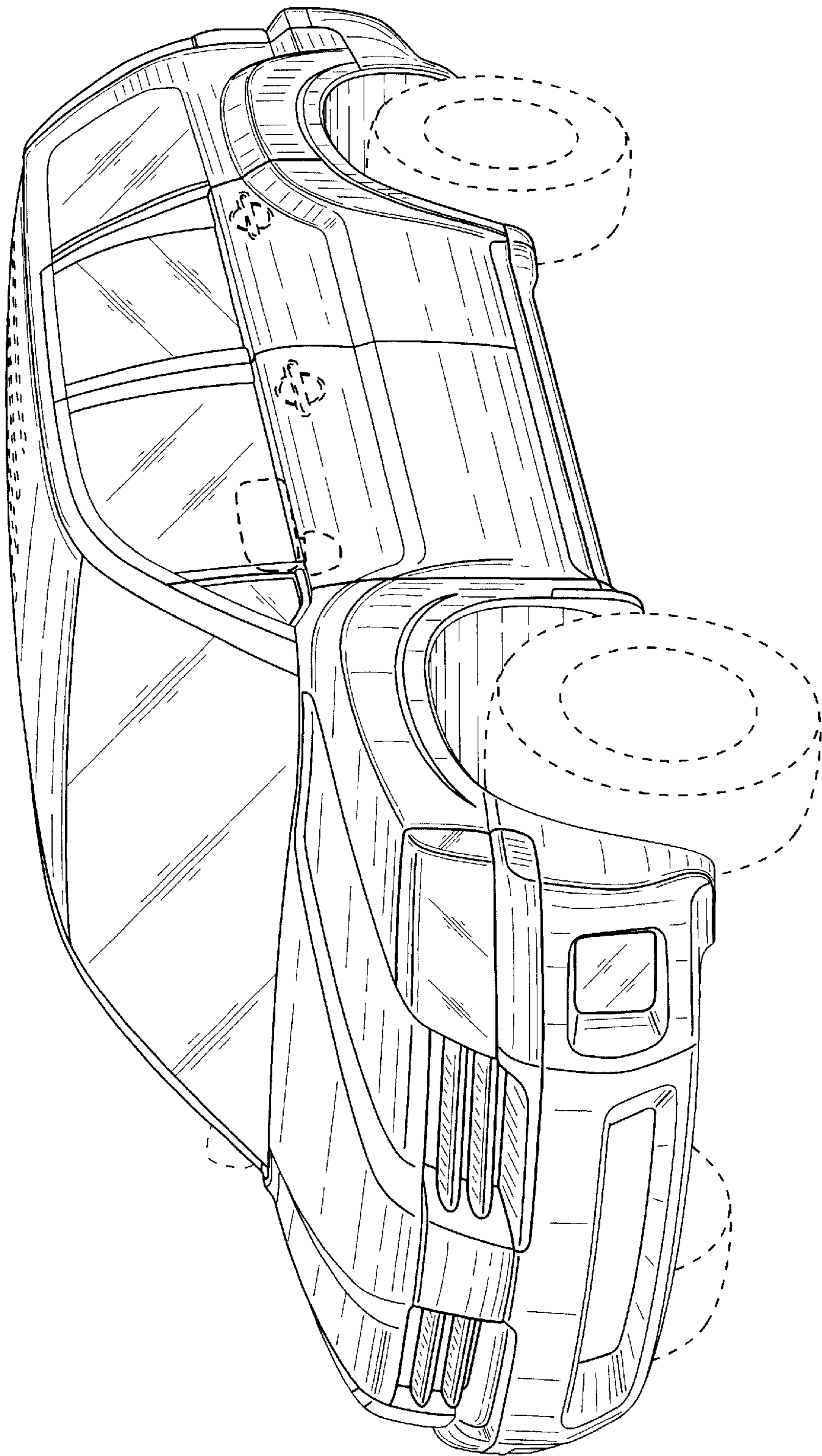


FIG. 6

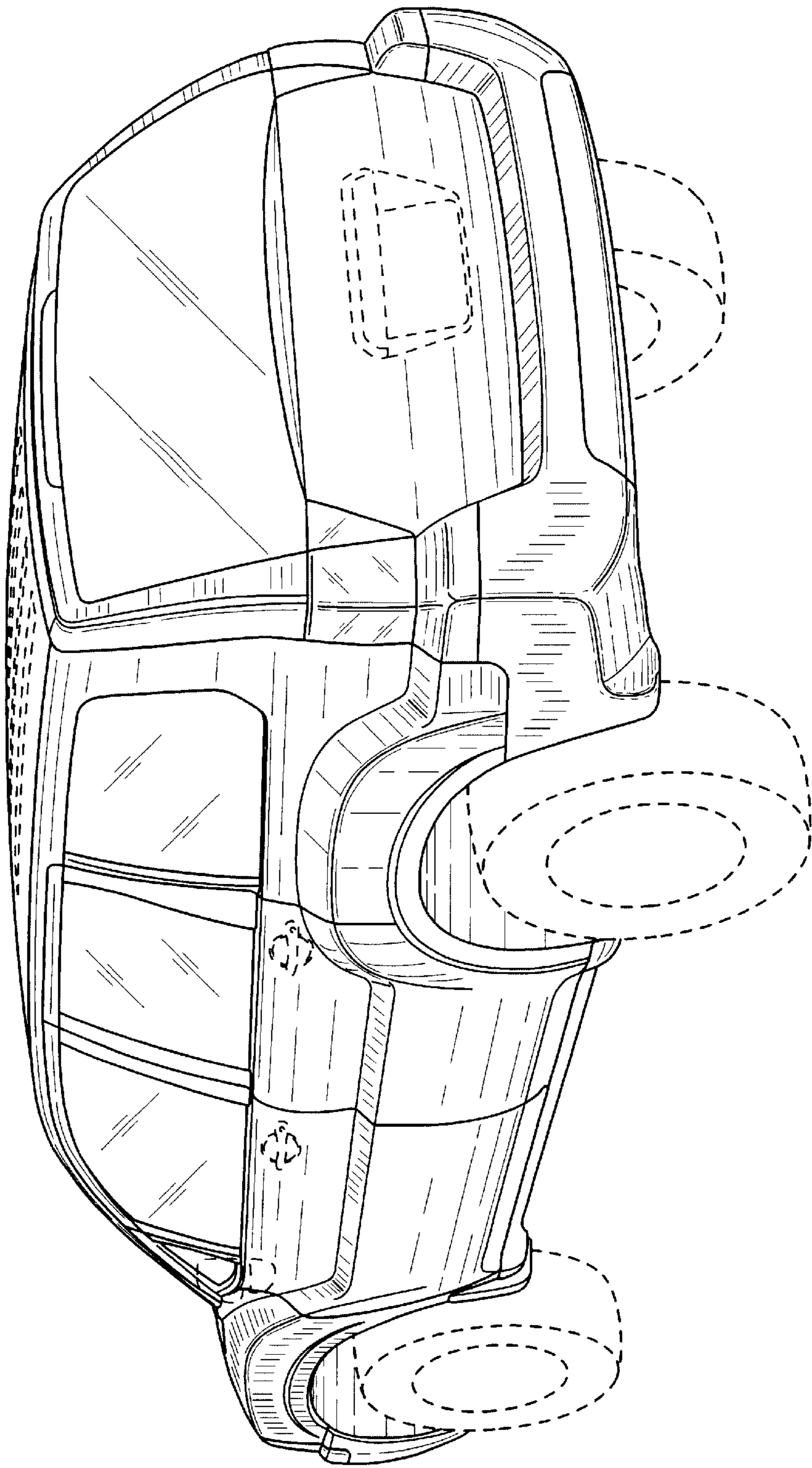


FIG. 7