



US00D482989S

(12) **United States Design Patent**
Walters

(10) **Patent No.:** **US D482,989 S**

(45) **Date of Patent:** **** Dec. 2, 2003**

(54) **VEHICLE BODY**

D451,051 S * 11/2001 Walters D12/86

(76) Inventor: **Tom Walters**, 7631 High Jackson Rd.,
Charlestown, IN (US) 47111

* cited by examiner

(**) Term: **14 Years**

Primary Examiner—Melody N. Brown
(74) *Attorney, Agent, or Firm*—Camoriano and Associates;
Theresa Fritz Camoriano

(21) Appl. No.: **29/174,473**

(57) **CLAIM**

(22) Filed: **Jan. 17, 2003**

The ornamental design for a vehicle body, as shown and described.

(51) **LOC (7) Cl.** **12-08**

(52) **U.S. Cl.** **D12/86**

(58) **Field of Search** D12/86, 1, 3, 87;
D21/423, 435; 296/185, 186

DESCRIPTION

(56) **References Cited**

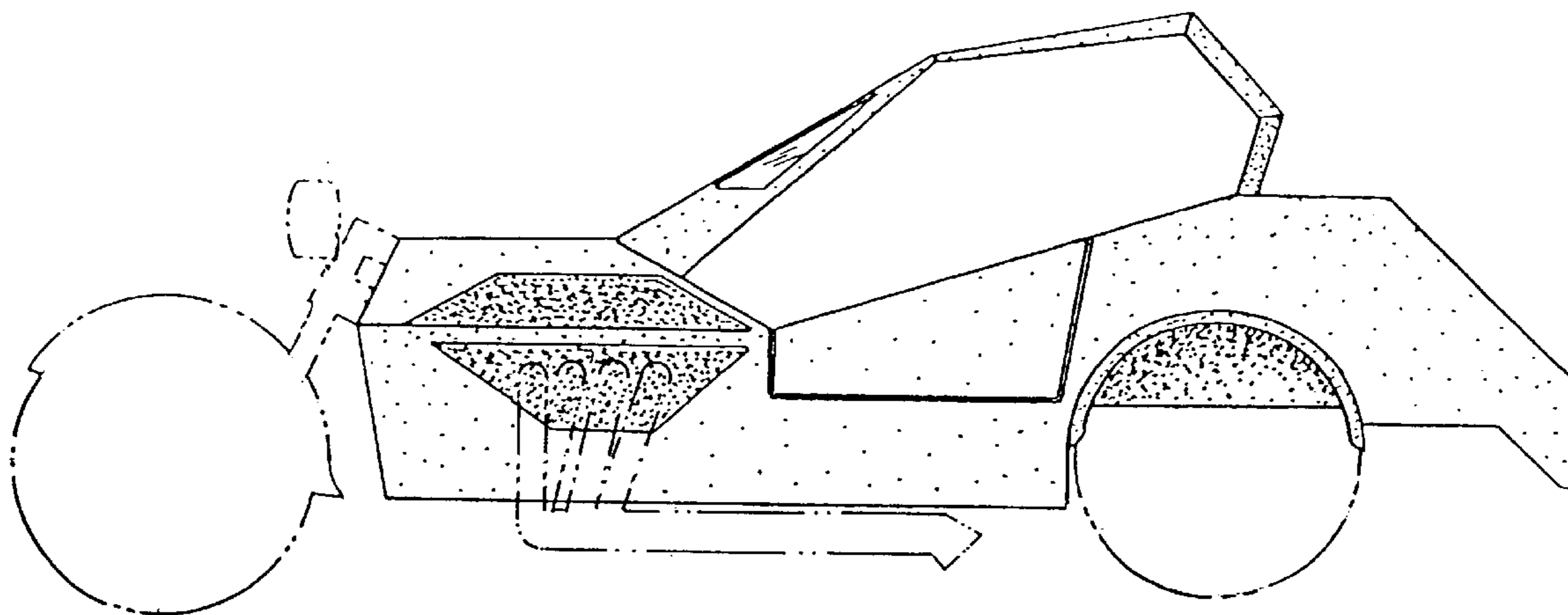
U.S. PATENT DOCUMENTS

D263,391 S	*	3/1982	Pivar	D12/86
D274,398 S	*	6/1984	Keyes	D12/86
D320,958 S	*	10/1991	Kimura et al.	D12/86
D356,285 S	*	3/1995	Yang	D12/86
D407,348 S	*	3/1999	Riley	D12/86

FIG. 1 is a right side view of a vehicle body showing my design and is a mirror image of the left side thereof;
FIG. 2 is a front view thereof;
FIG. 3 is a rear view thereof; and,
FIG. 4 is a top view thereof.

The wheels shown in broken lines in FIG. 1 are for illustrative purposes only and form no part of the claimed design.

1 Claim, 2 Drawing Sheets



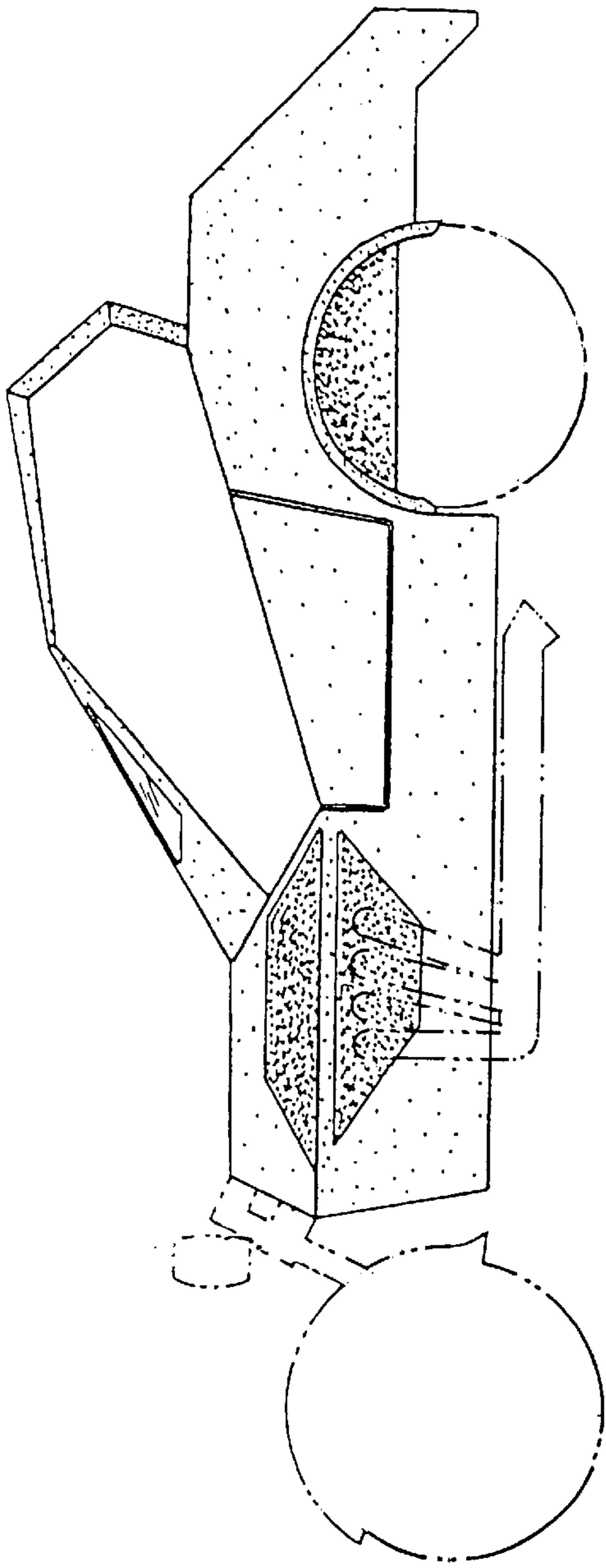


FIG. 1

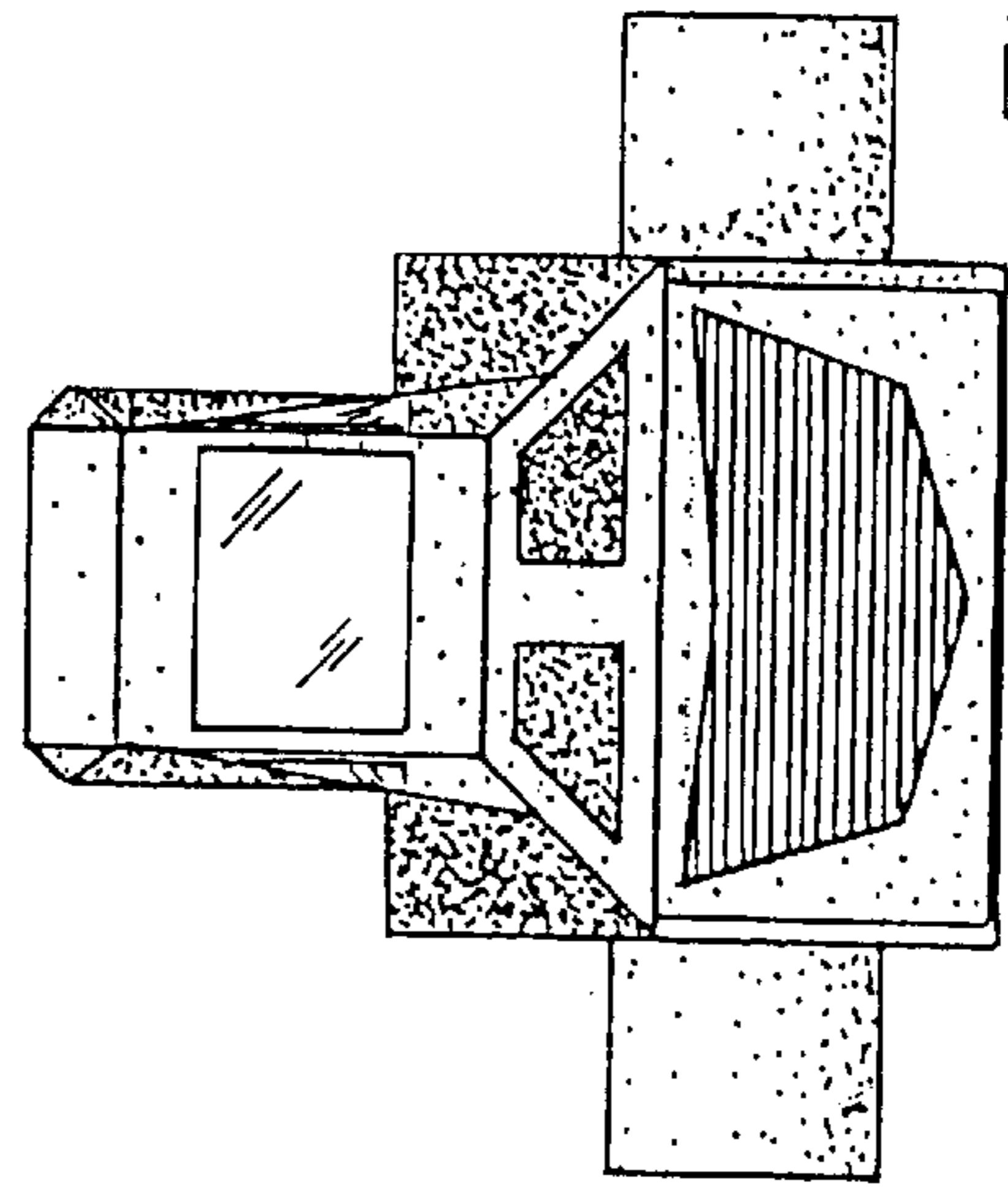


FIG. 2

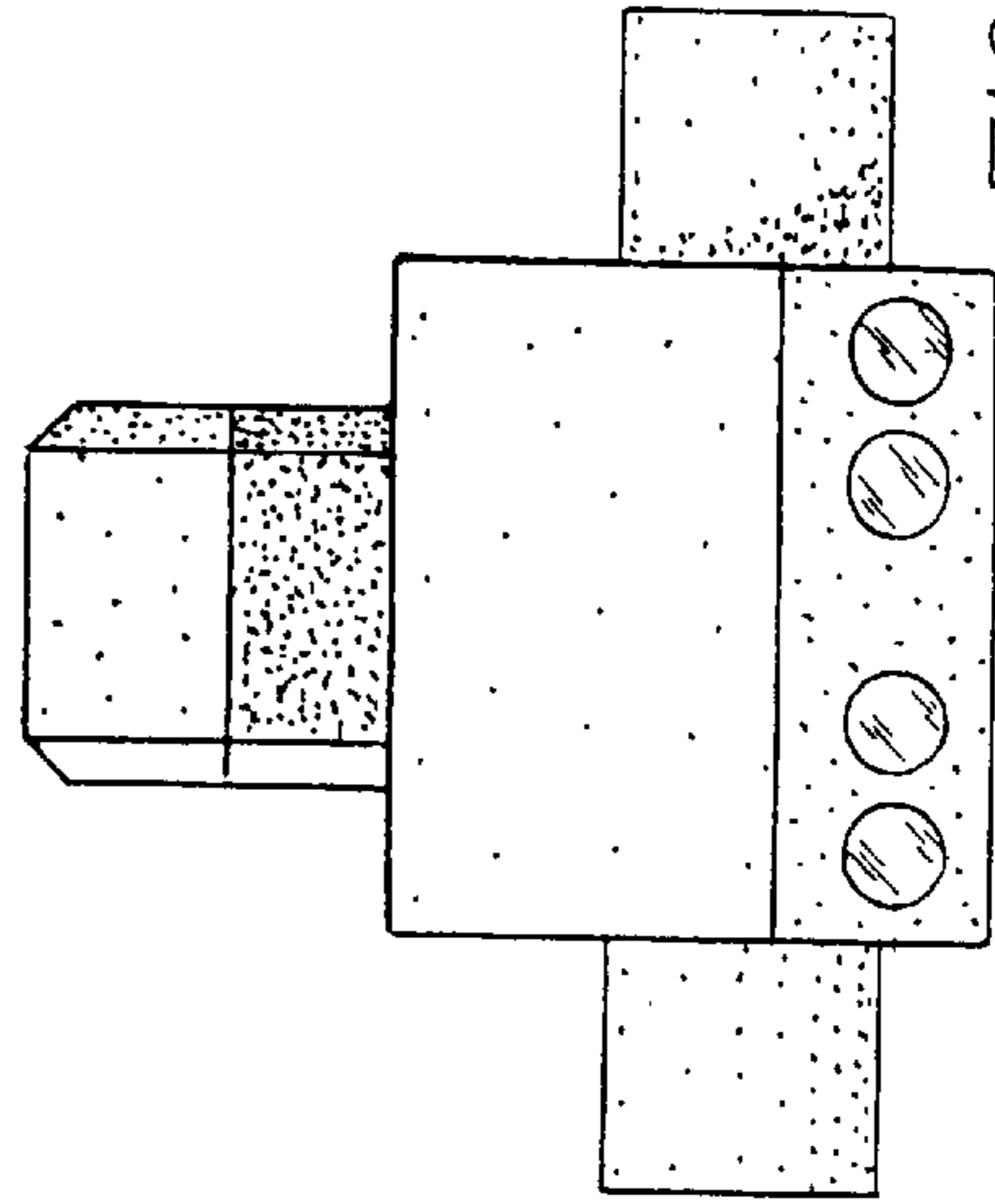


FIG. 3

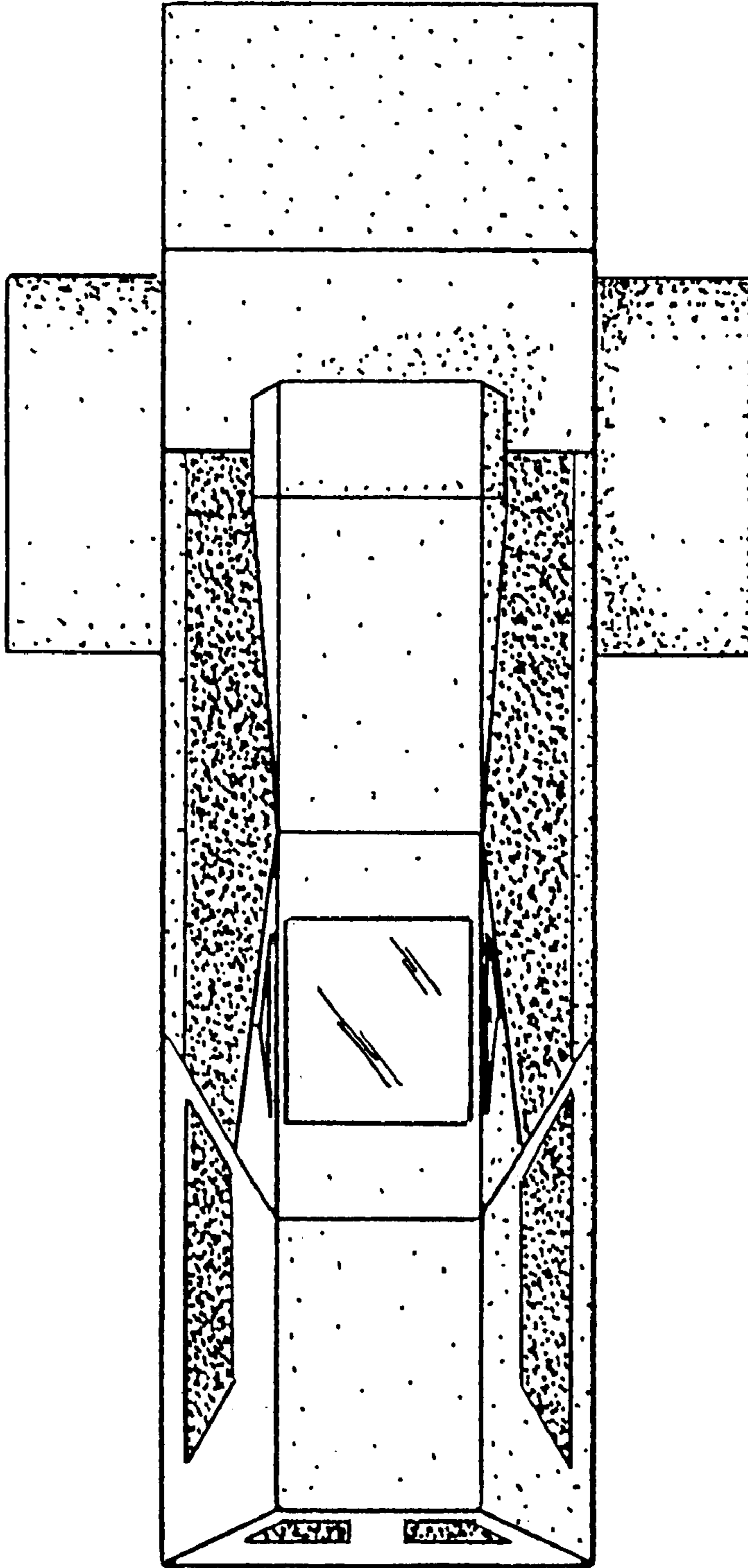


FIG. 4