



US00D482980S

(12) **United States Design Patent**
Enersen

(10) **Patent No.:** **US D482,980 S**

(45) **Date of Patent:** **** Dec. 2, 2003**

(54) **PROFILE FOR ESCAPE ROUTE MARKING**

(75) Inventor: **Rolf N. Enersen**, Eidsvoll (NO)

(73) Assignee: **Everglow AS**, Eidsvoll (NO)

(**) Term: **14 Years**

(21) Appl. No.: **29/169,991**

(22) Filed: **Oct. 29, 2002**

(51) **LOC (7) Cl.** **10-05**

(52) **U.S. Cl.** **D10/113**

(58) **Field of Search** D10/109, 111,
D10/113; 40/541, 542, 543, 544, 546, 549,
559, 612; 116/202, 209, 240, DIG. 5

(56) **References Cited**

U.S. PATENT DOCUMENTS

4,401,050	A	*	8/1983	Britt et al.	116/205
5,612,665	A	*	3/1997	Gerhardsen	116/205 X
5,724,909	A	*	3/1998	Pitman et al.	40/542 X
6,237,266	B1	*	5/2001	Tassey et al.	40/542

* cited by examiner

Primary Examiner—Antoine Duval Davis

(74) *Attorney, Agent, or Firm*—Ladas & Parry

(57) **CLAIM**

I claim the ornamental design for profile for escape route marking, as shown and described.

DESCRIPTION

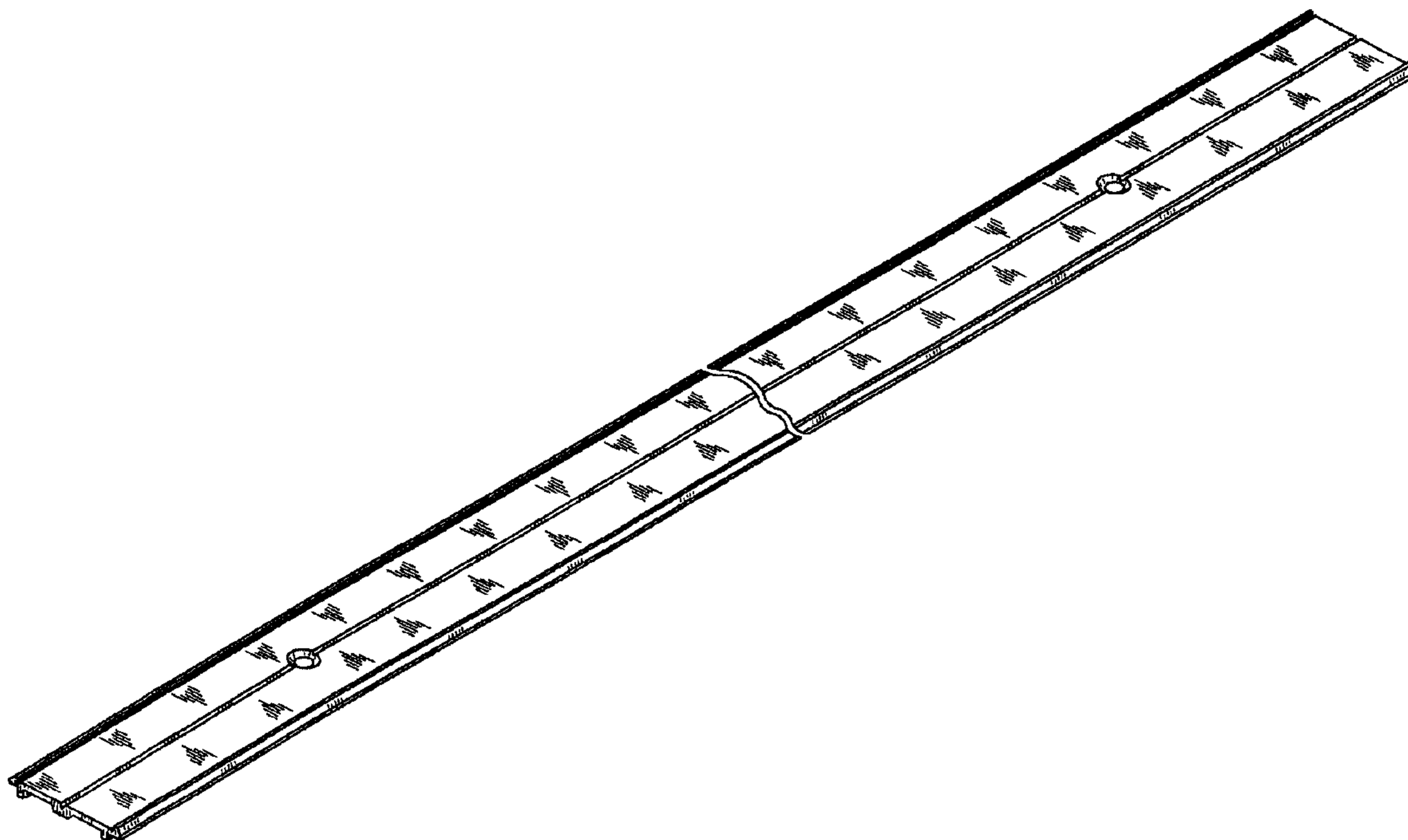
FIG. 1 is a front end elevational view of a profile for escape route marking showing my new design, the rear elevational view being a mirror image and, therefore, not shown;

FIG. 2 is a front/top/right-side perspective view thereof, the rear/top/left-side perspective view being a mirror image and, therefore, not shown;

FIG. 3 is a front/bottom/right-side perspective view thereof, the rear/bottom/left-side perspective view being a mirror image and, therefore, not shown; and,

FIG. 4 is a front/top/right-side perspective view thereof on flooring and partly covered with a marking panel for use, the flooring and marking panel being disclaimed.

1 Claim, 4 Drawing Sheets



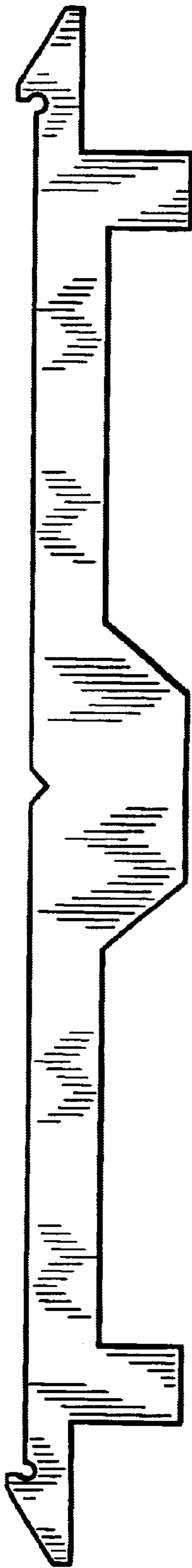


FIG. 1

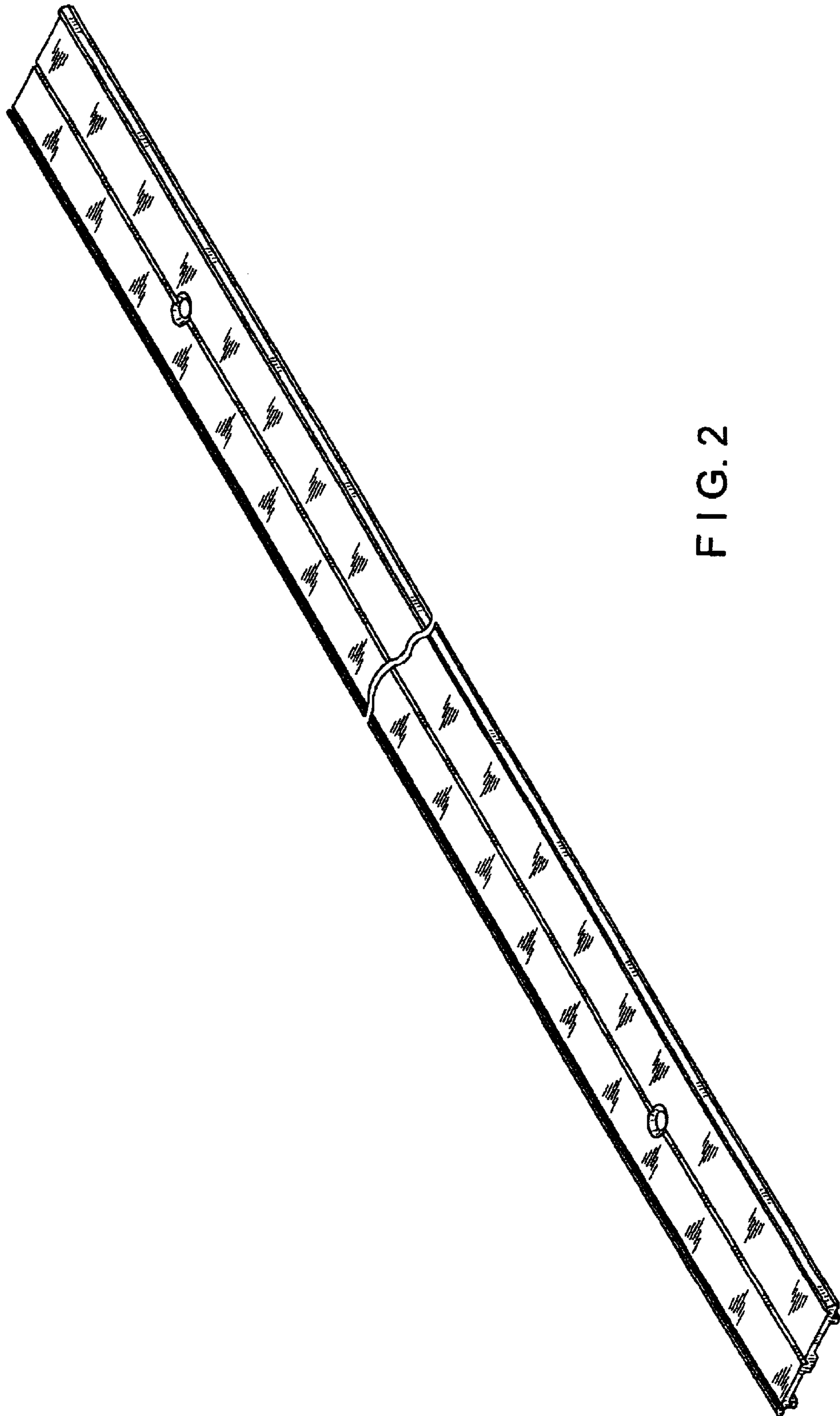


FIG. 2

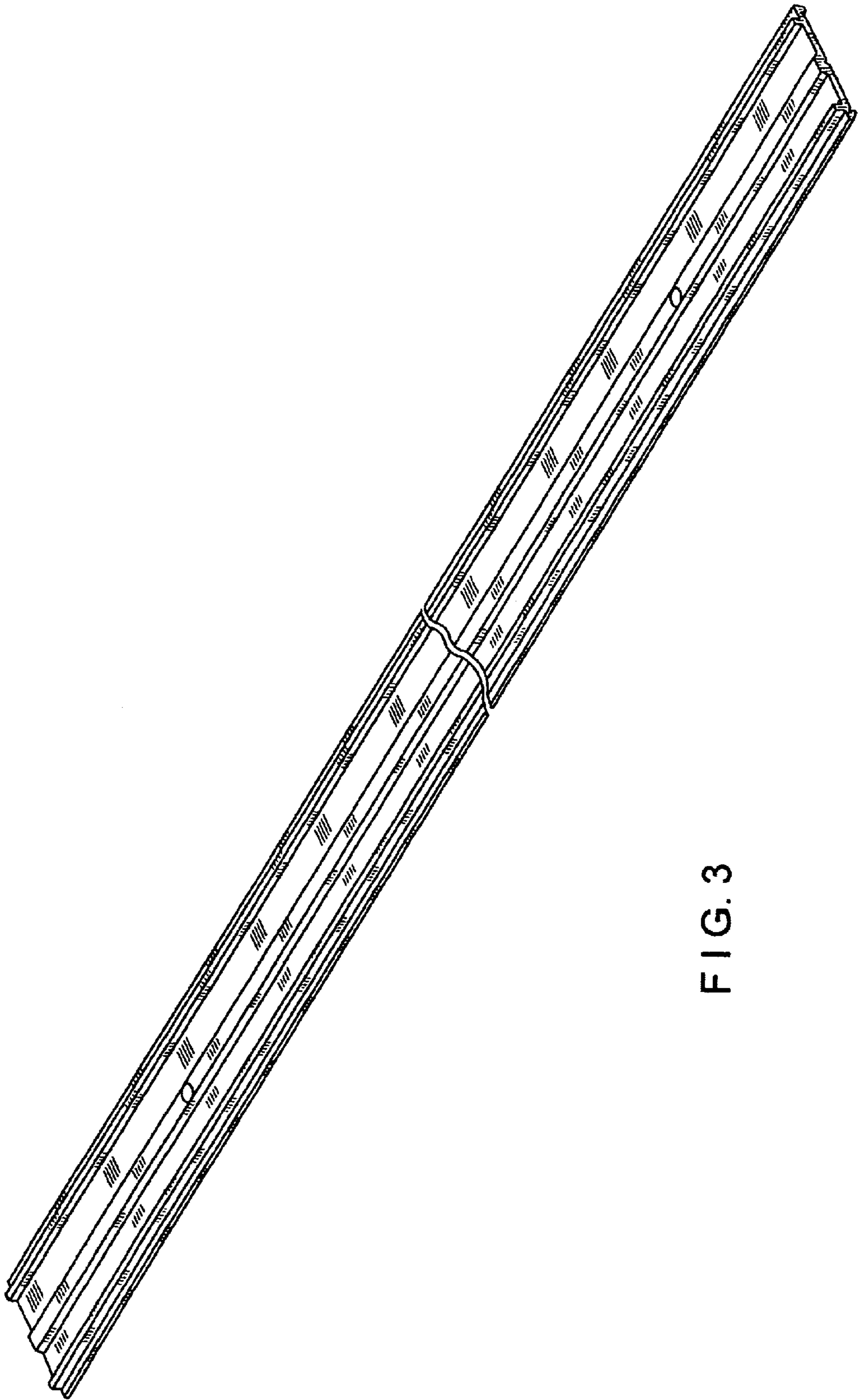


FIG. 3

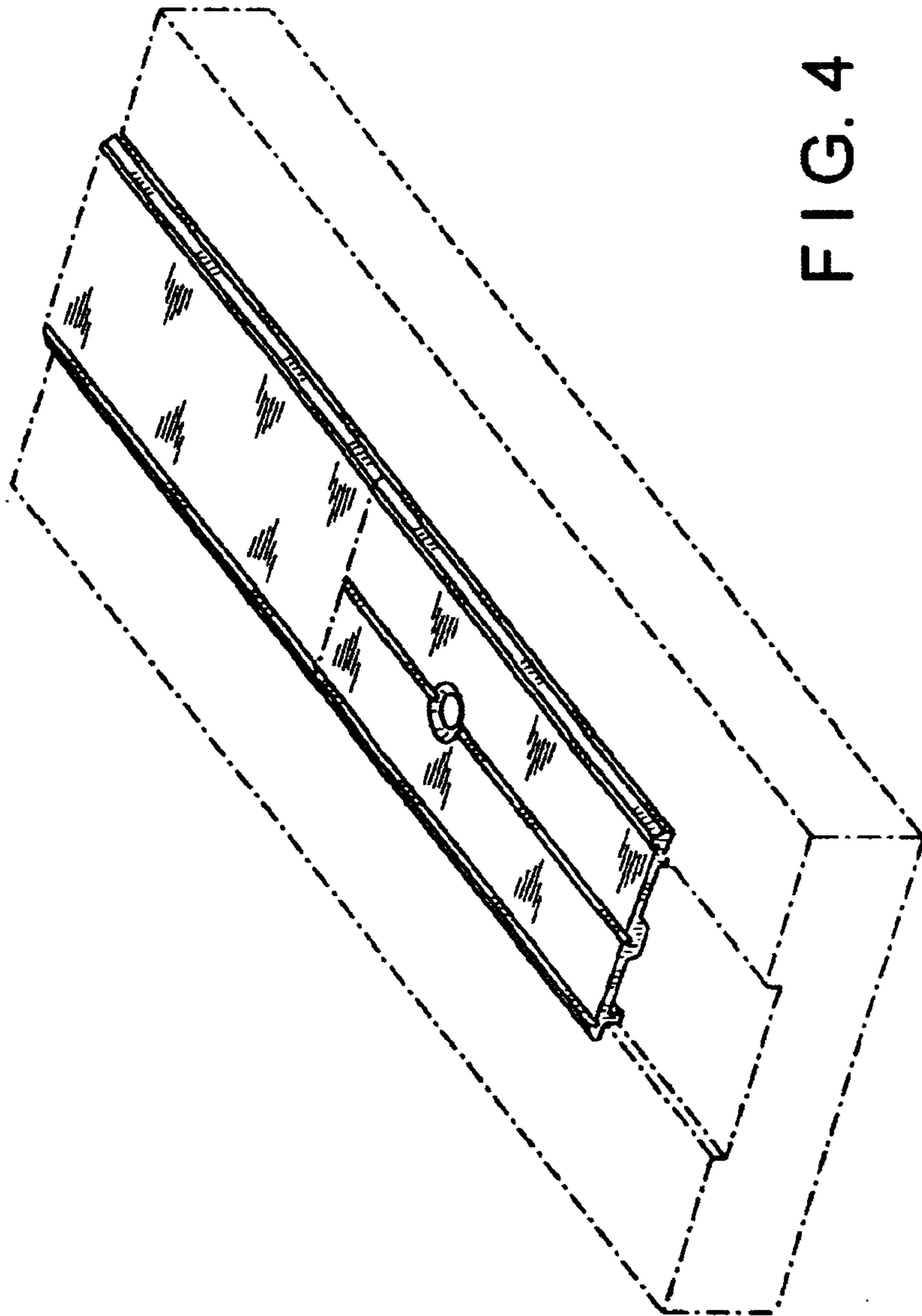


FIG. 4