



US00D482979S

(12) **United States Design Patent** (10) **Patent No.:** **US D482,979 S**
So (45) **Date of Patent:** **** Dec. 2, 2003**

(54) **RECEIVER FOR AN ANIMAL TRAINING DEVICE**

Primary Examiner—Nelson C. Holtje
(74) *Attorney, Agent, or Firm*—Sheridan Ross P.C.

(76) **Inventor:** **Ho Yun So**, 8-1006 Kwangjang Apt.,
28 Youido-dong, Yongdungpo-gu, Seoul
150-762 (KR)

(57) **CLAIM**

The ornamental design for a receiver for an animal training device, as shown and described.

(**) **Term:** **14 Years**

DESCRIPTION

(21) **Appl. No.:** **29/176,977**

(22) **Filed:** **Feb. 3, 2003**

(51) **LOC (7) Cl.** **10-05**

(52) **U.S. Cl.** **D10/104**

(58) **Field of Search** D10/104, 106;
119/718–720; 340/573, 541, 548, 551–2,
555, 561, 571–573.3

FIG. 1 is a perspective view of a receiver for an animal training device showing my new design;

FIG. 2 is a front elevation view of the invention illustrated in FIG. 1;

FIG. 3 is a rear elevation view of the invention illustrated in FIG. 1;

(56) **References Cited**

U.S. PATENT DOCUMENTS

4,202,293	A	5/1980	Gonda et al.	119/29
5,193,484	A	3/1993	Gonda	119/29
D376,553	S	* 12/1996	Heun	D10/104
D380,692	S	* 7/1997	Heun	D10/104
D400,458	S	* 11/1998	Titus et al.	D10/104
5,857,433	A	1/1999	Files	119/720
D410,206	S	* 5/1999	Slater	D10/104
5,913,284	A	6/1999	Van Curen et al.	119/720
6,019,066	A	2/2000	Taylor	119/720
6,073,589	A	* 6/2000	Curen et al.	119/720
D445,707	S	* 7/2001	Zakhakyan	D10/104
D469,029	S	1/2003	So	D10/104
D473,481	S	4/2003	So	D10/104
2002/0139565	A1	10/2002	Bradford	174/188

FIG. 4 is a left elevation view of the invention illustrated in FIG. 1;

FIG. 5 is a right elevation view of the invention illustrated in FIG. 1;

FIG. 6 is a top plan view of the invention illustrated in FIG. 1;

OTHER PUBLICATIONS

U.S. patent application Ser. No. 29/175,398, So, filed Feb. 3, 2003.

U.S. patent application Ser. No. 29/175,404, So, filed Feb. 3, 2003.

FIG. 7 is a bottom plan view of the invention illustrated in FIG. 1; and,

FIG. 8 is a front perspective view of the receiver for an animal training device of FIG. 1 shown with an attachment mechanism, the broken lines showing environment for illustrative purposes only and forming no part of the claimed design.

* cited by examiner

1 Claim, 5 Drawing Sheets

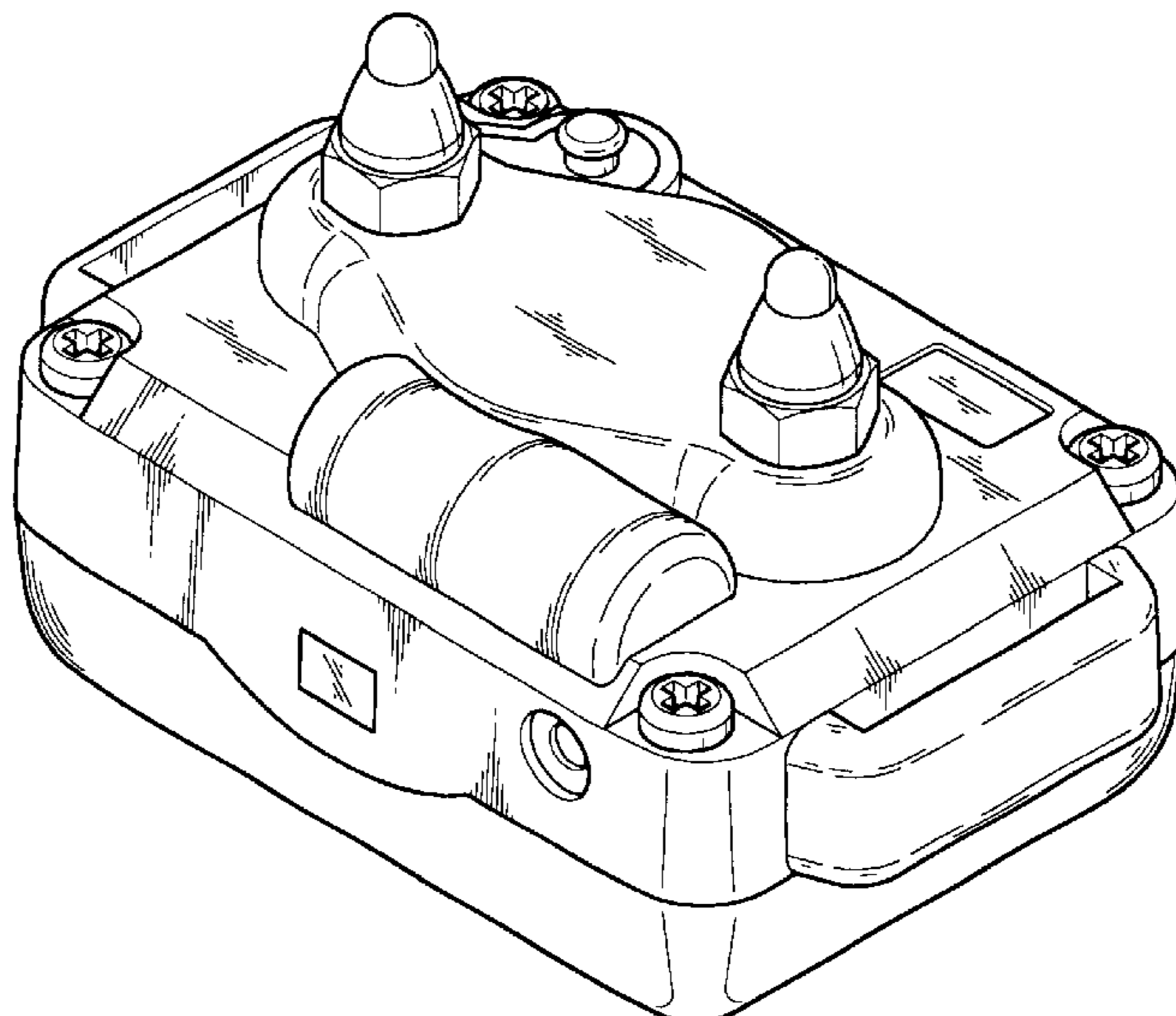


FIG. 1

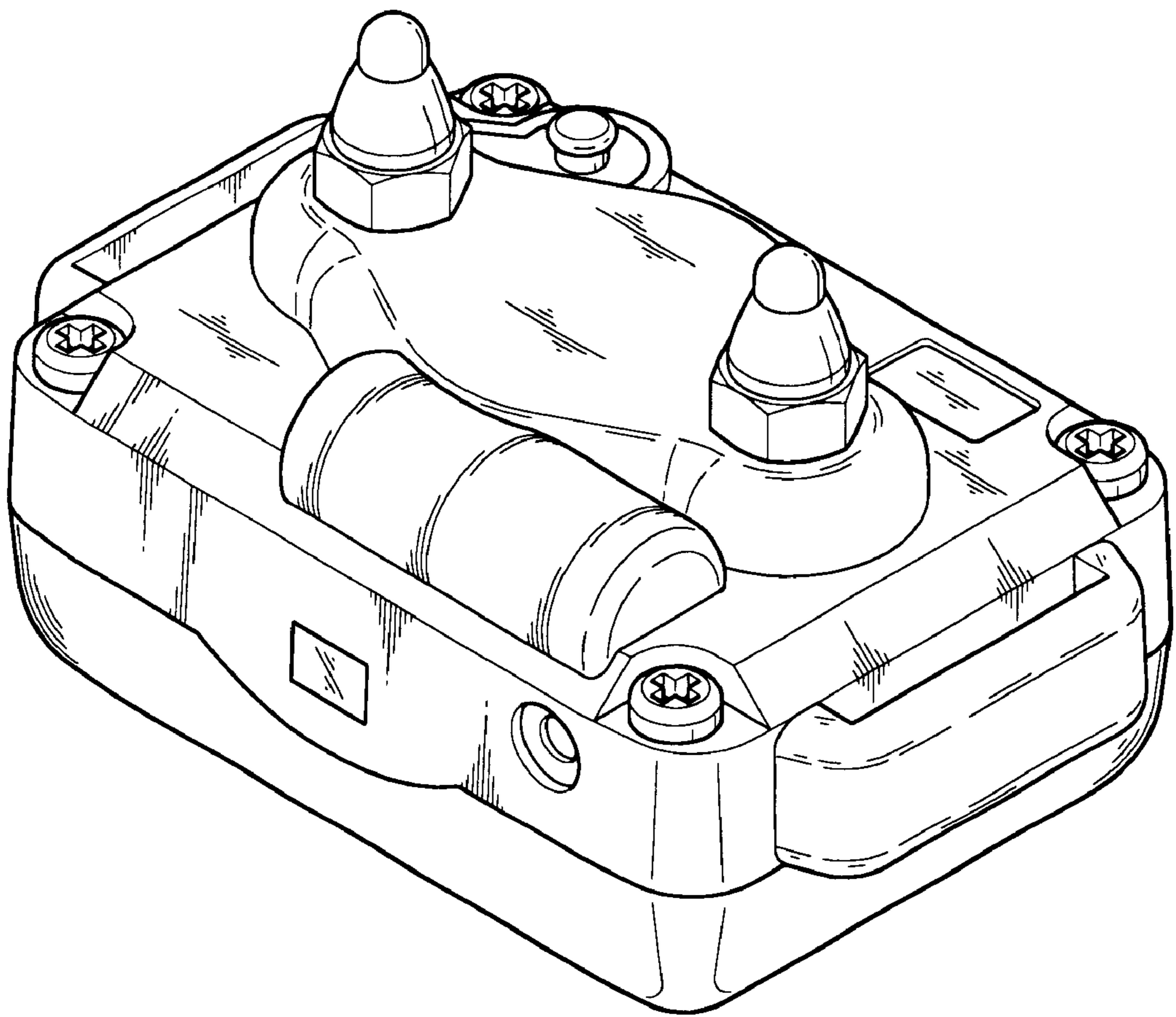


FIG. 2

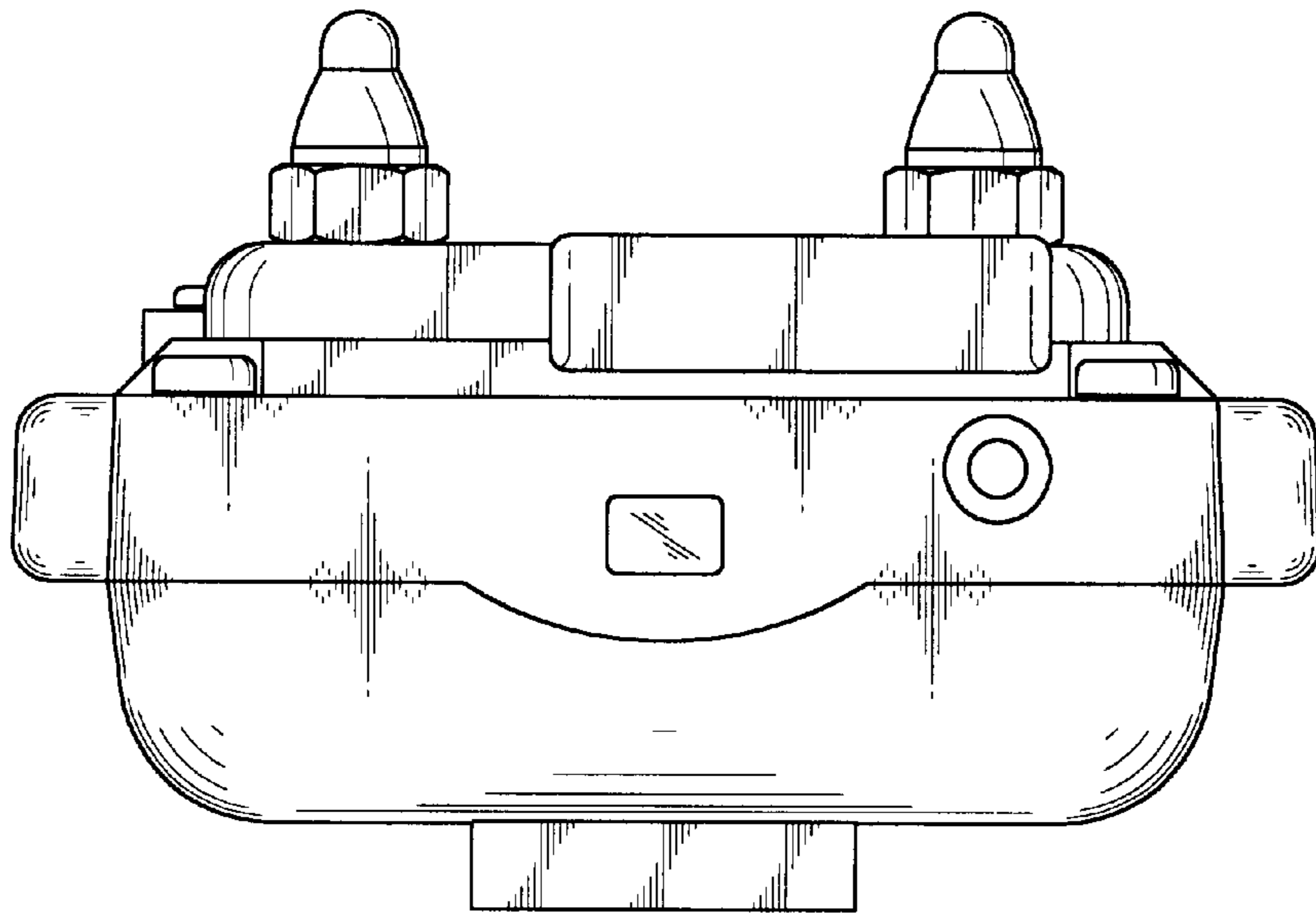


FIG. 3

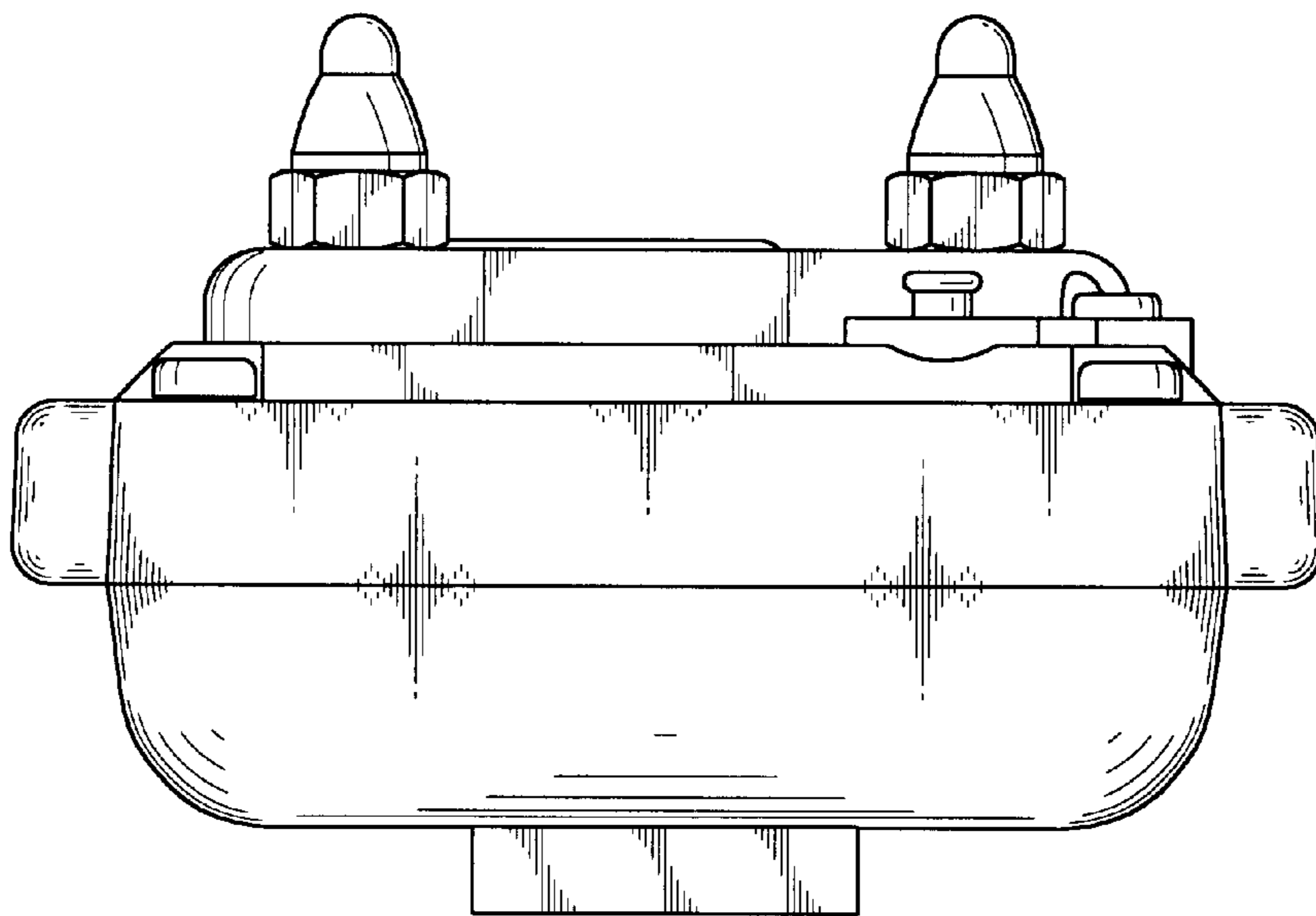


FIG. 4

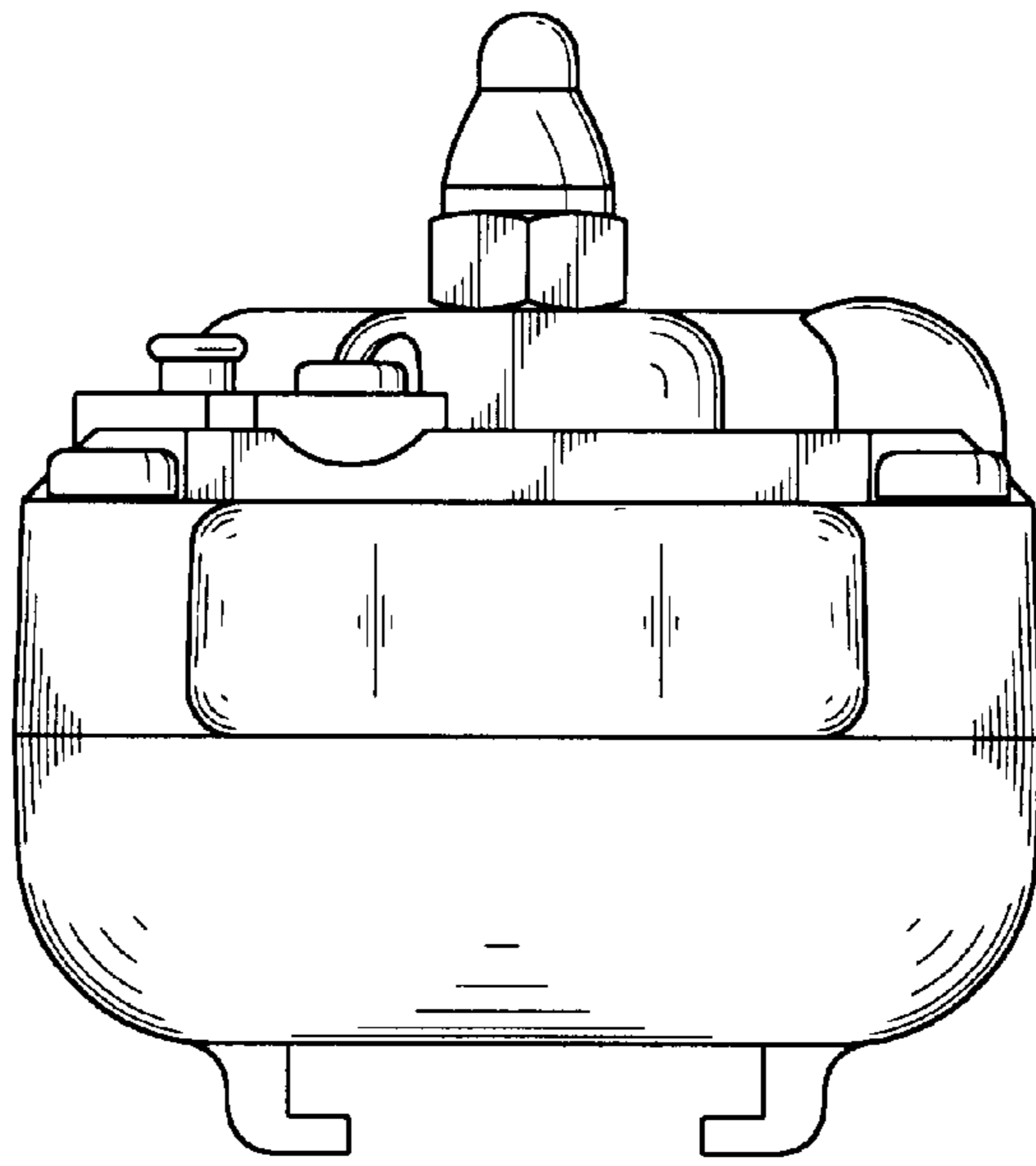


FIG. 5

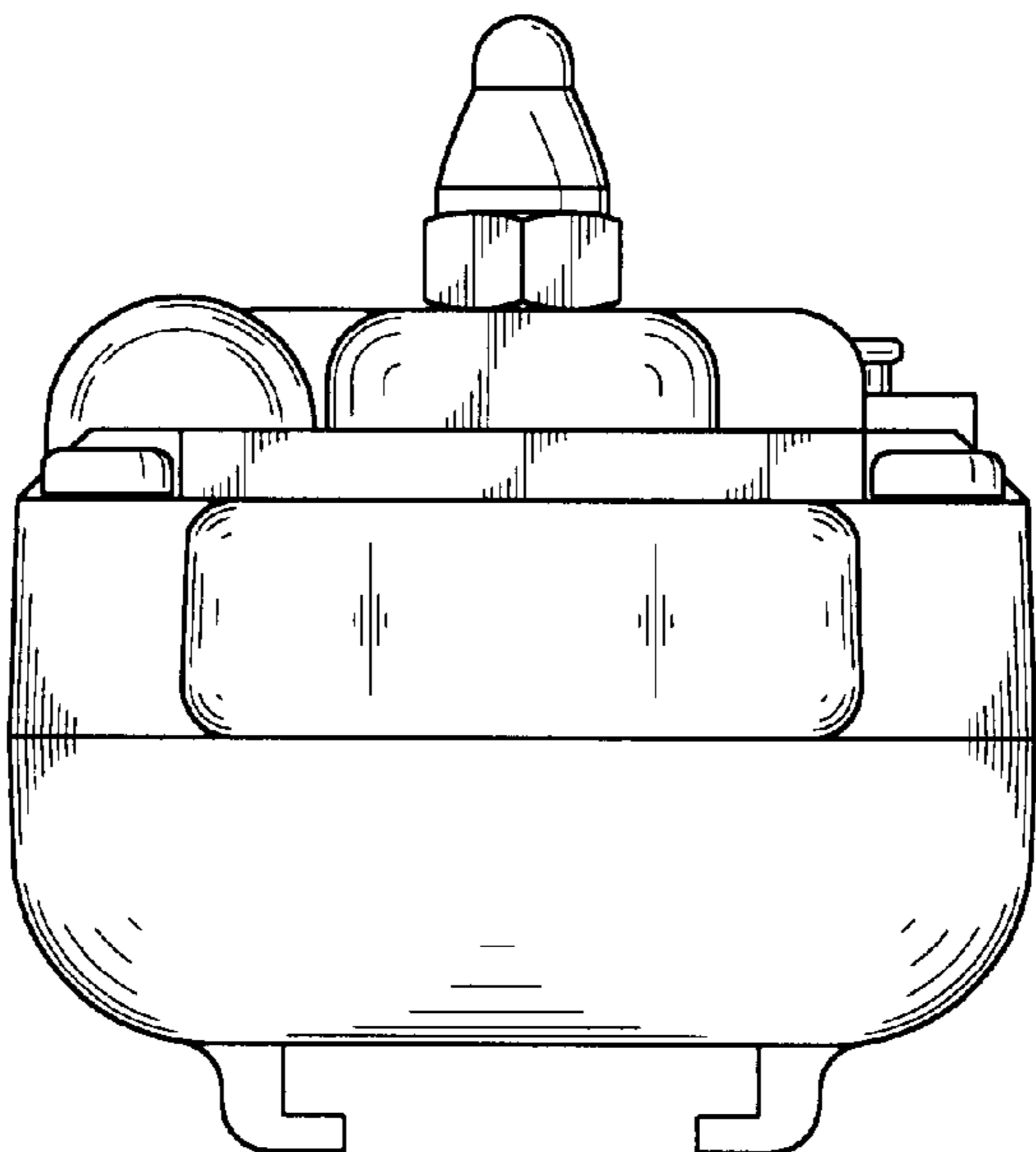


FIG. 6

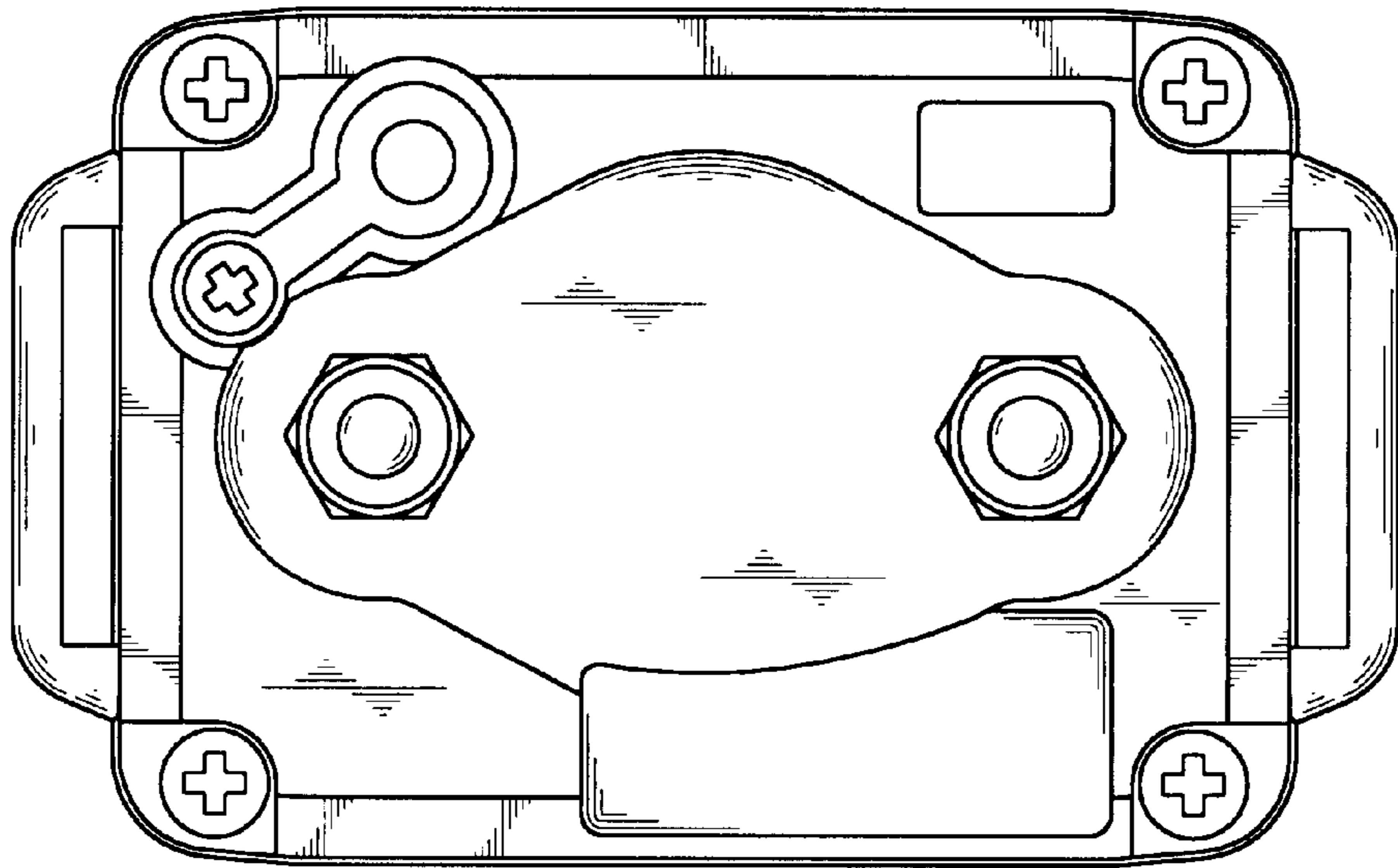


FIG. 7

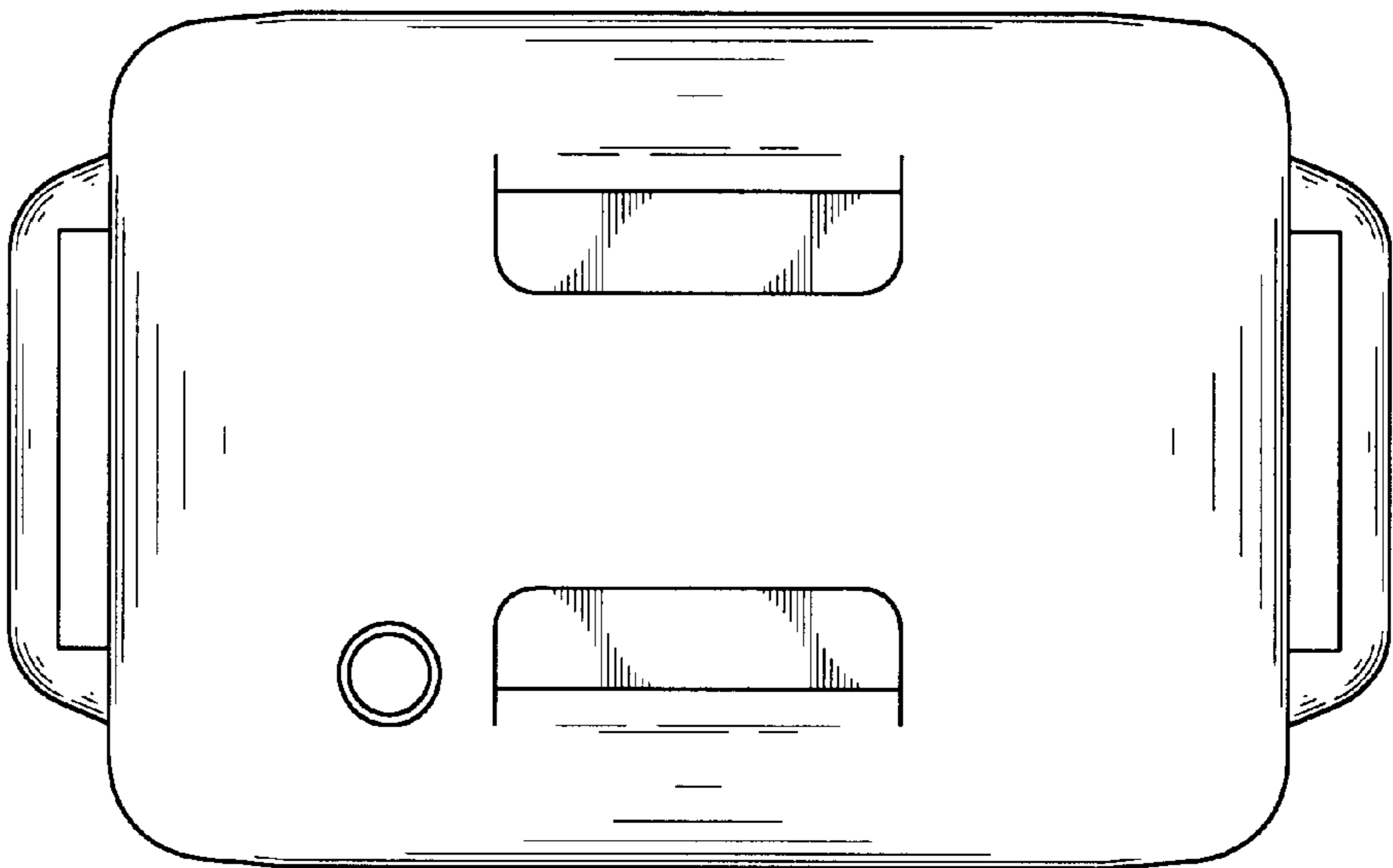


FIG. 8

