



US00D482965S

(12) **United States Design Patent**  
**Spiegel**

(10) **Patent No.:** **US D482,965 S**

(45) **Date of Patent:** **\*\* Dec. 2, 2003**

(54) **TOOL CASE**

(75) **Inventor:** **Michele Spiegel, Woodmere, NY (US)**

(73) **Assignee:** **Amana Tool Company, Farmingdale, NY (US)**

(\*\*) **Term:** **14 Years**

(21) **Appl. No.:** **29/177,435**

(22) **Filed:** **Mar. 10, 2003**

(51) **LOC (7) Cl.** ..... **09-03**

(52) **U.S. Cl.** ..... **D9/415**

(58) **Field of Search** ..... D9/414, 415, 418,  
D9/341, 457; 206/461-471, 806, 495, 372-379,  
349, 206, 207, 234, 443; D3/273, 905;  
D8/71; 312/902

(56) **References Cited**

**U.S. PATENT DOCUMENTS**

5,271,501 A	*	12/1993	Chen	.....	206/373
D396,632 S	*	8/1998	Lee	.....	D9/415
D406,753 S	*	3/1999	Lee	.....	D9/415
5,875,893 A	*	3/1999	Lee et al.	.....	206/471
D408,281 S	*	4/1999	Chen	.....	D9/415
5,918,741 A	*	7/1999	Vasudeva	.....	206/376

6,082,538 A	*	7/2000	Snider et al.	.....	206/372
D433,627 S	*	11/2000	Vasudeva	.....	D9/415
D449,518 S	*	10/2001	Snider et al.	.....	D9/415

\* cited by examiner

*Primary Examiner*—Prabhakar Deshmukh

(74) *Attorney, Agent, or Firm*—Baker Botts LLP

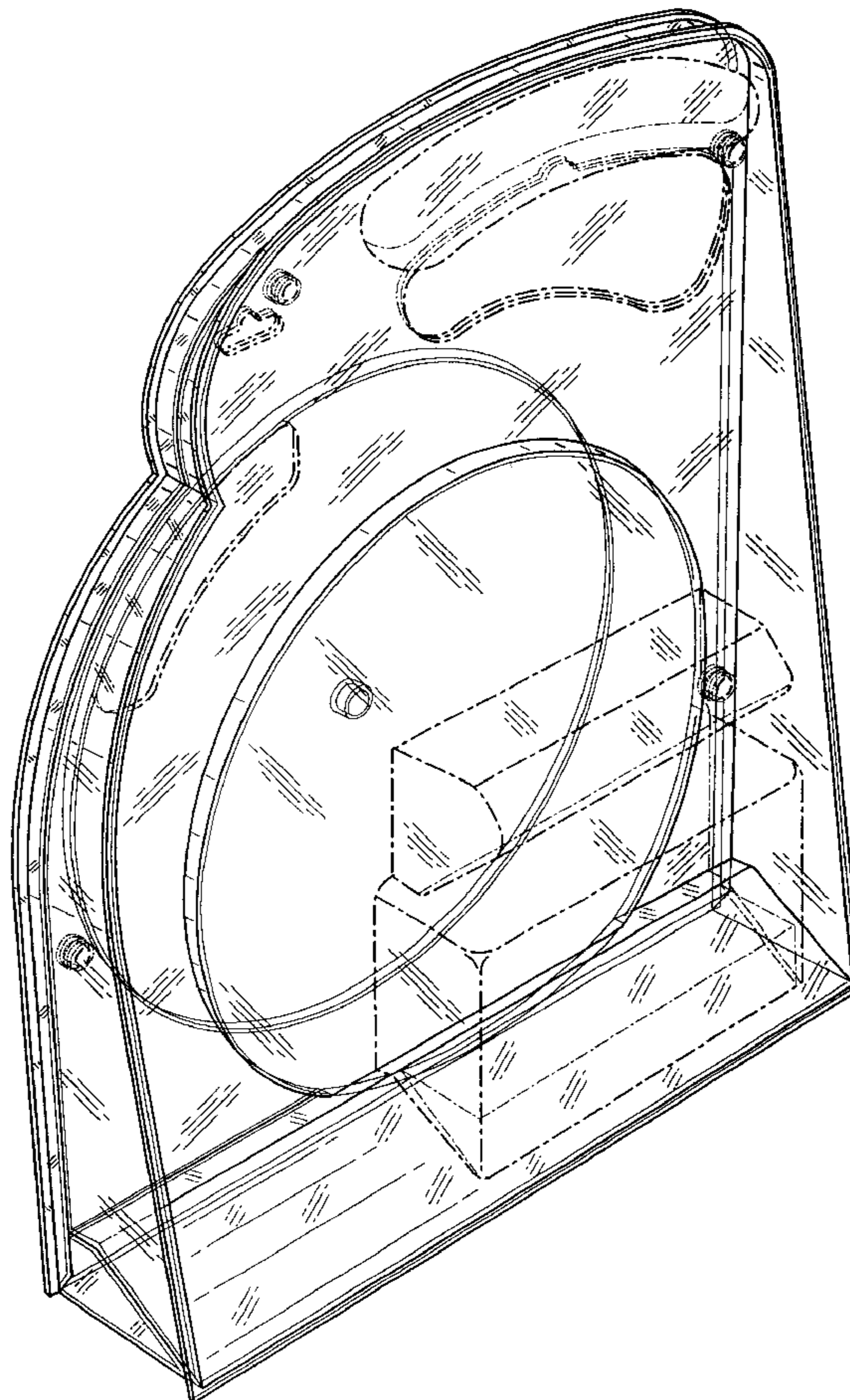
(57) **CLAIM**

The ornamental design for a tool case, as shown and described.

**DESCRIPTION**

FIG. 1 is a side perspective view of the present design of a tool case;  
 FIG. 2 is a front view of the present design of a tool case;  
 FIG. 3 is a bottom view of the present design of a tool case;  
 FIG. 4 is a right side view of the present design of a tool case;  
 FIG. 5 is a left side view of the present design of a tool case;  
 FIG. 6 is a bottom view of the present design of a tool case;  
 and,  
 FIG. 7 is a back view of the present design of a tool case.  
 The broken lines are for illustrative purpose only and form no part of the claimed design.

**1 Claim, 4 Drawing Sheets**



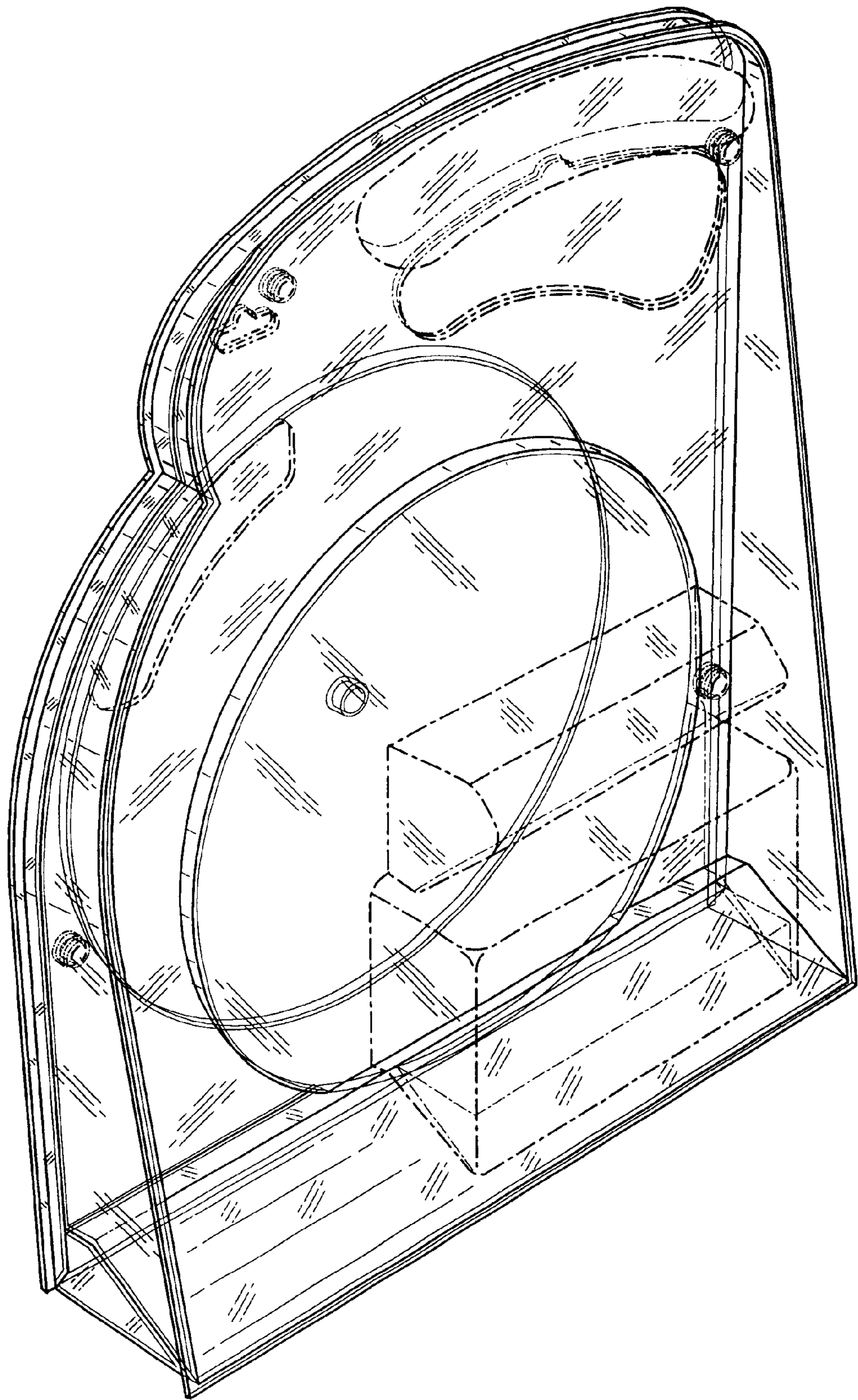


FIG. 1



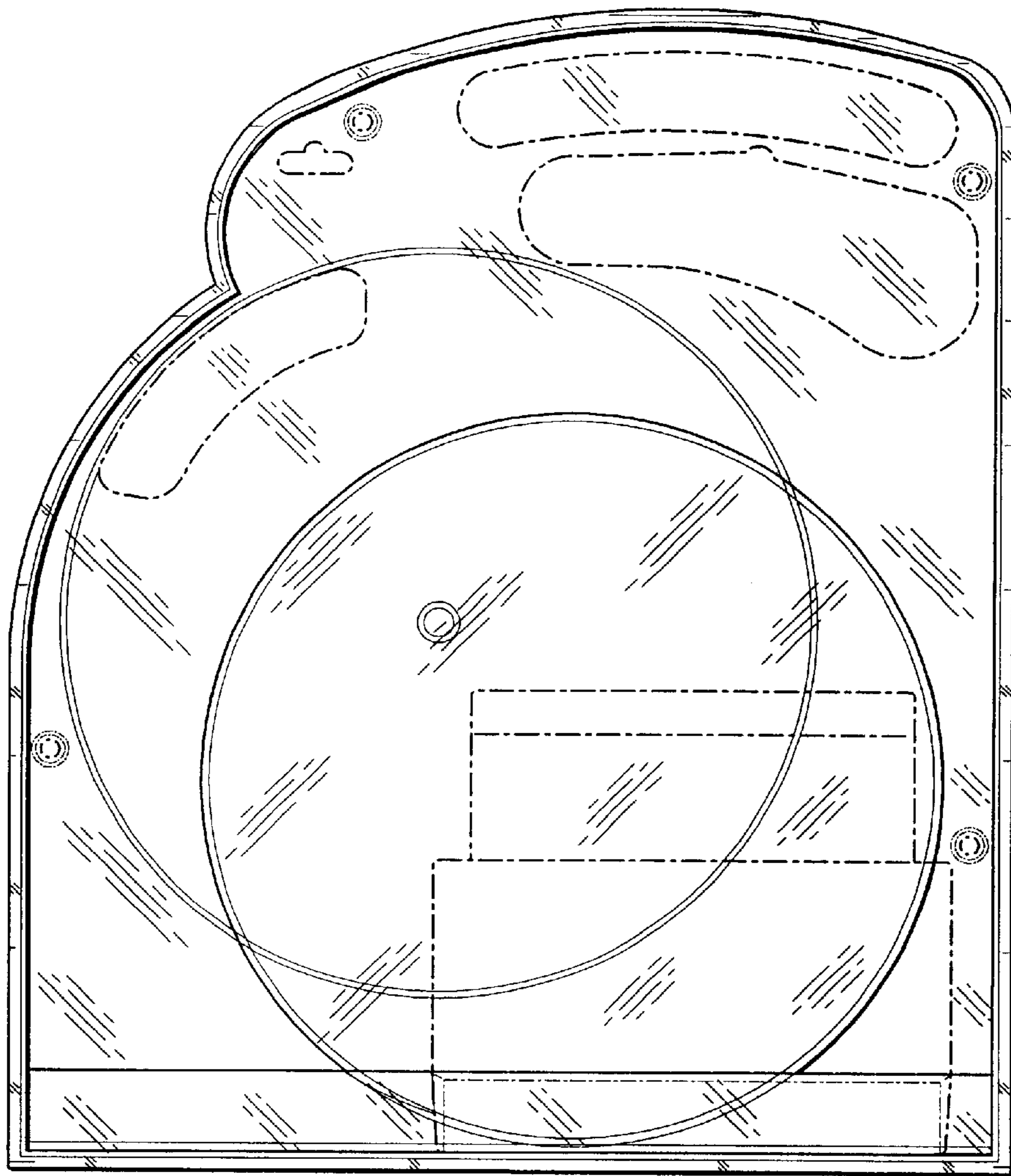


FIG. 2

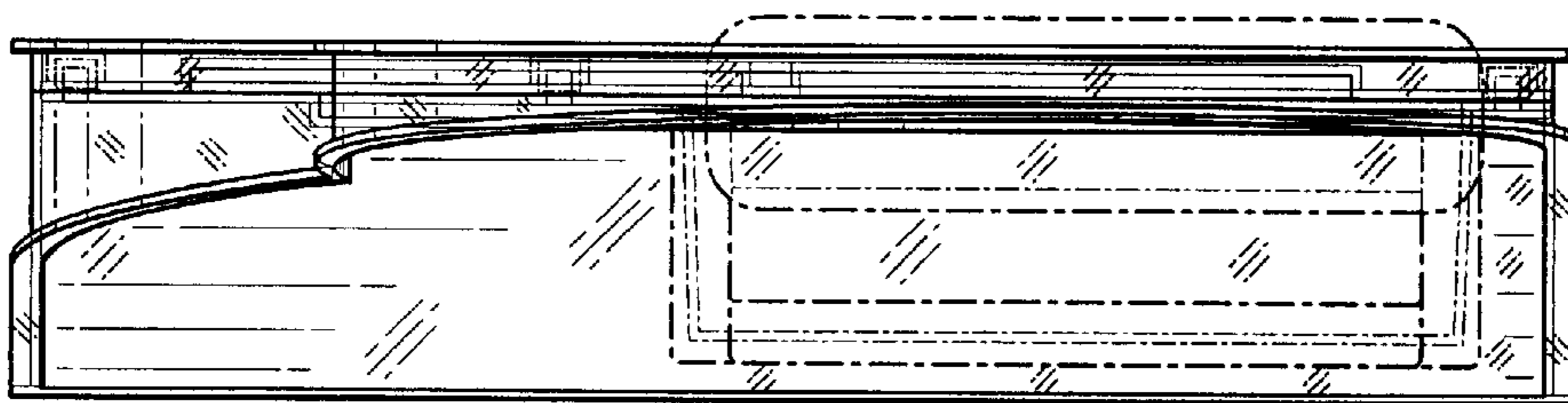


FIG. 3

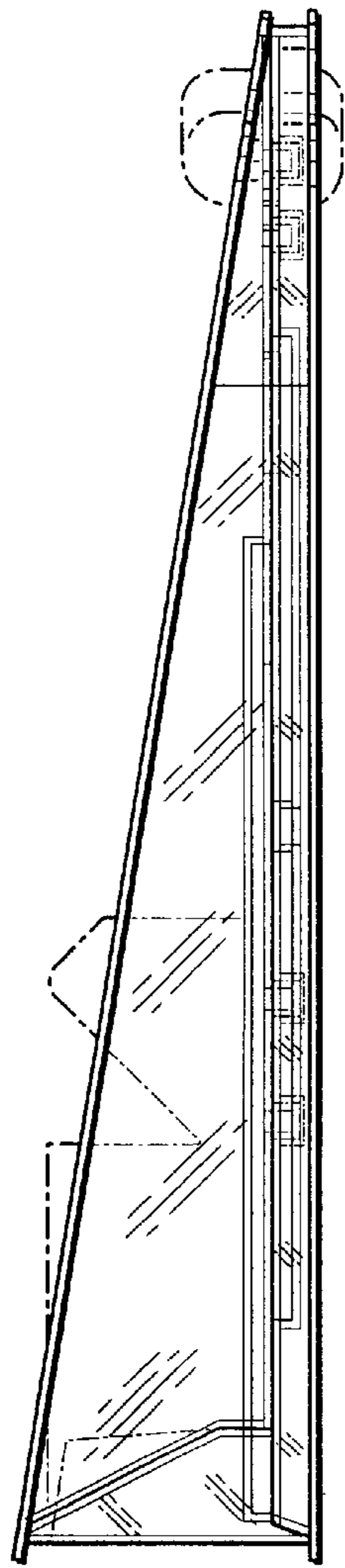


FIG. 4

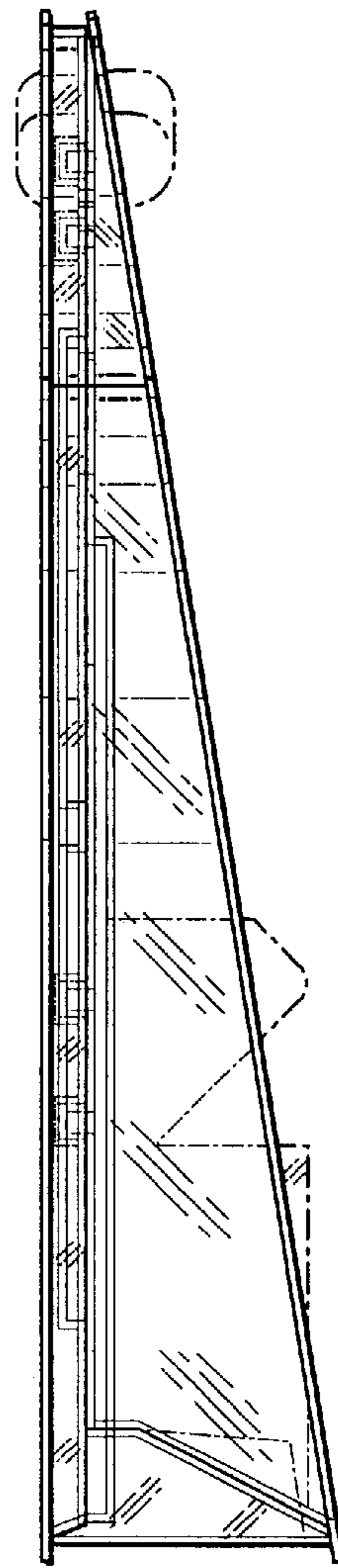


FIG. 5

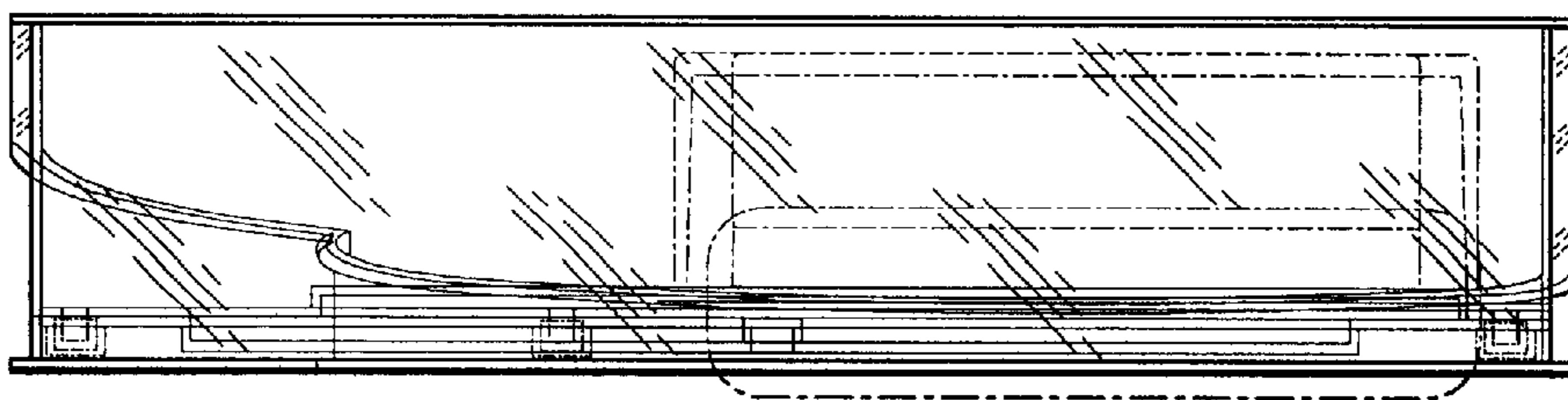


FIG. 6

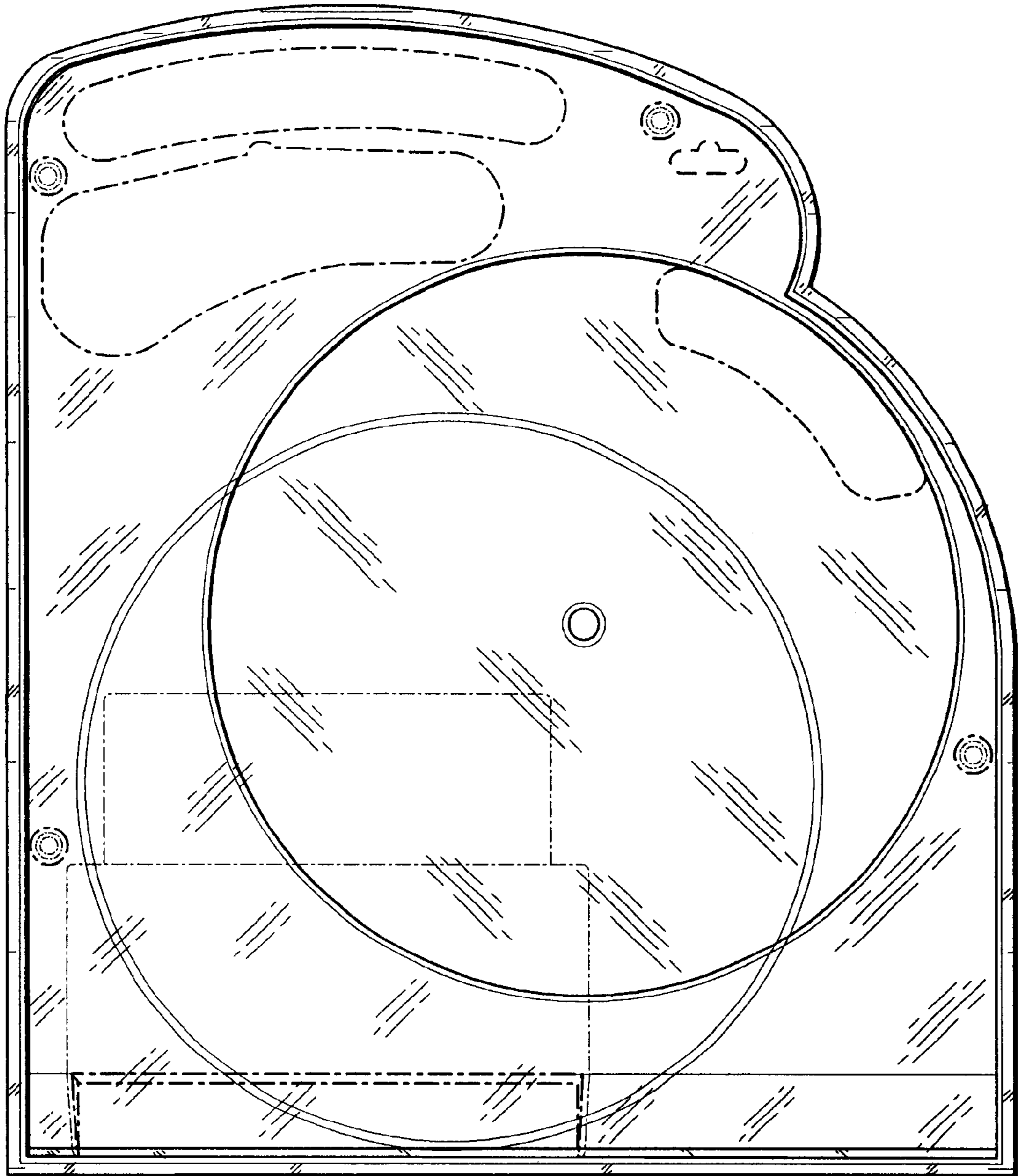


FIG. 7