



US00D482964S

(12) **United States Design Patent**  
**Noer**

(10) **Patent No.:** **US D482,964 S**

(45) **Date of Patent:** **\*\* Dec. 2, 2003**

(54) **PACKAGING FOR OPTICAL STORAGE DISCS**

(75) **Inventor:** **Michael J. Noer**, Stillwater, MN (US)

(73) **Assignee:** **Imation Corp.**, Oakdale, MN (US)

(\*\*) **Term:** **14 Years**

(21) **Appl. No.:** **29/173,234**

(22) **Filed:** **Dec. 23, 2002**

(51) **LOC (7) Cl.** ..... **09-03**

(52) **U.S. Cl.** ..... **D9/415**

(58) **Field of Search** ..... D9/415, 418, 414,  
D9/341, 346; D3/201, 218; 206/461-471,  
806, 303, 308.1-308.3, 387.14, 316.1, 391

(56) **References Cited**

**U.S. PATENT DOCUMENTS**

4,531,634	A	*	7/1985	Jung-Chi	.....	206/391
4,850,731	A	*	7/1989	Youngs	.....	206/308.1
D360,360	S	*	7/1995	Kiolbasa	.....	D9/415
D389,737	S	*	1/1998	Bader	.....	D9/418
6,053,320	A	*	4/2000	Kueth	.....	206/462

D427,523	S	*	7/2000	Calcerano	.....	D9/425
D433,937	S	*	11/2000	Glassman	.....	D9/415
6,170,663	B1	*	1/2001	Glassman	.....	206/471
D447,051	S	*	8/2001	Humohrey	.....	D9/415

\* cited by examiner

*Primary Examiner*—Prabhakar Deshmukh

(74) *Attorney, Agent, or Firm*—Eric D. Levinson

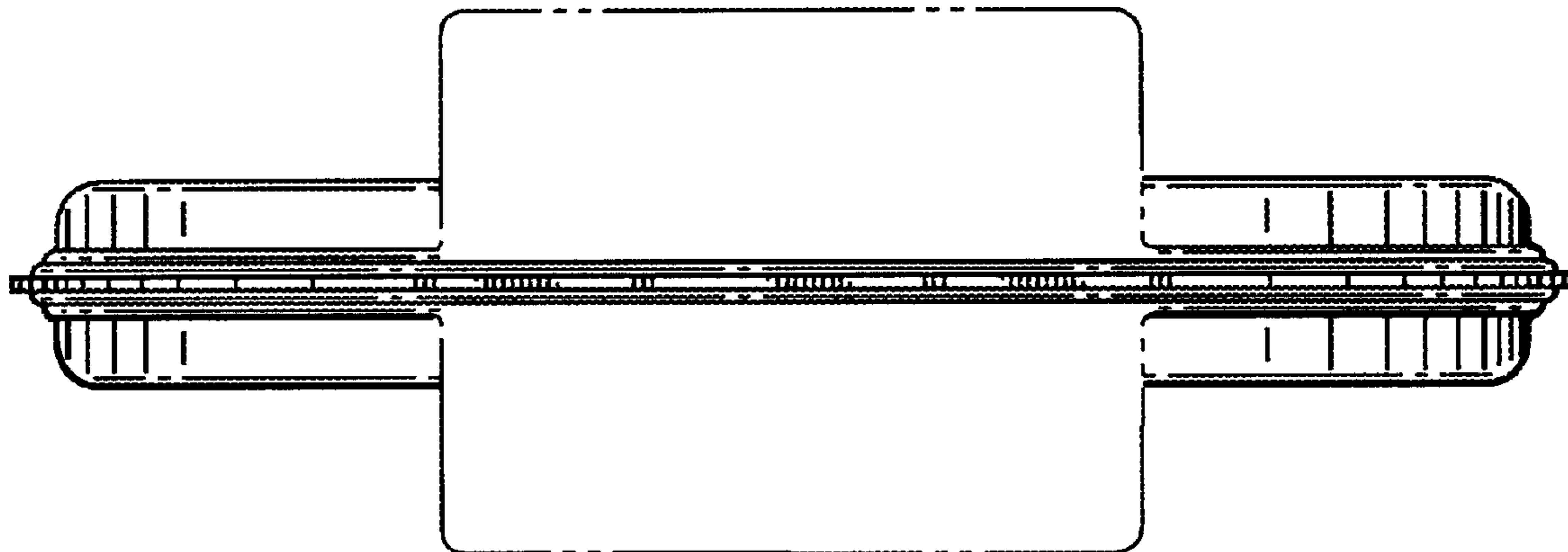
(57) **CLAIM**

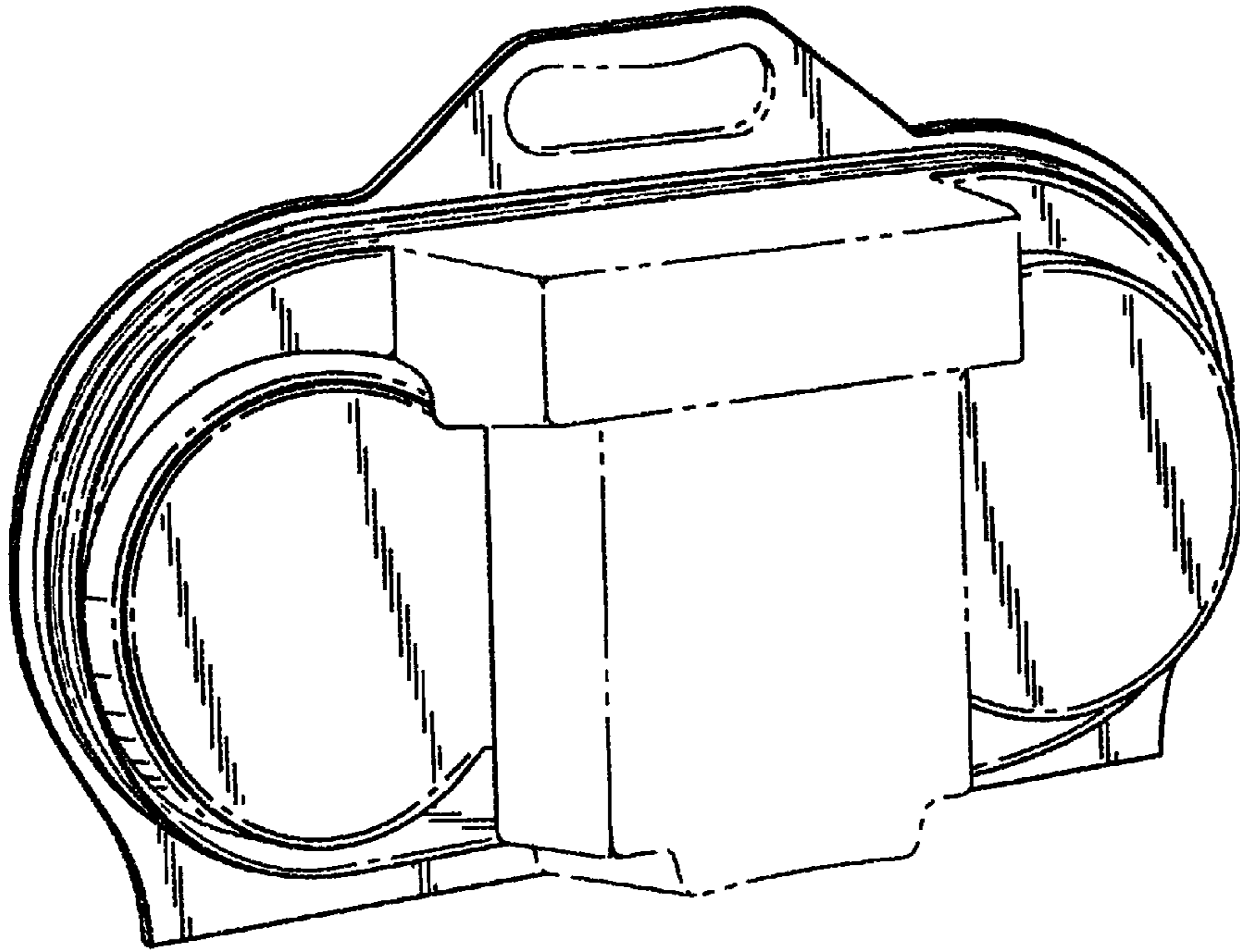
The ornamental design for a packaging for optical storage discs, as shown and described herein.

**DESCRIPTION**

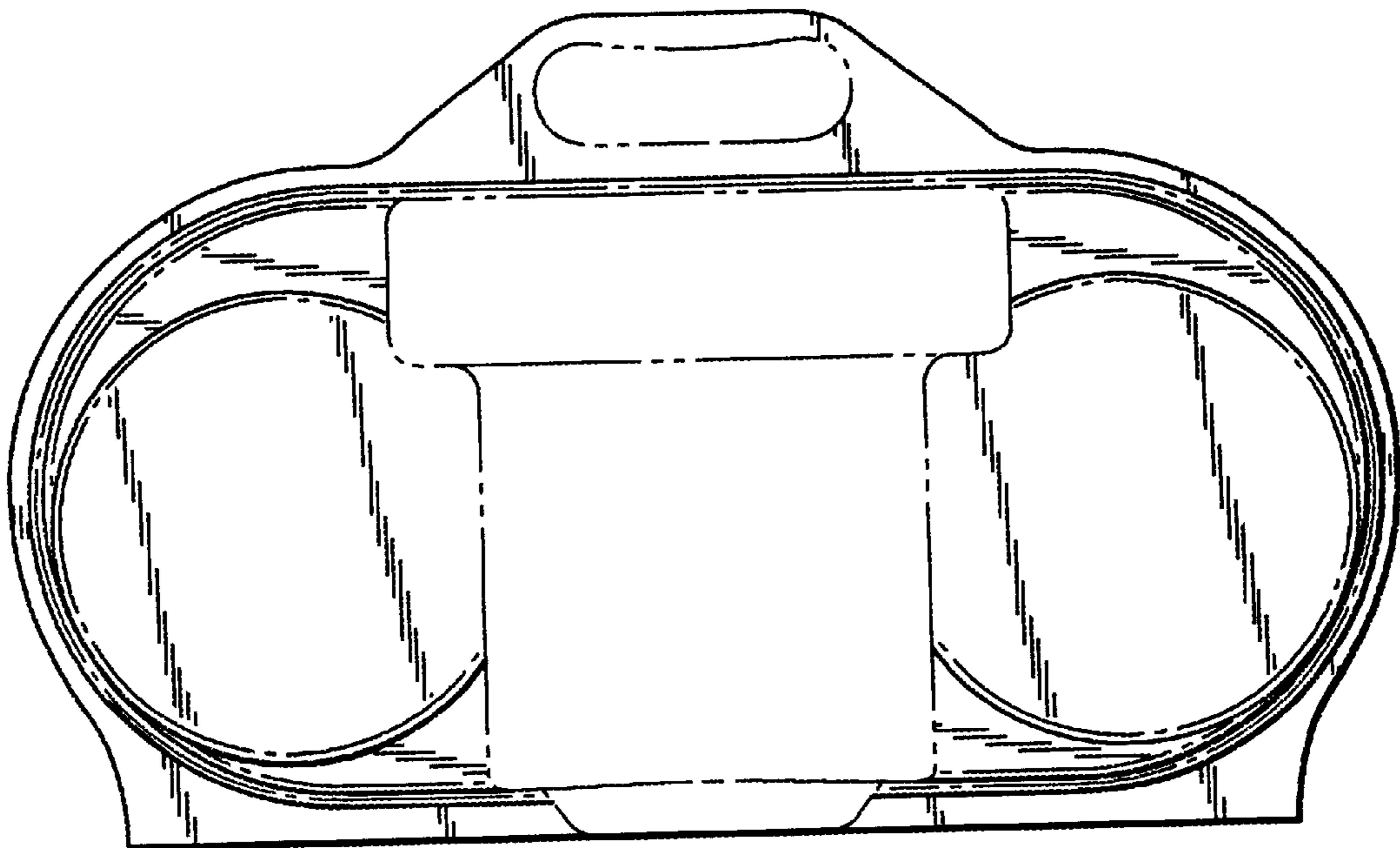
FIG. 1 is an isometric front view of a packaging for optical storage discs according to the present invention; FIG. 2 is a rear view of the packaging shown in FIG. 1; FIG. 3 is a top view of the packaging shown in FIG. 1; FIG. 4 is a bottom view of the packaging shown in FIG. 1; and, FIG. 5 is a side view of the packaging shown in FIG. 1. Those portions of the packaging for optical storage discs shown in broken lines are included for illustrative purposes only and form no part of the claimed design.

**1 Claim, 3 Drawing Sheets**

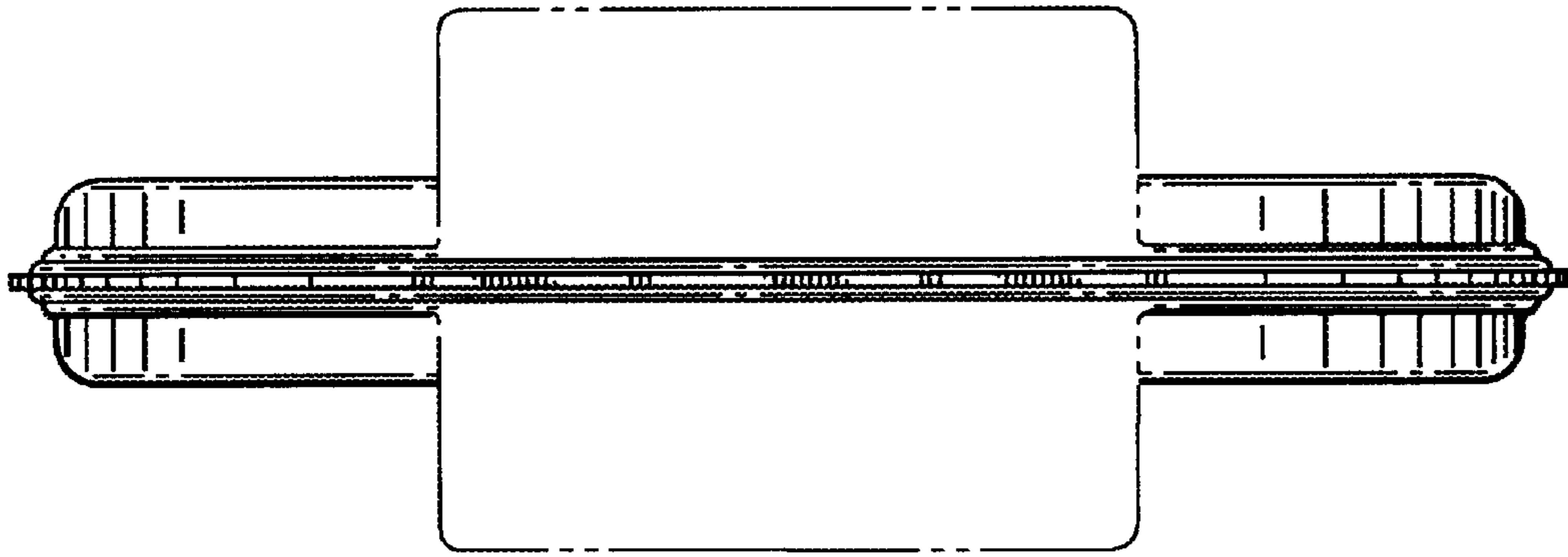




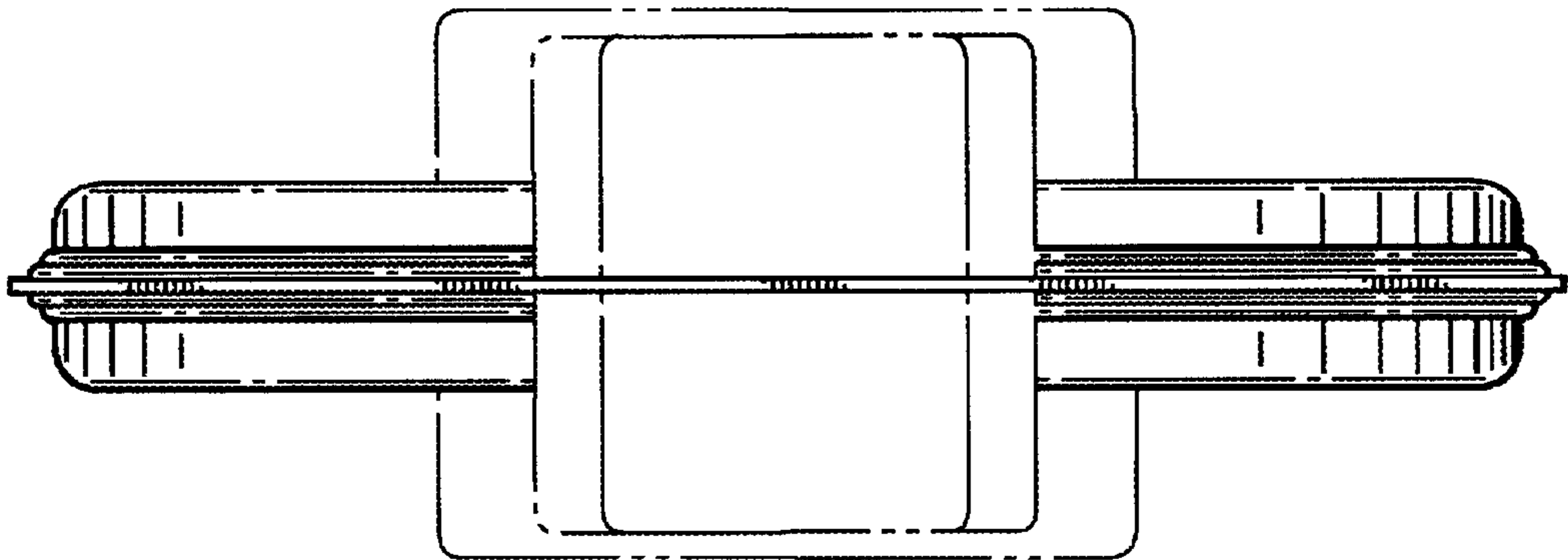
**Fig. 1**



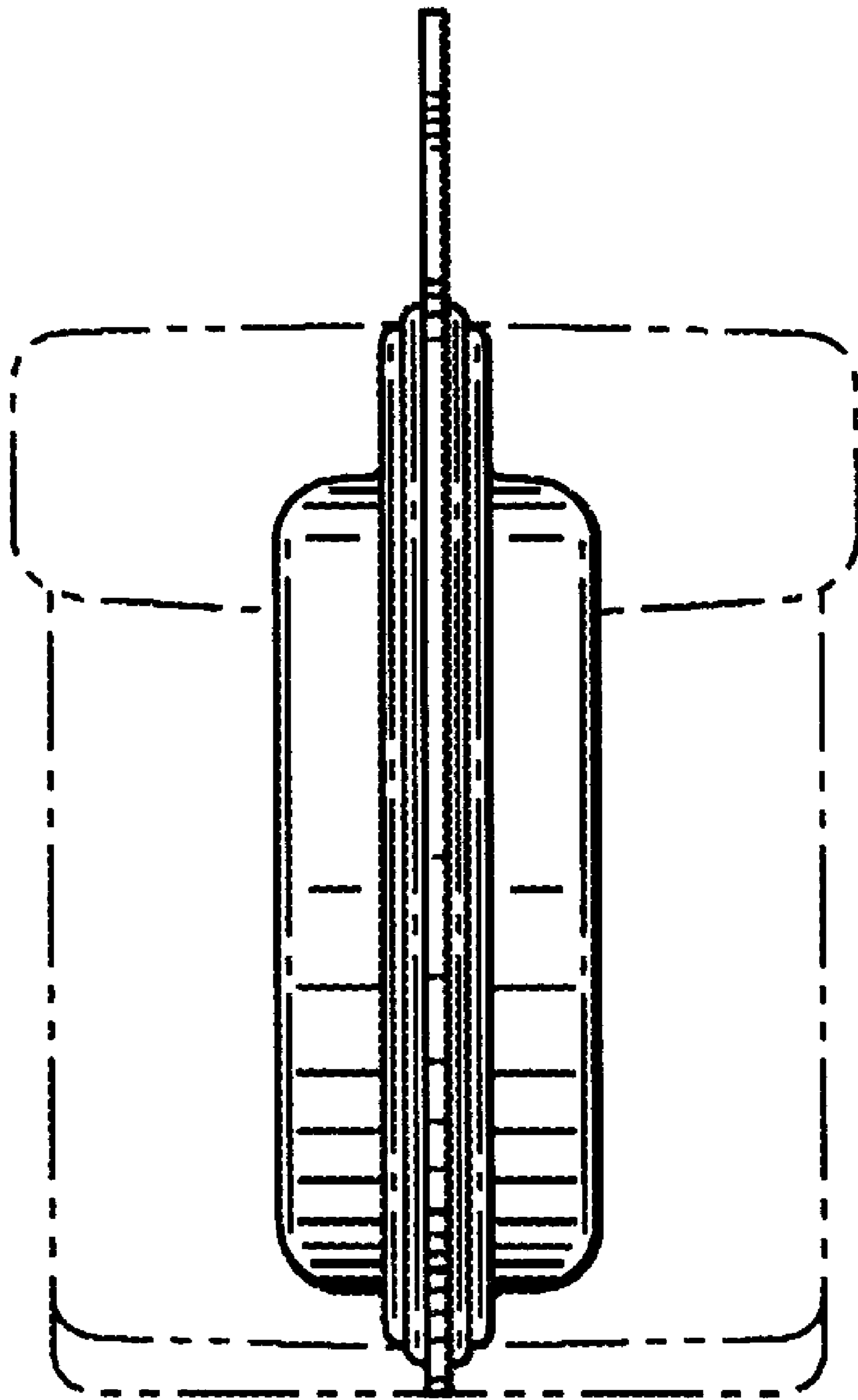
**Fig. 2**



**Fig. 3**



**Fig. 4**



**Fig. 5**