



US00D482959S

(12) **United States Design Patent**
Emsun

(10) **Patent No.:** **US D482,959 S**

(45) **Date of Patent:** **** Dec. 2, 2003**

(54) **WAX PAPER BAG WITH CUFFED AND SERRATED EDGE AND PAPER-COVERED-WIRE CLOSURE STRIP**

(76) **Inventor:** **Beth S. Emsun**, 42776 Woodbine Ave.,
Antioch, IL (US) 60002-2803

(**) **Term:** **14 Years**

(21) **Appl. No.:** **29/163,754**

(22) **Filed:** **Jul. 12, 2002**

(51) **LOC (7) Cl.** **09-05**

(52) **U.S. Cl.** **D9/305**

(58) **Field of Search** D9/305, 306; 383/11,
383/30, 84, 85, 86, 88, 103, 114, 111, 122,
211; 206/216, 455, 522; 493/226

(56) **References Cited**

U.S. PATENT DOCUMENTS

254,440	A	2/1882	Kurtz	
D28,240	S	2/1898	Wellhouse	
1,357,789	A	* 11/1920	McHaffie	383/30 X
D92,153	S	5/1934	Scheele	
2,018,228	A	* 10/1935	Potdevin	383/84
2,305,402	A	* 12/1942	Avery et al.	383/211
2,563,616	A	8/1951	Perino	
2,619,801	A	* 12/1952	Evans	383/103 X
3,067,926	A	* 12/1962	Brady	383/114
3,159,096	A	* 12/1964	Tocker	206/216 X
D214,308	S	6/1969	Matsuo	
4,578,813	A	3/1986	Ausnit	
4,608,283	A	8/1986	White	

4,691,372	A	9/1987	Van Erden	
4,717,262	A	1/1988	Roen et al.	
4,787,517	A	11/1988	Martin	
D317,563	S	6/1991	Spry	
5,078,509	A	* 1/1992	Center et al.	383/88
D325,275	S	4/1992	Cristy-Berg	
D478,275	S	* 8/2003	Parrish-George	D9/305

* cited by examiner

Primary Examiner—Paula A. Mortimer
(74) *Attorney, Agent, or Firm*—Donald R. Schoonover

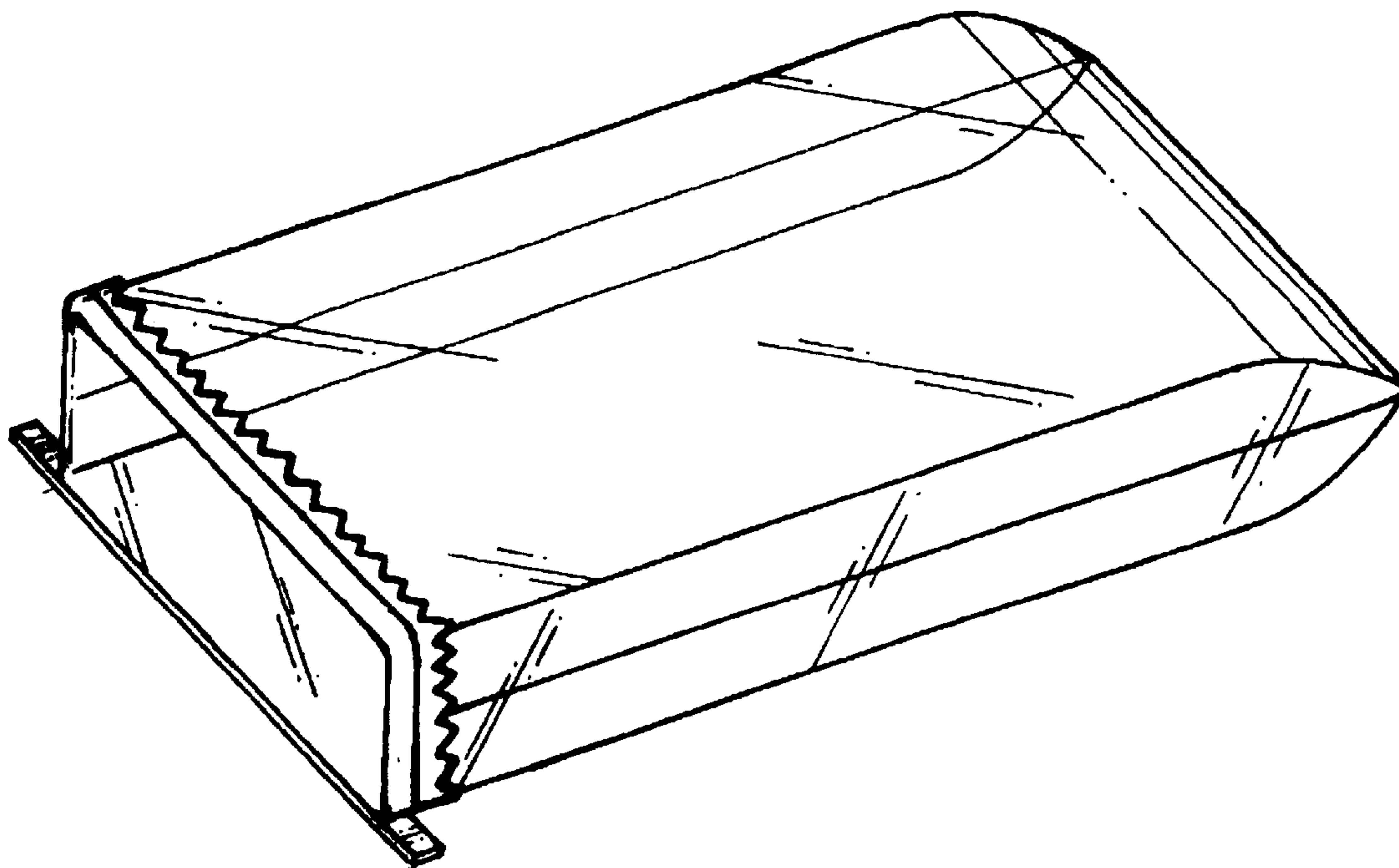
(57) **CLAIM**

The ornamental design for a wax paper bag with cuffed and serrated edge and paper-covered-wire closure strip, as shown and described.

DESCRIPTION

FIG. 1 is a perspective view of the wax paper bag with cuffed and serrated edge and paper-covered-wire closure strip embodying the design of the present invention; FIG. 2 is a front elevational view thereof; FIG. 3 is a rear elevational view thereof; FIG. 4 is a right side elevational view thereof, the left side elevational view being a mirror image thereof; FIG. 5 is a top plan view thereof; FIG. 6 is a bottom plan view thereof; and, FIG. 7 is a perspective view showing the wax paper bag with cuffed and serrated edge and paper-covered-wire closure strip in use; the broken lines depict environmental structure and form no part of the claimed design.

1 Claim, 3 Drawing Sheets



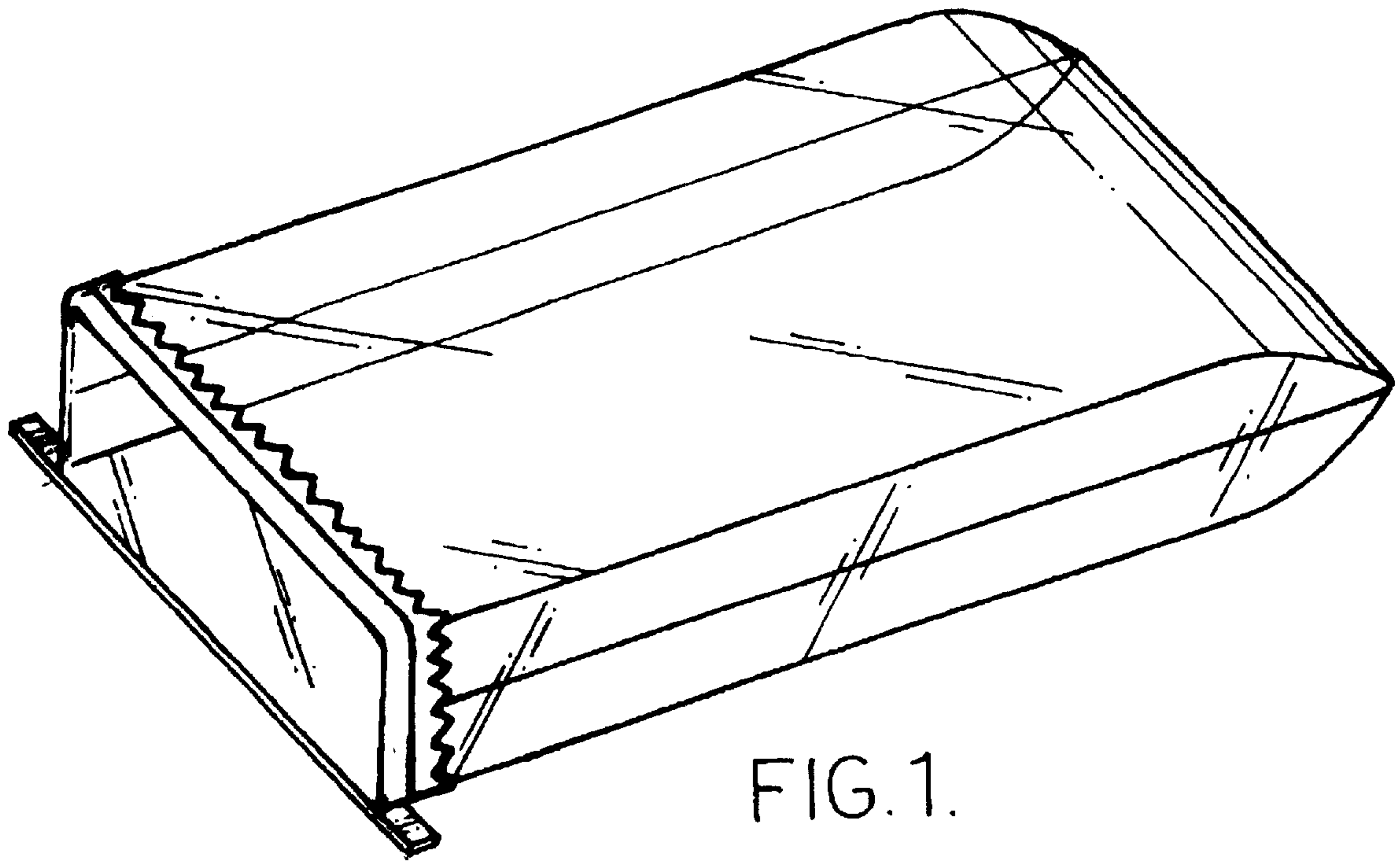


FIG. 1.

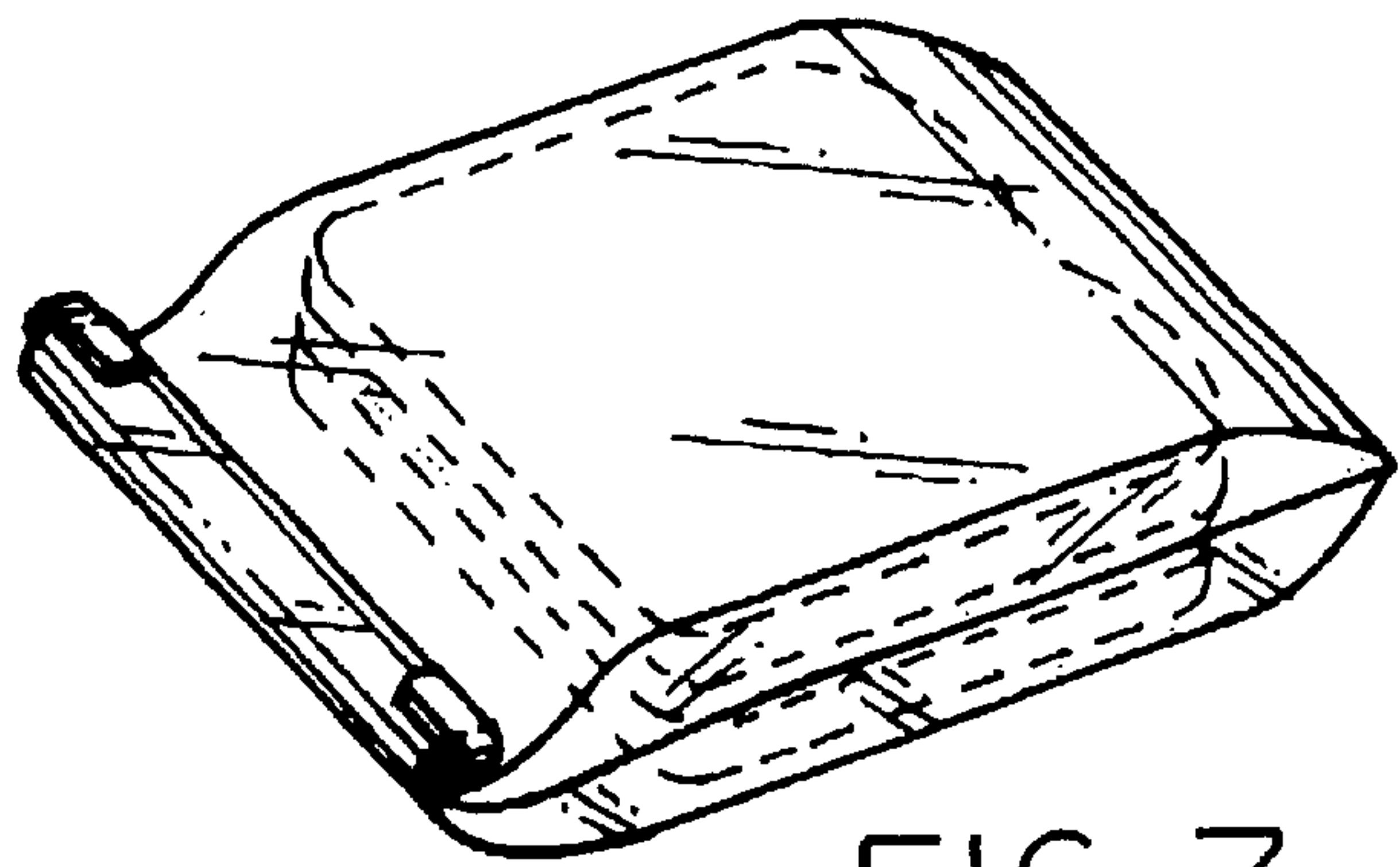


FIG. 7.

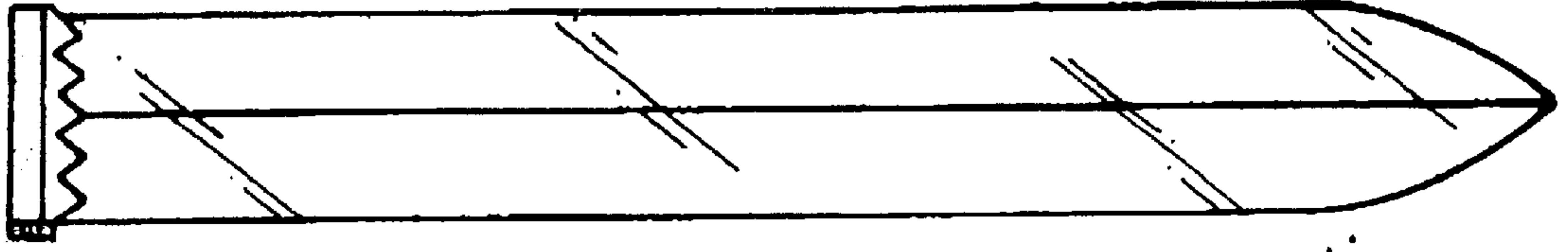


FIG. 4.

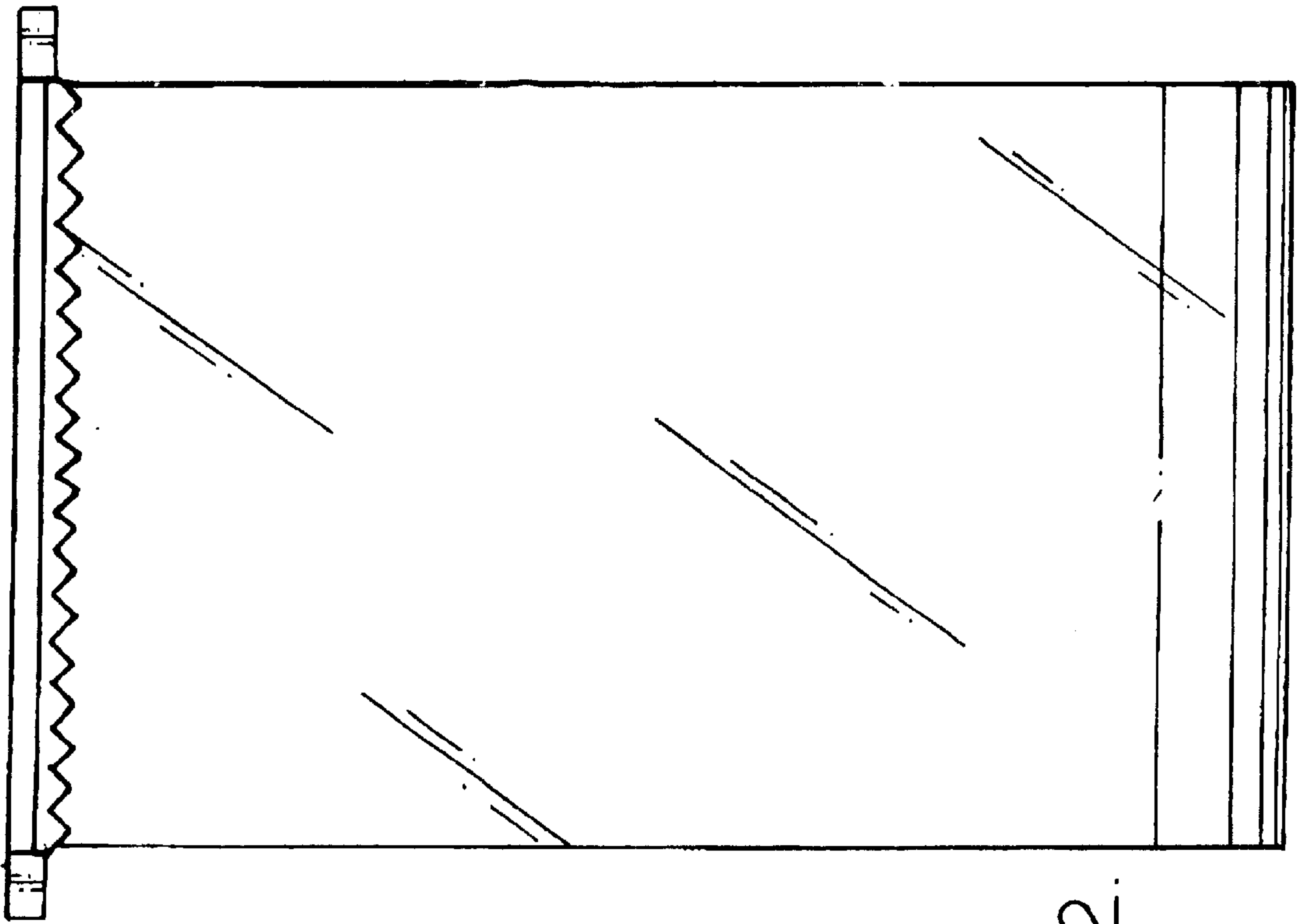


FIG. 2.

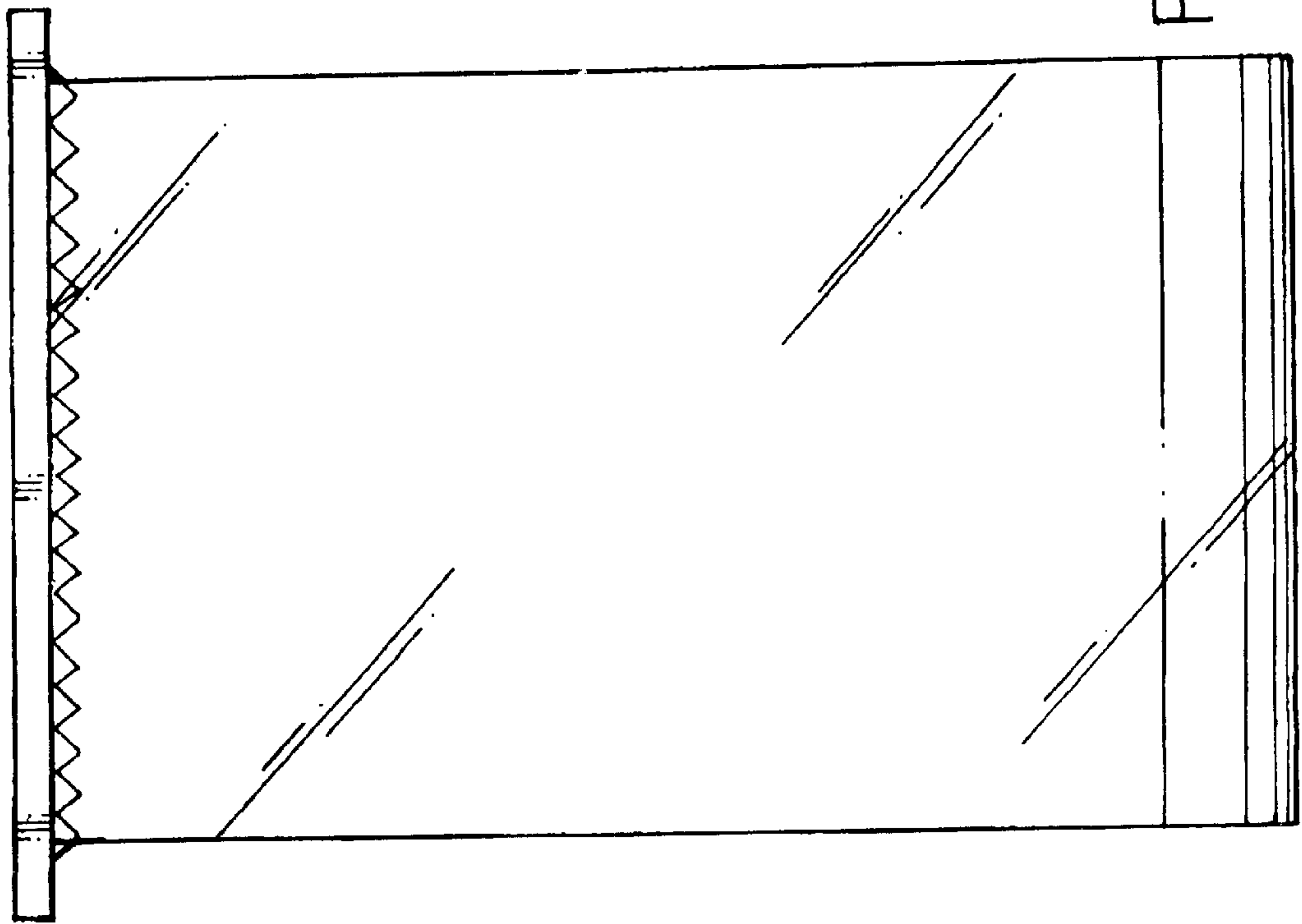


FIG. 3.

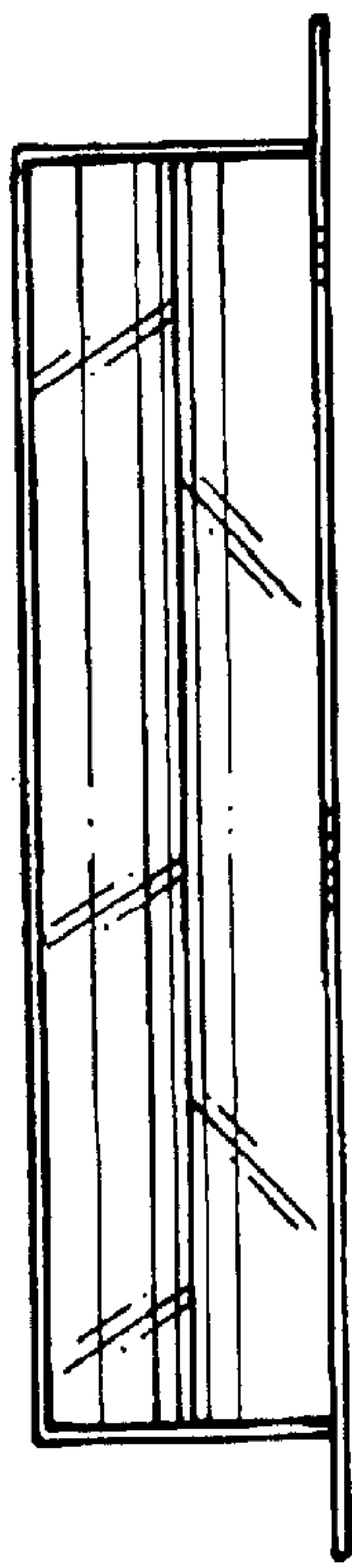


FIG. 5.

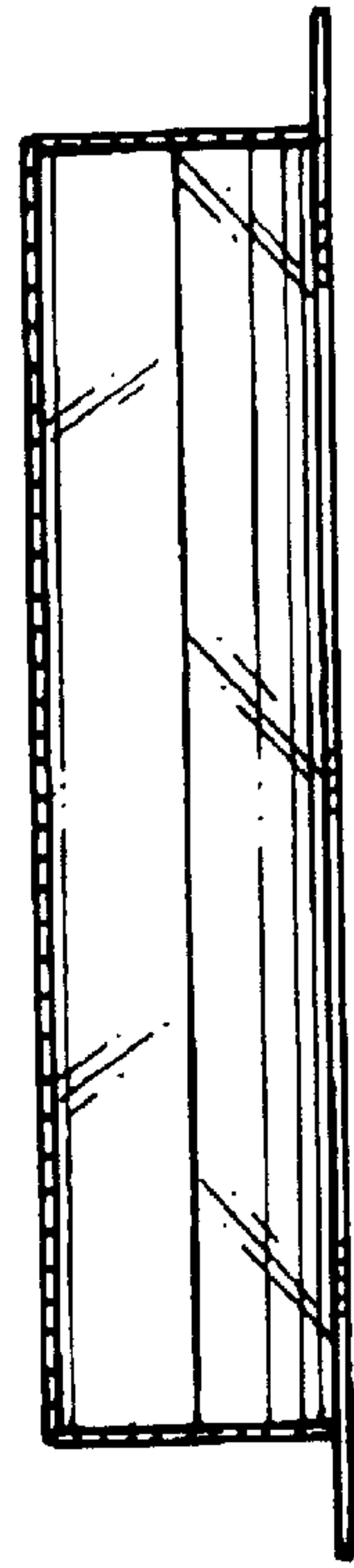


FIG. 6.