



US00D482956S

(12) **United States Design Patent**
Pyron

(10) **Patent No.:** **US D482,956 S**

(45) **Date of Patent:** **** Dec. 2, 2003**

(54) **SPLIT COUPLING**

(75) **Inventor:** **Roger Dale Pyron**, Bartlett, TN (US)

(73) **Assignee:** **Thomas & Betts International, Inc.**, Sparks, NV (US)

(**) **Term:** **14 Years**

(21) **Appl. No.:** **29/174,643**

(22) **Filed:** **Jan. 22, 2003**

(51) **LOC (7) Cl.** **08-08**

(52) **U.S. Cl.** **D8/382**

(58) **Field of Search** D8/382; 248/59,
248/62-65, 71, 74.1; 285/24; 411/433

(56) **References Cited**

U.S. PATENT DOCUMENTS

411,967 A	10/1889	Rieseck	
875,019 A	12/1907	Wahlert	
1,505,255 A	9/1924	Gold	
1,928,316 A	9/1933	Muto	285/194
3,014,259 A	12/1961	Joseph	284/24
3,964,773 A	6/1976	Stade et al.	285/367
4,226,164 A	* 10/1980	Carter	411/433
4,373,235 A	2/1983	Korgaonkar	285/24
4,915,418 A	4/1990	Palatchy	285/24
4,940,261 A	7/1990	Somers Vine	285/112

5,018,768 A	5/1991	Palatchy	285/24
5,024,404 A	* 6/1991	Ballard	248/62
6,305,719 B1	* 10/2001	Smith, Jr. et al.	285/15
6,474,747 B2	* 11/2002	Beaulieu et al.	30/296.1

* cited by examiner

Primary Examiner—Holly Baynham

(74) *Attorney, Agent, or Firm*—Michael L. Hoelter; G. Andrew Barger

(57) **CLAIM**

The ornamental design for a split coupling, as shown and described.

DESCRIPTION

FIG. 1 is a perspective view of the preferred split coupling design.

FIG. 2 is a first side elevation view of the preferred split coupling design.

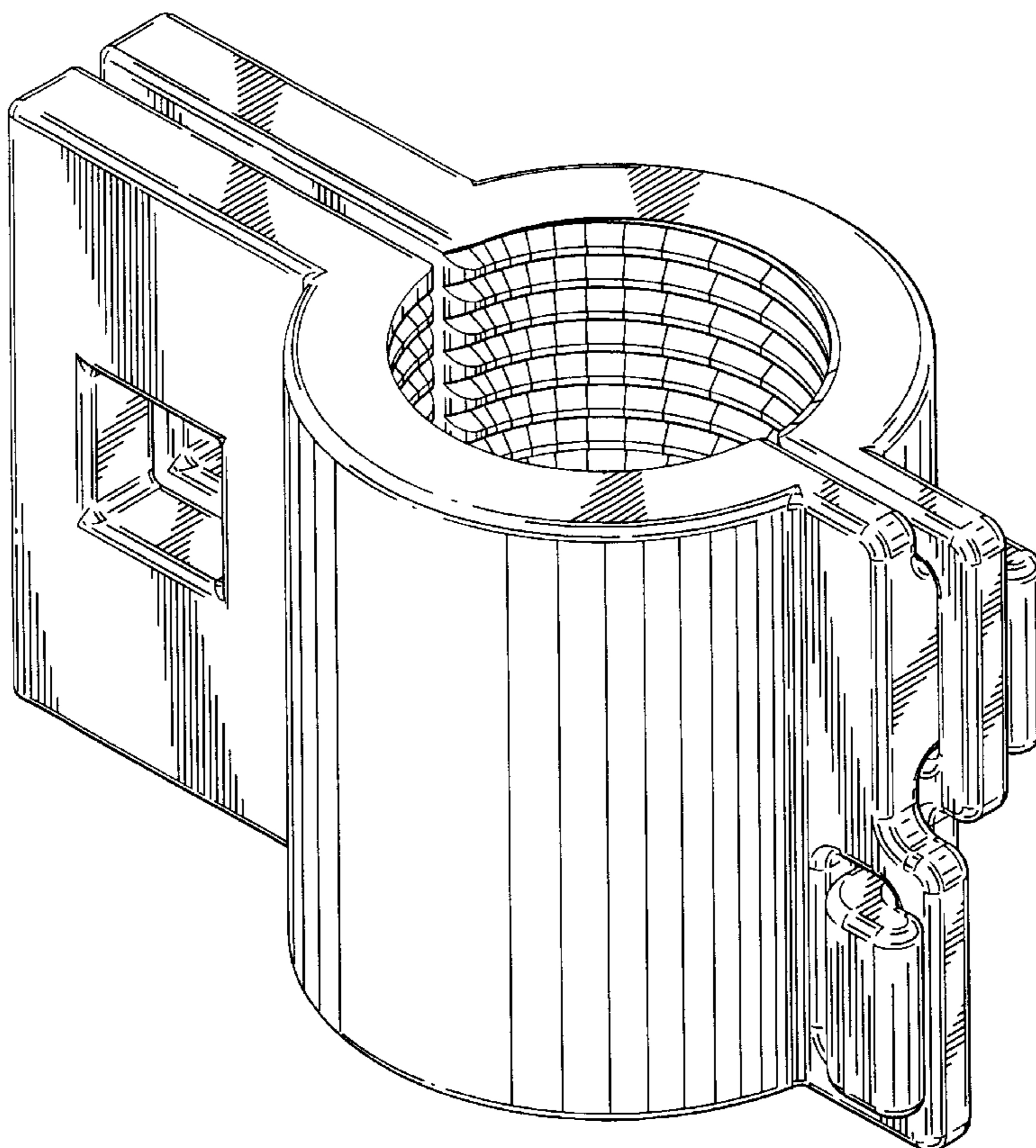
FIG. 3 is a top plan view of the preferred split coupling design.

FIG. 4 is a second side elevation view of the preferred split coupling design.

FIG. 5 is a bottom plan view of the preferred split coupling design; and,

FIG. 6 is an end elevation view of the preferred split coupling design.

1 Claim, 5 Drawing Sheets



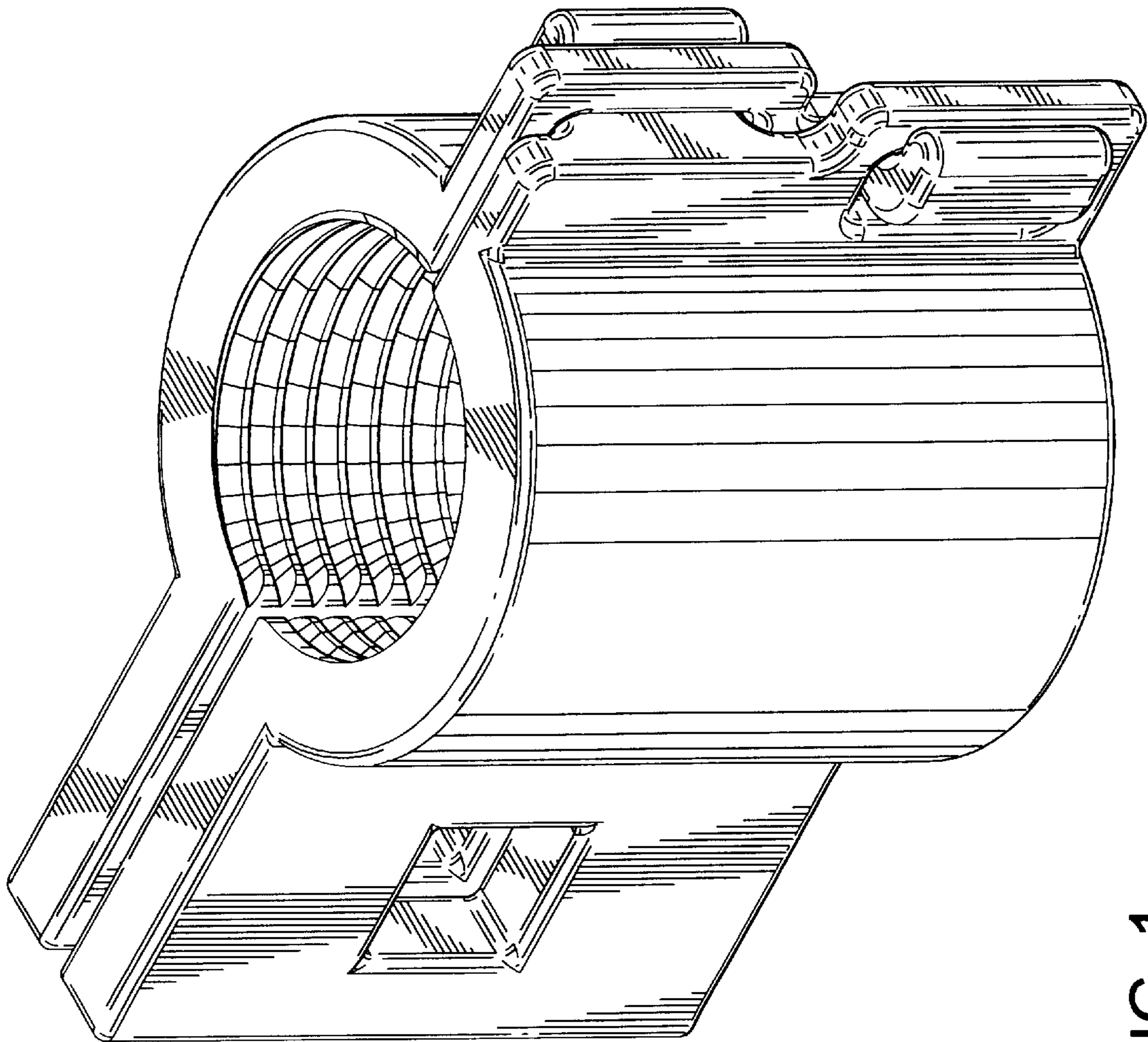


FIG. 1

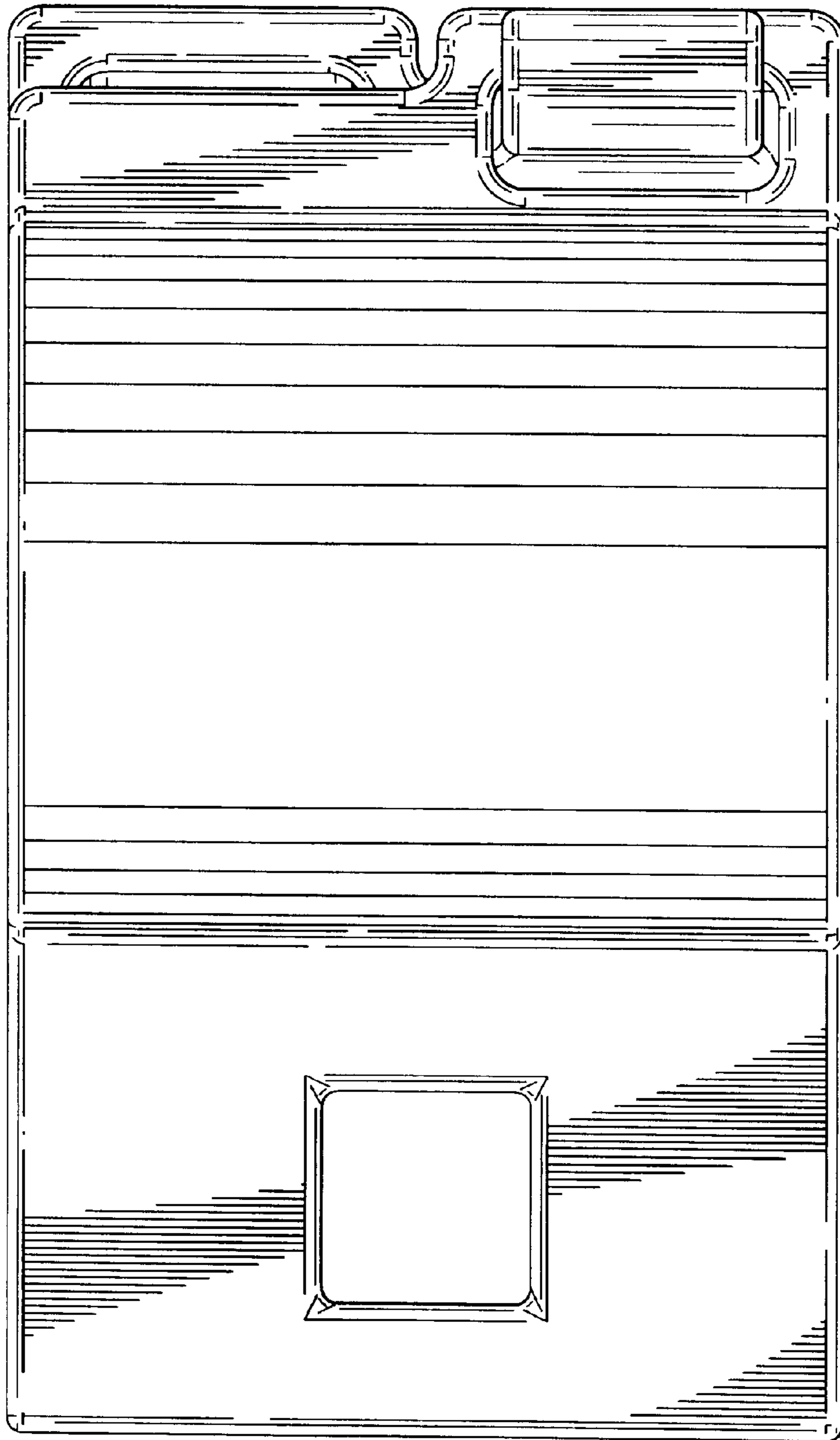


FIG. 2

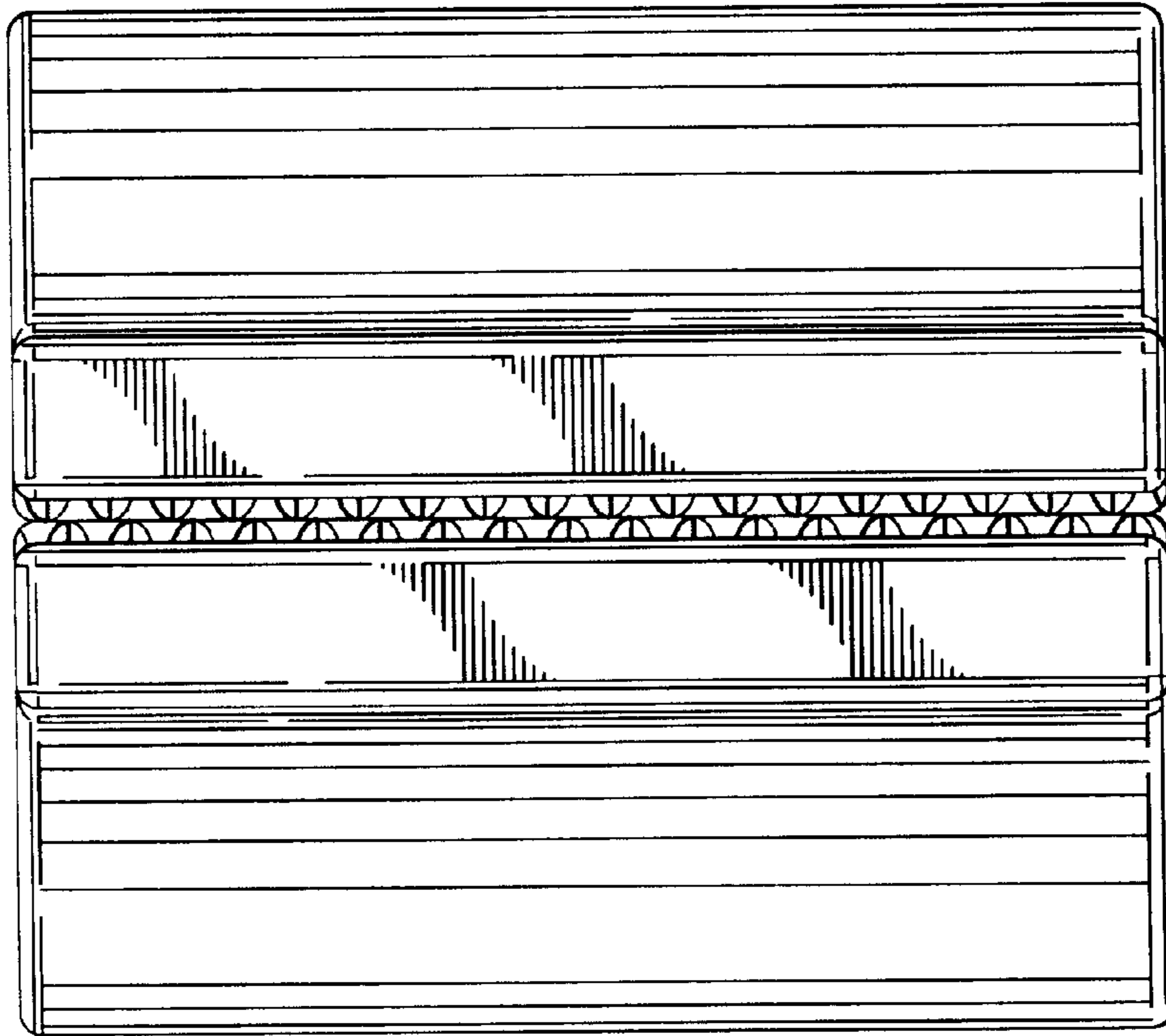


FIG. 5

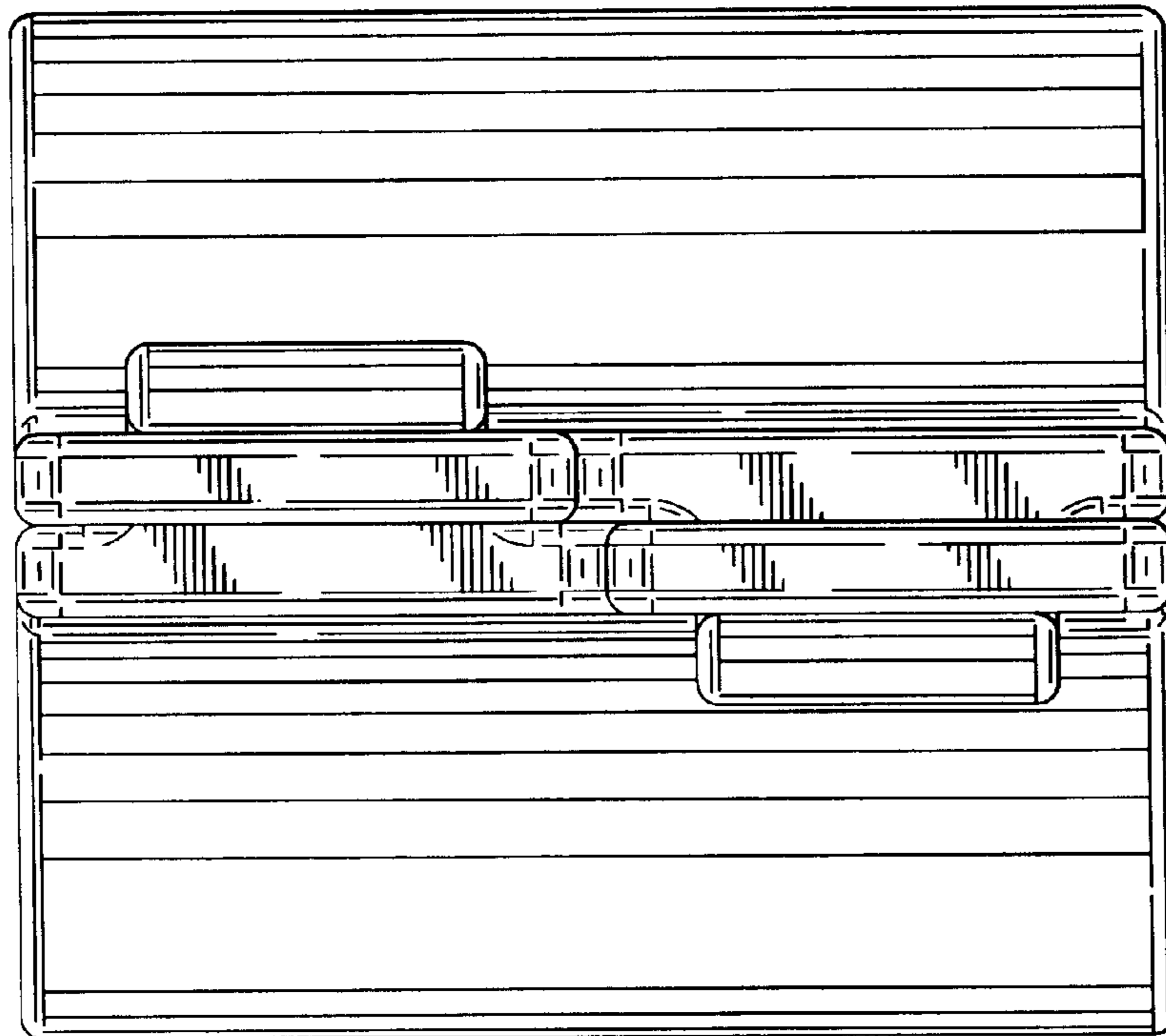


FIG. 3

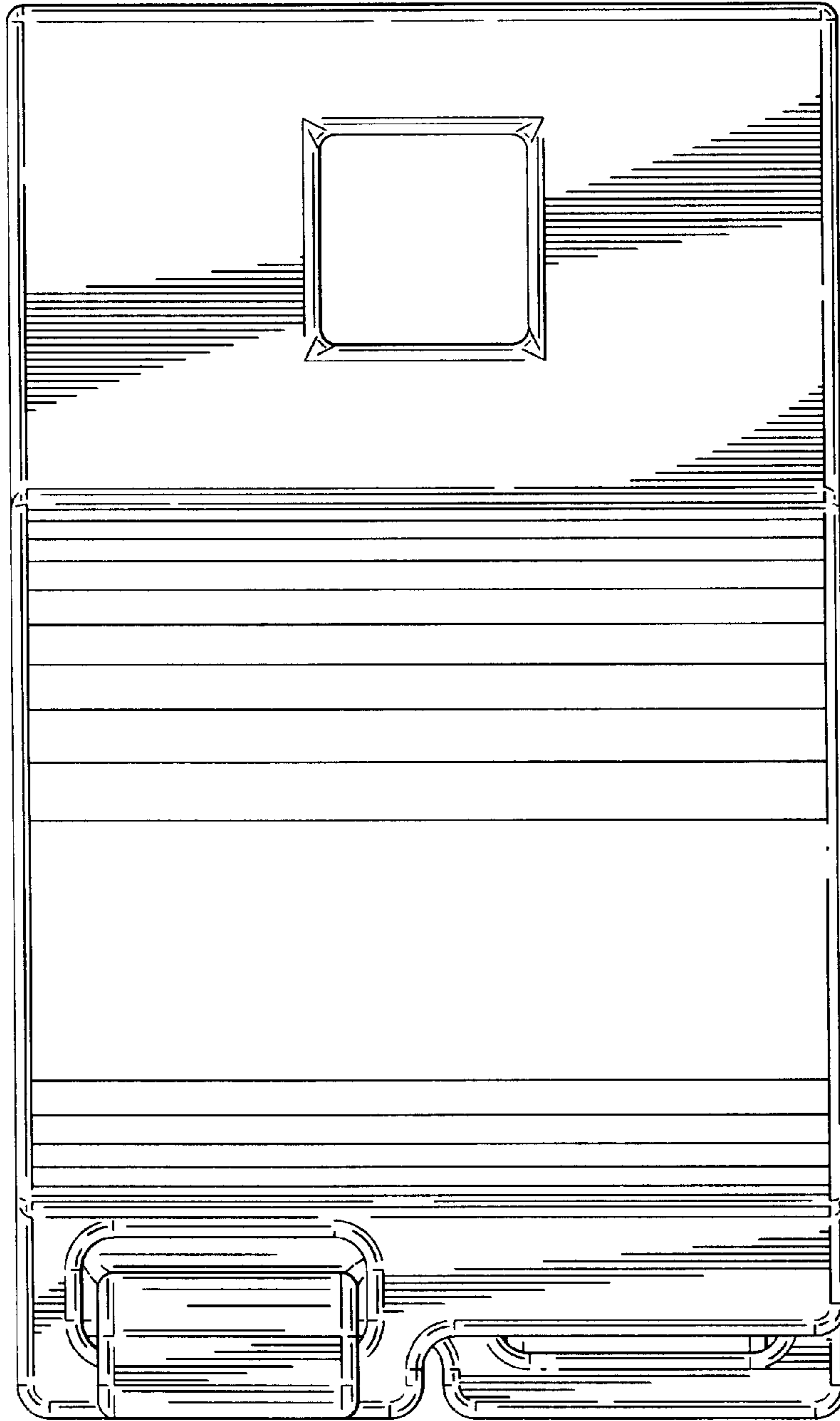


FIG. 4

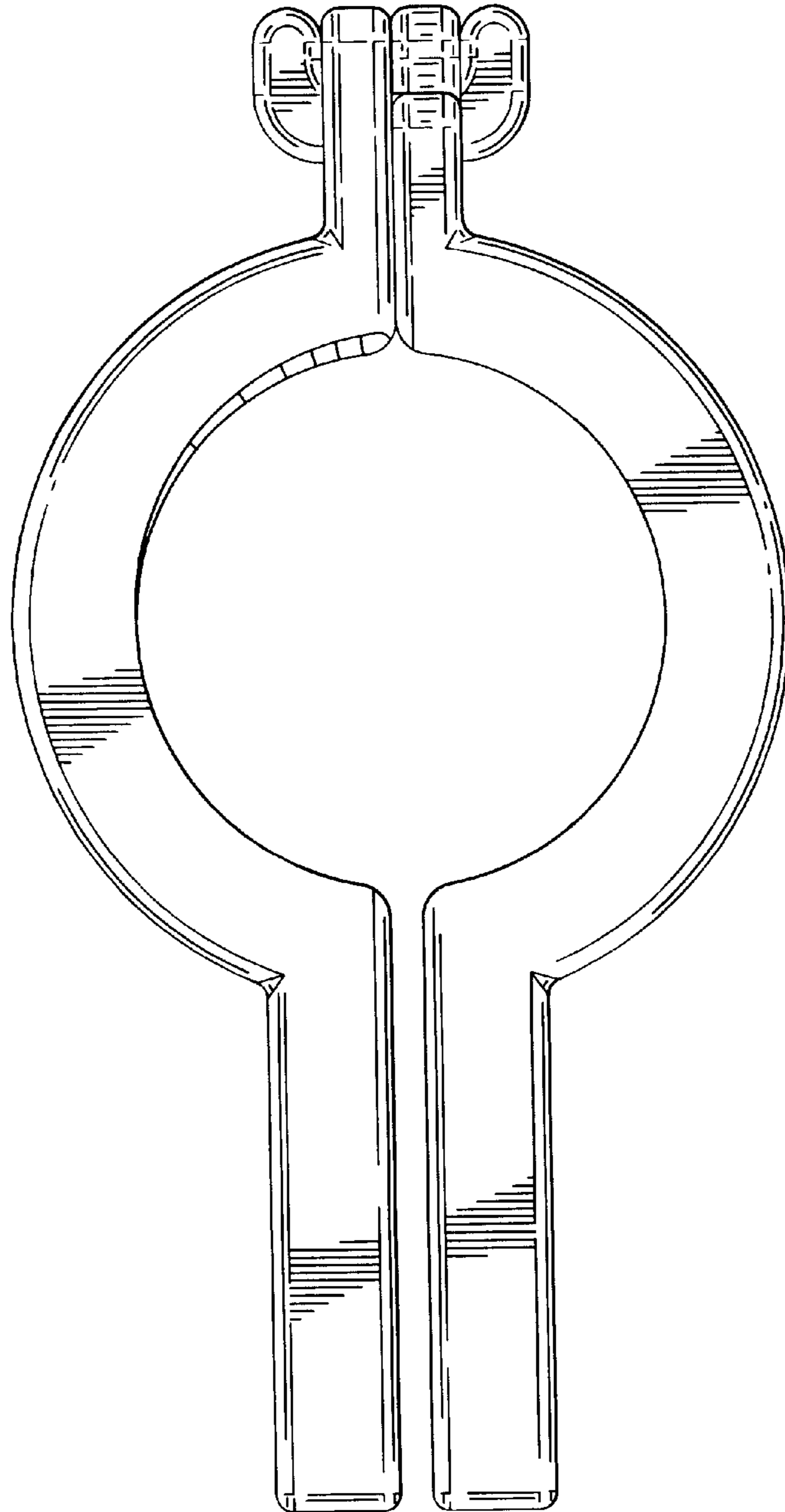


FIG. 6