



US00D482955S

(12) **United States Design Patent**  
**Segall**

(10) **Patent No.:** **US D482,955 S**

(45) **Date of Patent:** **\*\* Dec. 2, 2003**

(54) **CORNER CONNECTOR**

(75) **Inventor:** **Paul M. Segall, El Paso, TX (US)**

(73) **Assignee:** **La-La Imports, LP, El Paso, TX (US)**

(\*\*) **Term:** **14 Years**

D355,589 S	*	2/1995	Kuwata	.....	D8/382
5,454,661 A		10/1995	Litvin et al.		
5,499,882 A	*	3/1996	Waterhouse	.....	403/176
D381,573 S		7/1997	Saboujian		
5,984,567 A		11/1999	Gollin et al.		
D427,895 S	*	7/2000	Morton	.....	D8/382
6,341,916 B1	*	1/2002	Nettis et al.	.....	403/171

(21) **Appl. No.:** **29/160,963**

(22) **Filed:** **May 20, 2002**

(51) **LOC (7) Cl.** ..... **08-08**

(52) **U.S. Cl.** ..... **D8/382**

(58) **Field of Search** ..... D8/382; D23/262,  
D23/266; 403/170, 171, 176, 205, 217-219,  
298, DIG. 10

**FOREIGN PATENT DOCUMENTS**

GB	2 219 060 A	11/1989
WO	WO 91/19575	12/1991

\* cited by examiner

*Primary Examiner*—Alan P. Douglas

*Assistant Examiner*—Clare E. Heflin

(74) *Attorney, Agent, or Firm*—Fitch, Even, Tabin & Flannery

(56) **References Cited**

**U.S. PATENT DOCUMENTS**

1,818,172 A	*	8/1931	Sutherland	.....	403/205
2,679,911 A		6/1954	Bhend		
2,839,320 A	*	6/1958	Hill	.....	D8/382
3,074,203 A	*	1/1963	Paksy	.....	403/171
3,218,097 A		11/1965	Bowers et al.		
3,515,417 A		6/1970	Bowman		
3,645,569 A		2/1972	Reilly		
3,873,219 A	*	3/1975	Pofferi	.....	403/171
3,883,257 A	*	5/1975	Delafield	.....	403/298
3,932,048 A		1/1976	DuPont		
4,157,801 A		6/1979	Elmer		
4,242,969 A	*	1/1981	Checkwood et al.	.....	403/170
4,516,376 A		5/1985	King		
4,569,165 A	*	2/1986	Baker et al.	.....	403/171
4,636,106 A		1/1987	Waisbrod		
4,754,712 A		7/1988	Olson et al.		
4,852,501 A		8/1989	Olson et al.		
D303,457 S	*	9/1989	Stewart	.....	D8/382
4,905,443 A	*	3/1990	Sutcliffe et al.	.....	403/171
5,059,057 A		10/1991	Graef		

(57) **CLAIM**

The ornamental design for a corner connector, as shown and described.

**DESCRIPTION**

FIG. 1 is a perspective view showing my new design, comprising a corner connector;  
FIG. 2 is a top plan view thereof;  
FIG. 3 is a left side elevational view thereof;  
FIG. 4 is a right side elevational view thereof;  
FIG. 5 is a perspective view showing another embodiment of my new design, comprising a corner connector;  
FIG. 6 is a top plan view thereof;  
FIG. 7 is a left side elevational view thereof; and,  
FIG. 8 is a right side elevational view thereof.  
Portions of the corner connectors are shown in broken lines in FIGS. 1-8 for illustrative purposes only and form no part of the claimed design.

**1 Claim, 4 Drawing Sheets**

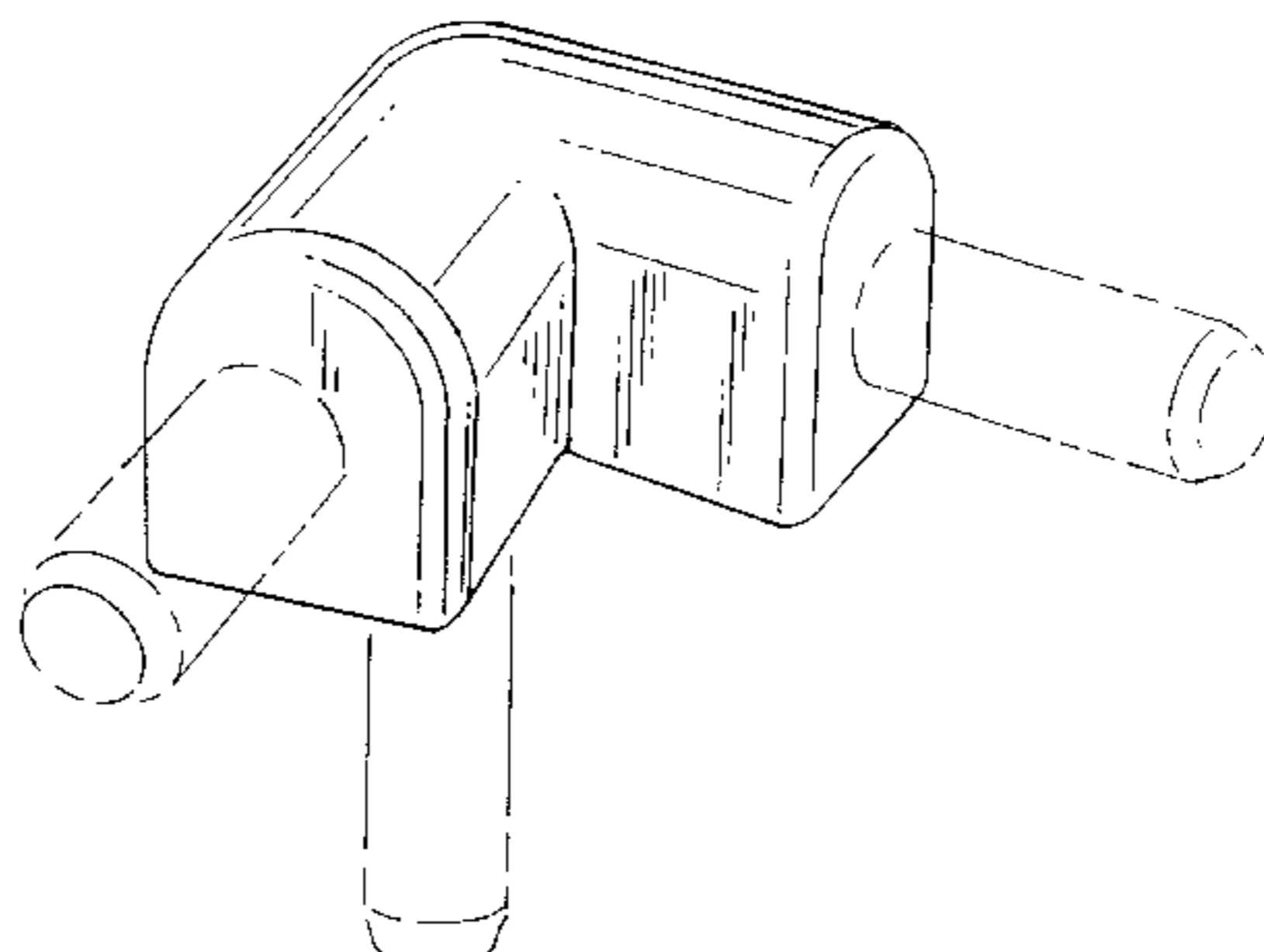
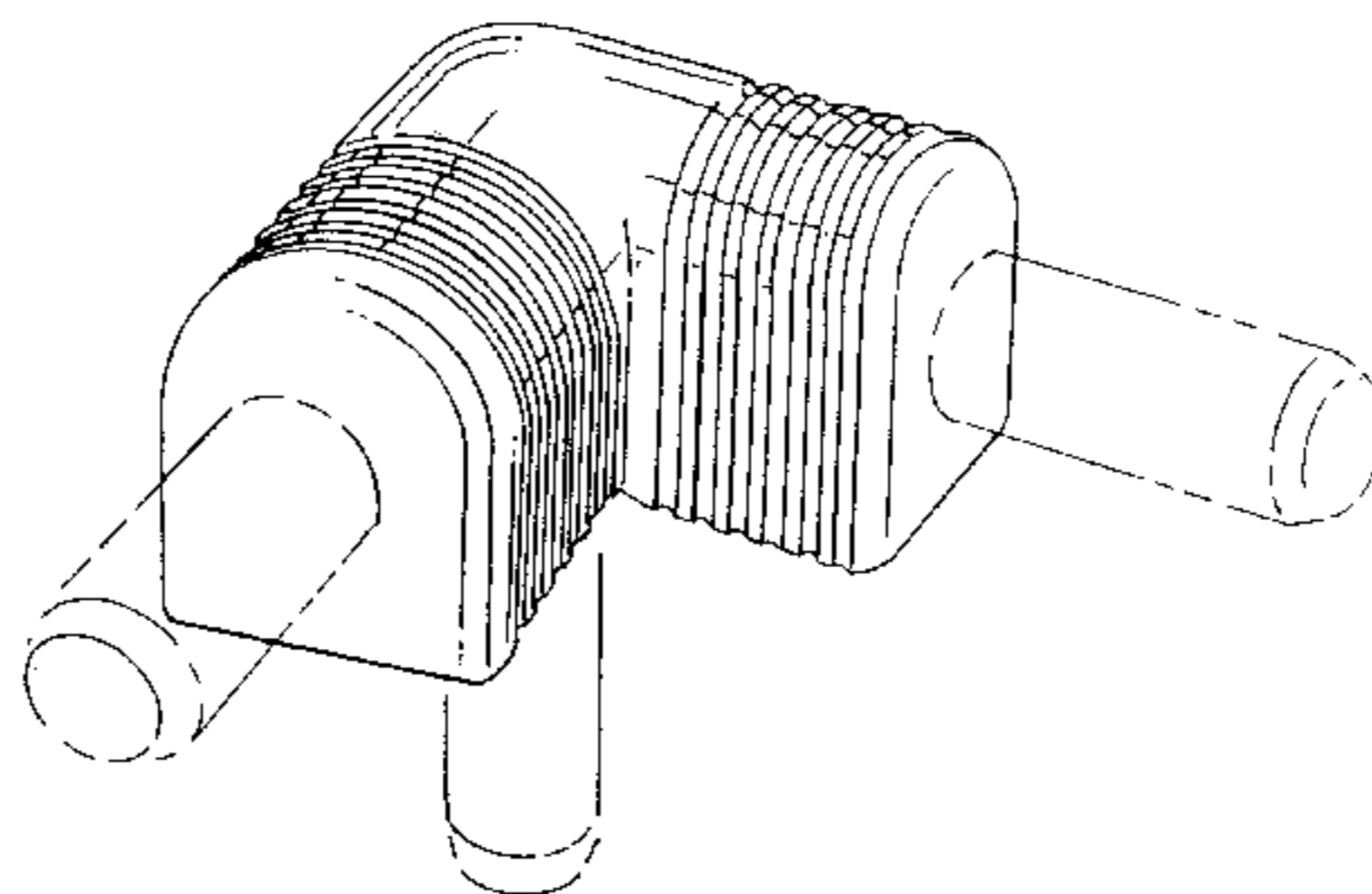


FIG. 1

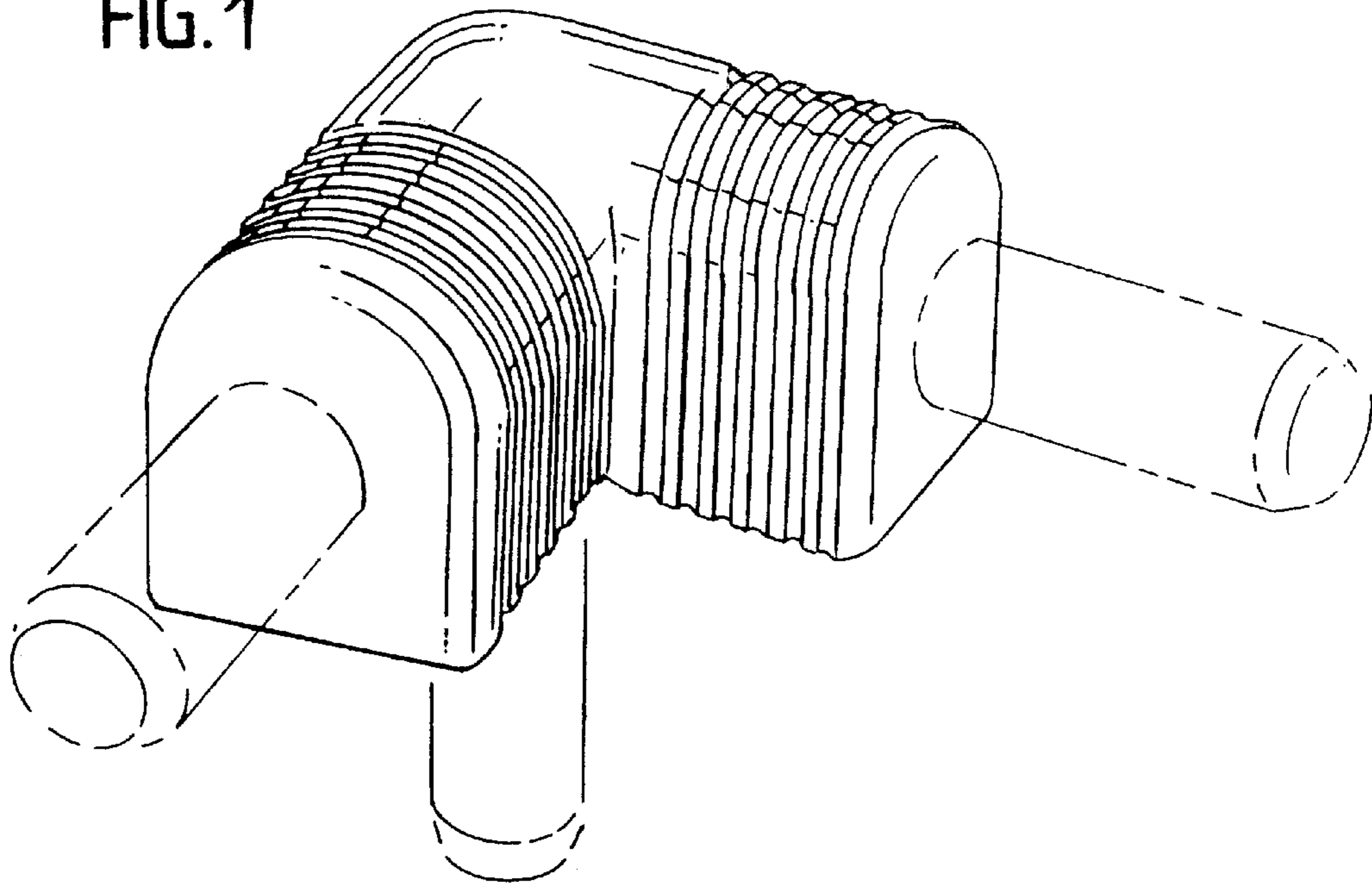


FIG. 2

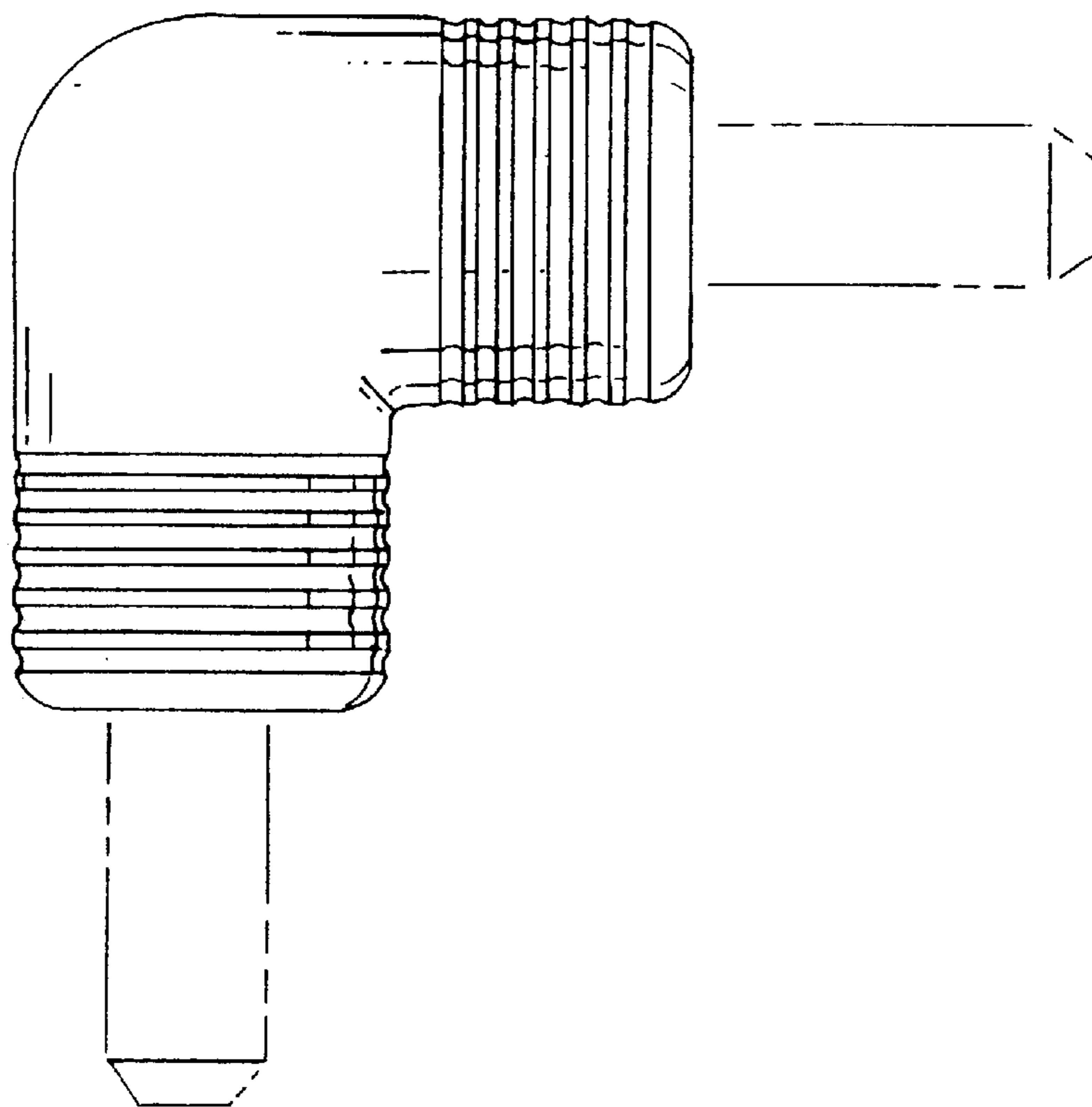


FIG. 3

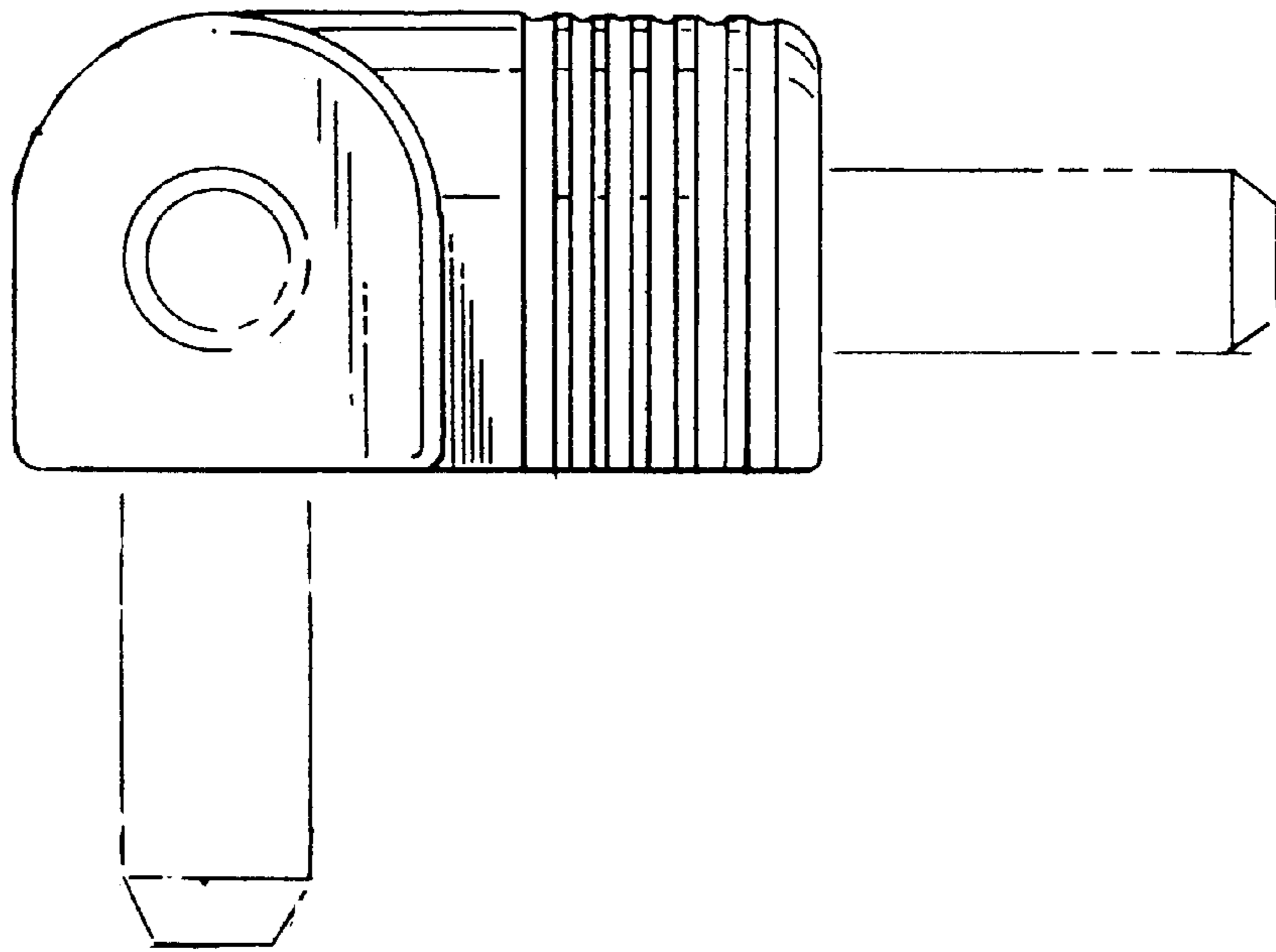


FIG. 4

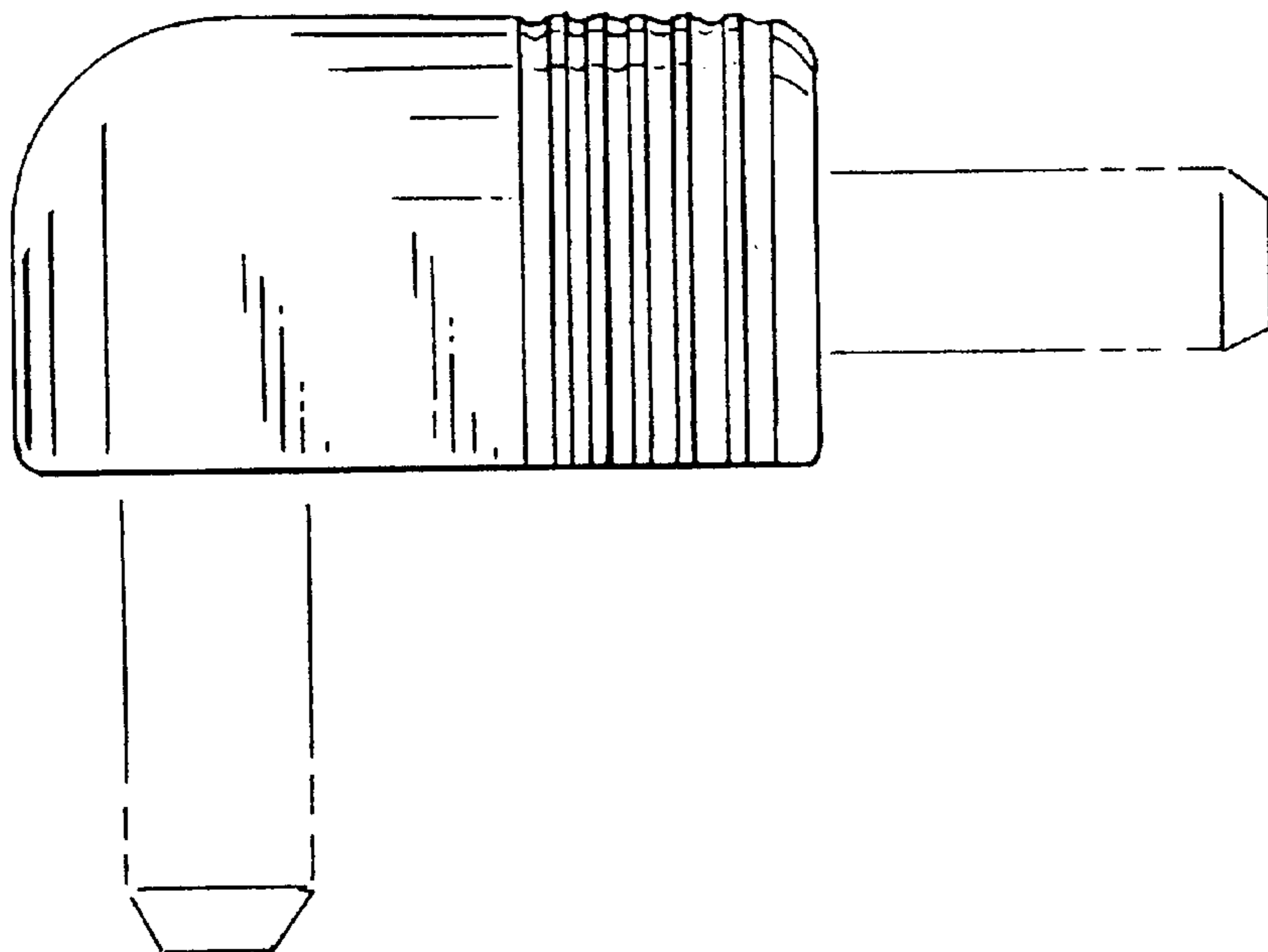


FIG. 5

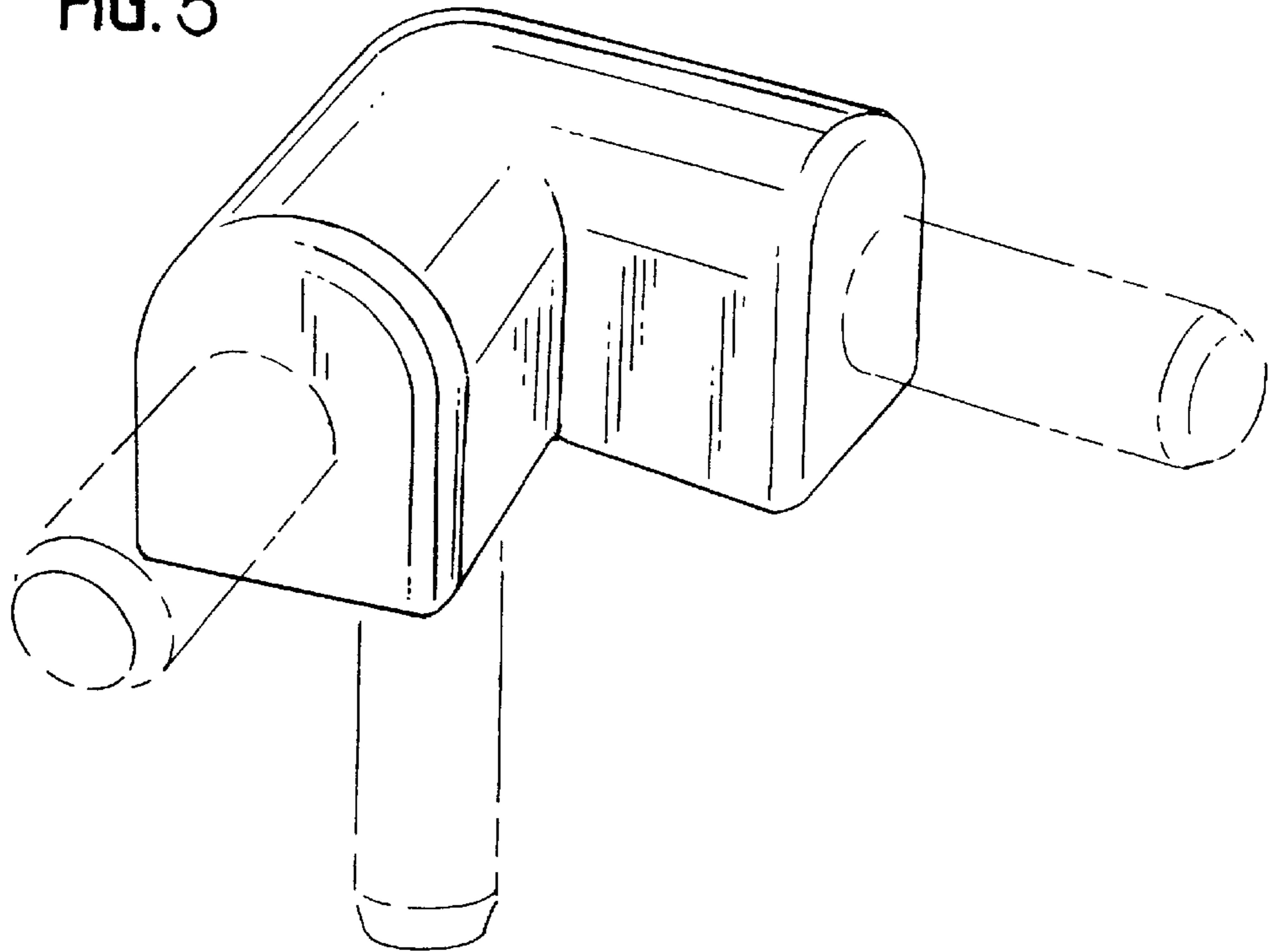


FIG. 6

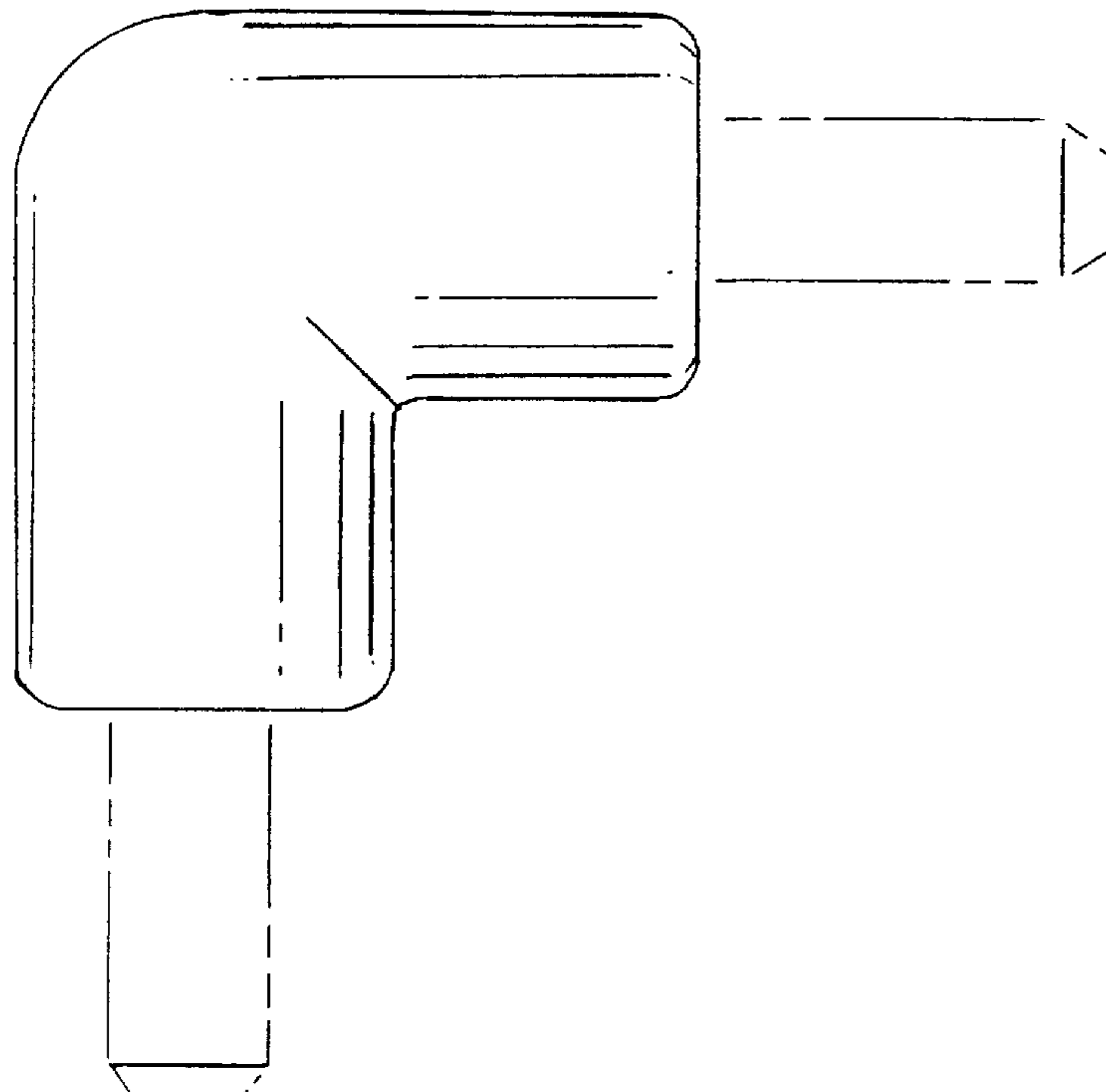


FIG. 7

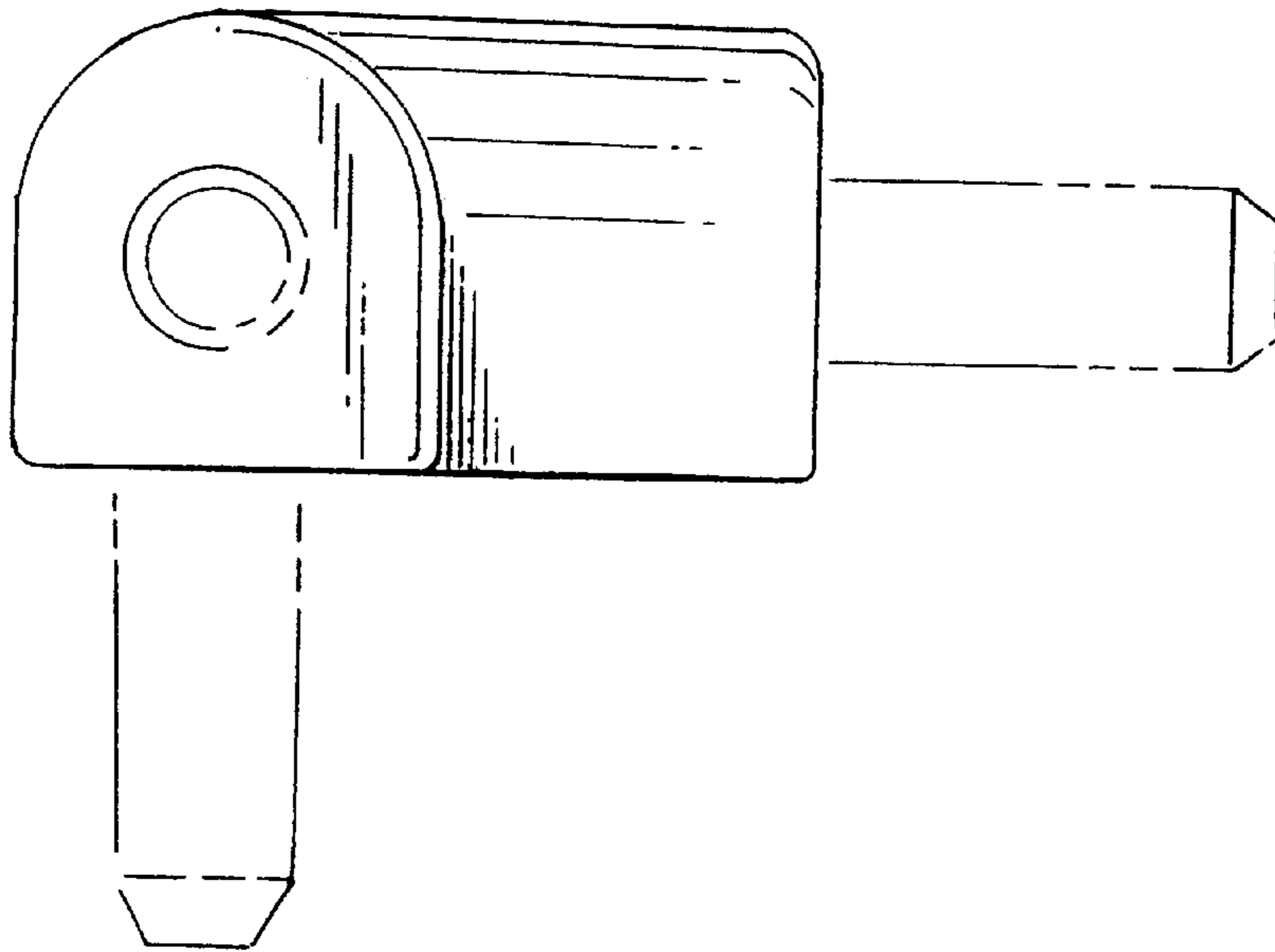


FIG. 8

