



US00D482954S

(12) **United States Design Patent**
Hoernig

(10) **Patent No.:** **US D482,954 S**

(45) **Date of Patent:** **** Dec. 2, 2003**

(54) **SHELF BRACKET**

(75) Inventor: **Victor Hoernig**, Lowell, IN (US)

(73) Assignee: **Bath Unlimited, Inc.**, Fort Mill, SC (US)

(**) Term: **14 Years**

(21) Appl. No.: **29/166,037**

(22) Filed: **Aug. 21, 2002**

(51) **LOC (7) Cl.** **08-05**

(52) **U.S. Cl.** **D8/381**

(58) **Field of Search** D8/380-381, 363;
248/466, 235, 544, 243

(56) **References Cited**

U.S. PATENT DOCUMENTS

D270,034 S * 8/1983 Shepard D8/381
D377,449 S * 1/1997 Roberts et al. D8/381
D404,285 S * 1/1999 Skudelny D8/354

OTHER PUBLICATIONS

DM/058413 (Umberto Confalonieri & C.S.R.L.) Feb. 10, 2001 (abstract). [online] [retrieved on Jun. 3, 2003]. Retrieved from WIPO Industrial Design Database.*

DM/046927 (Plaudo Deutschland GmbH) Feb. 25, 1999 (abstract). [online][retrieved on Jun. 3, 2003]. Retrieved from WIPO Industrial Design Database.*

DM/054489 (Engler URS) Dec. 27, 2000 (abstract). [online] [retrieved on Jun. 3, 2003]. Retrieved from WIPO Industrial Design Database.*

* cited by examiner

Primary Examiner—Holly Baynham

(74) *Attorney, Agent, or Firm*—Edgar A. Zarins; Lloyd D. Doigan

(57) **CLAIM**

The ornamental design for a shelf bracket, as shown and described.

DESCRIPTION

FIG. 1 is a perspective view of a shelf bracket showing my new design;

FIG. 2 is a front elevational view thereof;

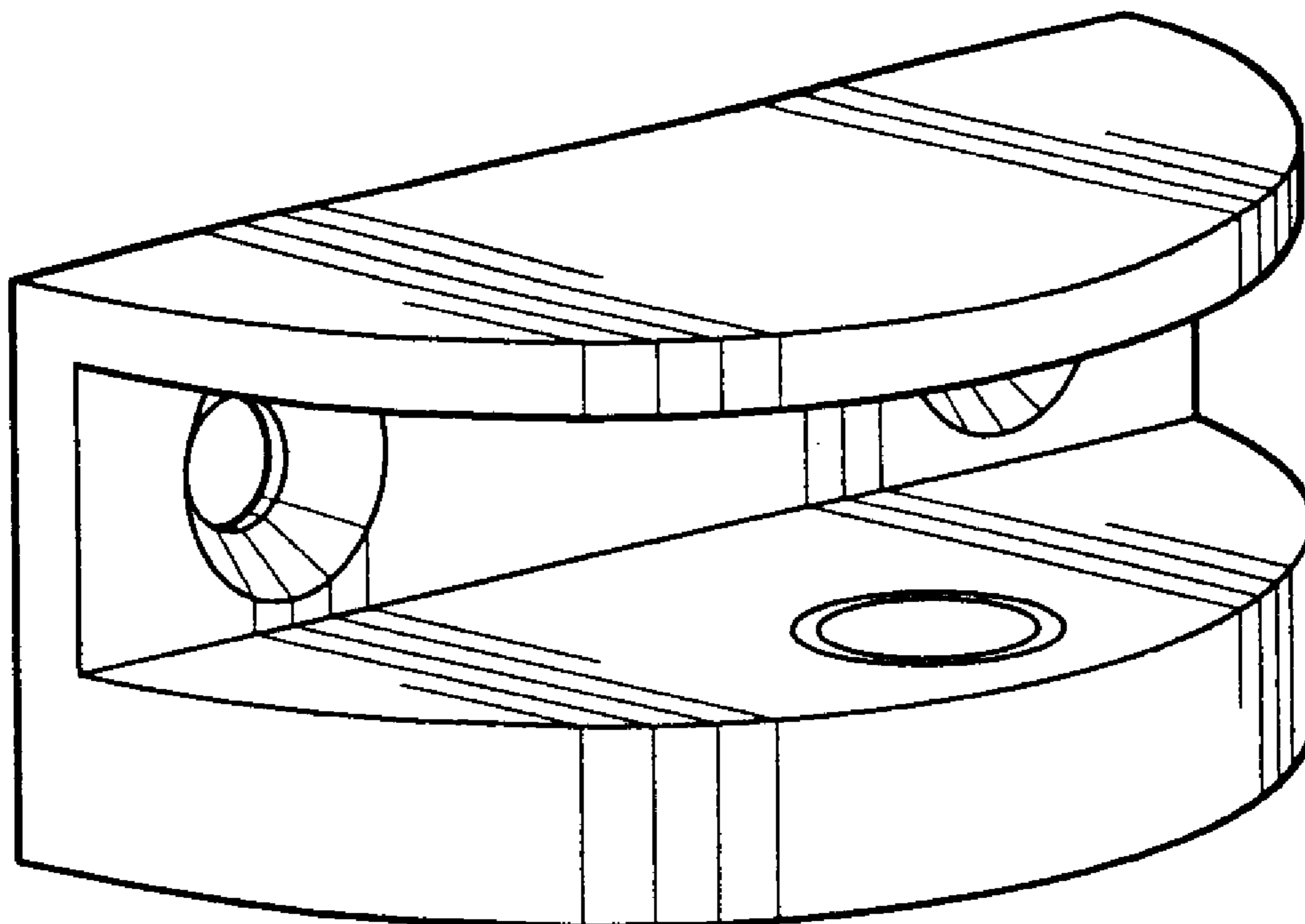
FIG. 3 is a rear view thereof;

FIG. 4 is a right side view thereof, the opposite side being a mirror image of the side shown;

FIG. 5 is a top plan view thereof; and,

FIG. 6 is a bottom view thereof.

1 Claim, 2 Drawing Sheets



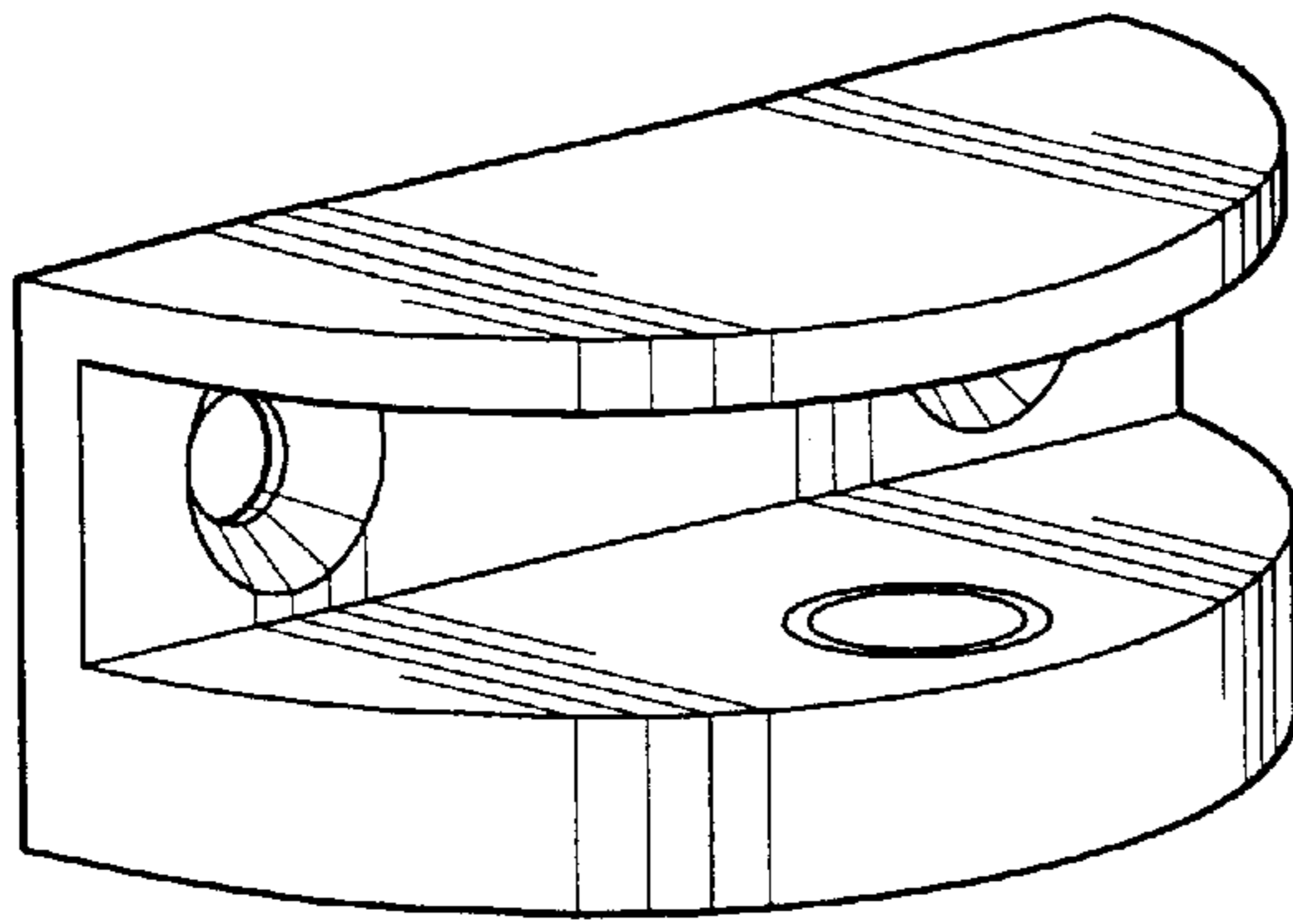


Fig-1

Fig-2

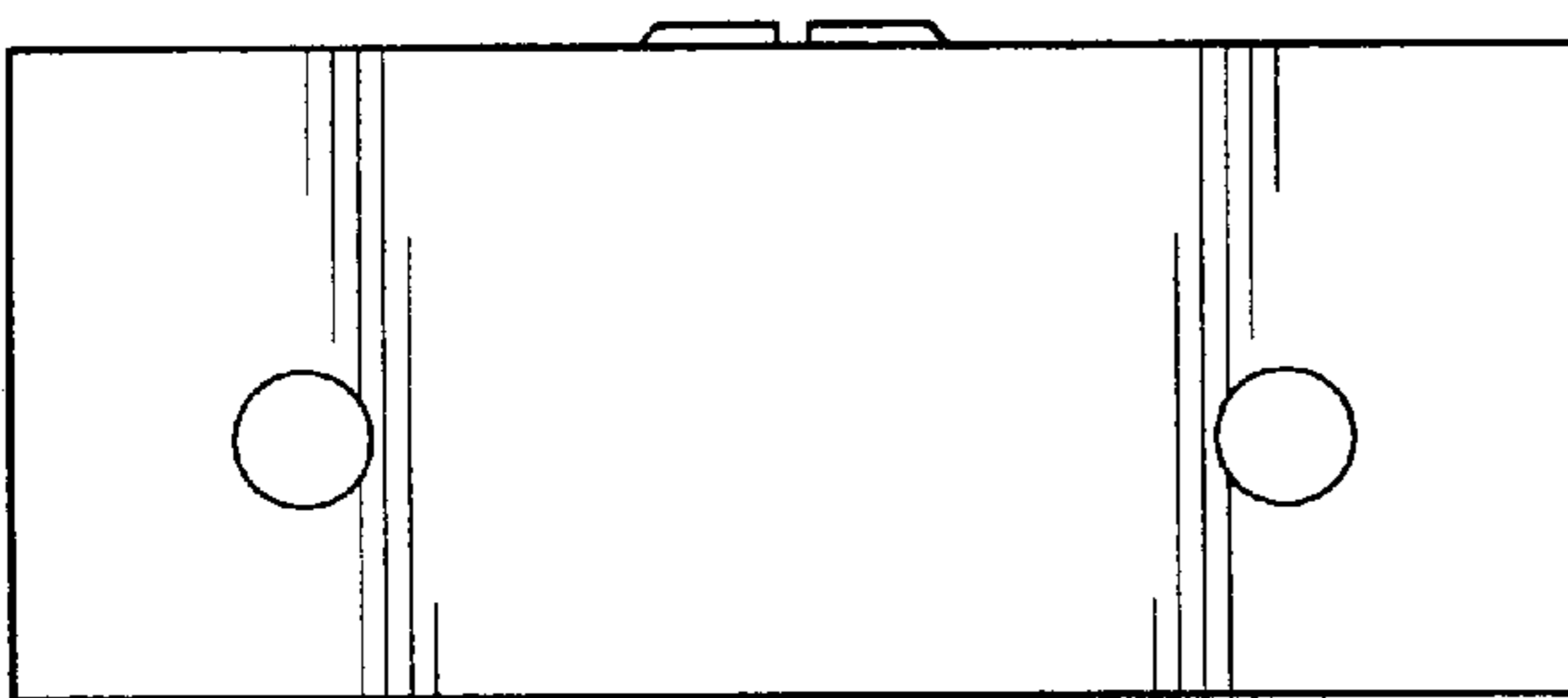
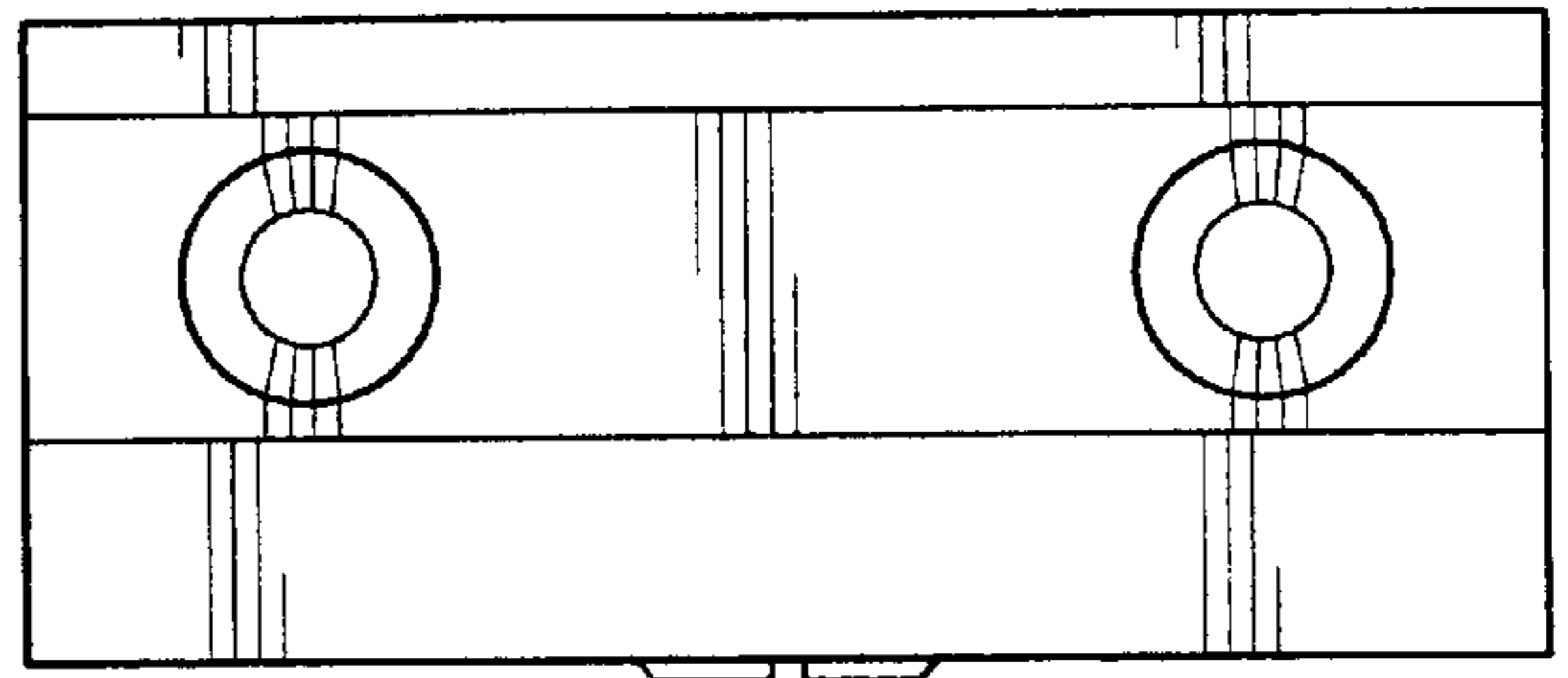


Fig-3

Fig-4

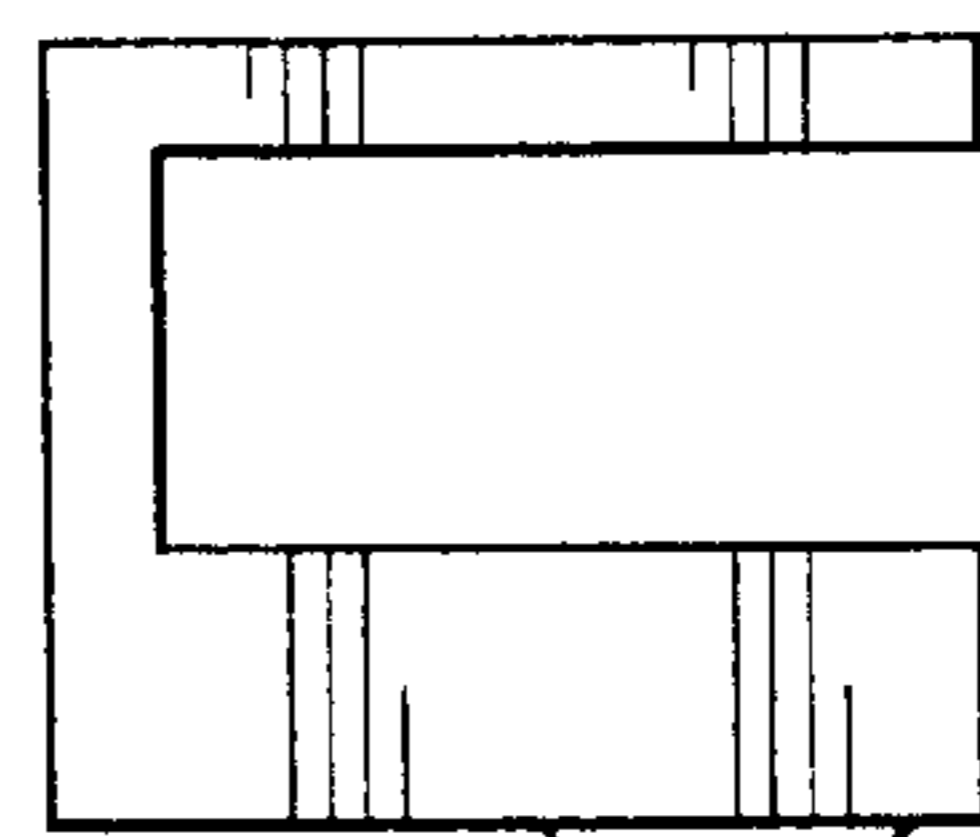


Fig-5

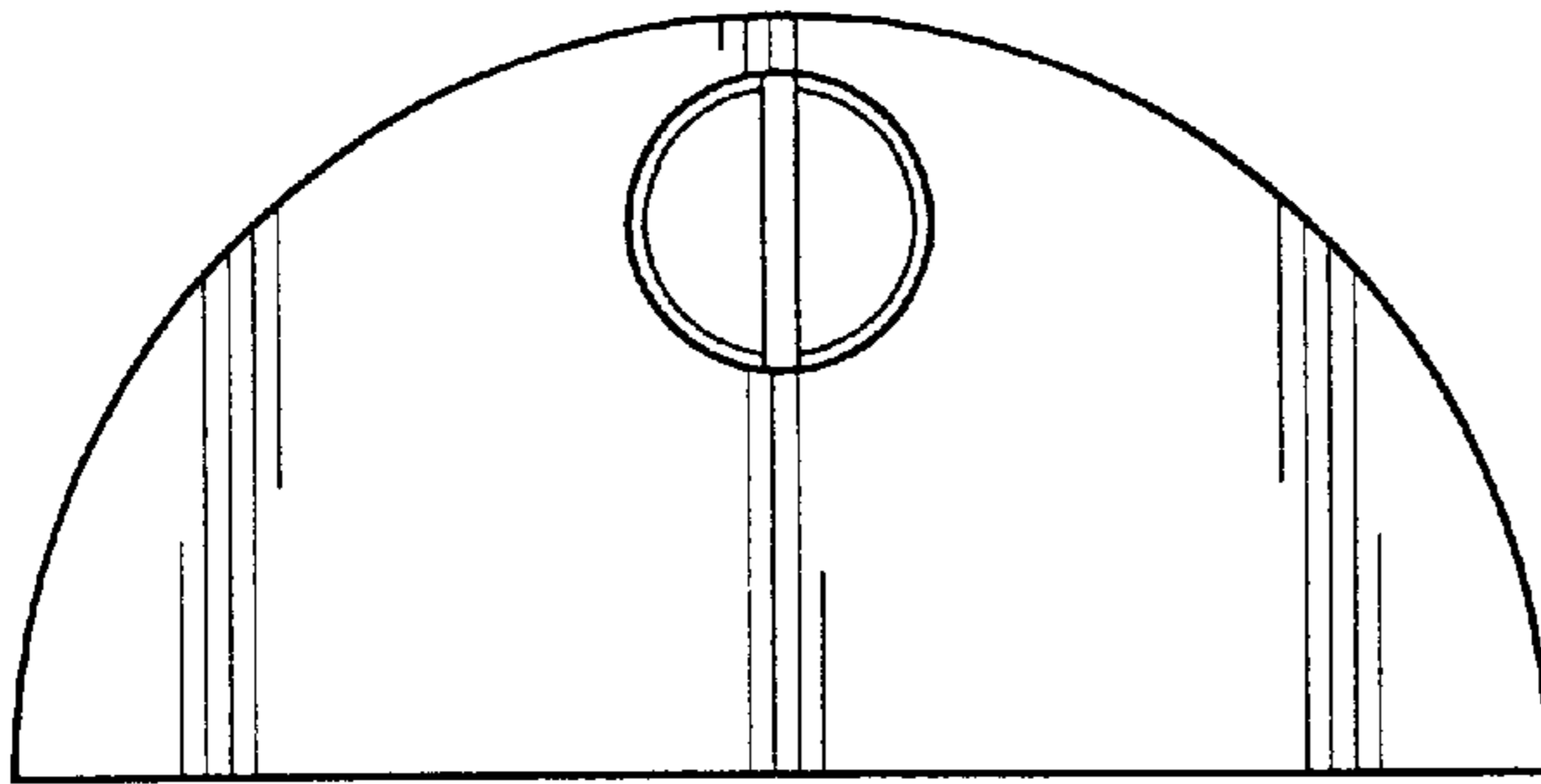
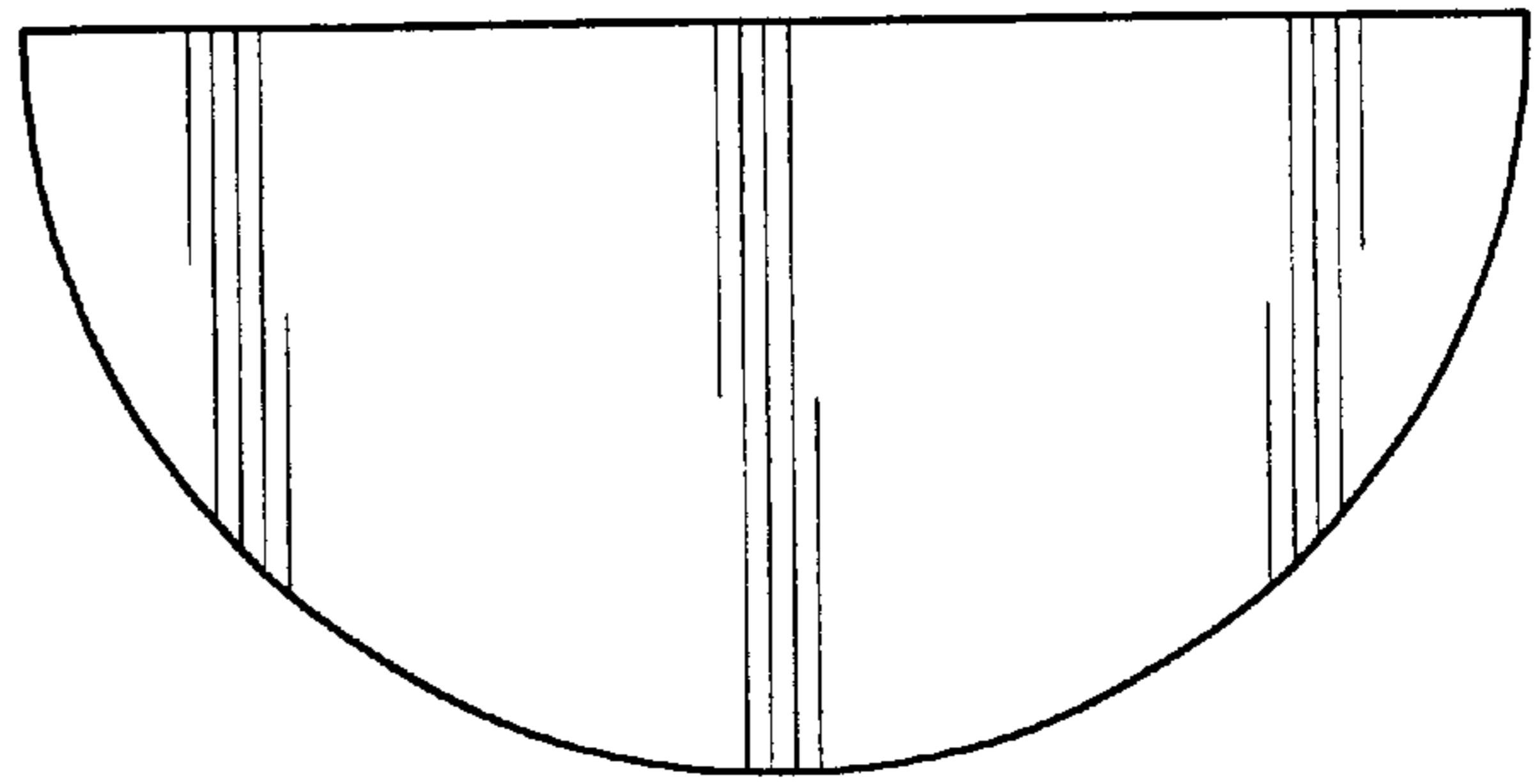


Fig-6