



US00D482953S

(12) **United States Design Patent**
Sword et al.

(10) **Patent No.:** **US D482,953 S**

(45) **Date of Patent:** **** Dec. 2, 2003**

(54) **SHOWER ROD ADAPTOR**

4,754,504 A * 7/1988 Cellini 4/610
D415,014 S * 10/1999 Bruton D8/376

(76) Inventors: **Patricia C. Sword**, 13800 Jefferson St.,
Grand Island, FL (US) 32735; **Thomas**
A. Sword, 13800 Jefferson St., Grand
Island, FL (US) 32735

* cited by examiner

Primary Examiner—Holly Baynham

(**) Term: **14 Years**

(57) **CLAIM**

The ornamental design for a shower rod adaptor, as shown
and described.

(21) Appl. No.: **29/174,265**

(22) Filed: **Jan. 14, 2003**

DESCRIPTION

(51) **LOC (7) Cl.** **08-05**

(52) **U.S. Cl.** **D8/376**

(58) **Field of Search** D8/380, 376, 363;
4/610; 160/178.1 R, 170

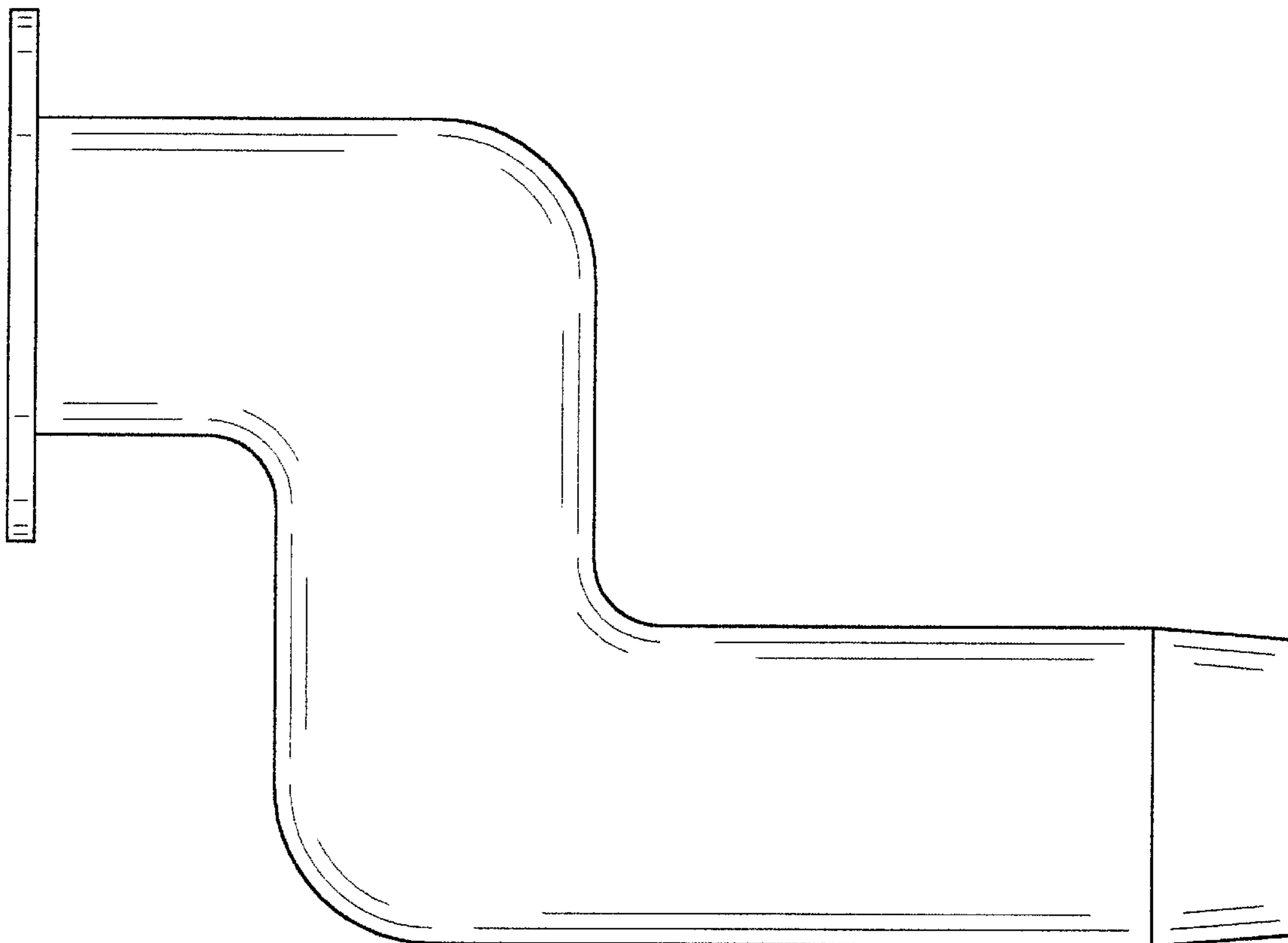
FIG. 1 is a front elevational view of a shower rod adaptor
showing our new design, the rear elevational view being a
mirror image thereof;
FIG. 2 is a side view, taken from the left side of FIG. 1;
FIG. 4 is a side view, taken from the right side of FIG. 1;
FIG. 4 is a top plan view thereof; and,
FIG. 5 is a bottom plan view thereof.

(56) **References Cited**

U.S. PATENT DOCUMENTS

4,229,842 A * 10/1980 Gilmore 4/610

1 Claim, 3 Drawing Sheets



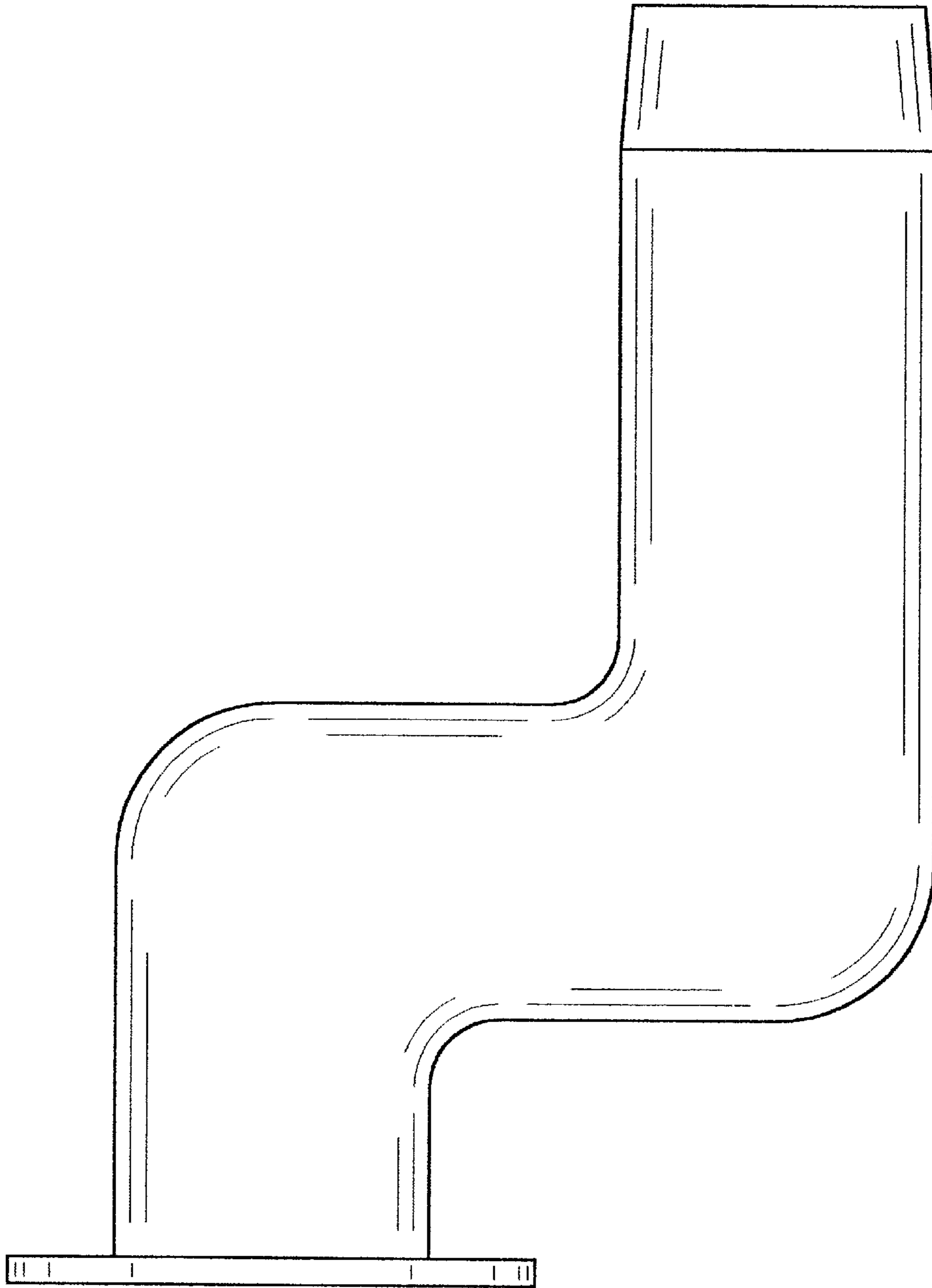


FIG. 1

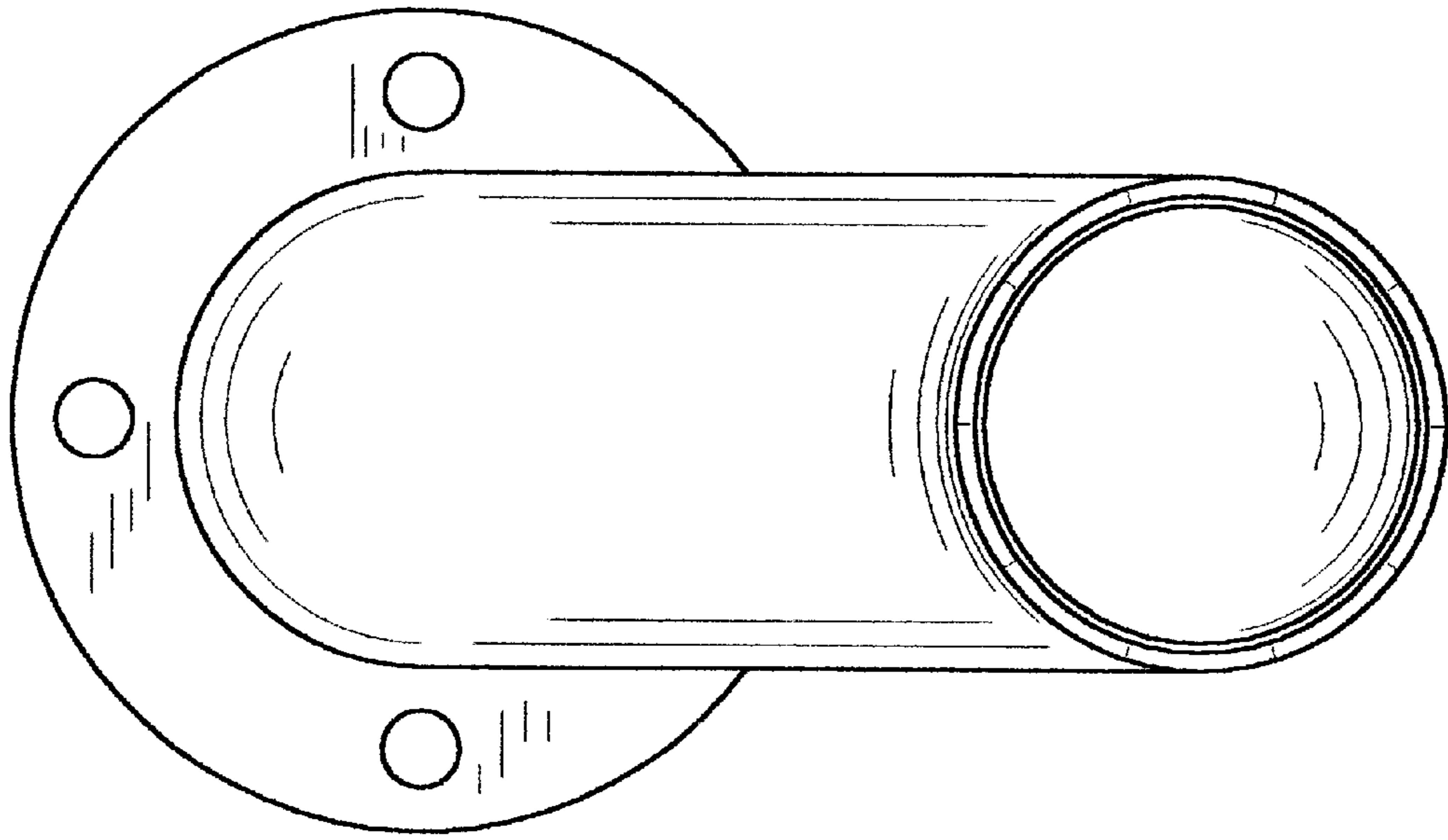


FIG. 3

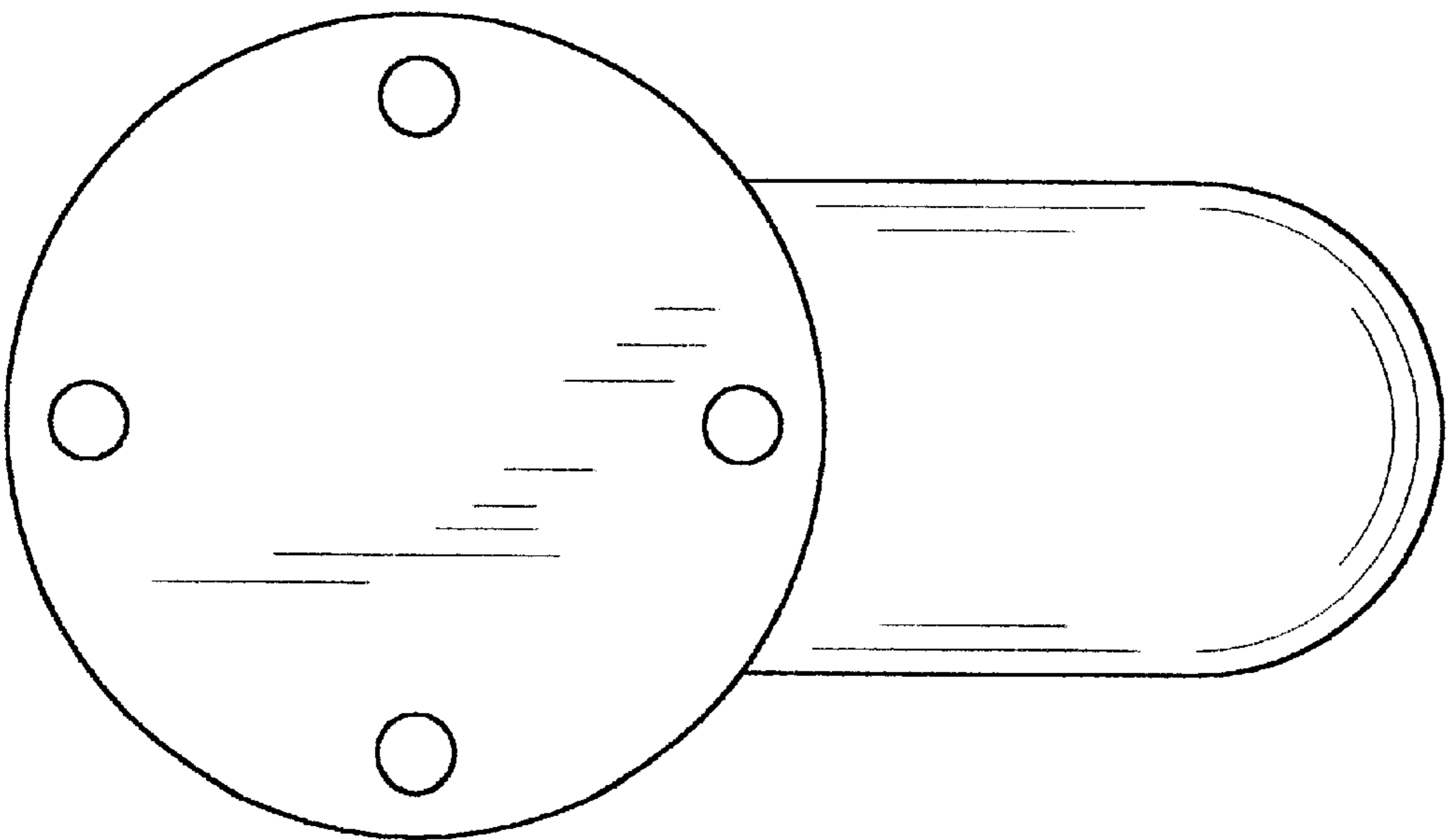


FIG. 2

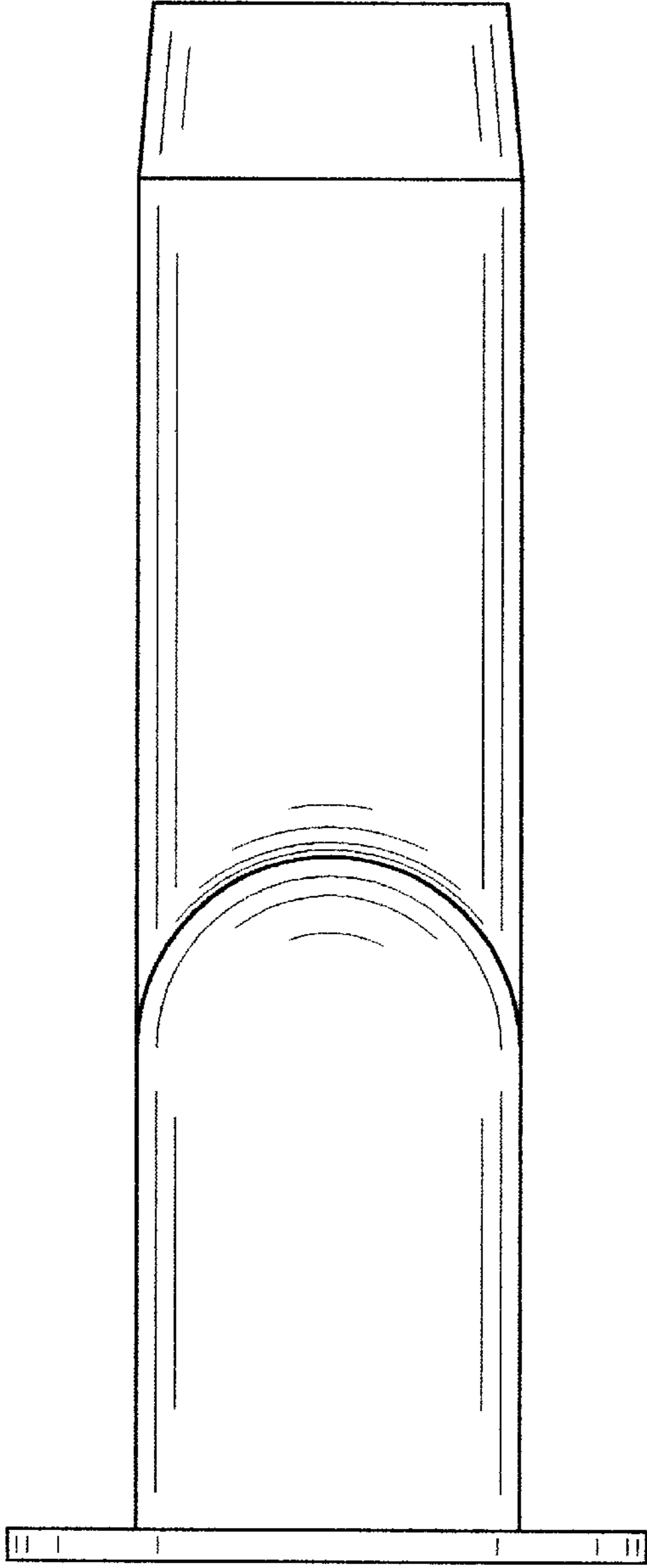


FIG. 4

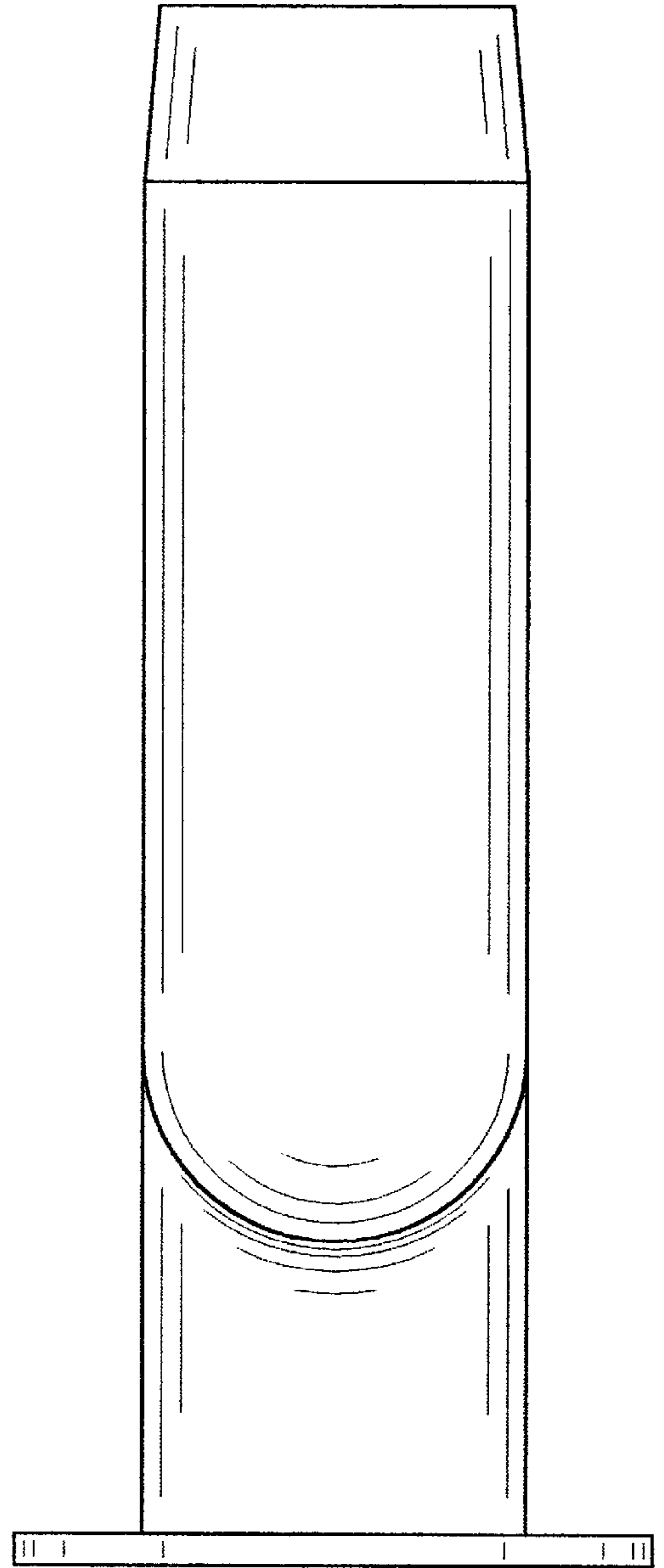


FIG. 5