



US00D482951S

(12) **United States Design Patent**  
**Ling**

(10) **Patent No.:** **US D482,951 S**

(45) **Date of Patent:** **\*\* Dec. 2, 2003**

(54) **COMPUTER LOCK**

D472,789 S 4/2003 Ling

(76) Inventor: **Renny Tse-Haw Ling**, c/o Sinox Co.,  
Ltd., P.O. Box 4-50, Chung-Ho City,  
Taipei Hsien (TW)

*Primary Examiner*—M. H. Tung  
(74) *Attorney, Agent, or Firm*—Birch, Stewart, Kolasch &  
Birch, LLP

(\*\*) Term: **14 Years**

(57) **CLAIM**

The ornamental design for “computer lock”, as shown and described.

(21) Appl. No.: **29/166,494**

(22) Filed: **Aug. 29, 2002**

**DESCRIPTION**

(51) **LOC (7) Cl.** ..... **08-07**

(52) **U.S. Cl.** ..... **D8/331**

(58) **Field of Search** ..... D14/432, 433;  
D8/330, 331, 343; 70/14, 57, 57.1, 58,  
163, 158, 174

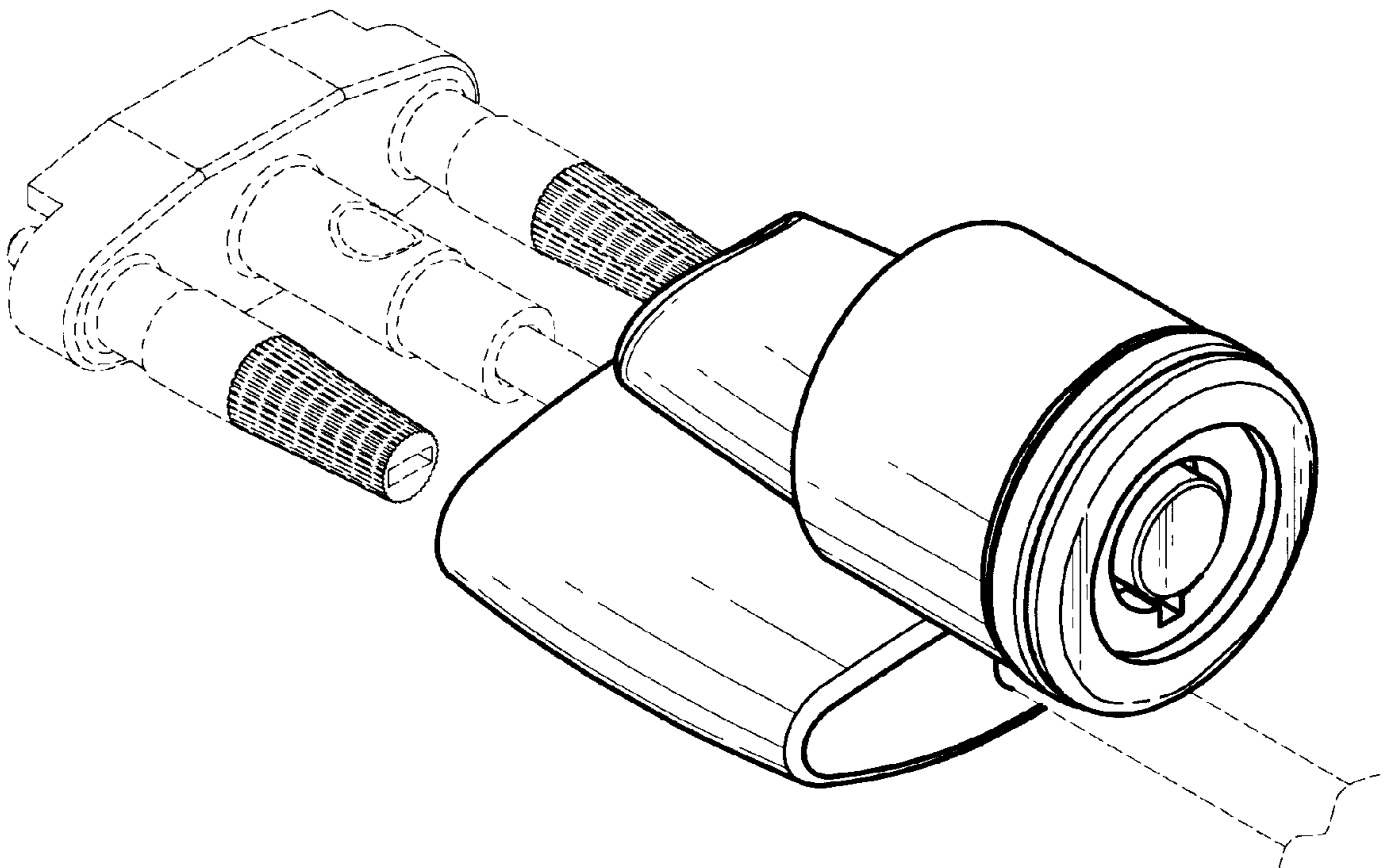
FIG. 1 is a left side perspective view of a computer lock showing my new design;  
FIG. 2 is a right side elevational view;  
FIG. 3 is a top plan view thereof;  
FIG. 4 is a front side elevational view;  
FIG. 5 is a bottom plan view thereof;  
FIG. 6 is a left side elevational view;  
FIG. 7 is a rear side elevational view; and,  
FIG. 8 is a right side perspective view thereof, the broken line drawing is for illustrative purposes only and forms no part of the claimed design.

(56) **References Cited**

**U.S. PATENT DOCUMENTS**

5,327,752 A	7/1994	Myers et al.
D370,621 S	6/1996	Themistos et al.
6,257,029 B1	7/2001	Liao
6,463,770 B1	10/2002	Lee
D471,785 S	3/2003	Yu

**1 Claim, 4 Drawing Sheets**



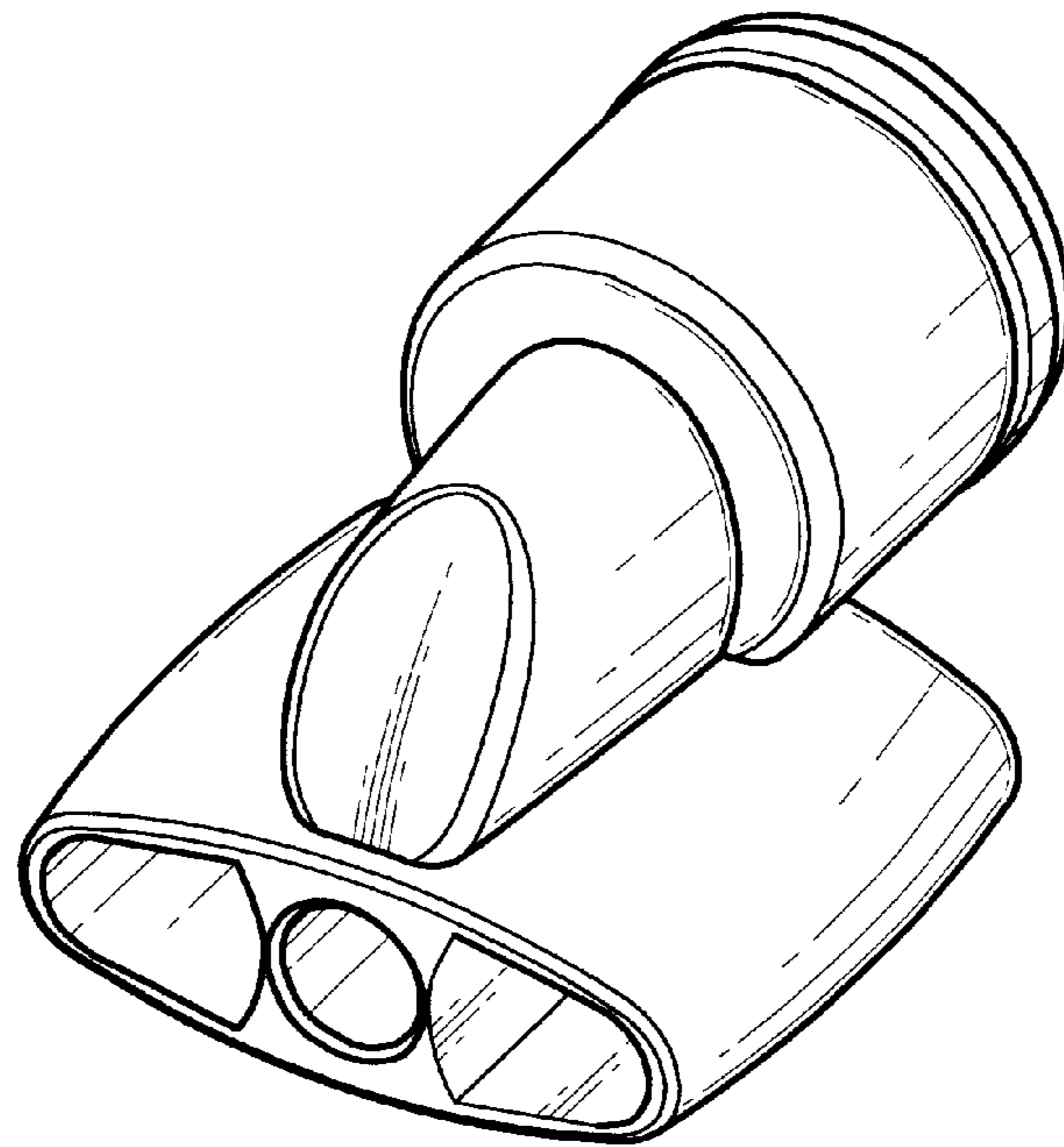


Fig. 1

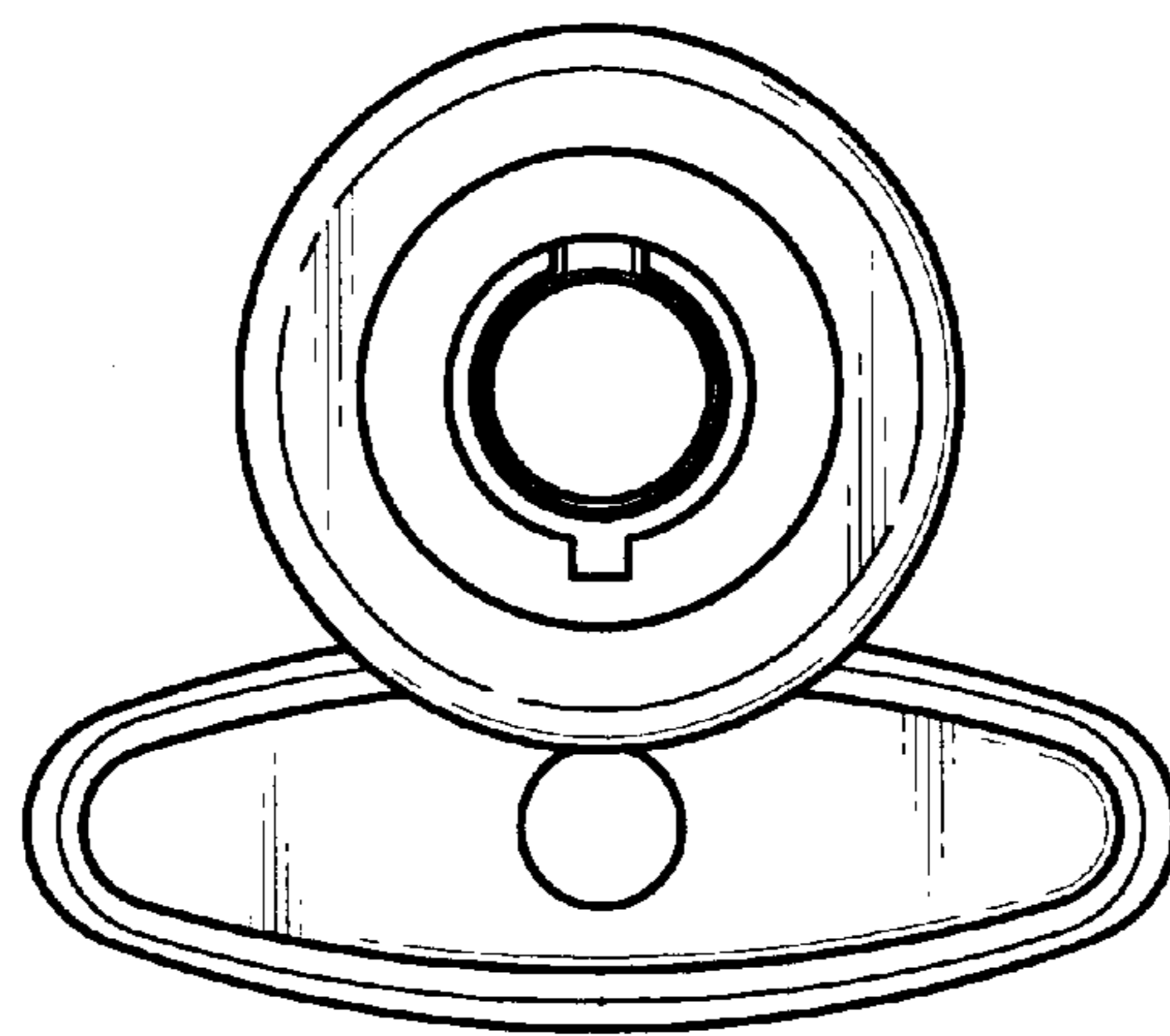


Fig. 2

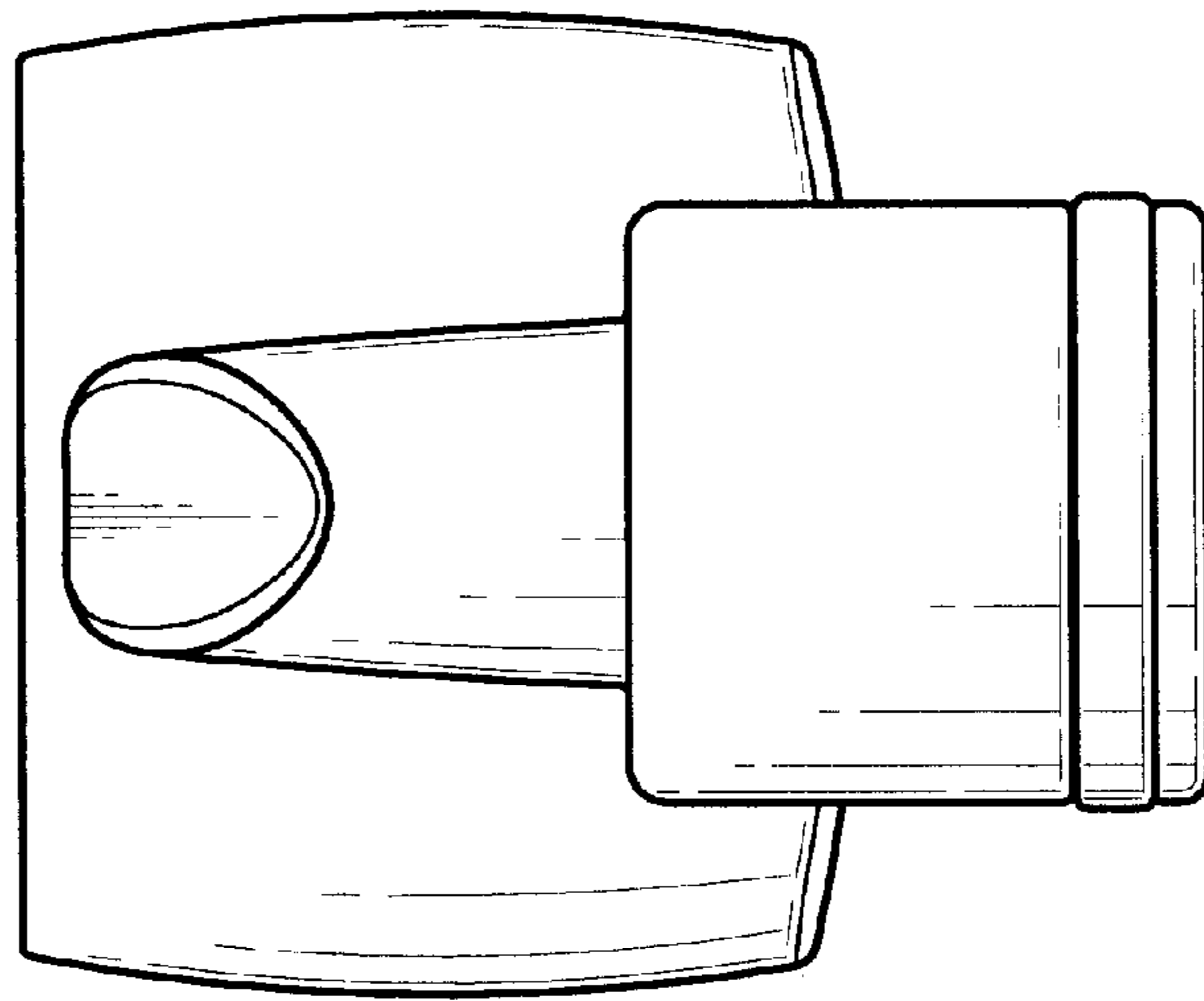


Fig. 3

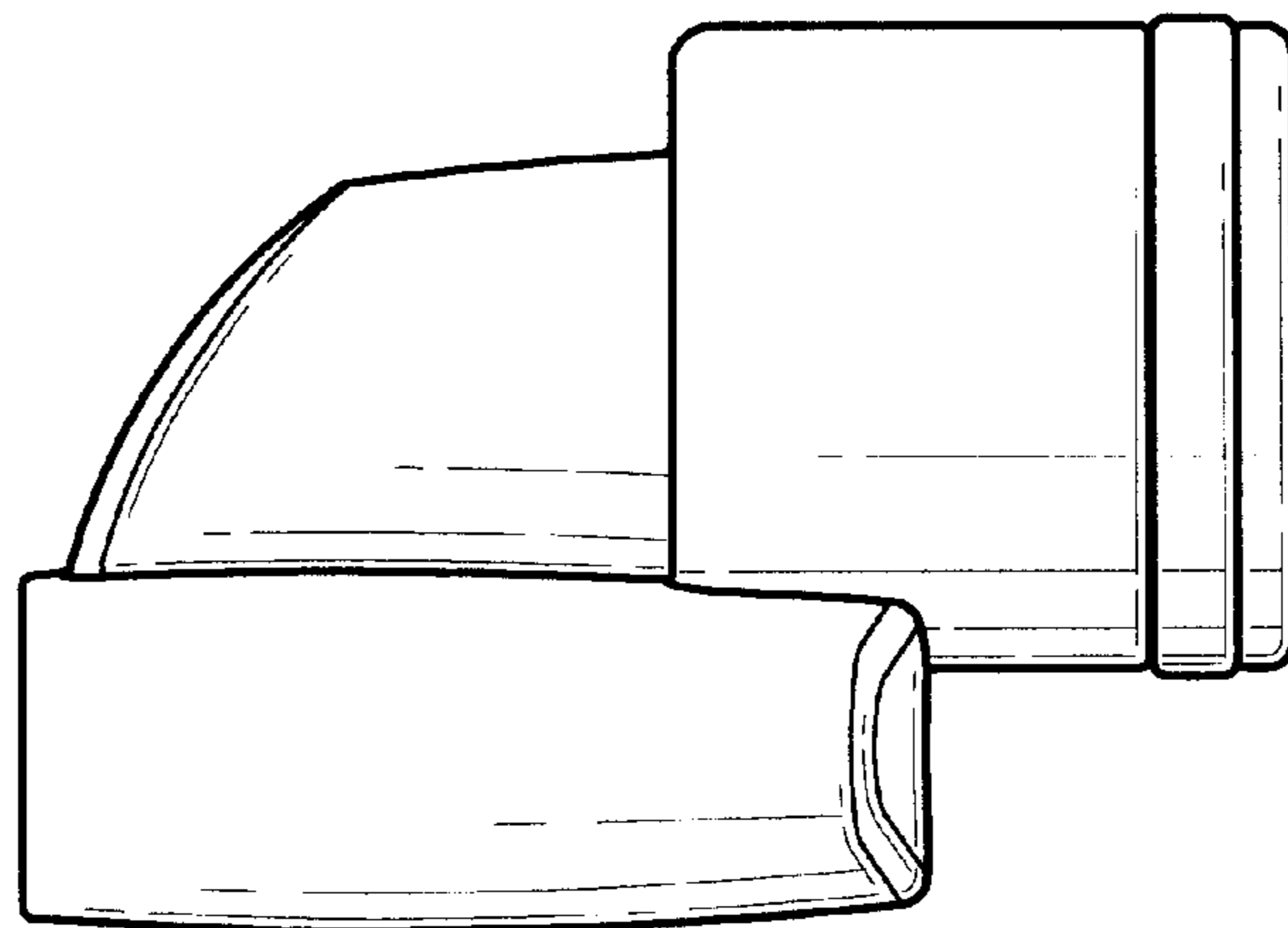


Fig. 4

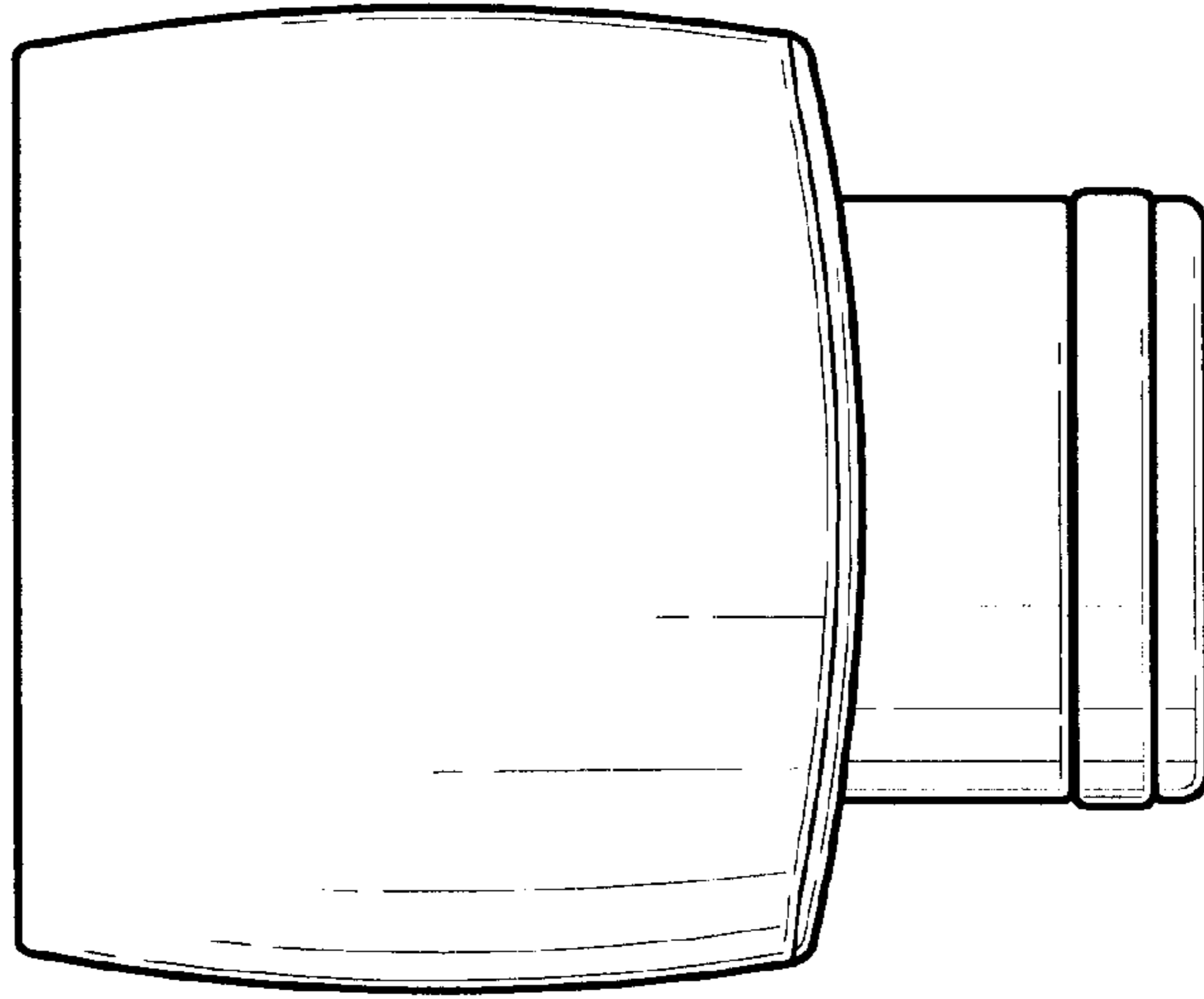


Fig. 5

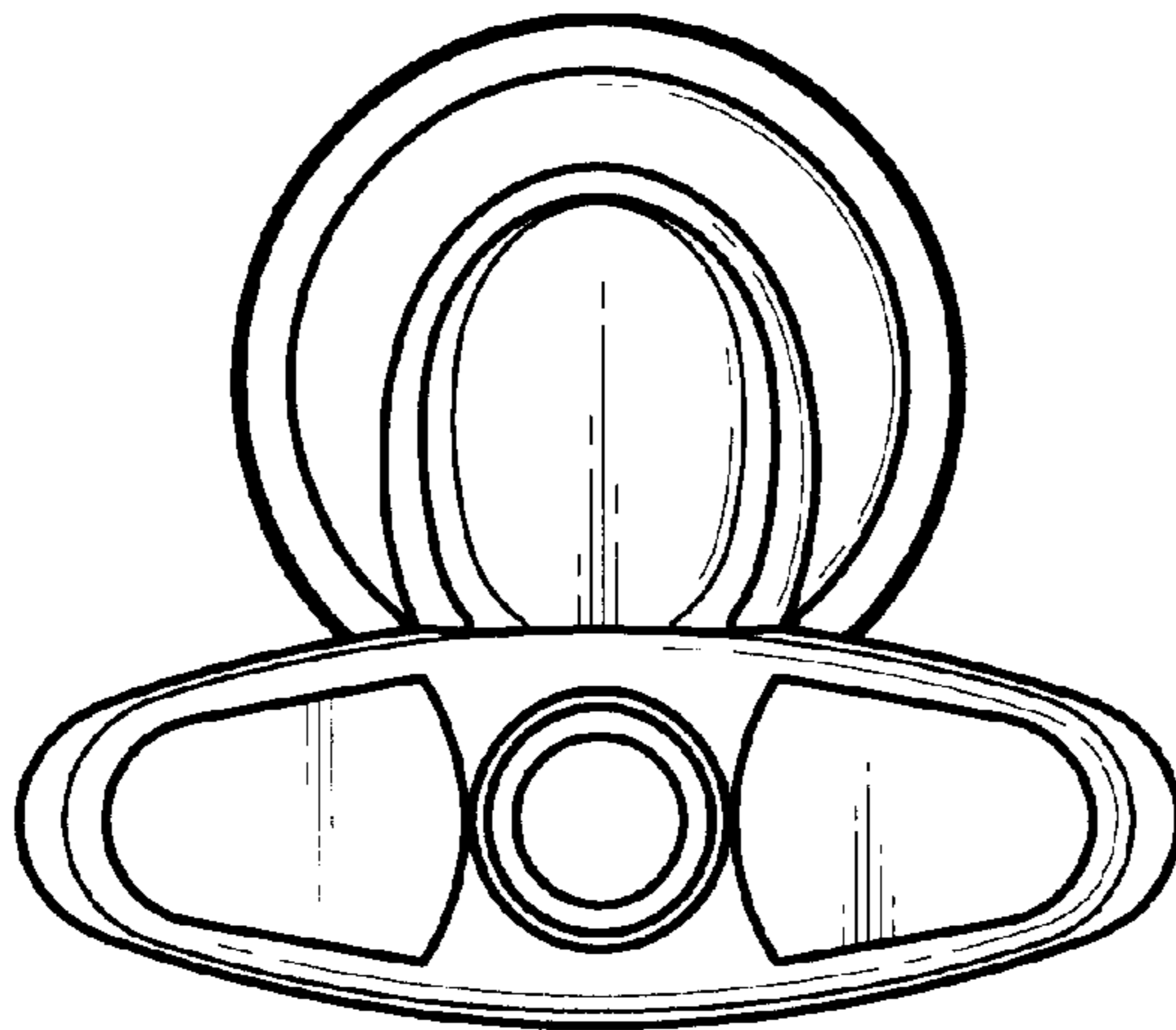


Fig. 6

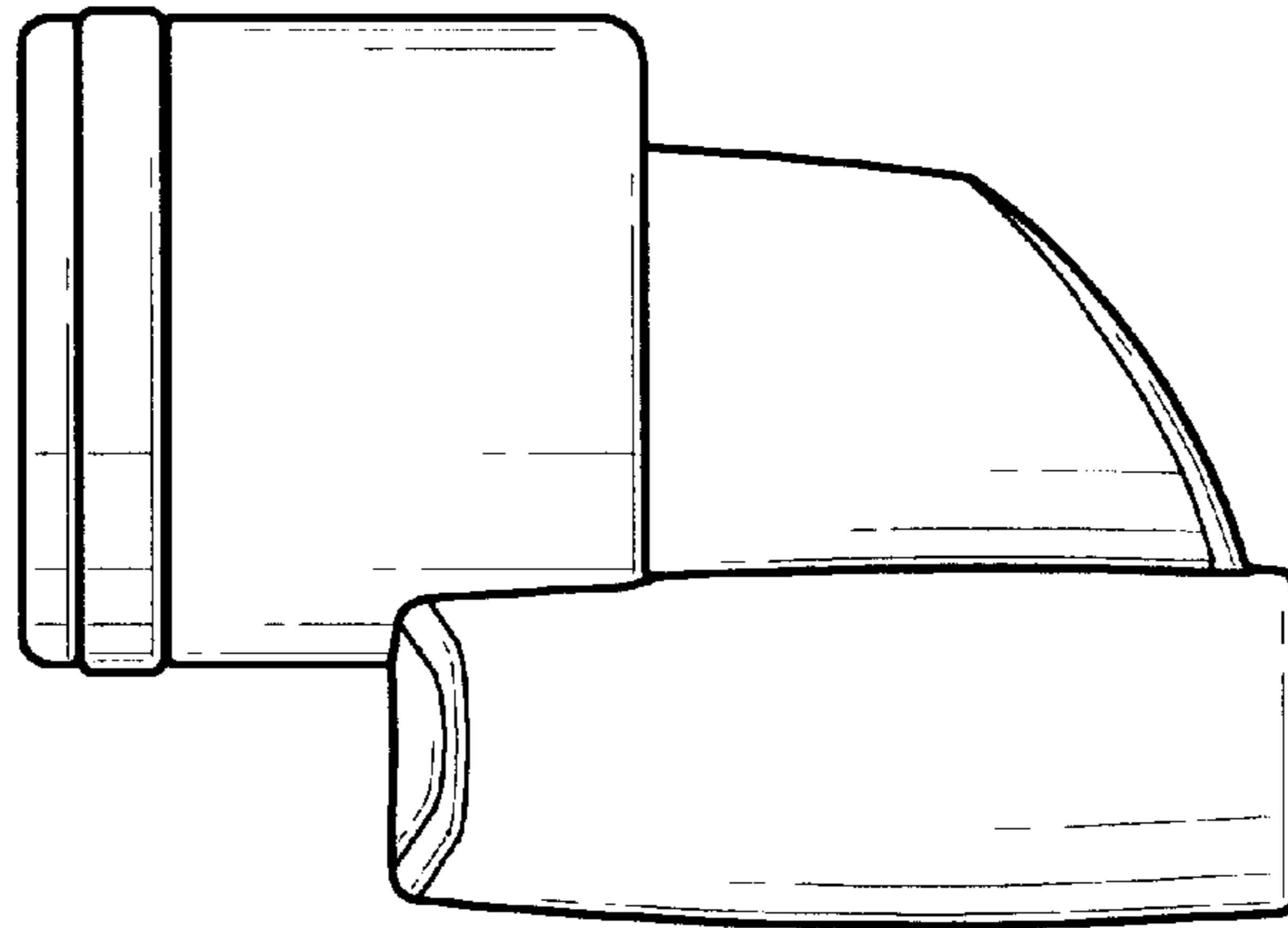


Fig. 7

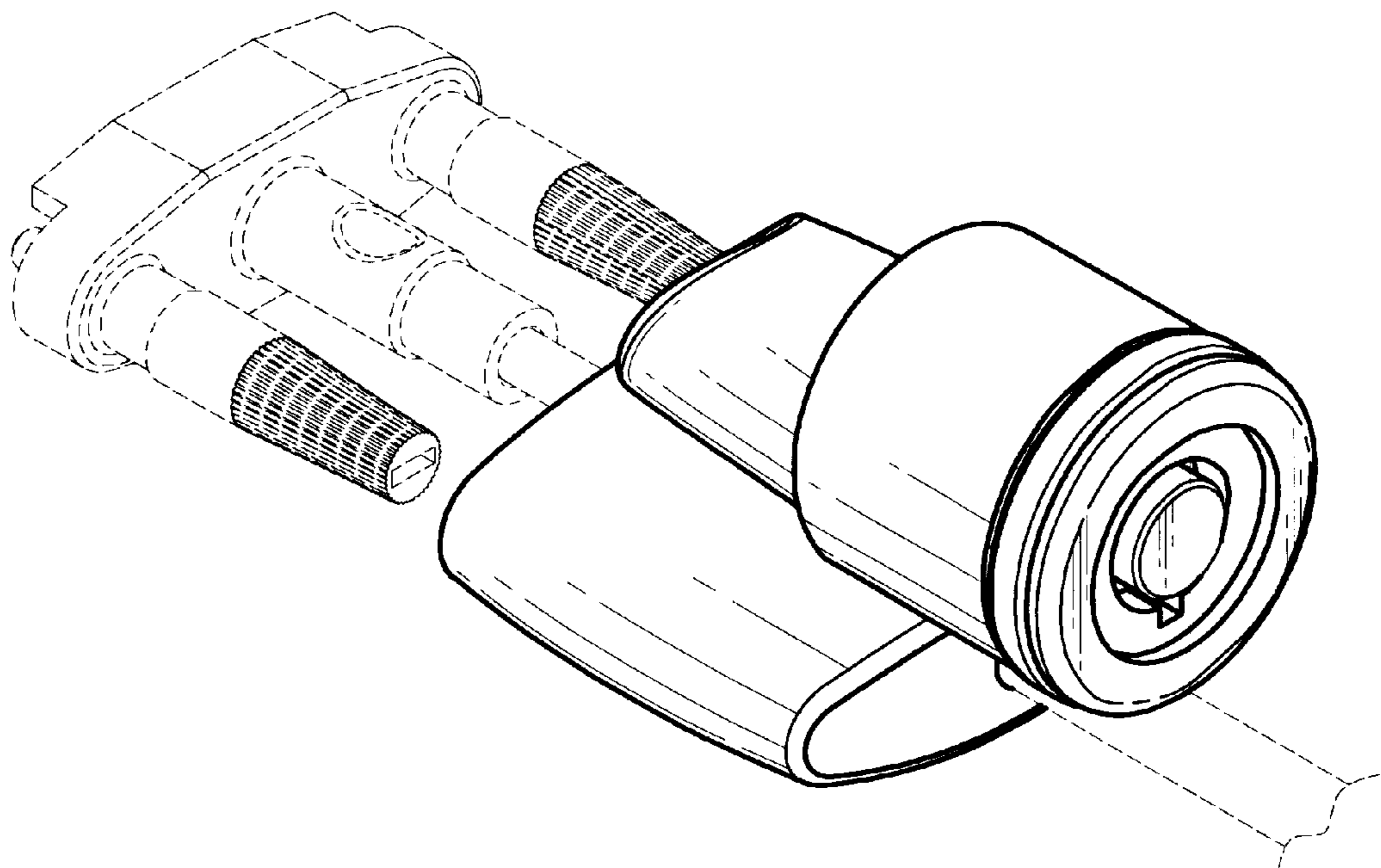


Fig. 8