



US00D482949S

(12) **United States Design Patent**
Molenaar

(10) **Patent No.:** **US D482,949 S**

(45) **Date of Patent:** **** Dec. 2, 2003**

(54) **TOOL HANDLE**

(76) **Inventor:** **Steven L. Molenaar**, 601 W. Hwy. 40,
Willmar, MN (US) 56201

(**) **Term:** **14 Years**

(21) **Appl. No.:** **29/166,375**

(22) **Filed:** **Aug. 27, 2002**

(51) **LOC (7) Cl.** **08-04**

(52) **U.S. Cl.** **D8/107; D8/83**

(58) **Field of Search** D8/82-87, 107,
D8/45, 47, 303; 81/177.1, 436-440, 489;
16/110.1, 421, 422, 430

(56) **References Cited**

U.S. PATENT DOCUMENTS

1,619,255	A	*	3/1927	Haynes	81/177.1
2,242,873	A	*	5/1941	Thompson	81/439
D142,267	S	*	8/1945	Walraven	D8/82
D153,193	S		3/1949	Wandner		
4,541,314	A	*	9/1985	Korkowski	81/436

4,827,811 A * 5/1989 Vickers 81/436

D360,344 S * 7/1995 Eggert et al. D8/83

5,579,668 A 12/1996 Kozak

5,954,463 A 9/1999 Jore

D450,557 S * 11/2001 McCalla et al. D8/107

* cited by examiner

Primary Examiner—Clare E. Heflin

(57) **CLAIM**

The ornamental design of a tool handle, as shown and described.

DESCRIPTION

FIG. 1 is a perspective view of the tool handle of my new design;

FIG. 2 is a front elevational view thereof;

FIG. 3 is a side elevational view thereof, the opposite side being a mirror image thereof;

FIG. 4 is a top plan view thereof, the bottom plan view being a mirror image thereof; and,

FIG. 5 is a rear elevational view thereof.

1 Claim, 1 Drawing Sheet

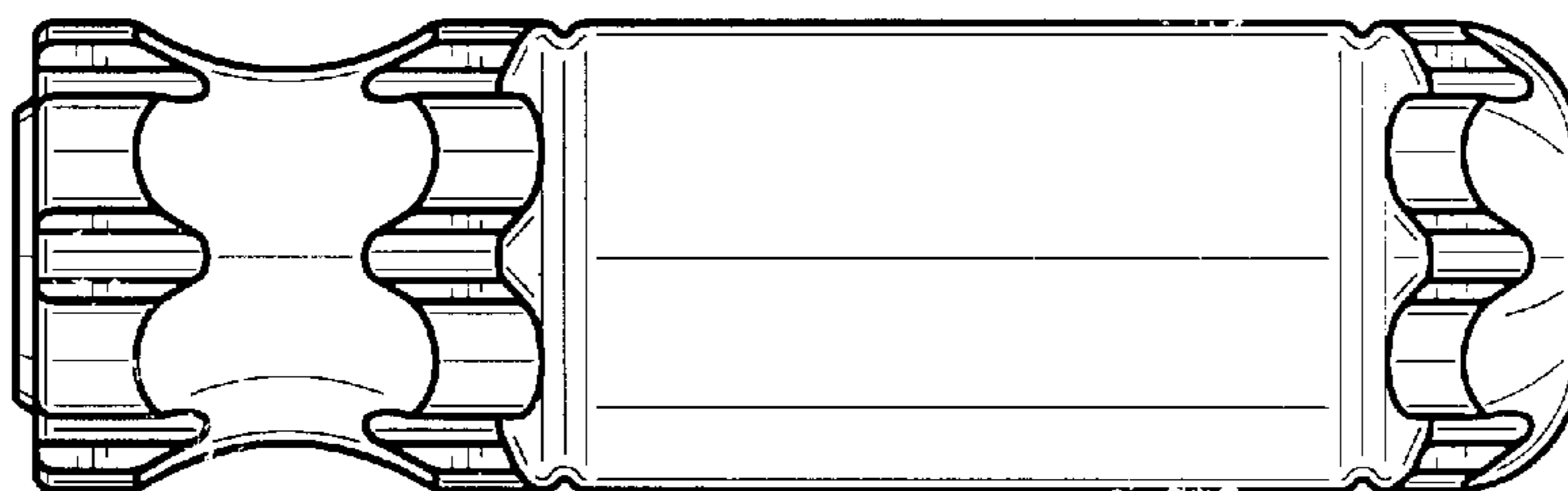
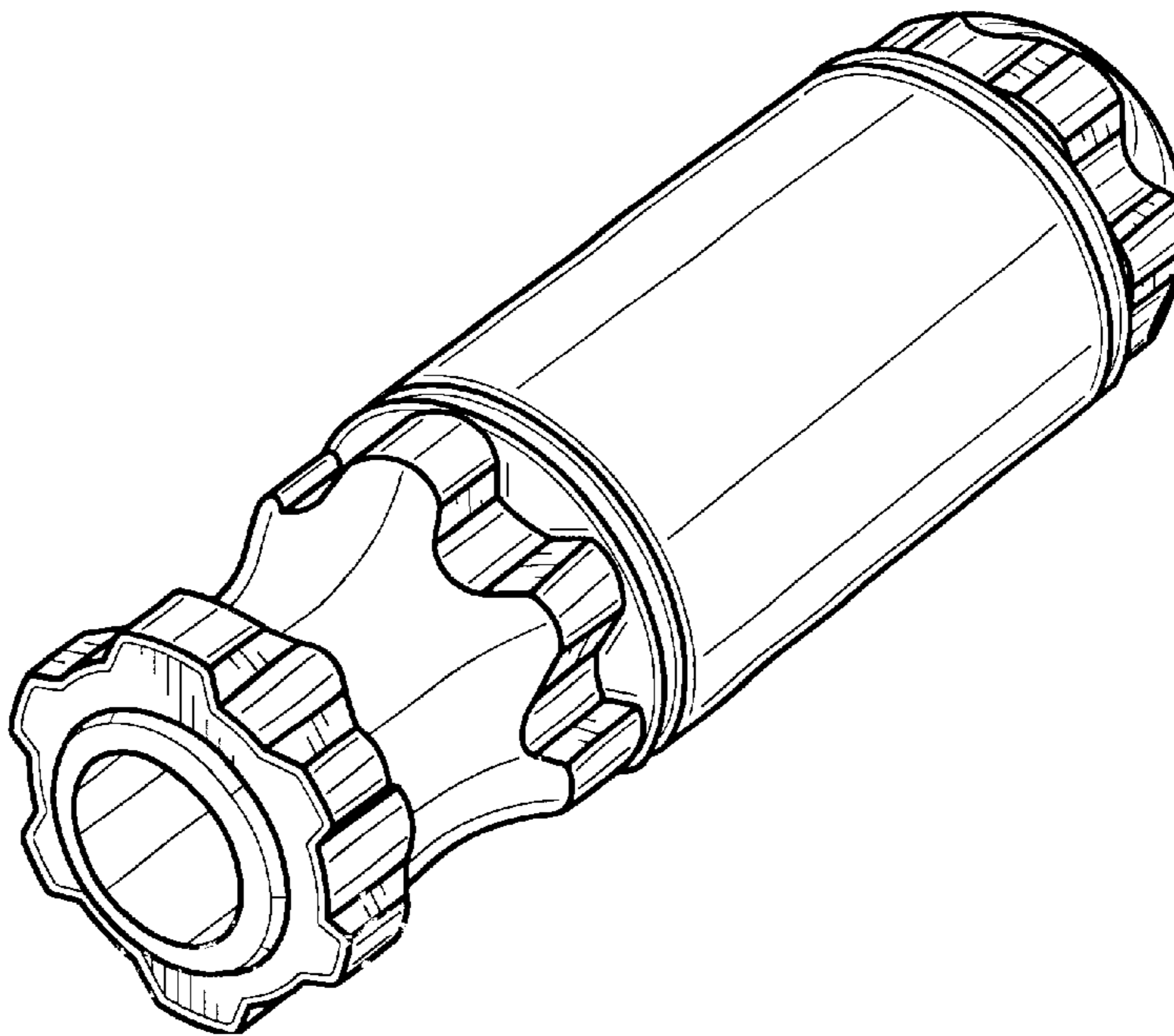


FIG.1

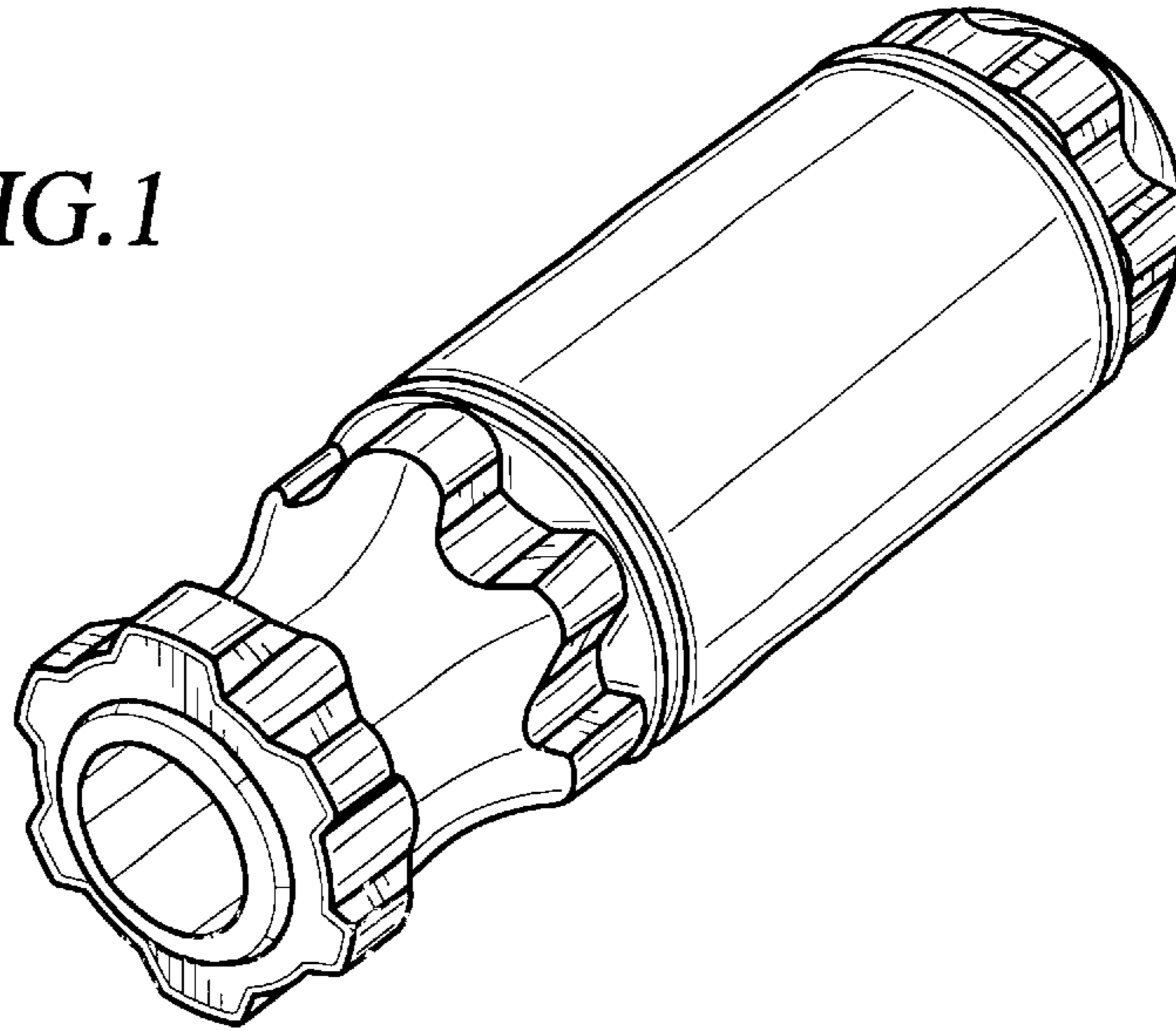


FIG.2

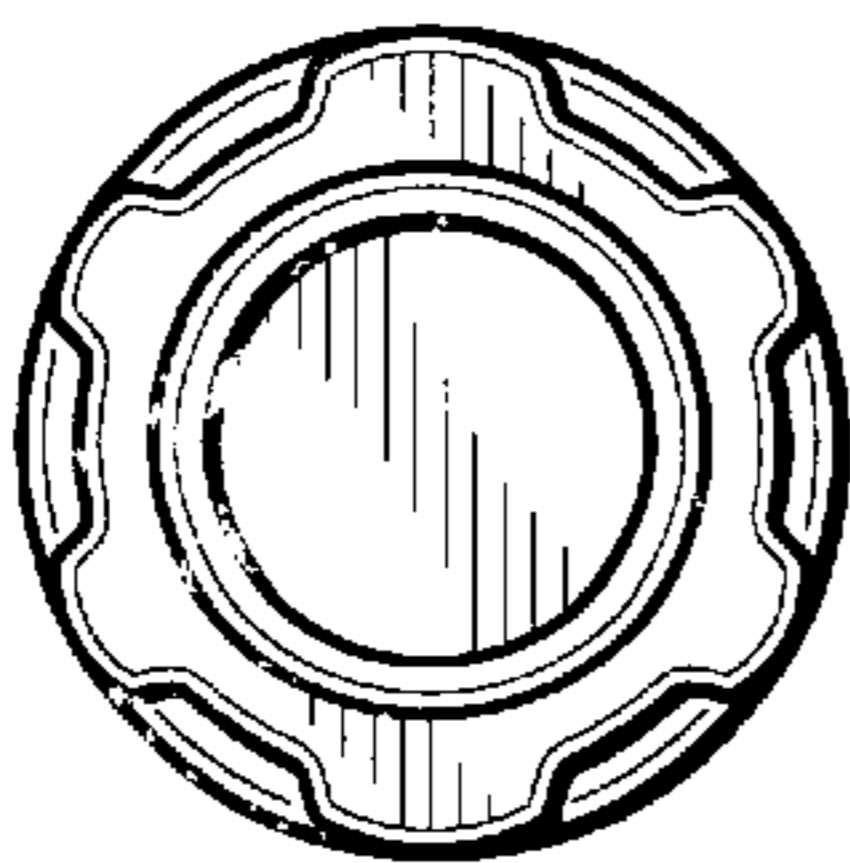


FIG.3

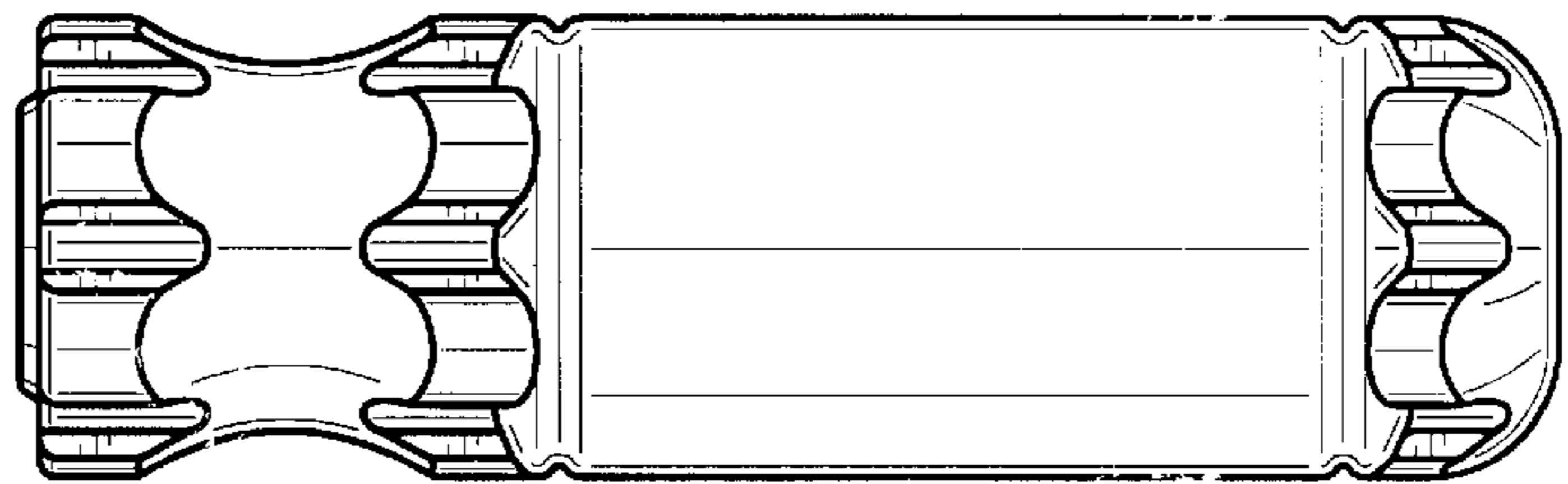


FIG.4

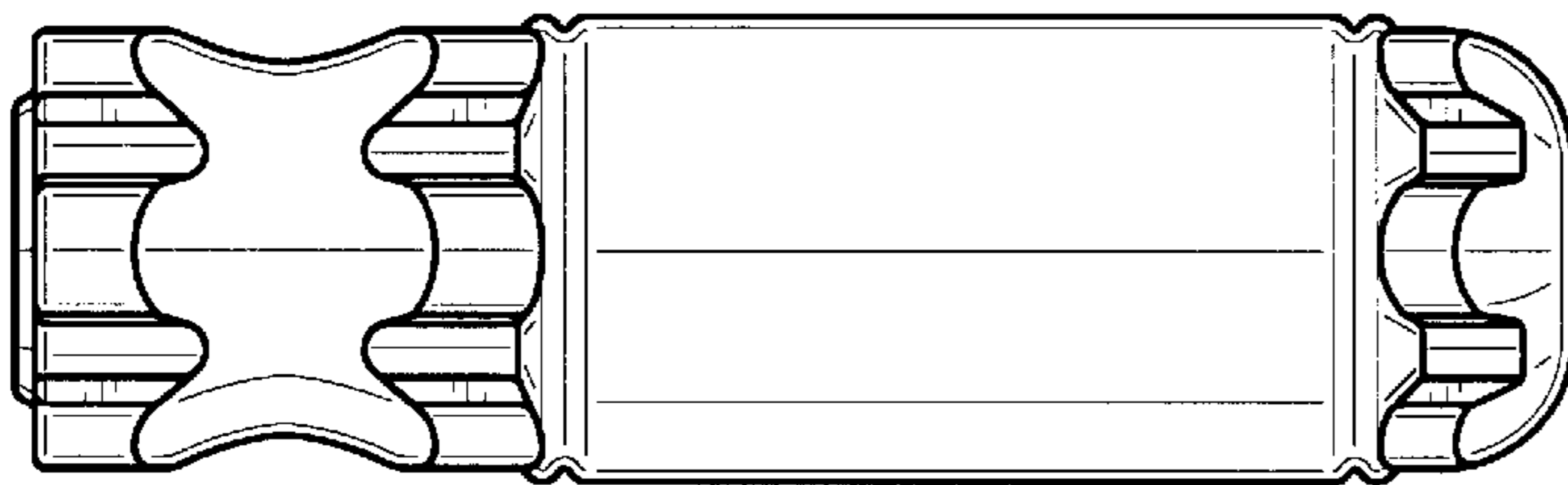


FIG.5

