



US00D482947S

(12) **United States Design Patent**
Lin

(10) **Patent No.:** **US D482,947 S**

(45) **Date of Patent:** **** Dec. 2, 2003**

(54) **POWER DRIVING TOOL**

(76) Inventor: **Ho Pin Lin**, P.O. Box 63-99, Taichung (TW), 406

(**) Term: **14 Years**

(21) Appl. No.: **29/174,087**

(22) Filed: **Jan. 9, 2003**

(51) **LOC (7) Cl.** **08-05**

(52) **U.S. Cl.** **D8/68**

(58) **Field of Search** D8/61, 62, 63, D8/64, 65, 66, 67, 68, 69, 70; 81/57.11, 429, 464, 465, 466, 469, 489; 173/13, 169, 178, 213, 217; 227/8, 114, 120, 130, 136, 142; 310/50; 408/20, 124, 125, 234, 241 R; 451/358

(56) **References Cited**

U.S. PATENT DOCUMENTS

3,352,368	A	*	11/1967	Maffey, Jr.	D8/68
3,924,961	A	*	12/1975	Hess et al.	173/169
D261,222	S	*	10/1981	Bunyea	D8/68
D339,726	S	*	9/1993	Bruno et al.	D8/68
D393,580	S	*	4/1998	Bantly et al.	D8/68
D403,564	S	*	1/1999	Izumisawa	D8/68
5,918,686	A	*	7/1999	Izumisawa	173/169
6,062,323	A	*	5/2000	Pusateri et al.	173/169
D434,297	S	*	11/2000	Iritani et al.	D8/68

D434,958	S	*	12/2000	Izumisawa	D8/68
D436,818	S	*	1/2001	Izumisawa	D8/68
D441,628	S	*	5/2001	Bass et al.	D8/68
D469,673	S	*	2/2003	Sliker et al.	D8/68

OTHER PUBLICATIONS

Wrenches, Sioux Professional Power Tools catalogue #871, p. 67.*

Air impact wrenches, Zone King Industrial Co. brochure.*

* cited by examiner

Primary Examiner—Doris V. Coles

Assistant Examiner—T. Chase Nelson

(57) **CLAIM**

The ornamental design for a power driving tool, as shown and described.

DESCRIPTION

FIG. 1 is a perspective view of a power driving tool showing my new design;

FIG. 2 is a front elevational view thereof;

FIG. 3 is a rear elevational view thereof;

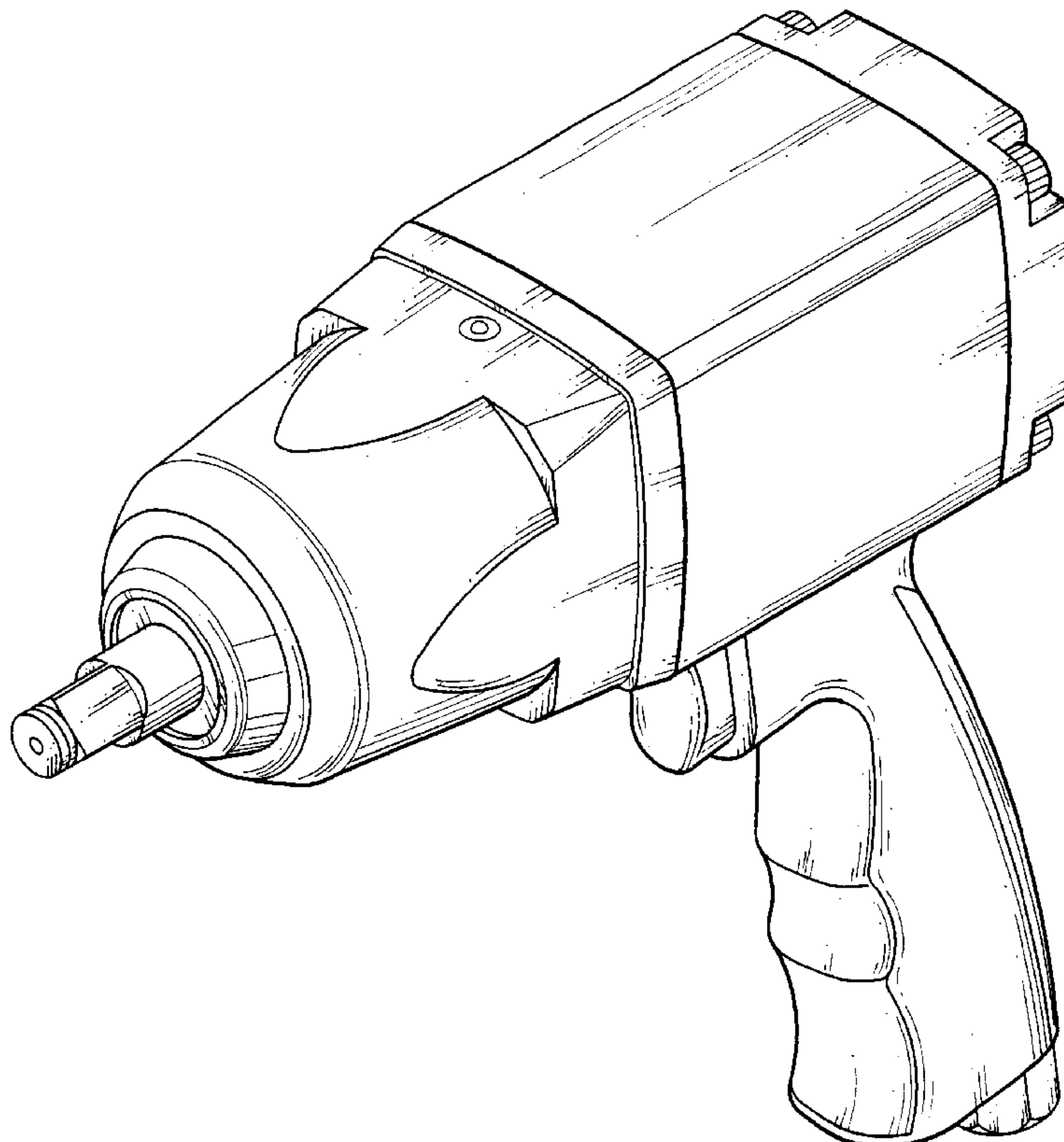
FIG. 4 is a top plan view thereof;

FIG. 5 is a bottom plan view thereof;

FIG. 6 is a left side elevational view thereof; and,

FIG. 7 is a right side elevational view thereof.

1 Claim, 6 Drawing Sheets



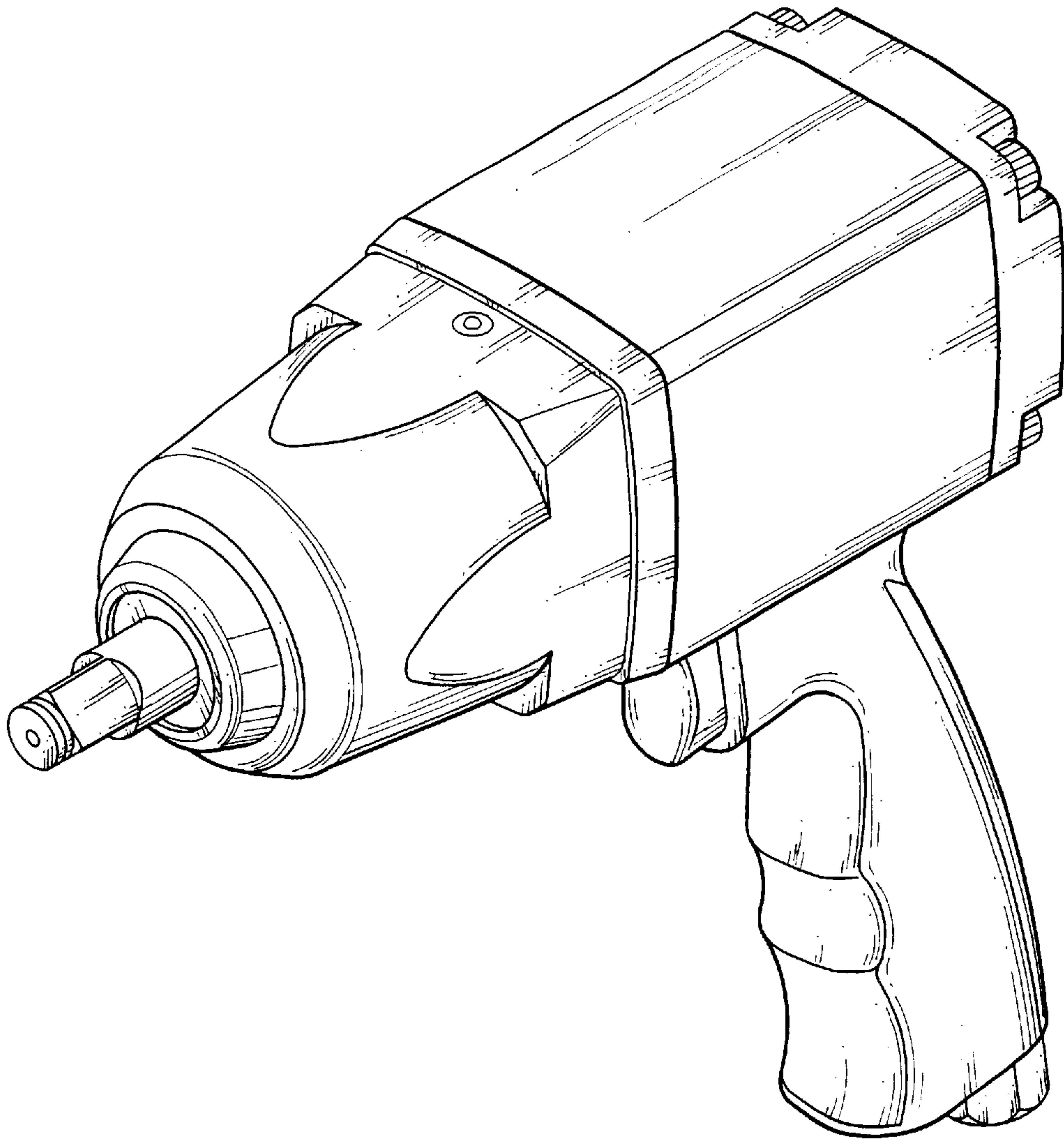


FIG. 1

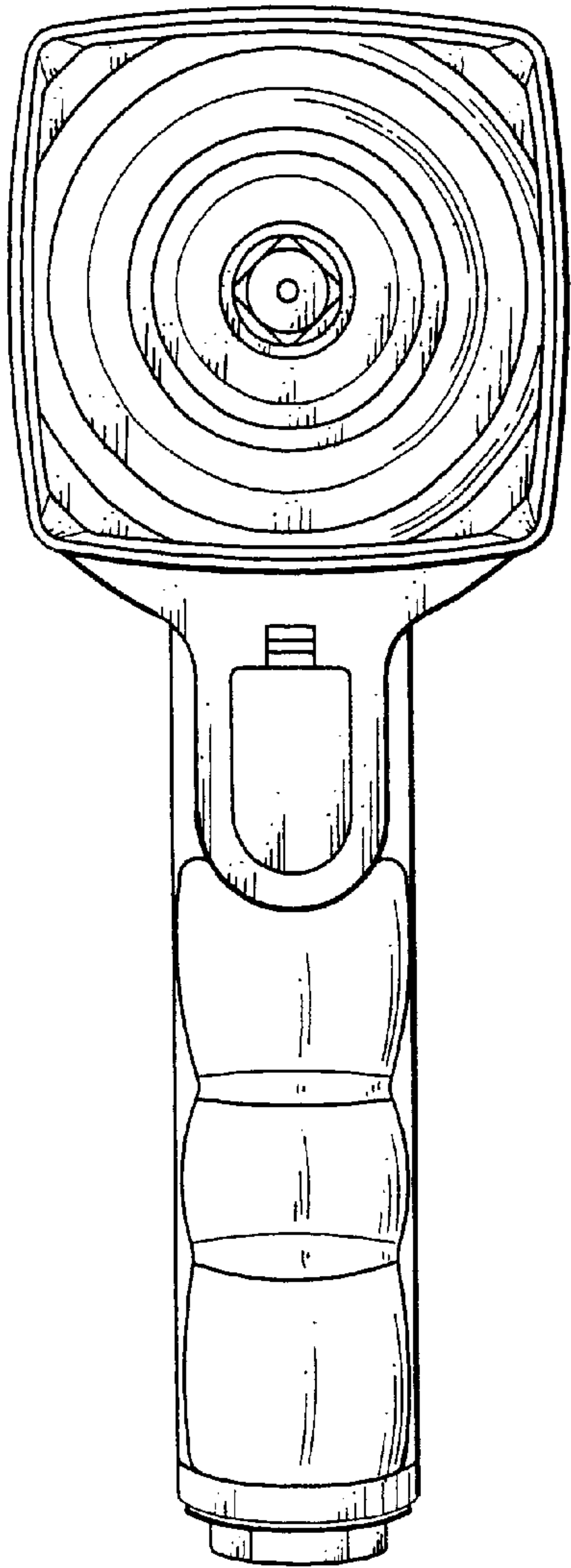


FIG. 2

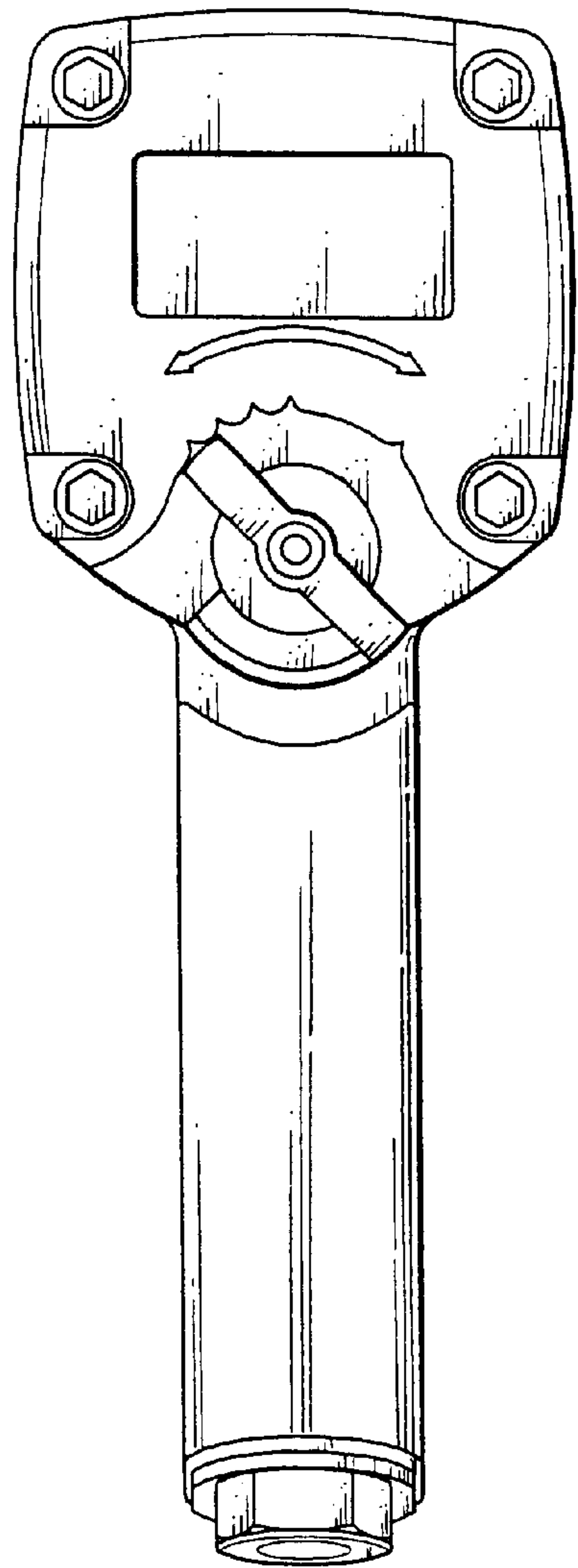


FIG. 3

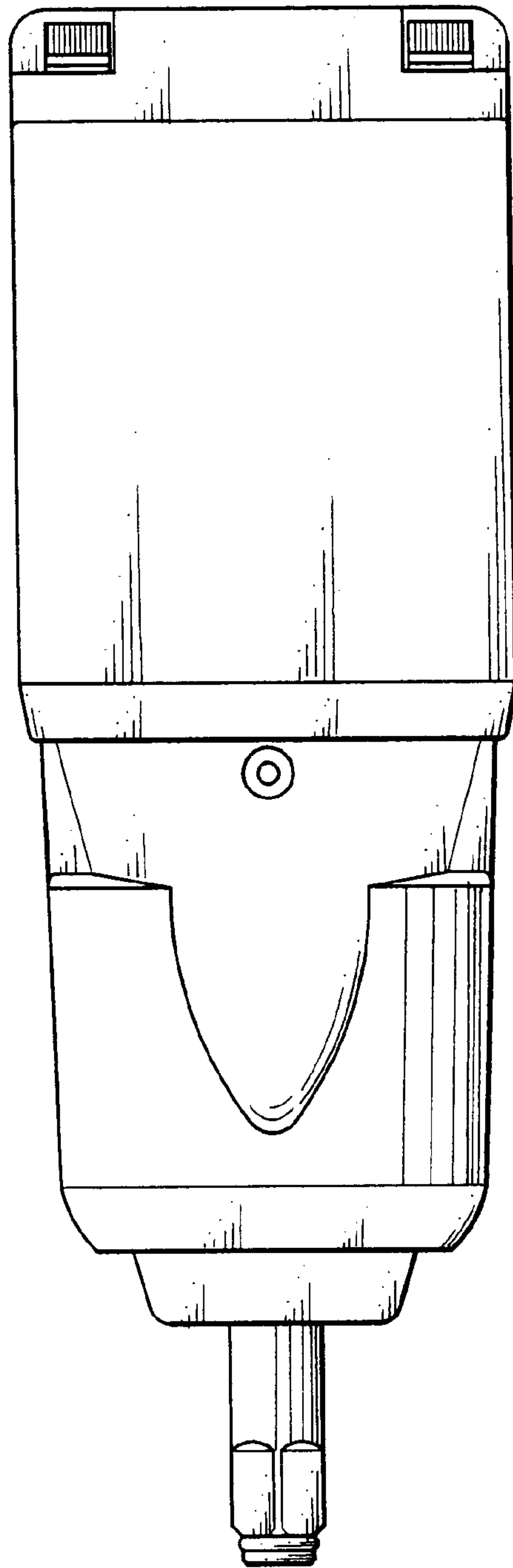


FIG. 4

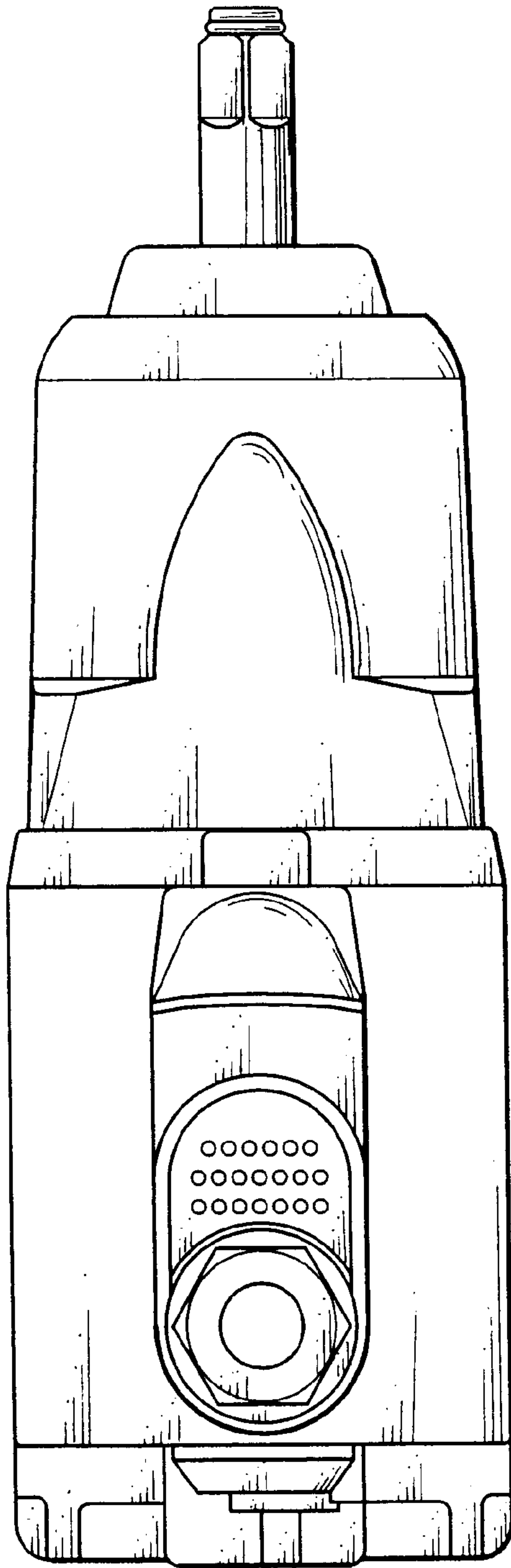


FIG. 5

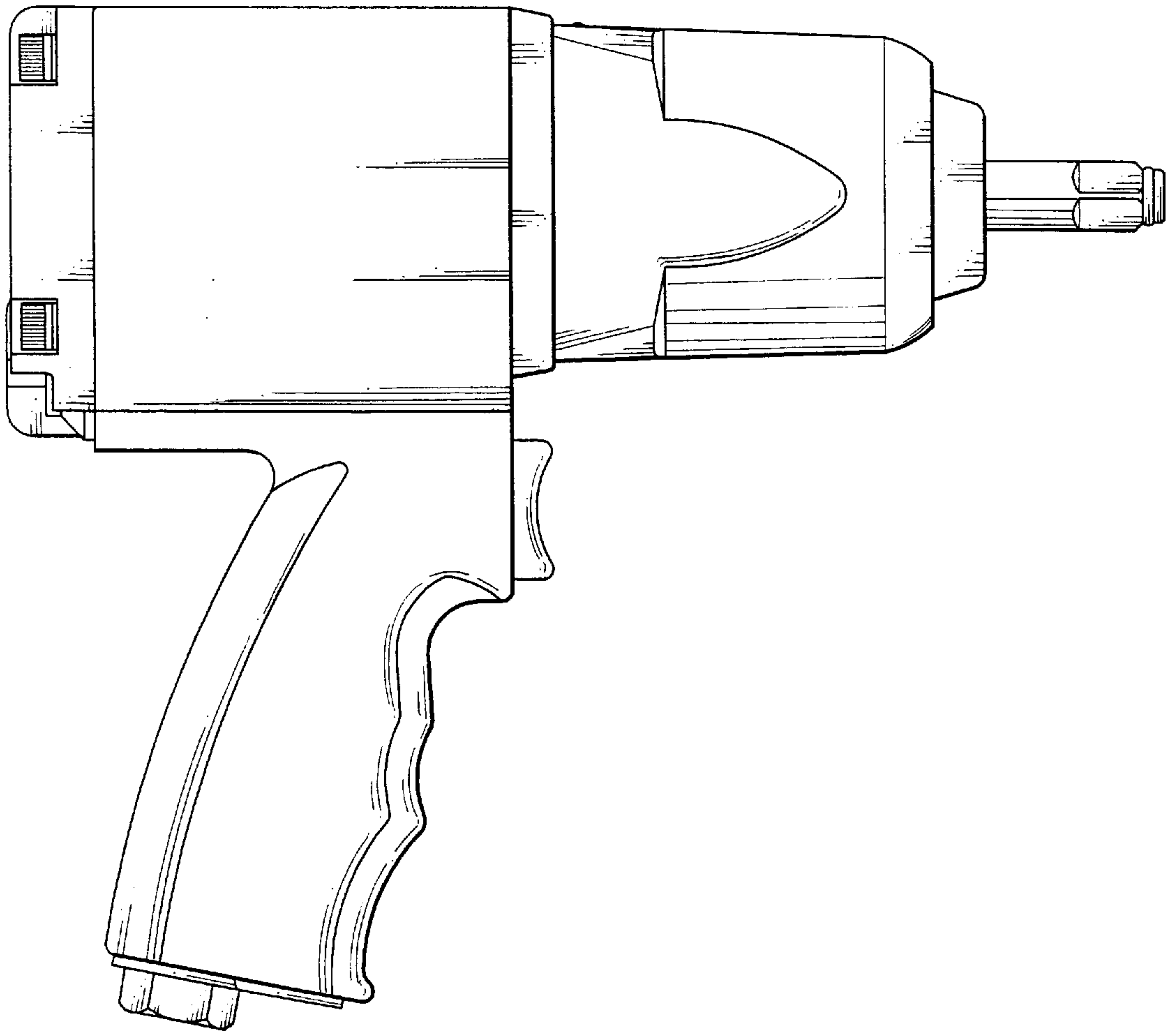


FIG. 6

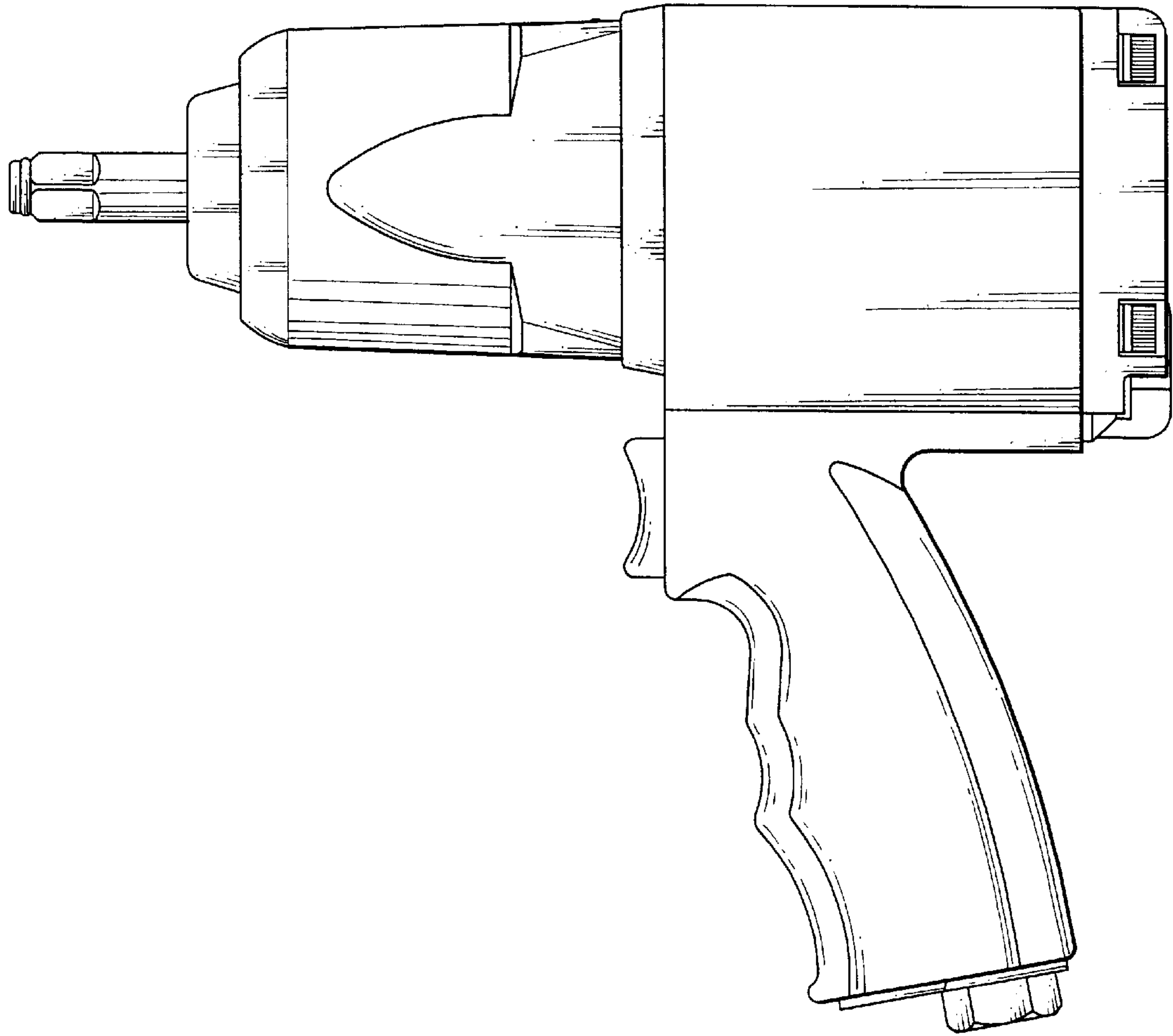


FIG. 7