



US00D482946S

(12) **United States Design Patent**  
**DeBusk**

(10) **Patent No.:** **US D482,946 S**

(45) **Date of Patent:** **\*\* Dec. 2, 2003**

(54) **PORTABLE SAW**

(76) **Inventor:** **Shelby Wayne DeBusk**, 17121 NE. Hy  
301, Waldo, FL (US) 32694

(\*\*) **Term:** **14 Years**

(21) **Appl. No.:** **29/160,003**

(22) **Filed:** **May 3, 2002**

(51) **LOC (7) Cl.** ..... **08-03**

(52) **U.S. Cl.** ..... **D8/66**

(58) **Field of Search** ..... D8/64, 66, 67,  
D8/69, 70; 30/375, 376, 377, 388, 389,  
390, 391; 83/666, 863; 144/218

(56) **References Cited**

**U.S. PATENT DOCUMENTS**

- 908,921 A \* 1/1909 Whitcomb
- D238,548 S \* 1/1976 Seakan ..... D8/333
- 4,049,303 A \* 9/1977 Irwin et al. .... 292/307
- 4,405,003 A \* 9/1983 Watson et al.
- 4,876,797 A \* 10/1989 Zapata
- 5,007,173 A \* 4/1991 Rush

5,173,999 A \* 12/1992 Welk et al. .... 24/599.7

D413,786 S \* 9/1999 Graham ..... D8/356

6,042,069 A \* 3/2000 Christianson ..... 248/925

D430,787 S \* 9/2000 Liu

6,260,274 B1 \* 7/2001 Kane et al.

\* cited by examiner

*Primary Examiner*—Doris V. Coles

*Assistant Examiner*—Elizabeth A. Albert

(74) *Attorney, Agent, or Firm*—Richard L. Mikesell

(57) **CLAIM**

The ornamental design for a portable saw, as shown and described.

**DESCRIPTION**

FIG. 1 is a front side top perspective view of the portable saw showing my new design;

FIG. 2 is a rear elevational view of FIG. 1;

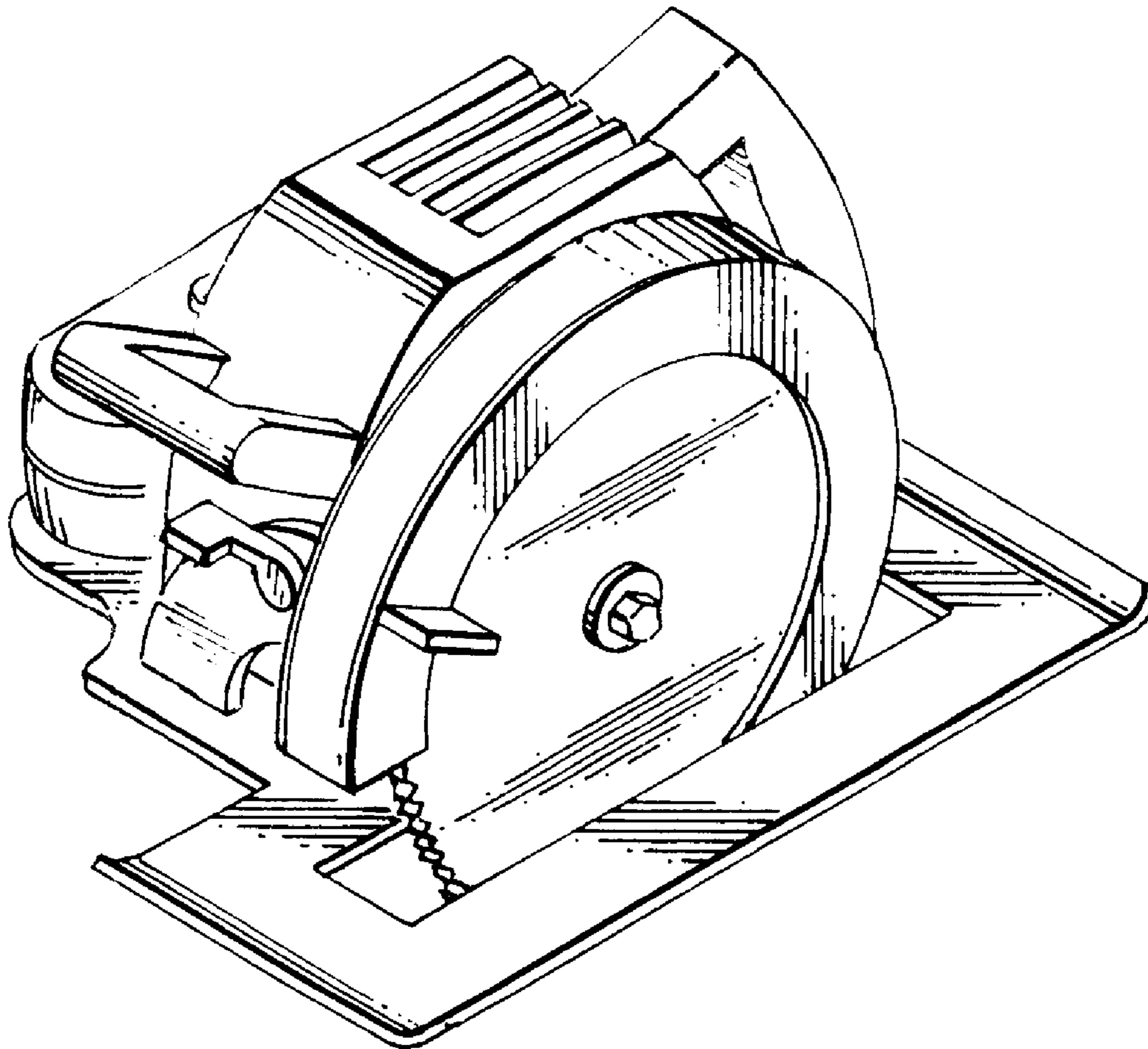
FIG. 3 is a top plan view of FIG. 1;

FIG. 4 is a front elevational view of FIG. 1;

FIG. 5 is a side elevational view of FIG. 1; and,

FIG. 6 is an opposite side elevational view of FIG. 1.

**1 Claim, 2 Drawing Sheets**



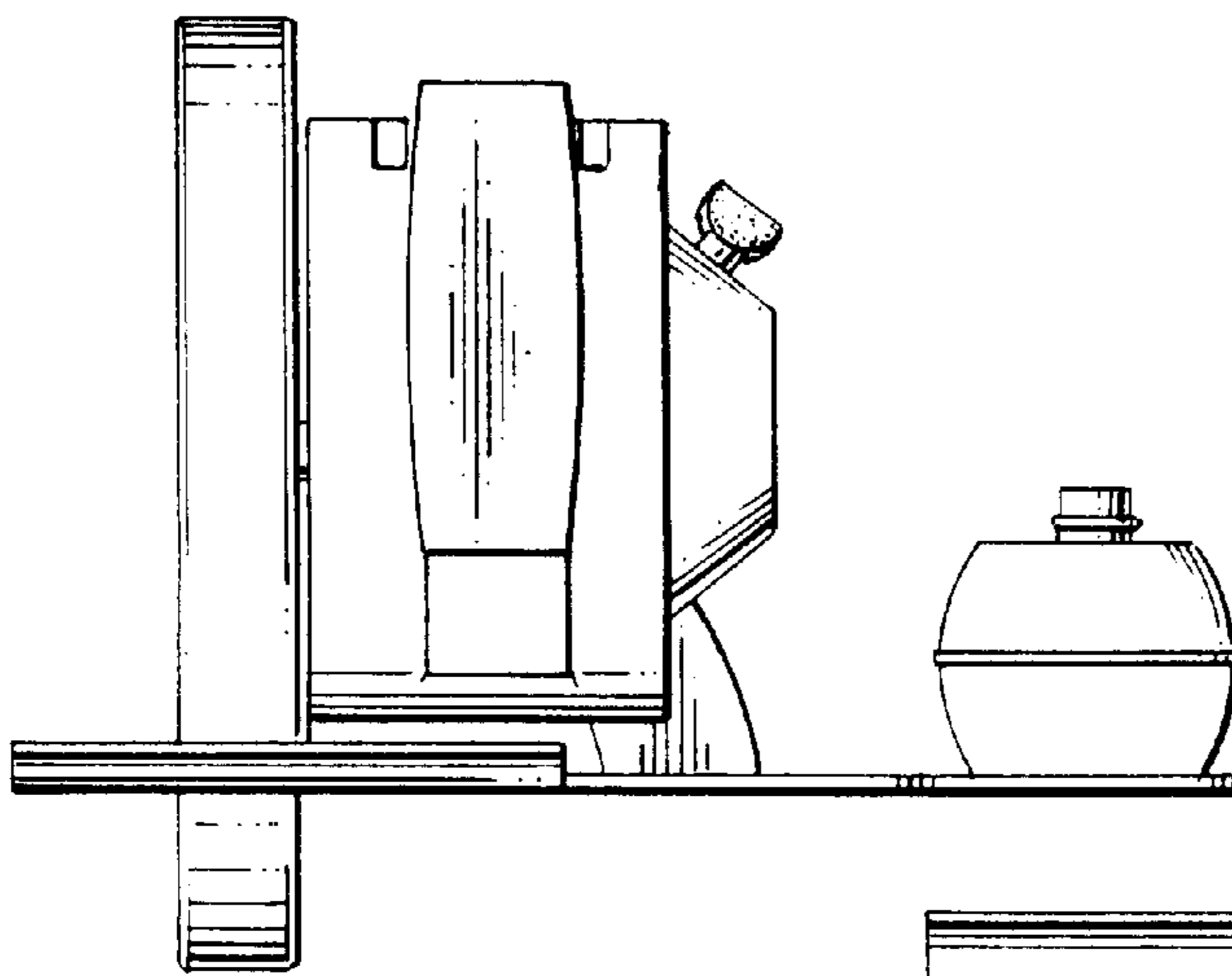


FIG. 2

FIG. 3

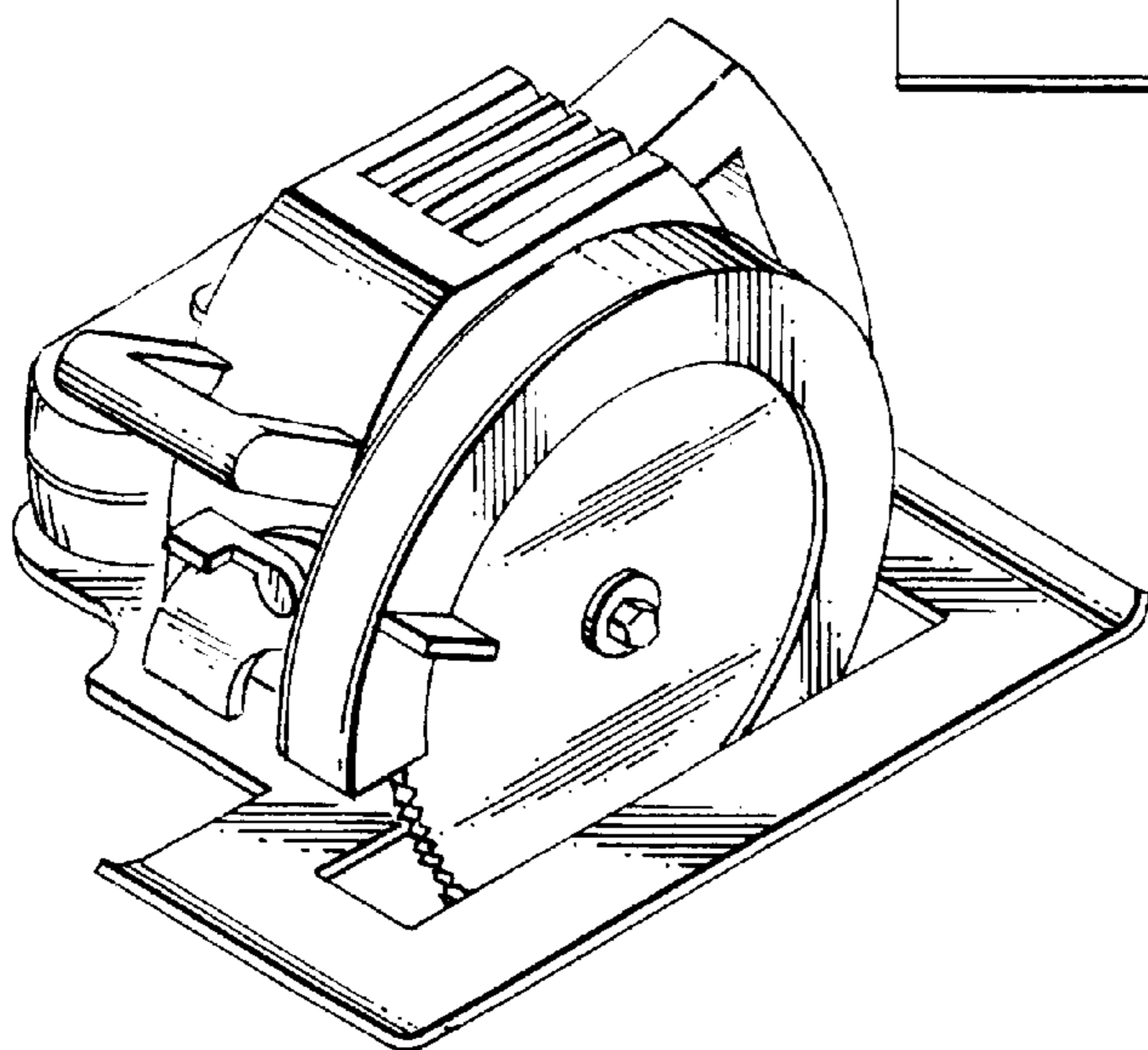
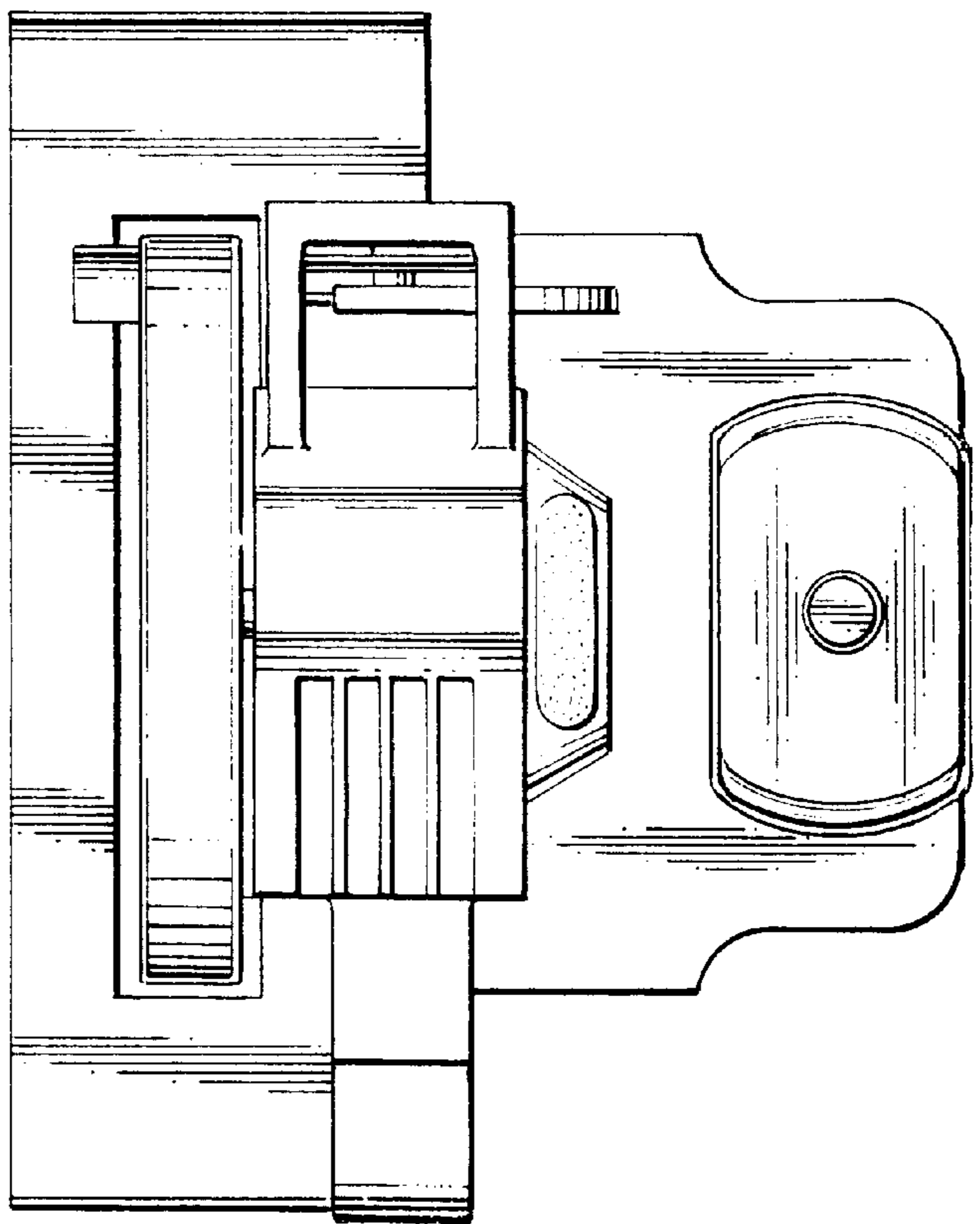


FIG. 1

FIG. 4

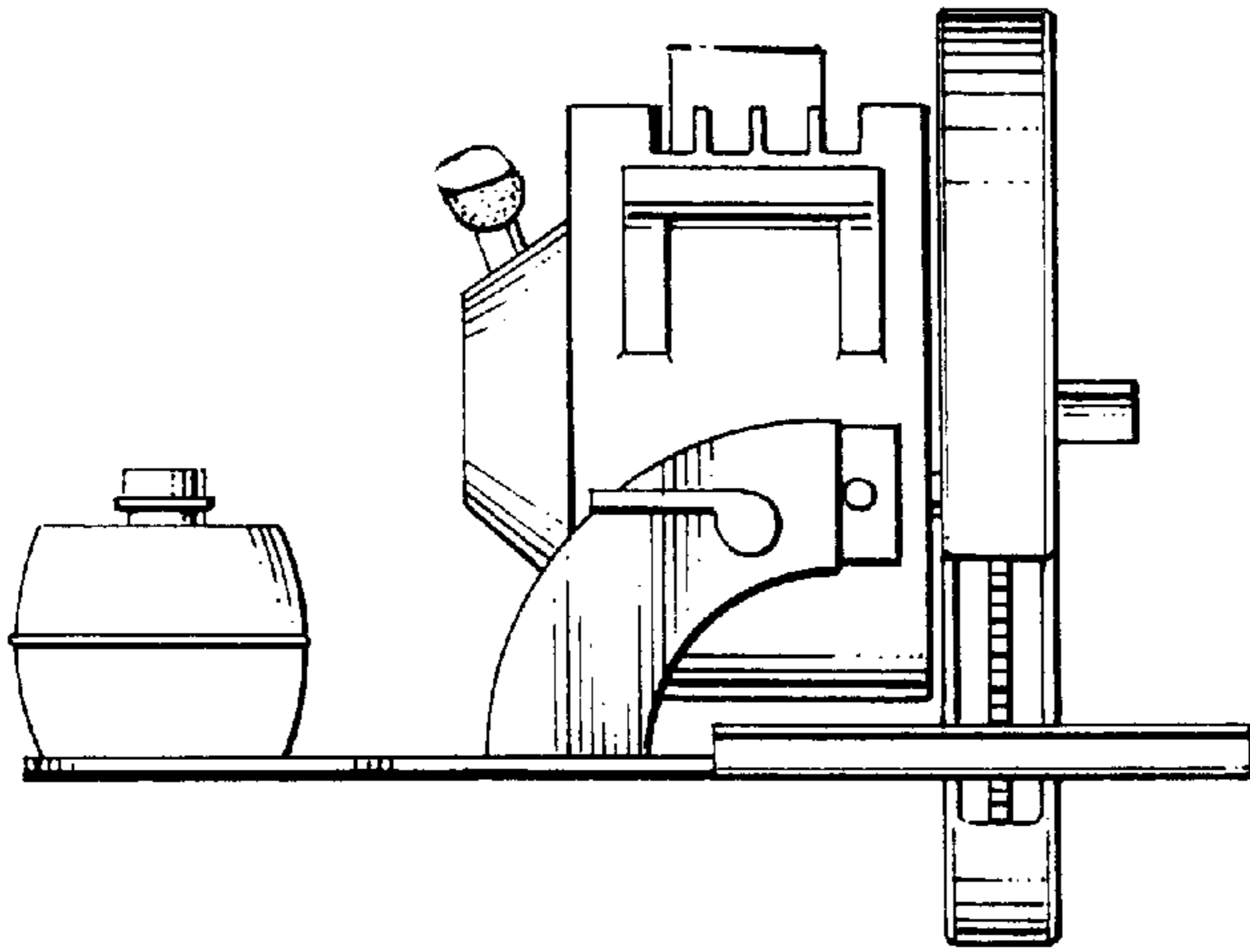


FIG. 5

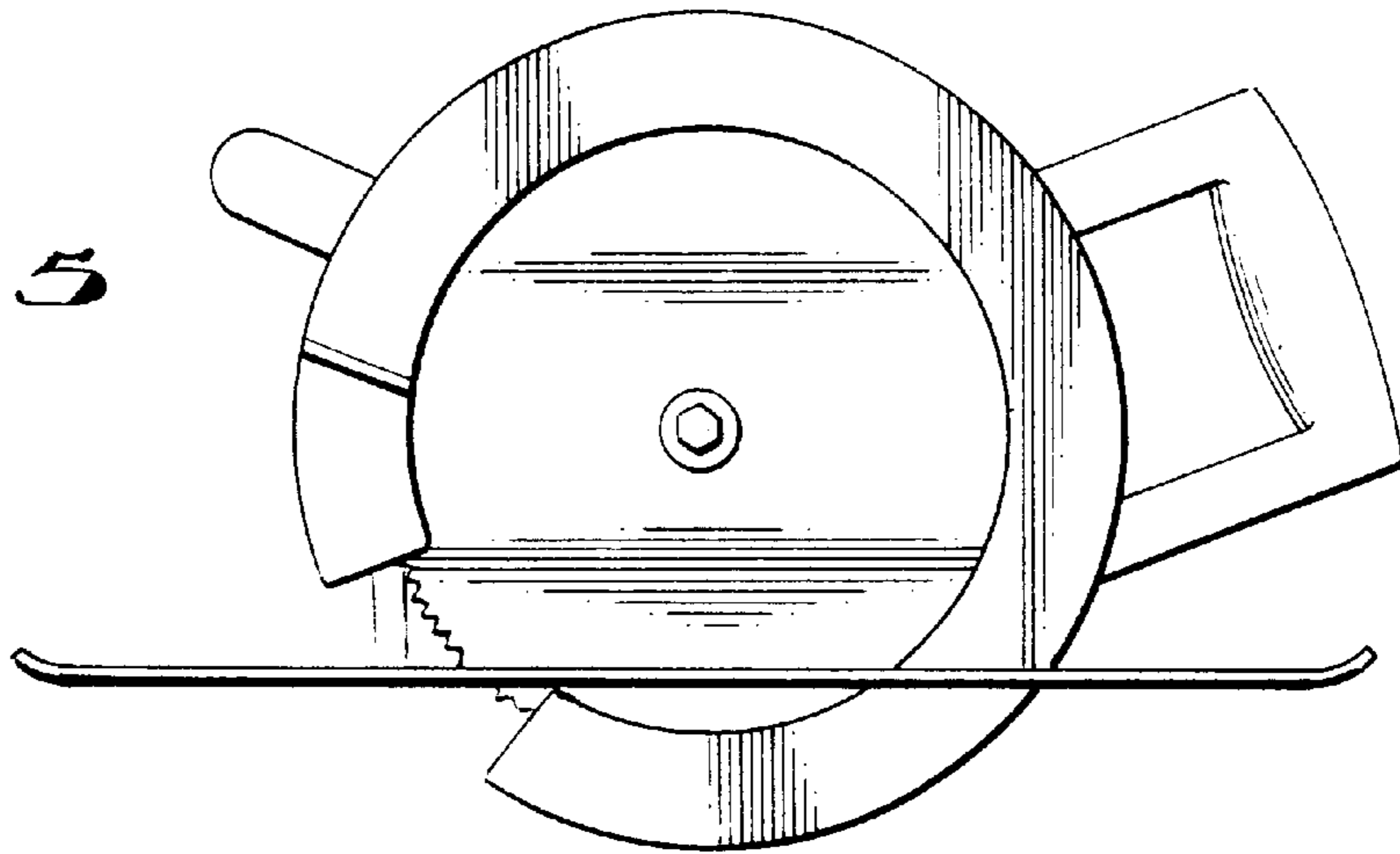


FIG. 6

