



US00D482944S

(12) **United States Design Patent**
Chunn et al.

(10) **Patent No.:** **US D482,944 S**

(45) **Date of Patent:** **** Dec. 2, 2003**

(54) **VEGETATION PRUNER**

(75) Inventors: **Daniel Alex Chunn**, Hong Kong (CN);
Charles M. Wacker, Belton, SC (US);
Thomas Kam Kee Wong, Hong Kong (CN)

(73) Assignee: **Homelite Technologies, Ltd.**, Hamilton (BM)

(**) Term: **14 Years**

(21) Appl. No.: **29/177,224**

(22) Filed: **Feb. 3, 2003**

(51) **LOC (7) Cl.** **08-01**

(52) **U.S. Cl.** **D8/9**

(58) **Field of Search** D8/1, 8, 9; 30/216,
30/276, 228; 56/12.7; 172/13, 14, 17, 15

(56) **References Cited**

U.S. PATENT DOCUMENTS

4,932,126 A	*	6/1990	Pilatowicz et al.	30/216
RE34,358 E	*	8/1993	Miller	30/276
D349,021 S	*	7/1994	Gutknecht	D8/1
D401,128 S		11/1998	Zurwelle	D8/64
D410,183 S		5/1999	Thomson	D8/69
D426,124 S		6/2000	Kassalen et al.	D8/64
D427,862 S	*	7/2000	Yamane et al.	D8/8

D428,786 S	8/2000	Hayakawa et al.	D8/64
D434,627 S	12/2000	Buck	D8/64
6,189,217 B1	2/2001	Melvin et al.	30/125
D440,849 S	4/2001	Sakai et al.	D8/64
D446,703 S	8/2001	Netzler	D8/64
D456,233 S	4/2002	Main	D8/64
D463,963 S	10/2002	Metaxatos et al.	D8/64
D464,548 S	10/2002	Morgan	D8/64

* cited by examiner

Primary Examiner—Robin V. Taylor

(74) *Attorney, Agent, or Firm*—Harrington & Smith, LLP

(57) **CLAIM**

We claim the ornamental design for a vegetation pruner, as shown and described.

DESCRIPTION

FIG. 1 is a right side elevational view incorporating our new design;

FIG. 2 is a topside plan view thereof;

FIG. 3 is a rear elevational view thereof;

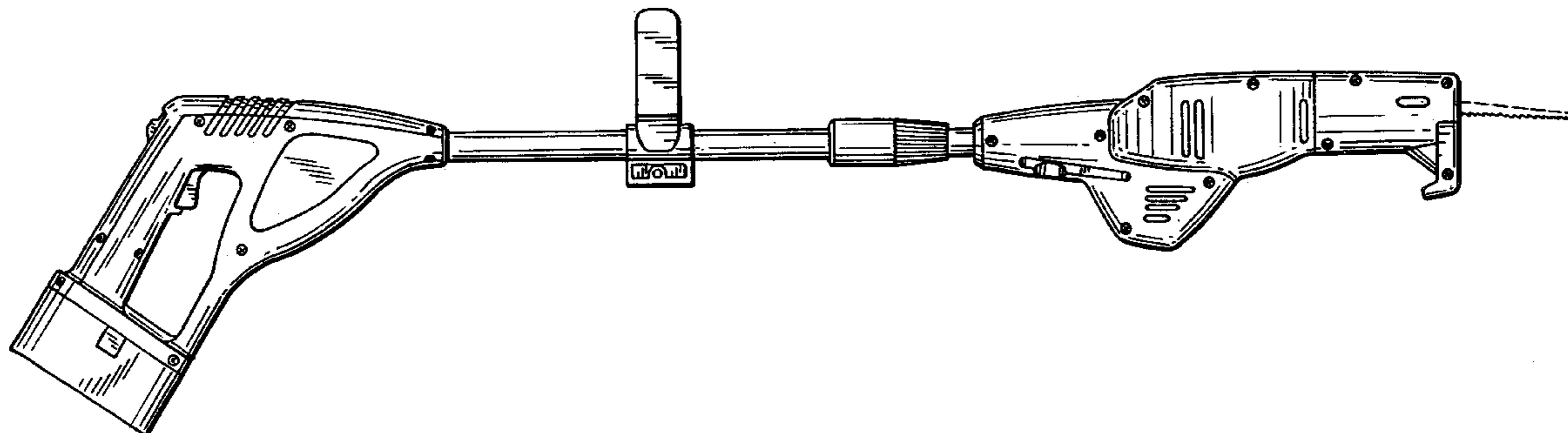
FIG. 4 is a front elevational view thereof;

FIG. 5 is a left side elevational view thereof; and,

FIG. 6 is a bottom plan view thereof.

The broken lines showing of the cutting blade is for illustration purposes only and forms no part of the claimed design.

1 Claim, 4 Drawing Sheets



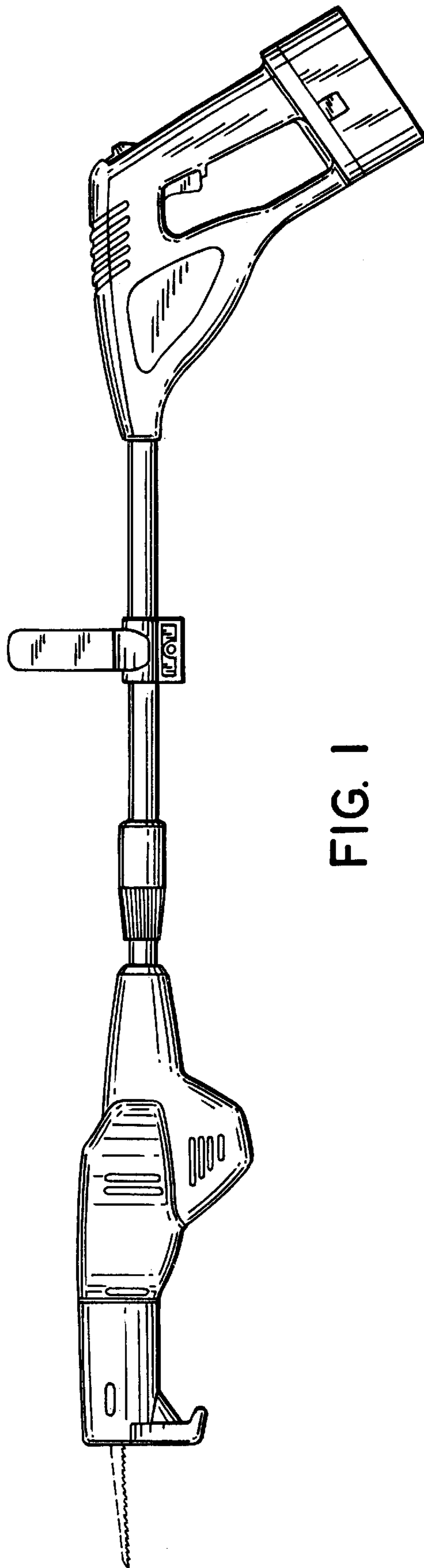


FIG. 1

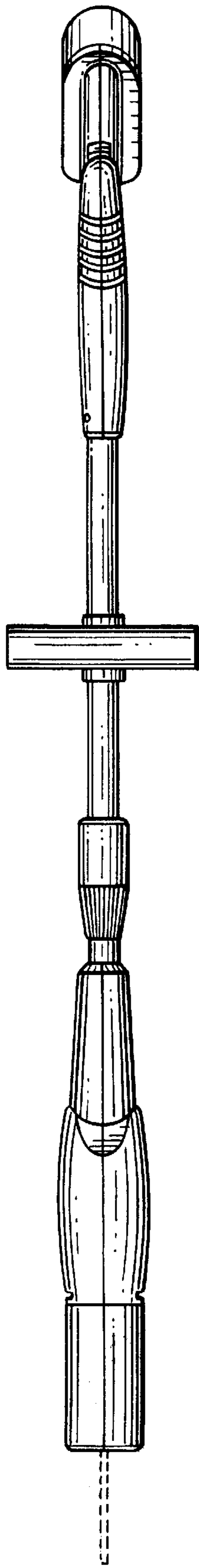


FIG. 2

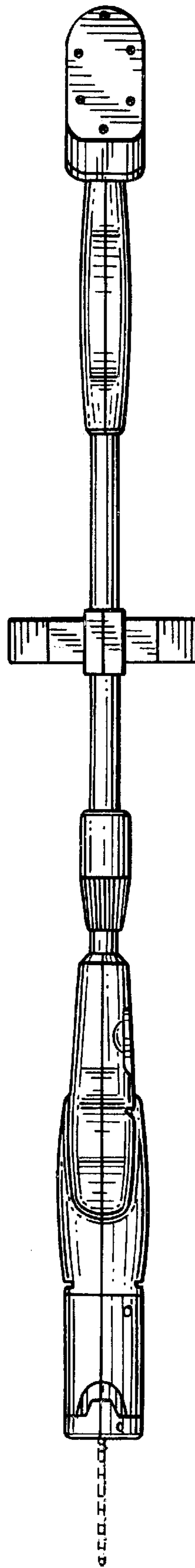


FIG. 6

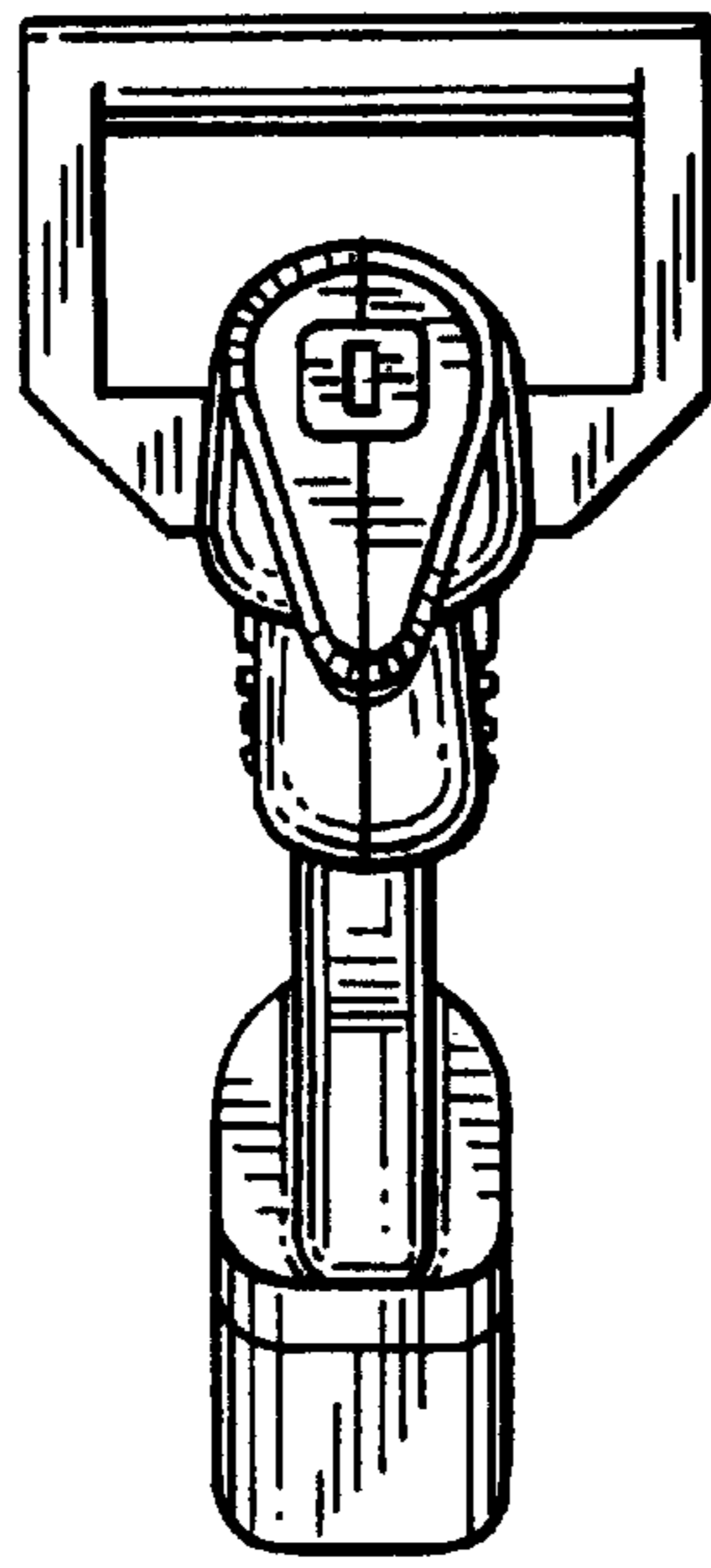


FIG. 3

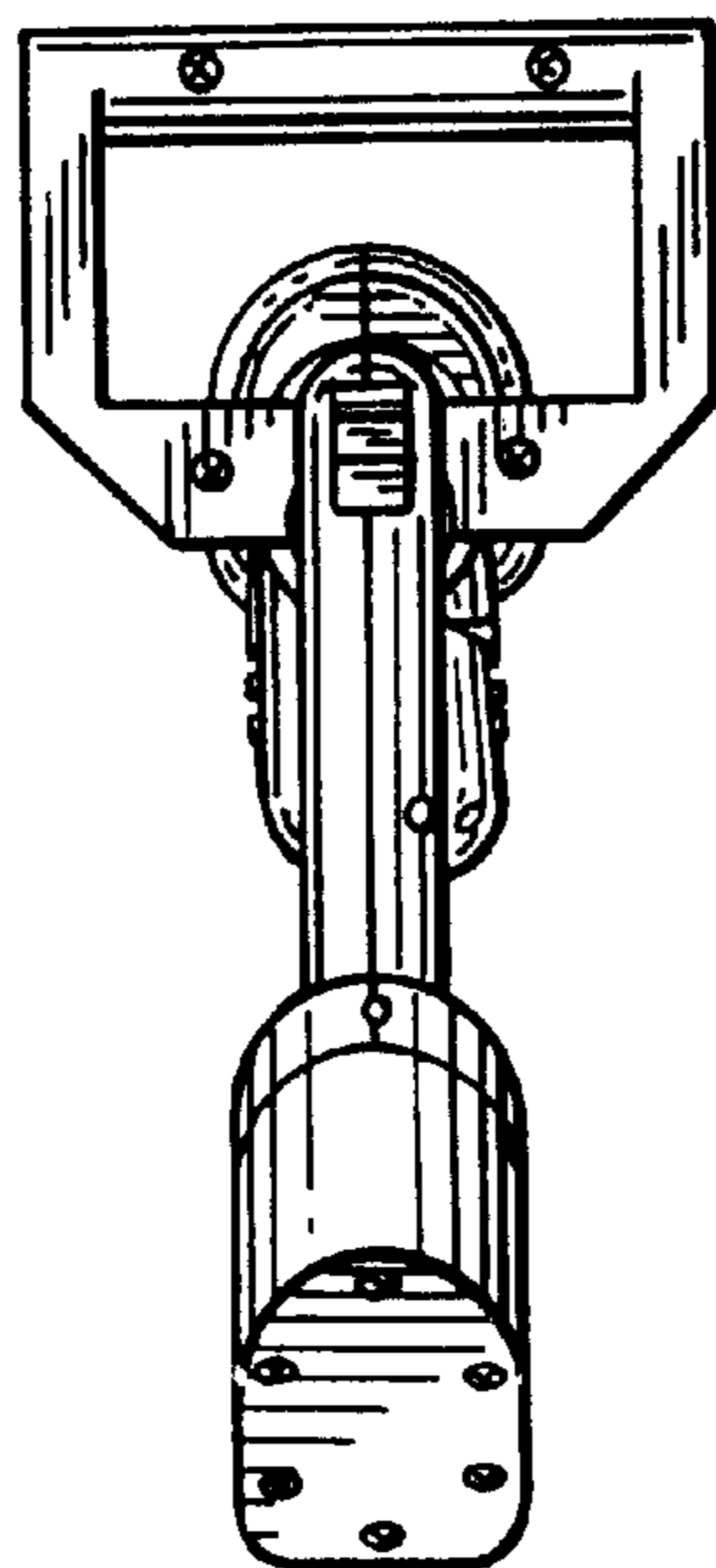


FIG. 4

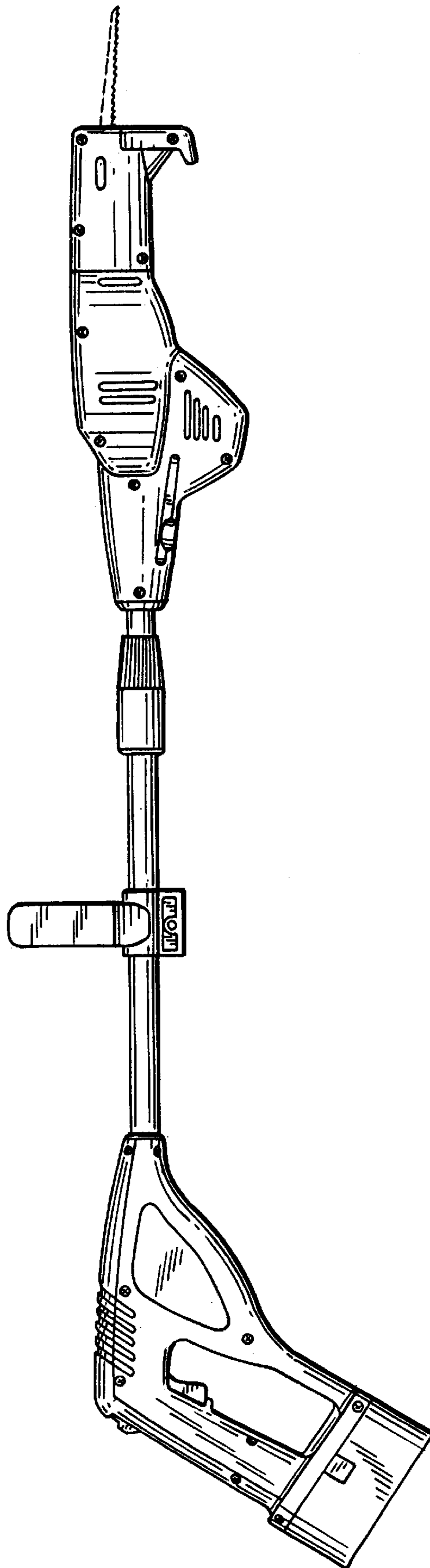


FIG. 5