



US00D482943S

(12) **United States Design Patent**
Chunn et al.

(10) **Patent No.:** **US D482,943 S**

(45) **Date of Patent:** **** Dec. 2, 2003**

(54) **HEDGE TRIMMER**

(75) Inventors: **Daniel Alex Chunn**, Hong Kong (CN);
Tsang Lap Hon, Hong Kong (CN);
Tailun Kam Lun Sham, Hong Kong (CN)

(73) Assignee: **Homelite Technologies, Ltd.**, Hamilton (BM)

(**) Term: **14 Years**

(21) Appl. No.: **29/176,142**

(22) Filed: **Feb. 18, 2003**

(51) **LOC (7) Cl.** **08-01**

(52) **U.S. Cl.** **D8/8**

(58) **Field of Search** D8/1, 8, 9; 30/216,
30/228, 276; 172/13, 14; 56/12.7

(56) **References Cited**

U.S. PATENT DOCUMENTS

3,316,636 A	5/1967	Raper, Jr. et al.	30/210
3,774,302 A	11/1973	Ketchpel, Jr. et al.	19/12
D301,961 S	7/1989	Narisue et al.	D8/8
D341,536 S	11/1993	Fukuda et al.	D8/64
D364,541 S	* 11/1995	McJunkin et al.	D8/8
D382,451 S	8/1997	Kikuchi	D8/8
D393,402 S	4/1998	Kikuchi et al.	D8/8
D397,590 S	9/1998	Meloni et al.	D8/8

5,926,960 A	7/1999	Heywood et al.	30/216
D421,558 S	3/2000	Shigo et al.	D8/61
D434,620 S	12/2000	Martin	D8/8
6,272,757 B1	8/2001	Roe	30/377
D460,667 S	7/2002	Waldron	D8/8
D463,228 S	9/2002	Cooper	D8/8
D463,229 S	9/2002	Gabriel	D8/8
D468,600 S	* 1/2003	Evans	D8/8
D473,116 S	* 4/2003	Jong	D8/8

* cited by examiner

Primary Examiner—Robin V. Taylor

(74) *Attorney, Agent, or Firm*—Harrington & Smith, LLP

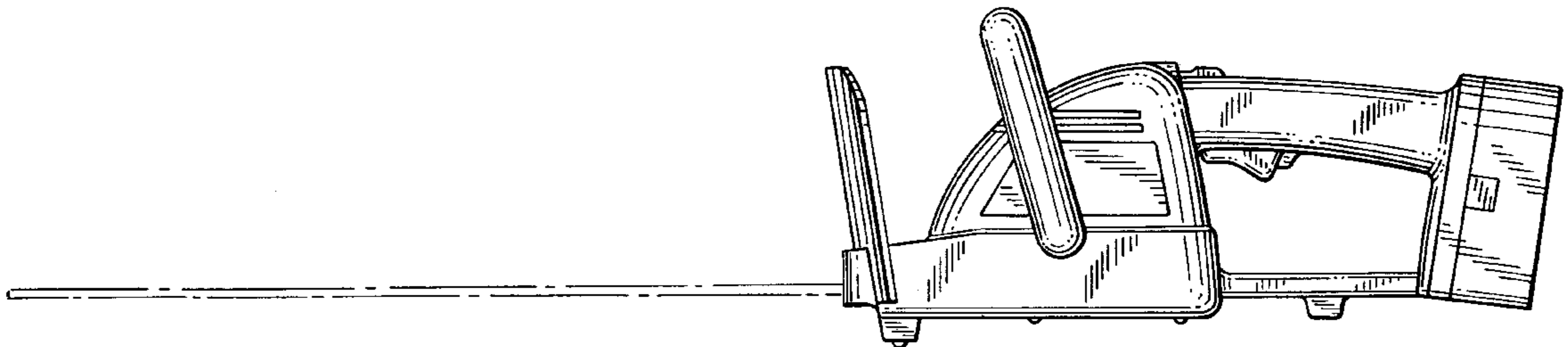
(57) **CLAIM**

We claim the ornamental design for a hedge trimmer, as shown and described.

DESCRIPTION

FIG. 1 is a right side elevational view of a hedge trimmer incorporating our new design;
FIG. 2 is a top plan view thereof;
FIG. 3 is a front side elevational view thereof;
FIG. 4 is a rear side elevational view thereof;
FIG. 5 is a bottom plan view thereof; and,
FIG. 6 is a left side elevational view thereof.
The broken lines showing of the cutting blade is for illustrative purposes only and forms no part of the claimed design.

1 Claim, 3 Drawing Sheets



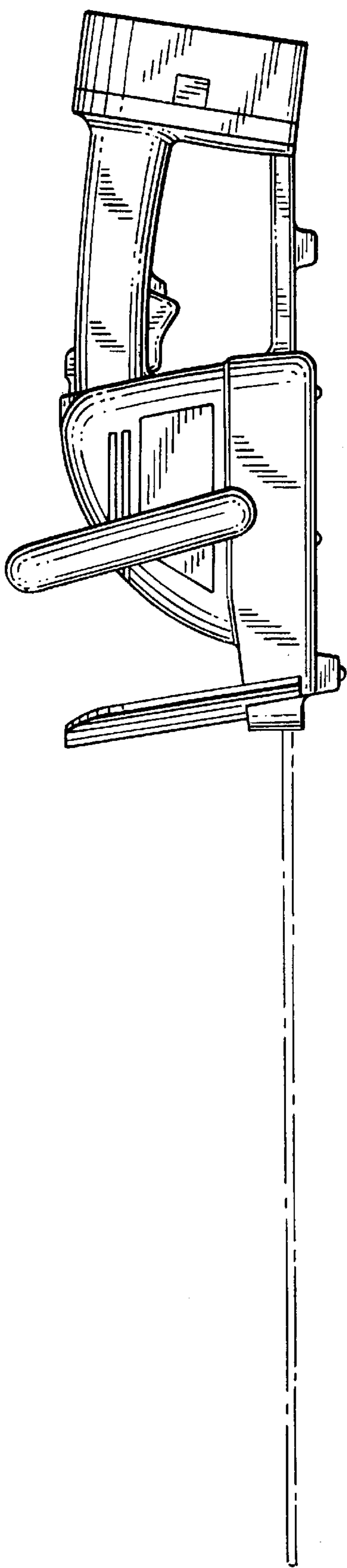


FIG. 1

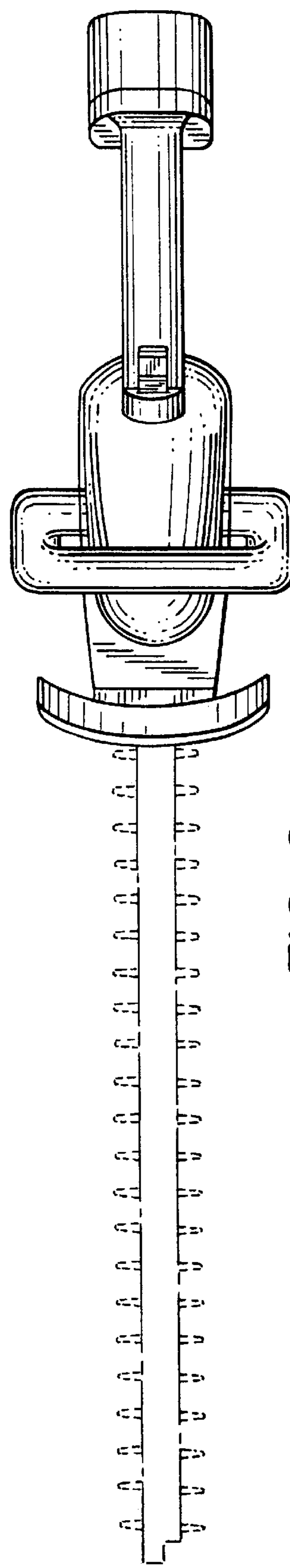


FIG. 2

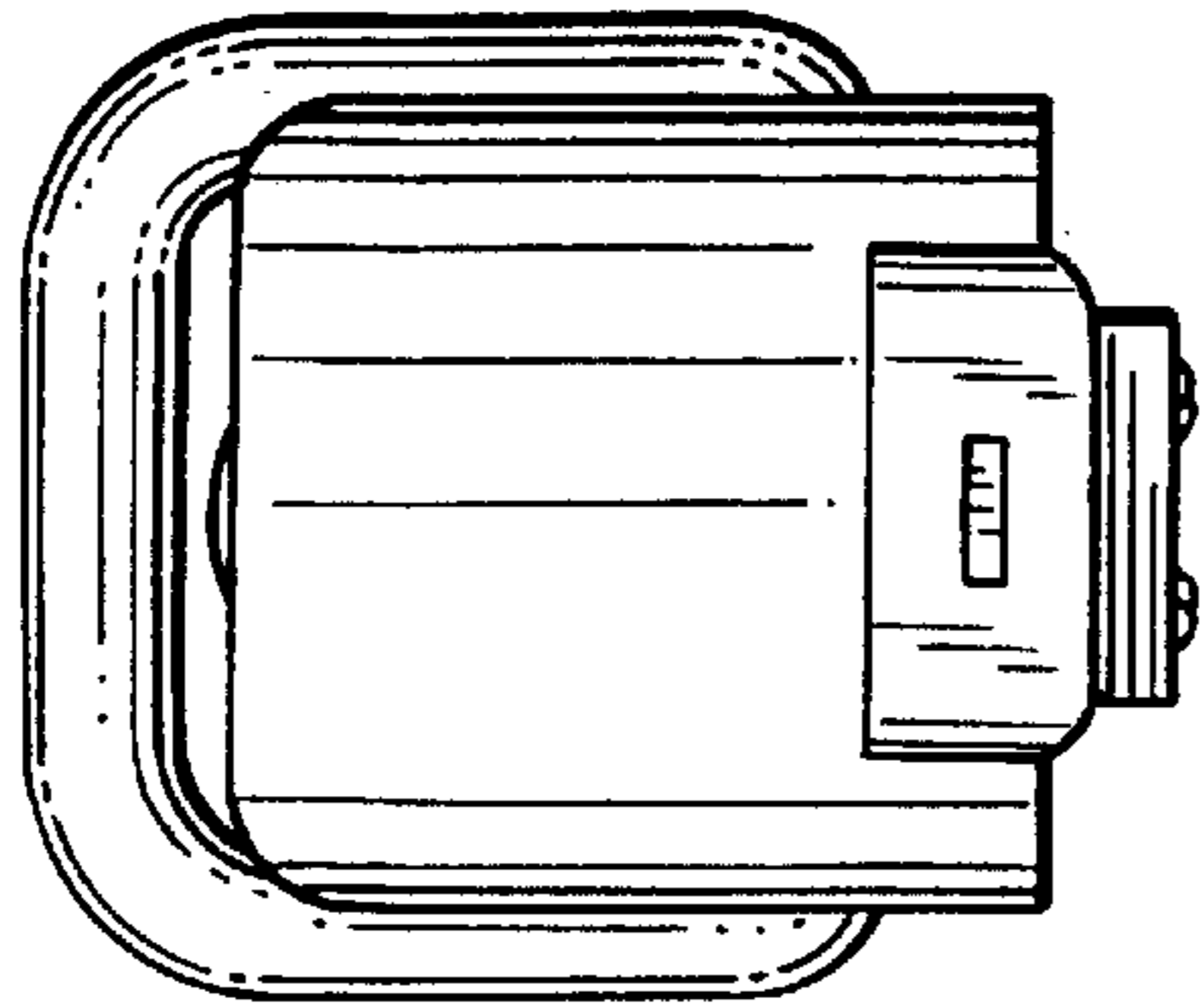


FIG. 3

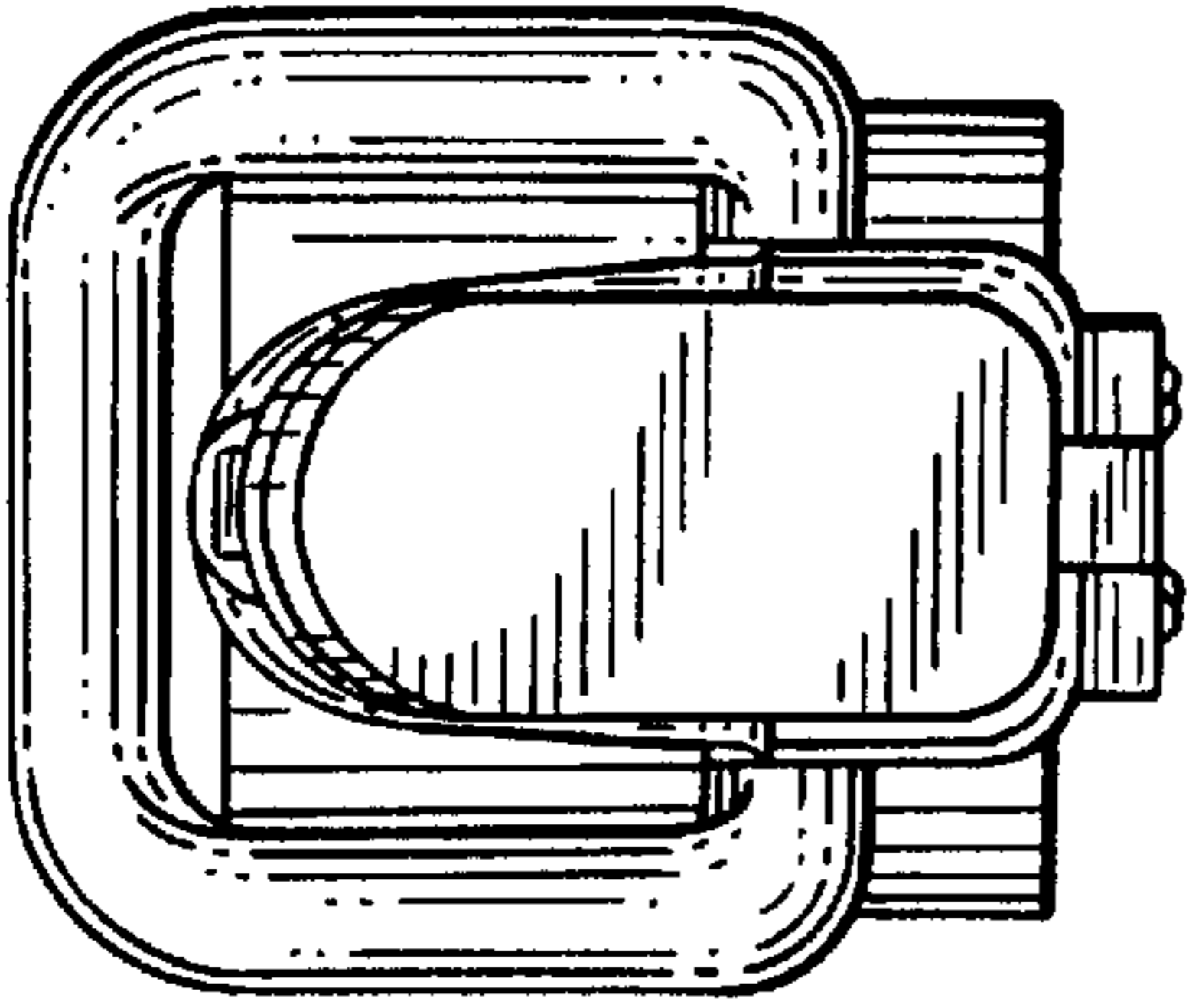


FIG. 4

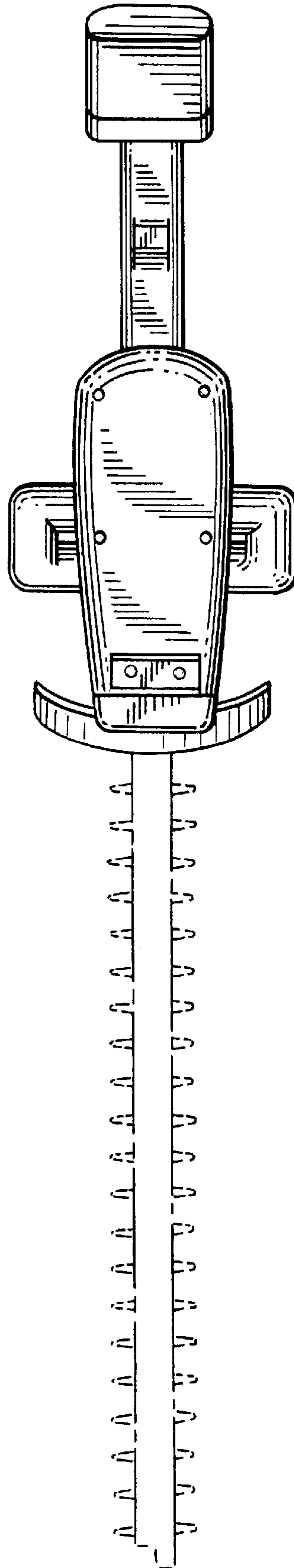


FIG. 5

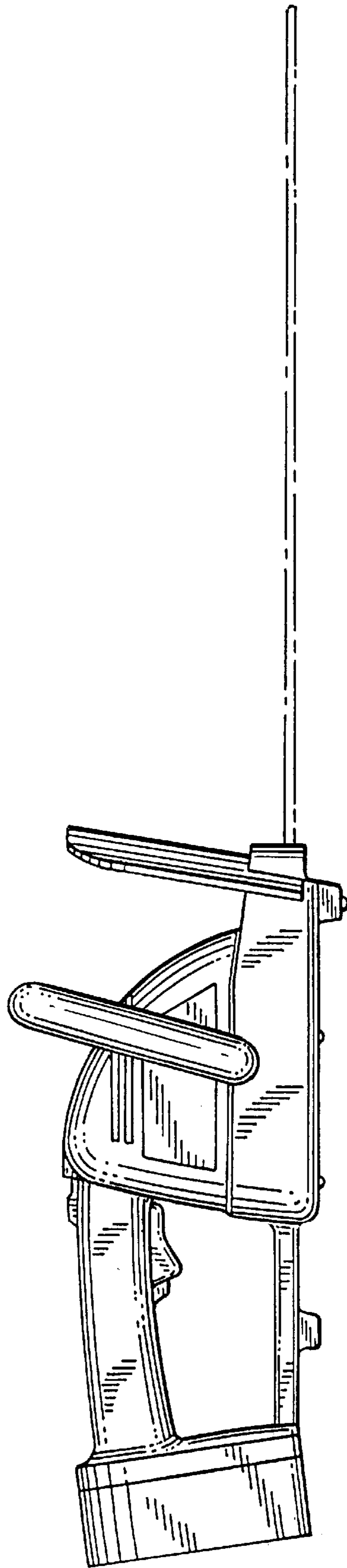


FIG.6