



US00D482942S

(12) **United States Design Patent**
Ohi et al.

(10) **Patent No.:** **US D482,942 S**

(45) **Date of Patent:** **** Dec. 2, 2003**

- (54) **STRING TRIMMER POWER HEAD AND SHAFT**
- (75) Inventors: **Taku Ohi**, Greer, SC (US); **Kenneth M. Brazell**, Piedmont, SC (US); **Benjamin J. Thomas**, Anderson, SC (US); **Jay A. Goddard**, Easley, SC (US); **Ernest W. Spangler, III**, Raleigh, NC (US)
- (73) Assignee: **Homelite Technologies, Ltd.**, Hamilton (BM)
- (**) Term: **14 Years**
- (21) Appl. No.: **29/172,043**
- (22) Filed: **Dec. 4, 2002**
- (51) **LOC (7) Cl.** **08-01**
- (52) **U.S. Cl.** **D8/8**
- (58) **Field of Search** D8/1, 8, 9; 30/276; 172/13, 14; 56/12.7

D398,010 S	9/1998	Yoshida et al.	D15/1
5,865,155 A	2/1999	Nagashima	123/398
D414,499 S	9/1999	Ohi et al.	D15/1
5,970,694 A	* 10/1999	Knox, Jr.	56/16.7
6,006,434 A	12/1999	Templeton et al.	30/296.1
6,055,797 A	5/2000	Nagashima	56/11.3
6,056,668 A	5/2000	Nagashima	477/207
6,065,214 A	5/2000	Nagashima	30/276
6,125,547 A	10/2000	Nagashima	30/276
6,167,973 B1	1/2001	Nagashima	173/221
6,196,082 B1	3/2001	Iwata	75/501.6
D474,947 S	* 5/2003	Holmdahl et al.	D8/8

* cited by examiner

Primary Examiner—Robin V. Taylor

(74) *Attorney, Agent, or Firm*—Harrington & Smith, LLP

(57) **CLAIM**

We claim the ornamental design for a string trimmer power head and shaft, as shown and described.

DESCRIPTION

FIG. 1 is a perspective view of the top, front and right side of the string trimmer power head and shaft incorporating our new design;

FIG. 2 is a top plan view thereof;

FIG. 3 is a right side view thereof;

FIG. 4 is a rear elevational view thereof;

FIG. 5 is a front elevational view thereof;

FIG. 6 is a left side view thereof; and,

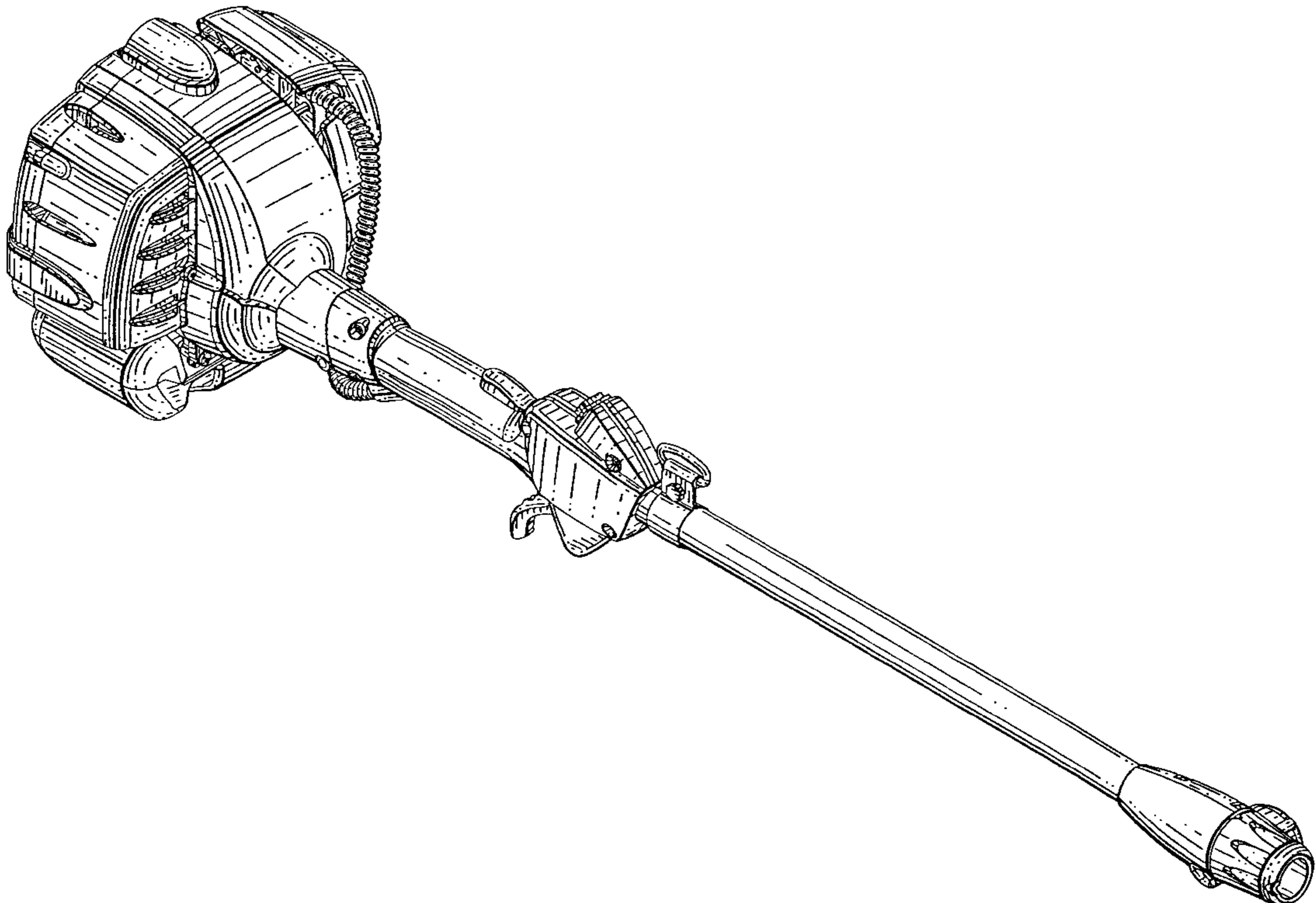
FIG. 7 is a bottom plan view thereof.

1 Claim, 4 Drawing Sheets

(56) **References Cited**

U.S. PATENT DOCUMENTS

4,841,929 A	6/1989	Tuggle et al.	123/198 E
D324,221 S	2/1992	Kiyooka et al.	D15/1
D349,022 S	* 7/1994	Kiyooka et al.	D8/8
5,447,206 A	9/1995	Coleman et al.	173/170
5,540,291 A	7/1996	Coleman	173/170
5,718,052 A	2/1998	Taomo et al.	30/276
5,774,993 A	7/1998	Schlessmann	30/276



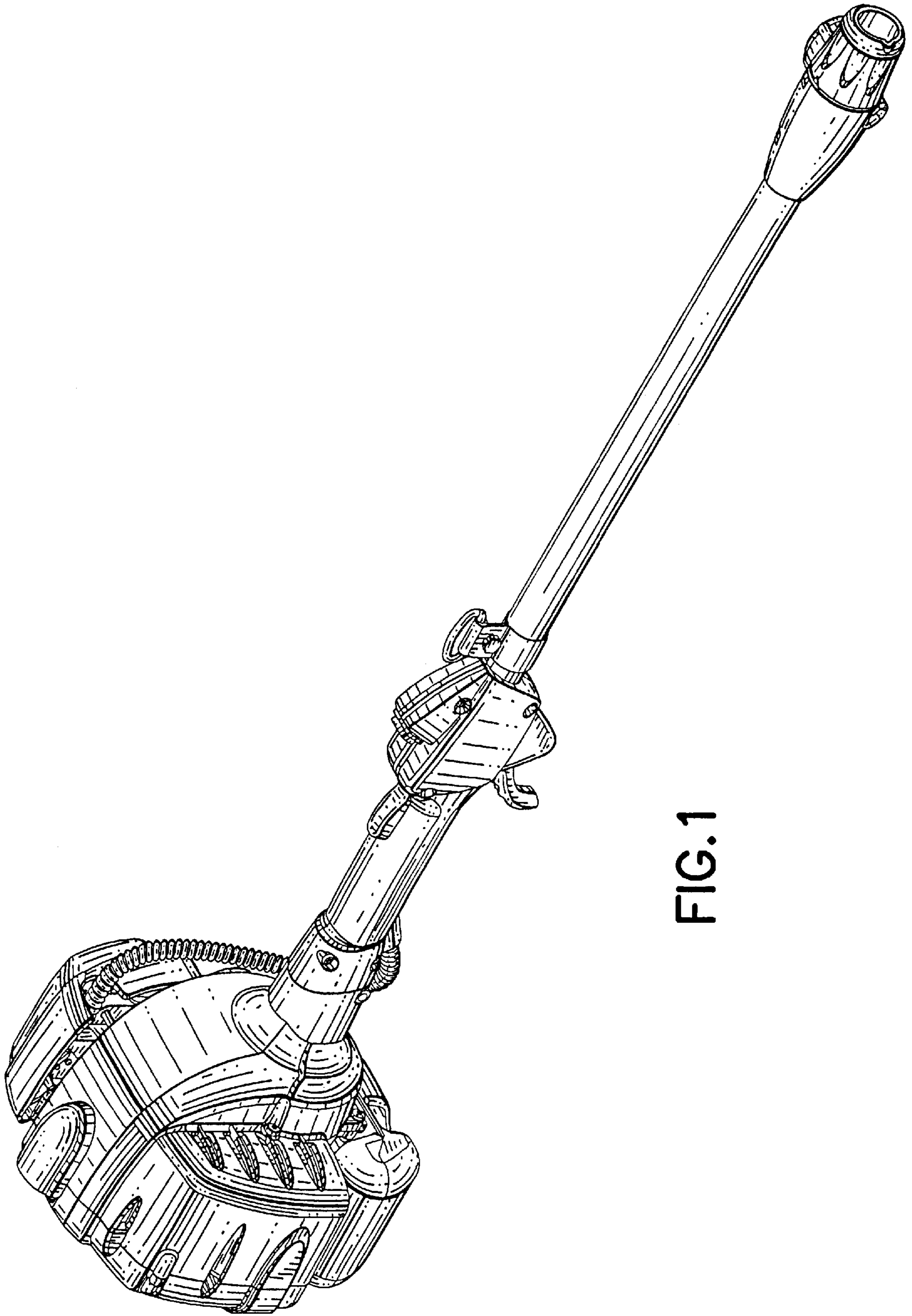


FIG.1

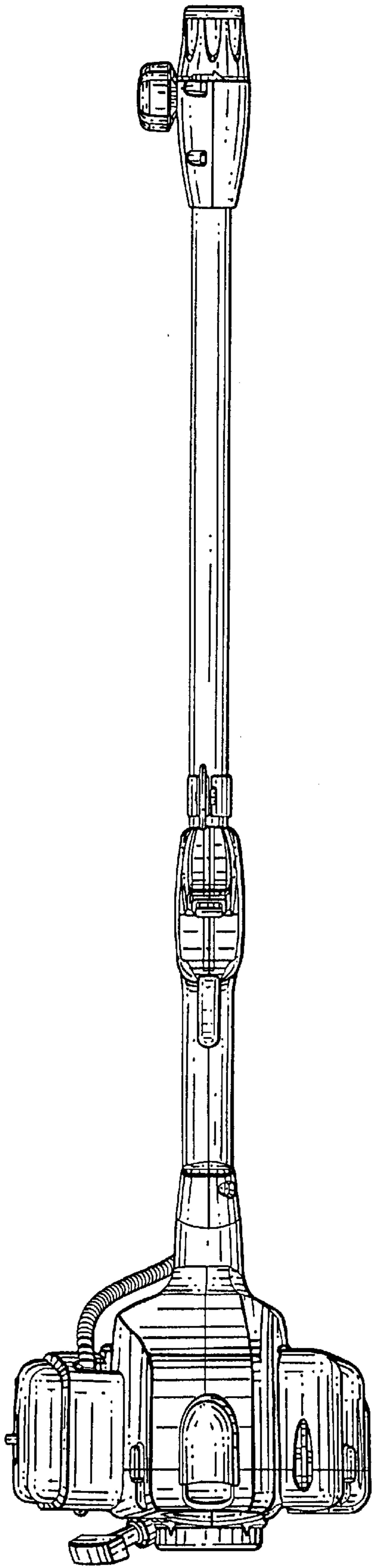


FIG. 2

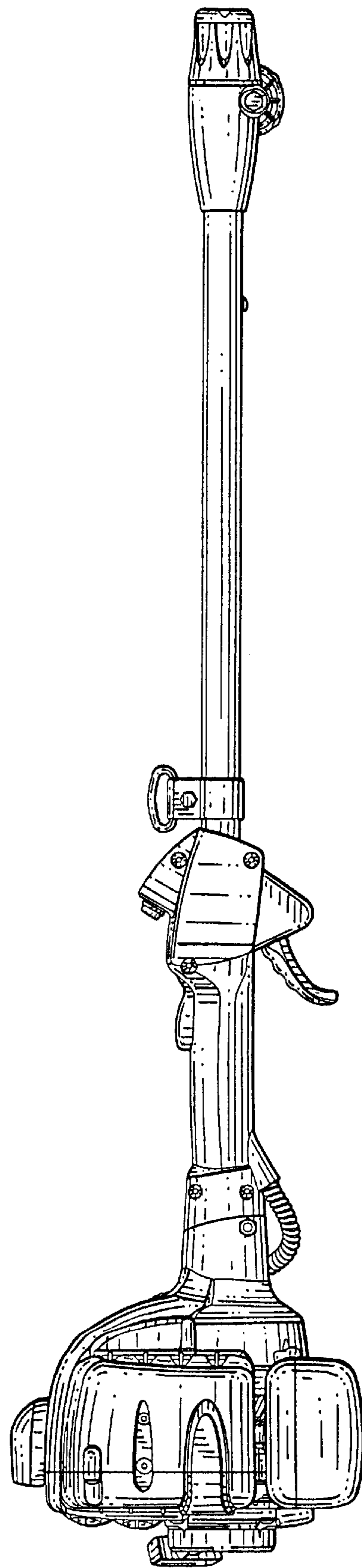


FIG. 3

FIG. 4

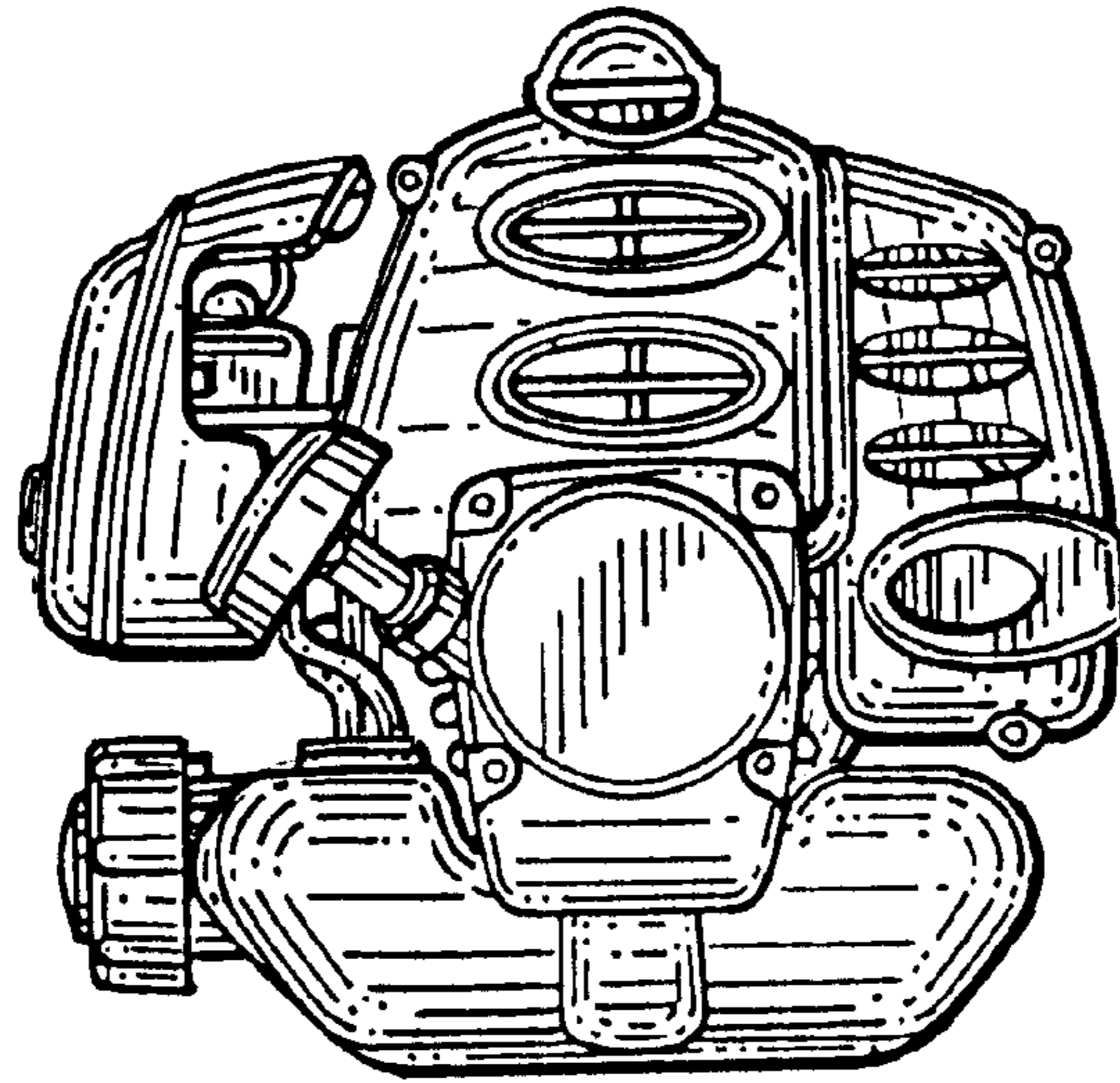
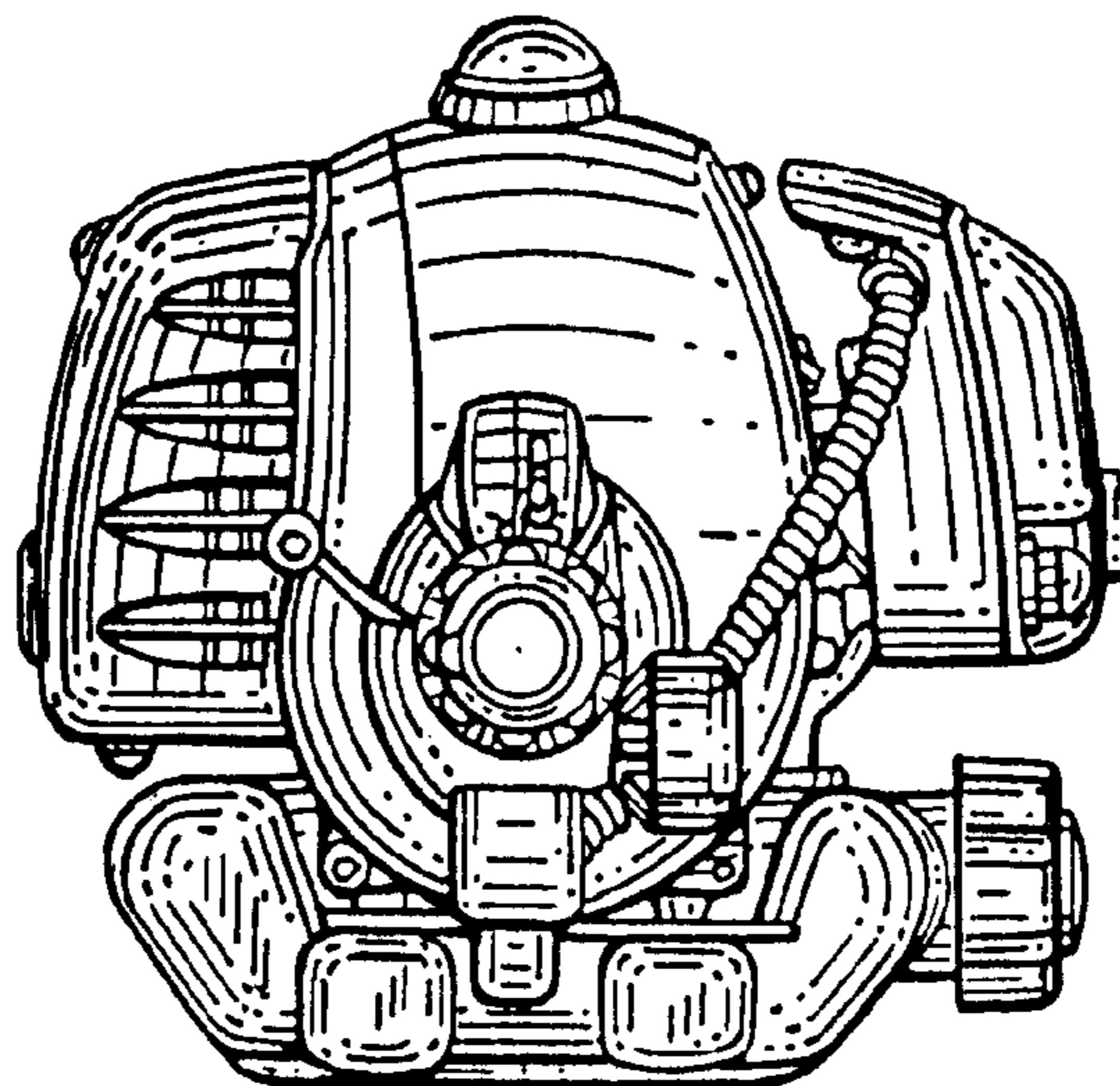


FIG. 5



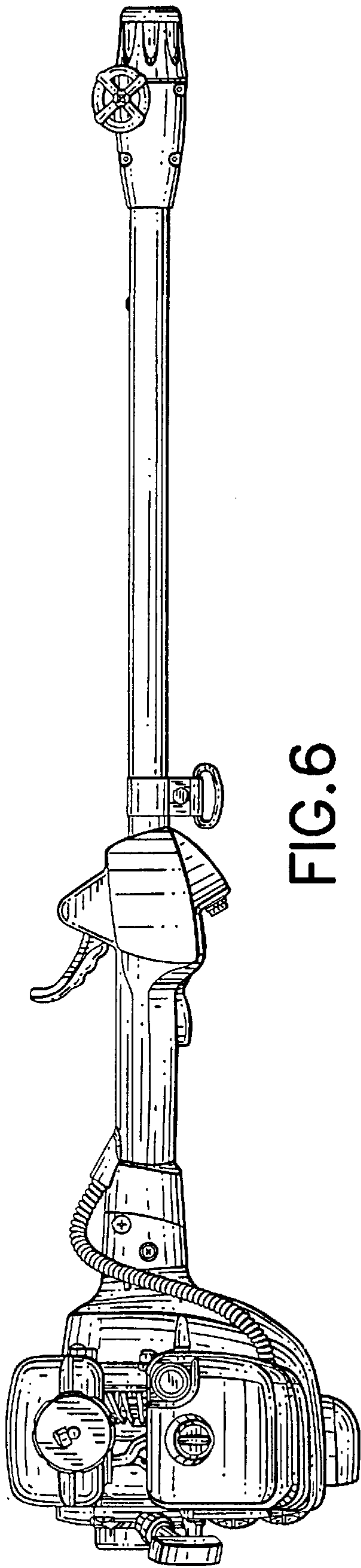


FIG. 6

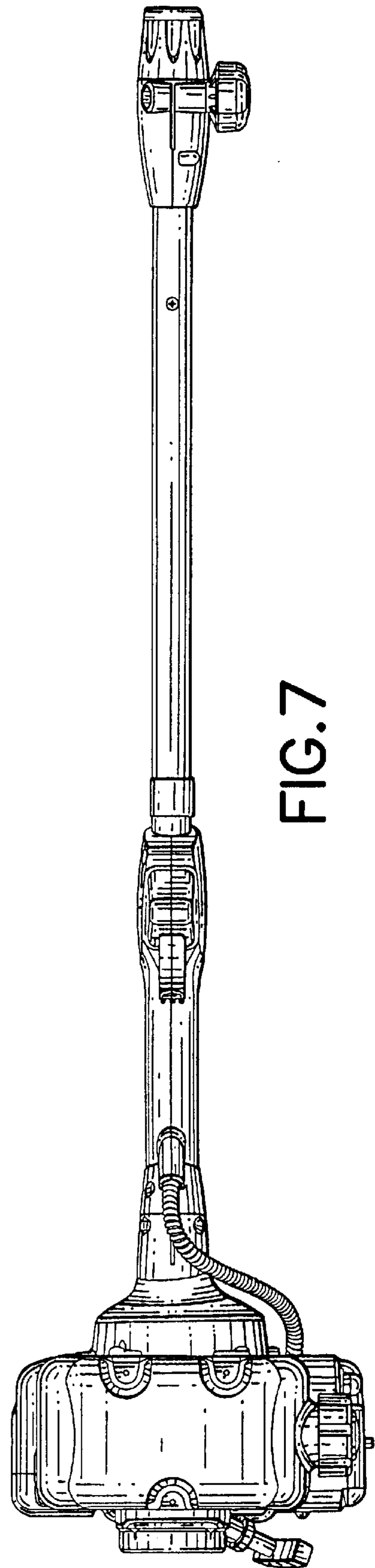


FIG. 7