



US00D482941S

(12) **United States Design Patent**
Nyström

(10) **Patent No.:** **US D482,941 S**

(45) **Date of Patent:** **** Dec. 2, 2003**

(54) **TRIMMER HEAD**

5,461,787 A * 10/1995 Araki et al. 30/276
6,163,964 A * 12/2000 Calcinaï 30/347

(75) Inventor: **Marcus Nyström, Jönköping (SE)**

* cited by examiner

(73) Assignee: **Aktiebolaget Electrolux, Stockholm (SE)**

Primary Examiner—Robin V. Taylor
(74) *Attorney, Agent, or Firm*—Pearne & Gordon LLP

(**) Term: **14 Years**

(57) **CLAIM**

(21) Appl. No.: **29/171,254**

The ornamental design for a trimmer head, as shown and described.

(22) Filed: **Nov. 19, 2002**

(30) **Foreign Application Priority Data**

DESCRIPTION

May 23, 2002 (SE) 02-0833

FIG. 1 is a first perspective view of the trimmer head according to an embodiment of the present invention; FIG. 2 is a top plan view of the trimmer head of FIG. 1; FIG. 3 is a bottom view of the trimmer head of FIG. 1; FIG. 4 is a front view of the trimmer head of FIG. 1, a rear view being identical thereto; FIG. 5 is a left side view of the trimmer head of FIG. 1, a right side view being identical thereto; and, FIG. 6 is a second perspective view of the trimmer head of FIG. 1.

(51) **LOC (7) Cl.** **08-01**

(52) **U.S. Cl.** **D8/8**

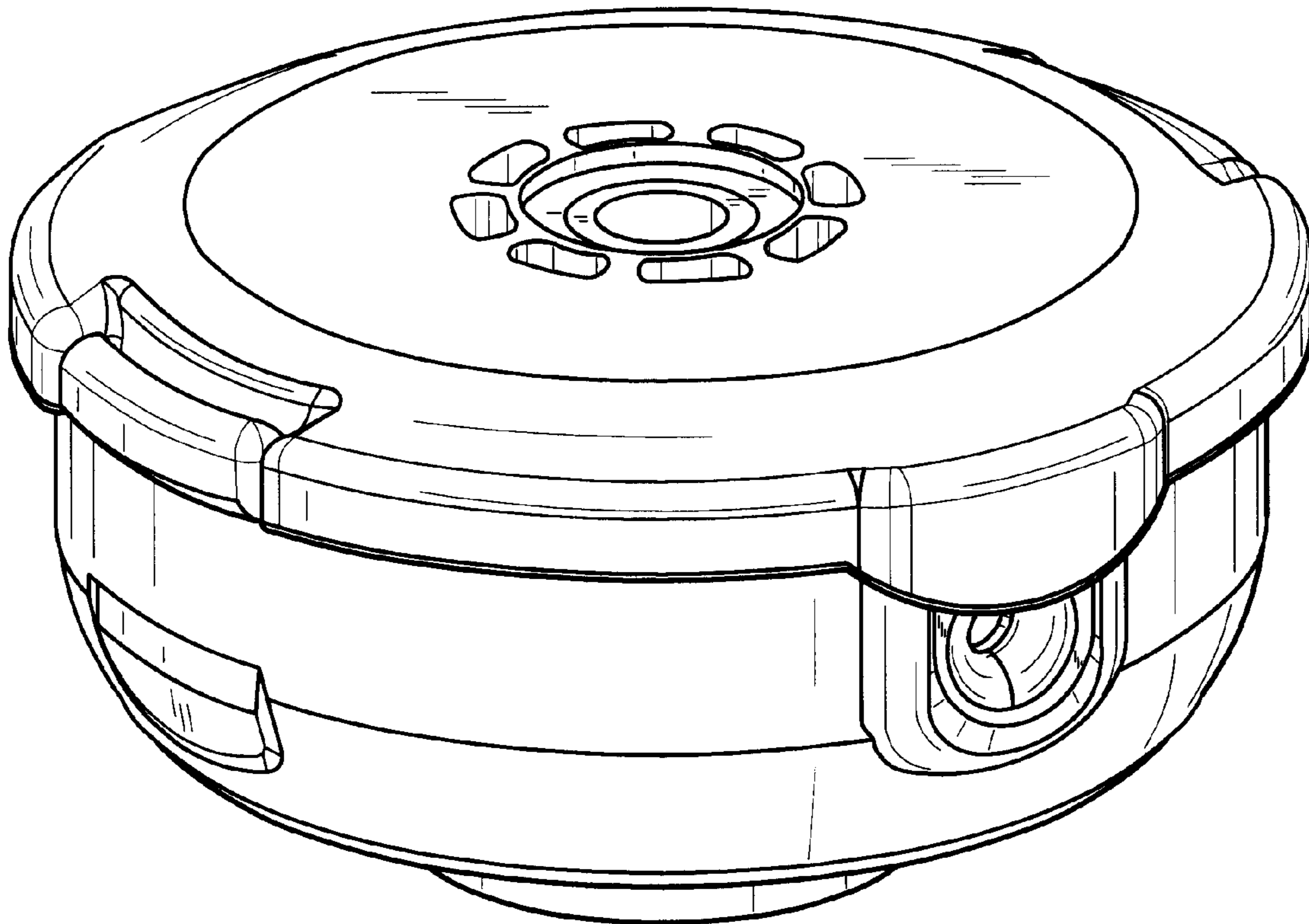
(58) **Field of Search** D8/8, 9, 1; 56/12.7, 56/295; 30/276

(56) **References Cited**

U.S. PATENT DOCUMENTS

D254,173 S * 2/1980 Proulx D8/8
D302,779 S * 8/1989 Baba D8/8

1 Claim, 6 Drawing Sheets



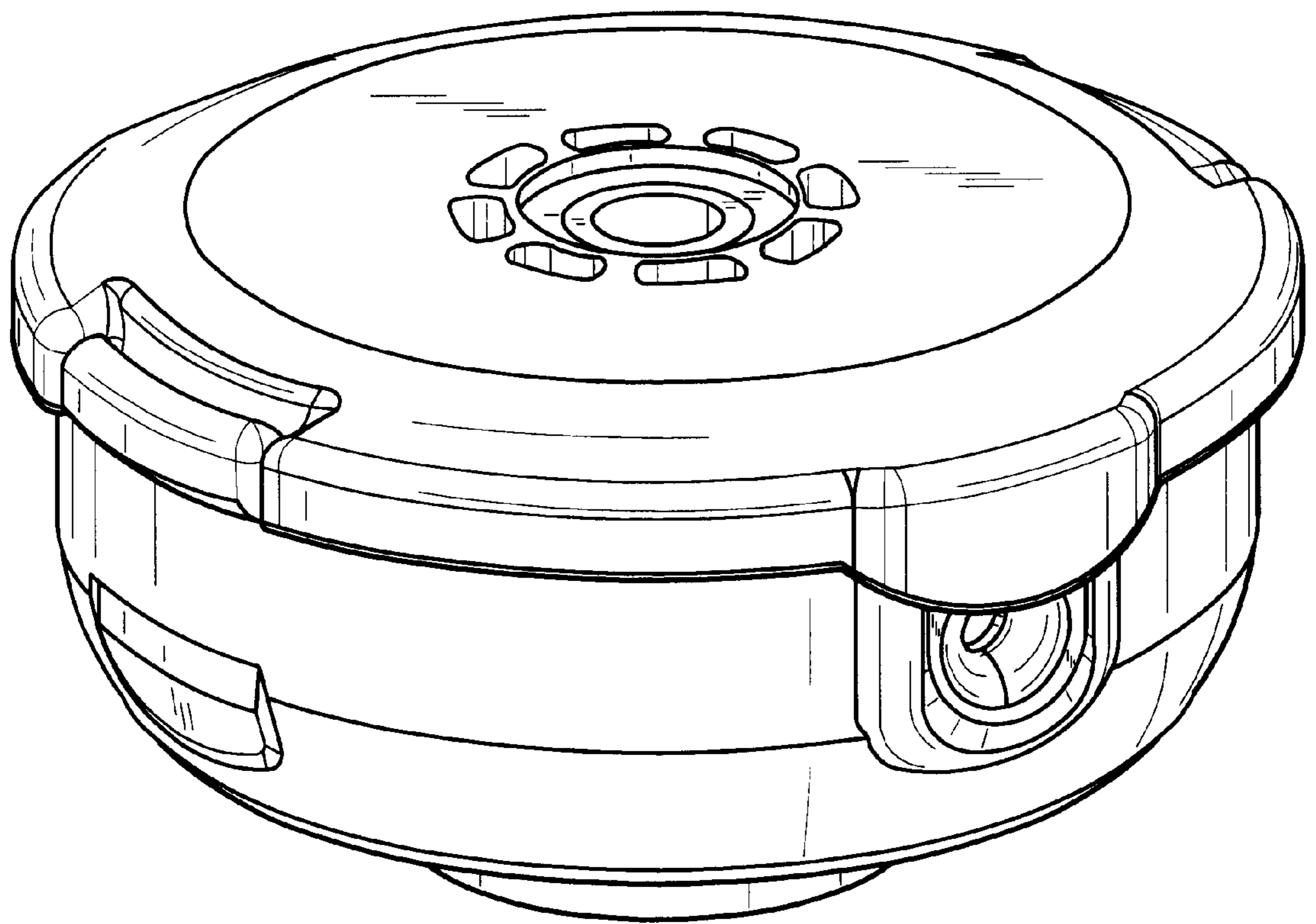


FIG. 1

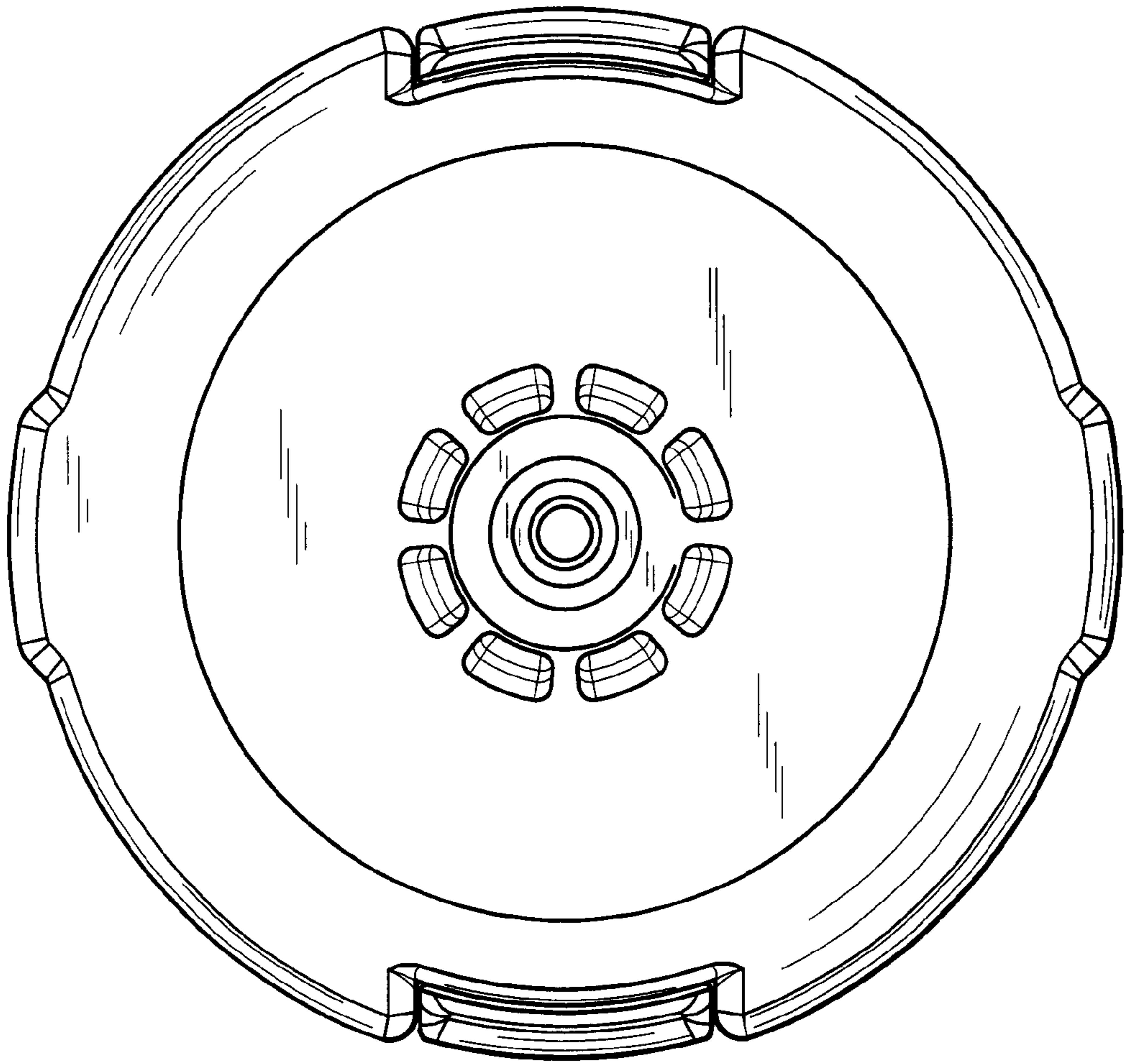


FIG. 2

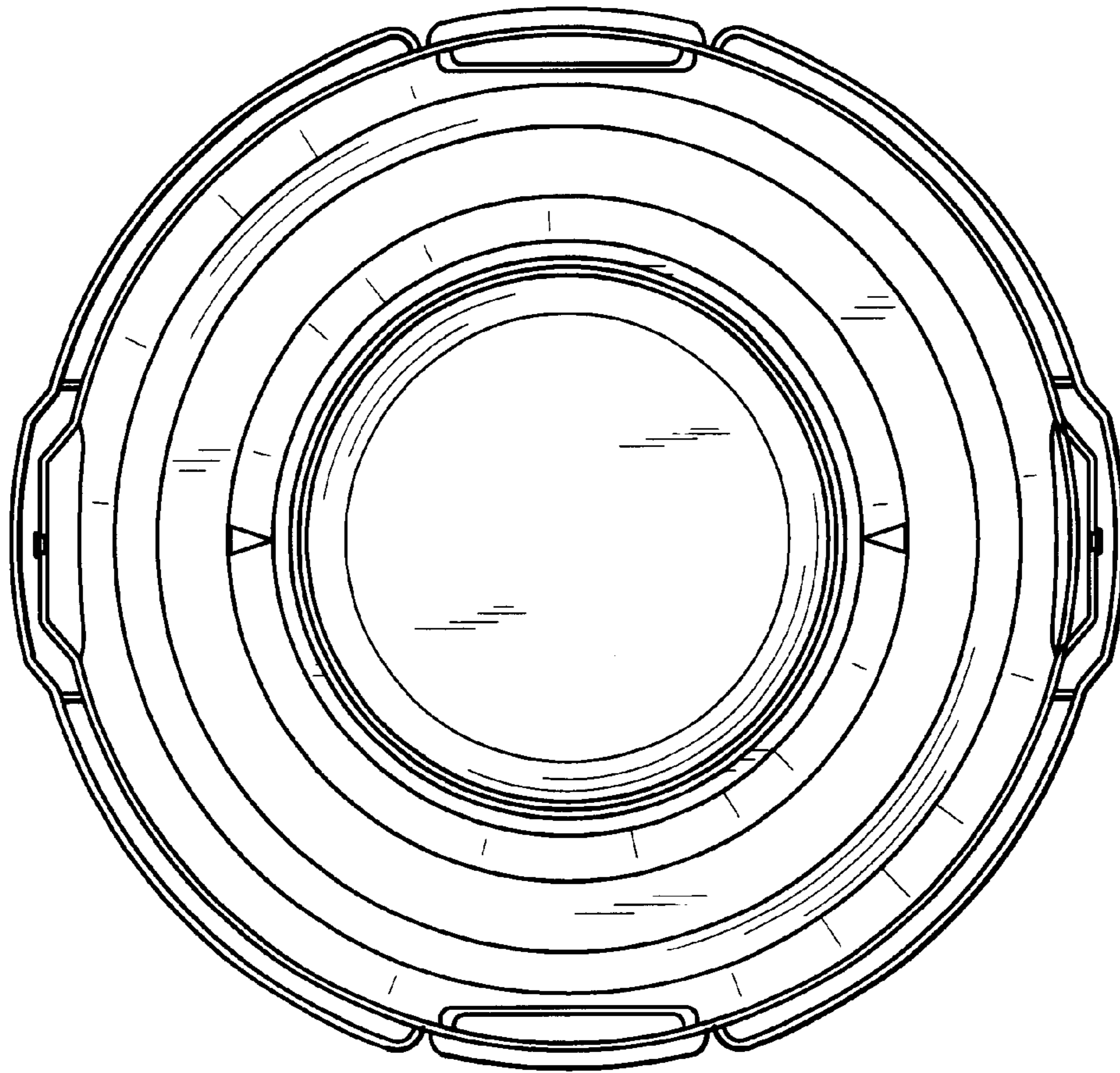


FIG. 3

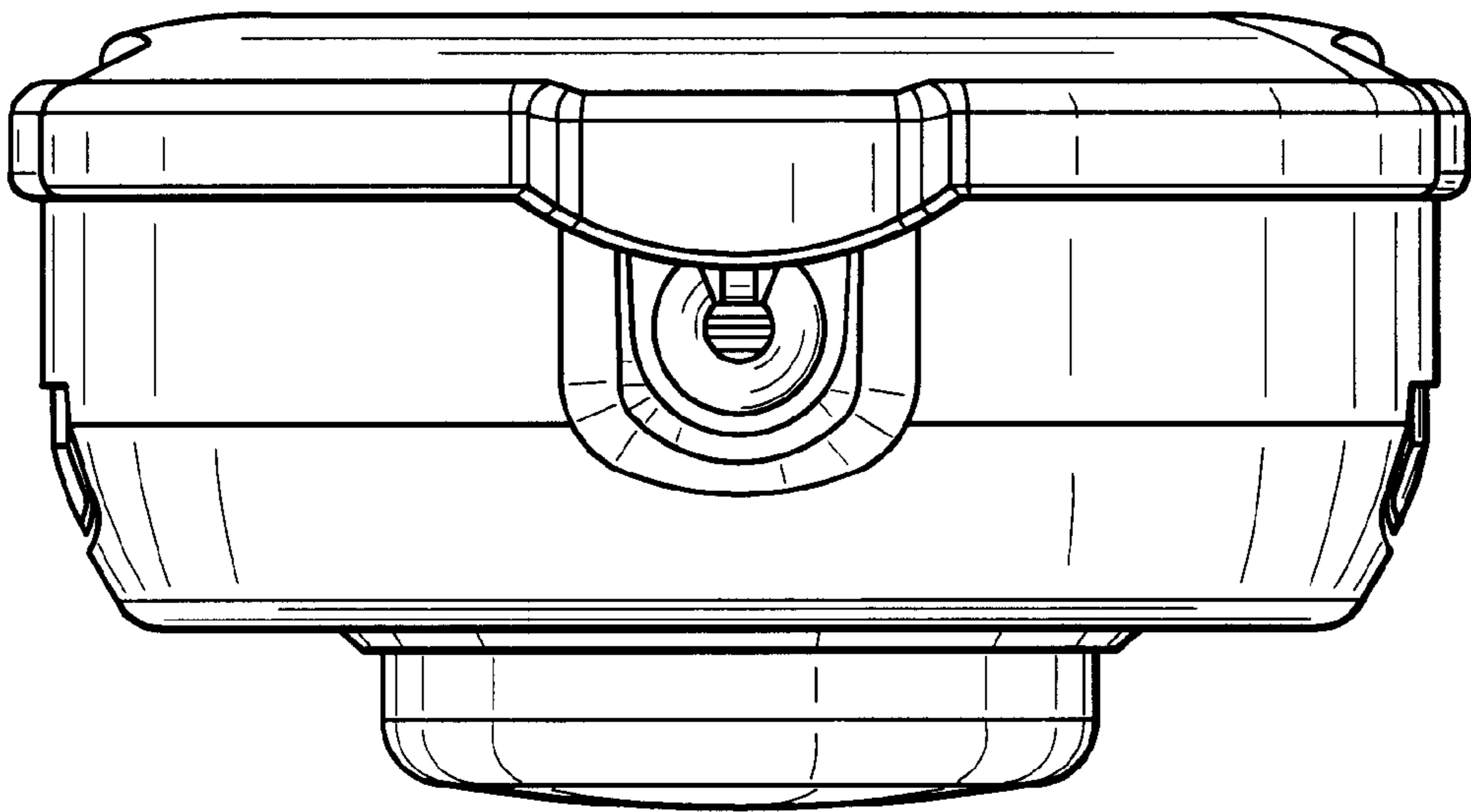


FIG. 4

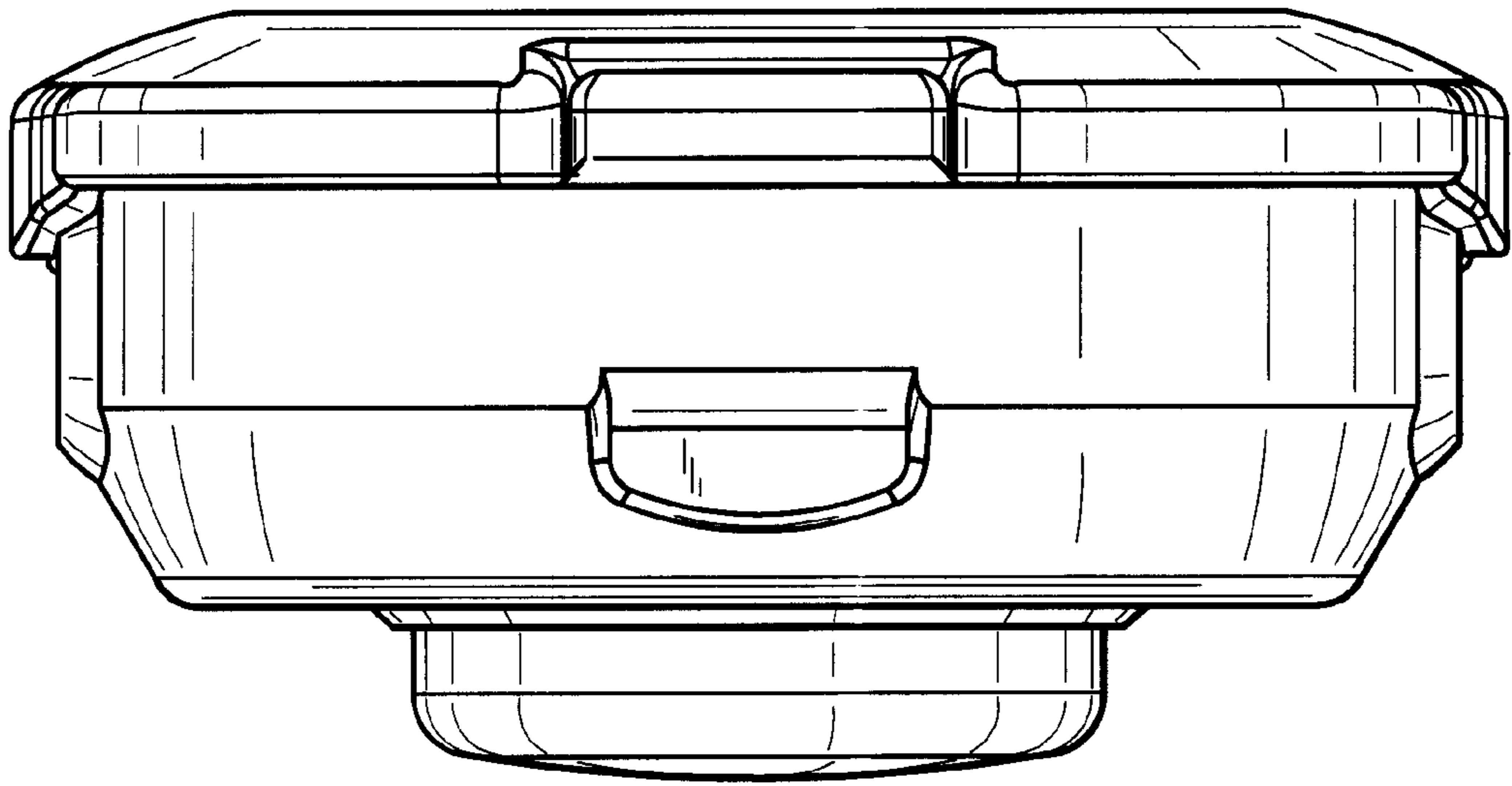


FIG. 5

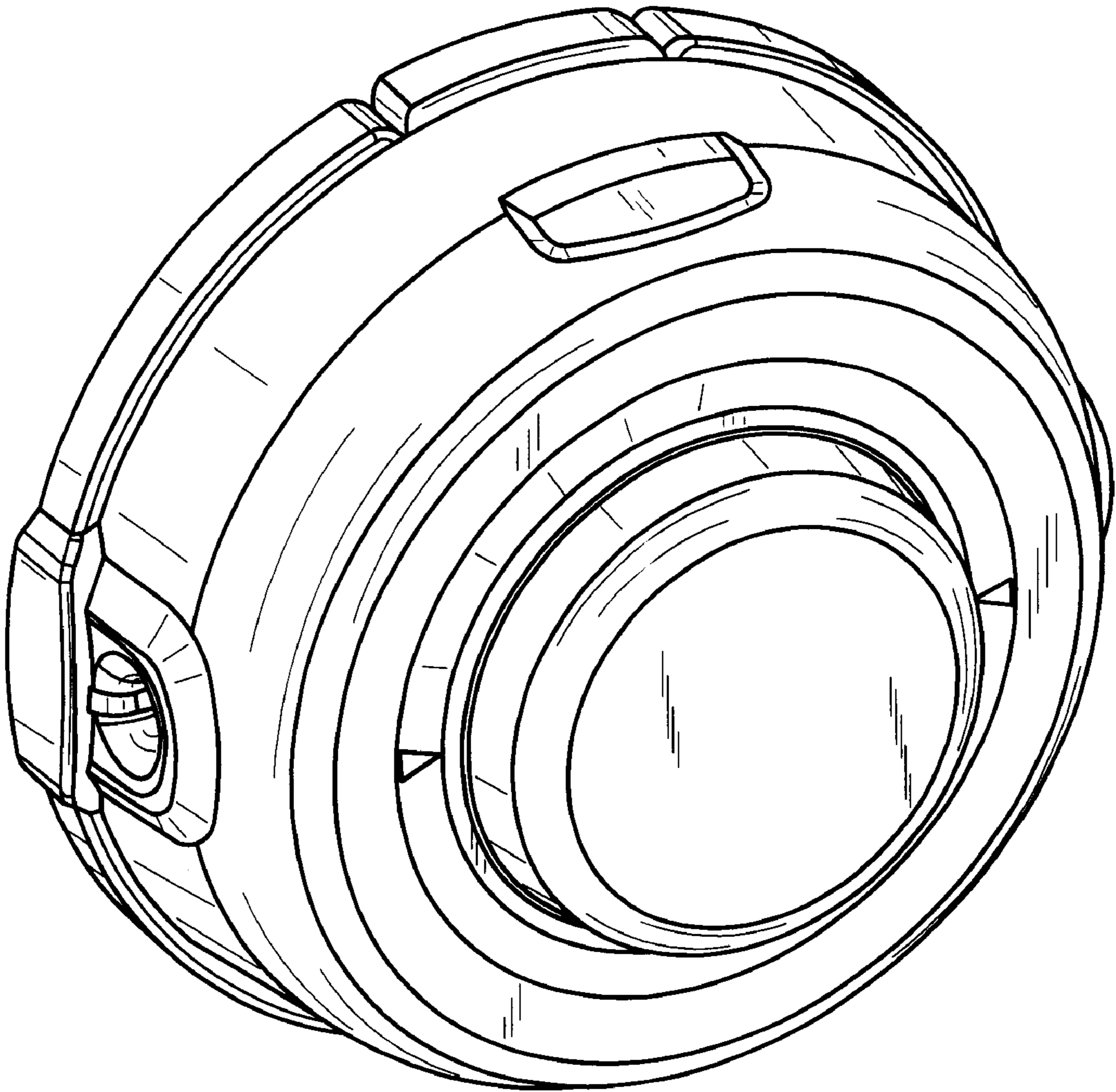


FIG. 6