



US00D482940S

(12) **United States Design Patent**
Nawrozki

(10) **Patent No.:** **US D482,940 S**

(45) **Date of Patent:** **** Dec. 2, 2003**

(54) **EDGER**

(75) Inventor: **Damon Nawrozki**, Baltimore, MD (US)

(73) Assignee: **Black & Decker Inc.**, Newark, DE (US)

(**) Term: **14 Years**

(21) Appl. No.: **29/160,187**

(22) Filed: **May 3, 2002**

(51) **LOC (7) Cl.** **08-01**

(52) **U.S. Cl.** **D8/8**

(58) **Field of Search** D8/1, 8, 9; 30/276, 30/DIG. 5; 172/13, 14; 56/12.7

(56) **References Cited**

U.S. PATENT DOCUMENTS

4,463,544 A	8/1984	Carsello et al.	
D360,563 S	7/1995	Griffin et al.	
D382,450 S	* 8/1997	Meisner et al.	D8/8
D423,308 S	4/2000	Marshall et al.	
D427,861 S	7/2000	Cooper et al.	
D440,131 S	* 4/2001	Aglassinger et al.	D8/8
D457,403 S	* 5/2002	Cooper	D8/8

* cited by examiner

Primary Examiner—Robin V. Taylor

(74) *Attorney, Agent, or Firm*—Harness, Dickey & Pierce, P.L.C.

(57) **CLAIM**

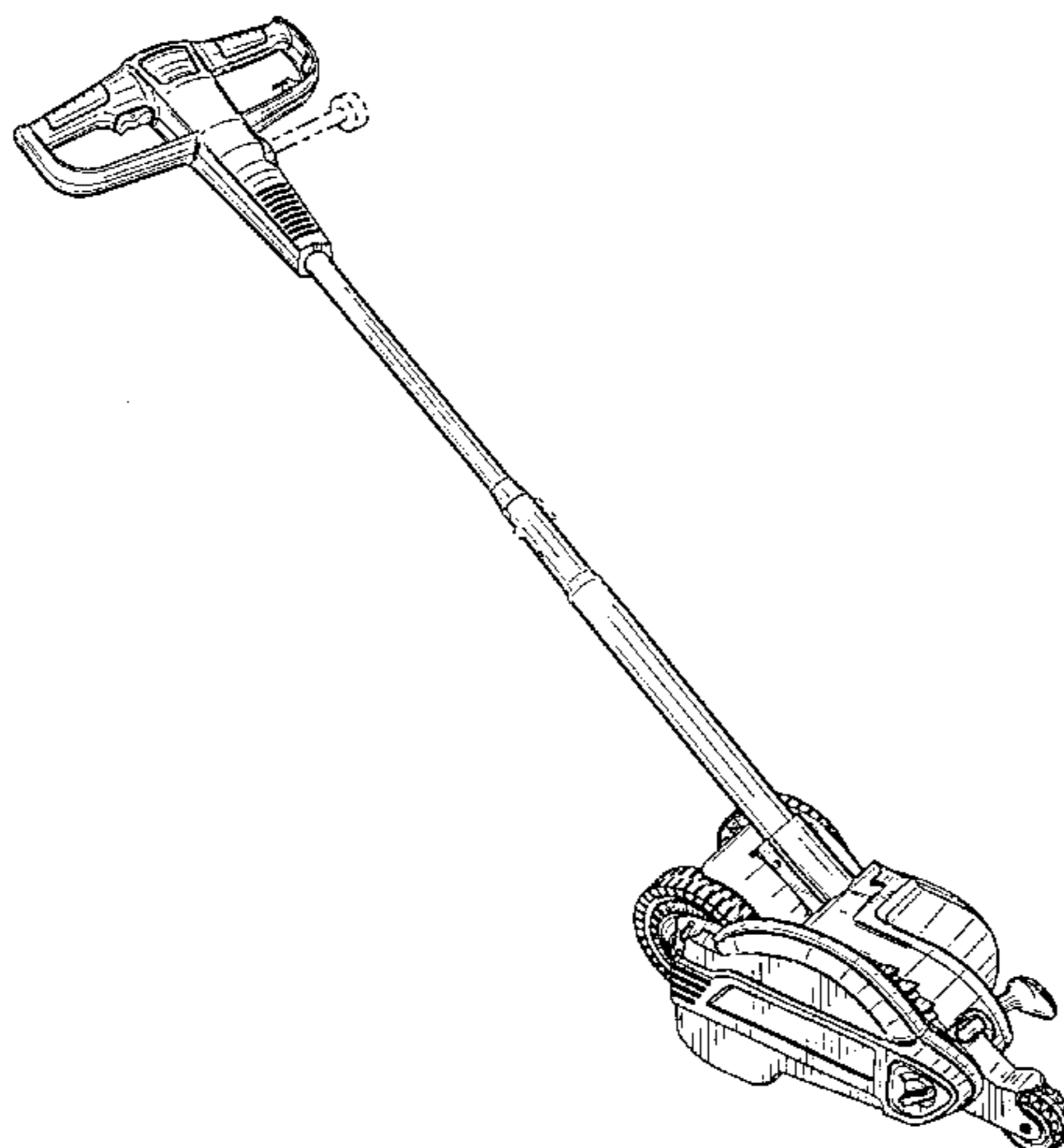
The ornamental design for an edger, as shown and described.

DESCRIPTION

- FIG. 1 is a side perspective view of an edger showing my new design;
- FIG. 2 is a top plan view of the edger;
- FIG. 3 is a right side elevation view of the edger;
- FIG. 4 is a front elevation view of the edger;
- FIG. 5 is a rear elevation view of the edger;
- FIG. 6 is a left side elevation view of the edger;

- FIG. 7 is a left side elevation of an edger showing a first alternate embodiment of my new design wherein an aperture is formed in the handle for receiving an electrical pigtail;
 - FIG. 8 is a left side elevation of an edger showing a second alternate embodiment of my new design wherein a pair of male spade terminals are housed in a circular aperture formed in the handle;
 - FIG. 9 is a left side elevation of an edger showing a third alternate embodiment of my new design wherein a pair of male spade terminals and a male grounding terminal are housed in a circular aperture formed in the handle;
 - FIG. 10 is a left side elevation of an edger showing a fourth alternate embodiment of my new design wherein a pair of male spade terminals are housed in a non-circular aperture formed in the handle;
 - FIG. 11 is a left side elevation of an edger showing a fifth alternate embodiment of my new design wherein a pair of male spade terminals and a male grounding terminal are housed in a non-circular aperture formed in the handle;
 - FIG. 12 is a top plan view of the handle of the edger of FIG. 1 shown enlarged and separately for ease of illustration;
 - FIG. 13 is a right side elevation view of the handle of the edger of FIG. 1;
 - FIG. 14 is a rear elevation view of the handle of the edger of FIG. 1;
 - FIG. 15 is a left side elevation view of the handle of the edger of FIG. 1;
 - FIG. 16 is a left side elevation view of the handle of the edger of FIG. 6B;
 - FIG. 17 is a left side elevation view of the handle of the edger of FIG. 6C;
 - FIG. 18 is a left side elevation view of the handle of the edger of FIG. 6D;
 - FIG. 19 is a left side elevation view of the handle of the edger of FIG. 6E; and,
 - FIG. 20 is a left side elevation view of the handle of the edger of FIG. 6F.
- The broken lines showing an electrical pigtail (i.e., an electrical cord that terminates at a cord-cap having two male spade terminals for electrically coupling the edger to a source of electrical power) in FIGS. 1 and 2 and the broken lines showing a fastener for coupling the handle to the remainder of the edger in FIGS. 1 through 6F are environmental only and form no part of the claimed design.

1 Claim, 20 Drawing Sheets



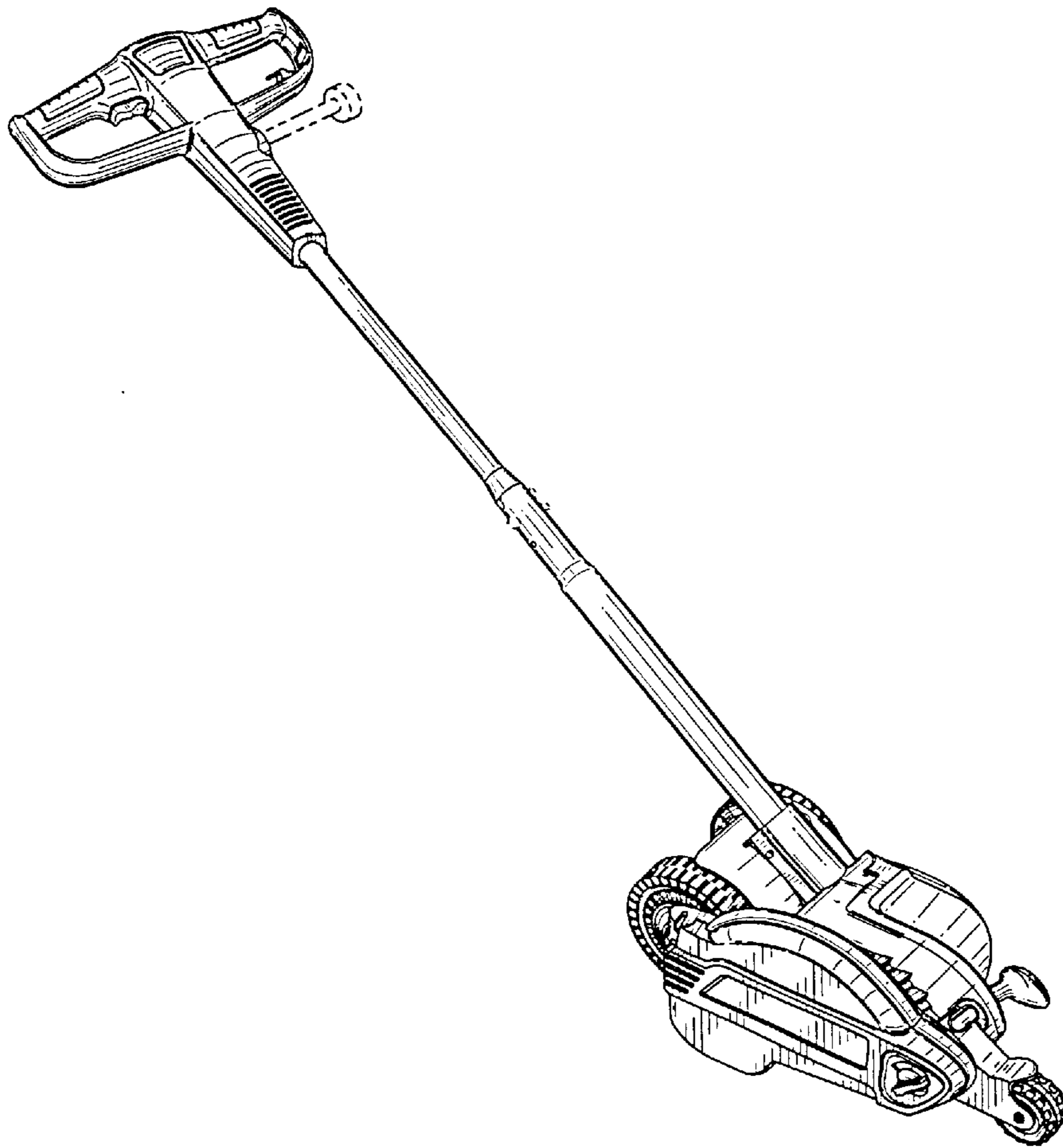


FIG. 1

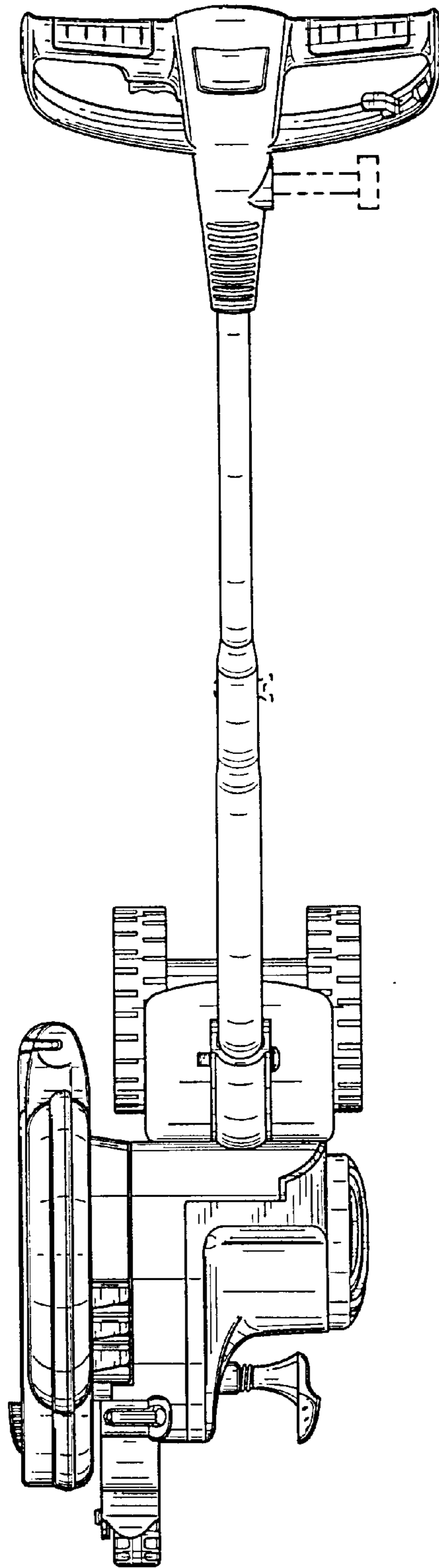


FIG. 2

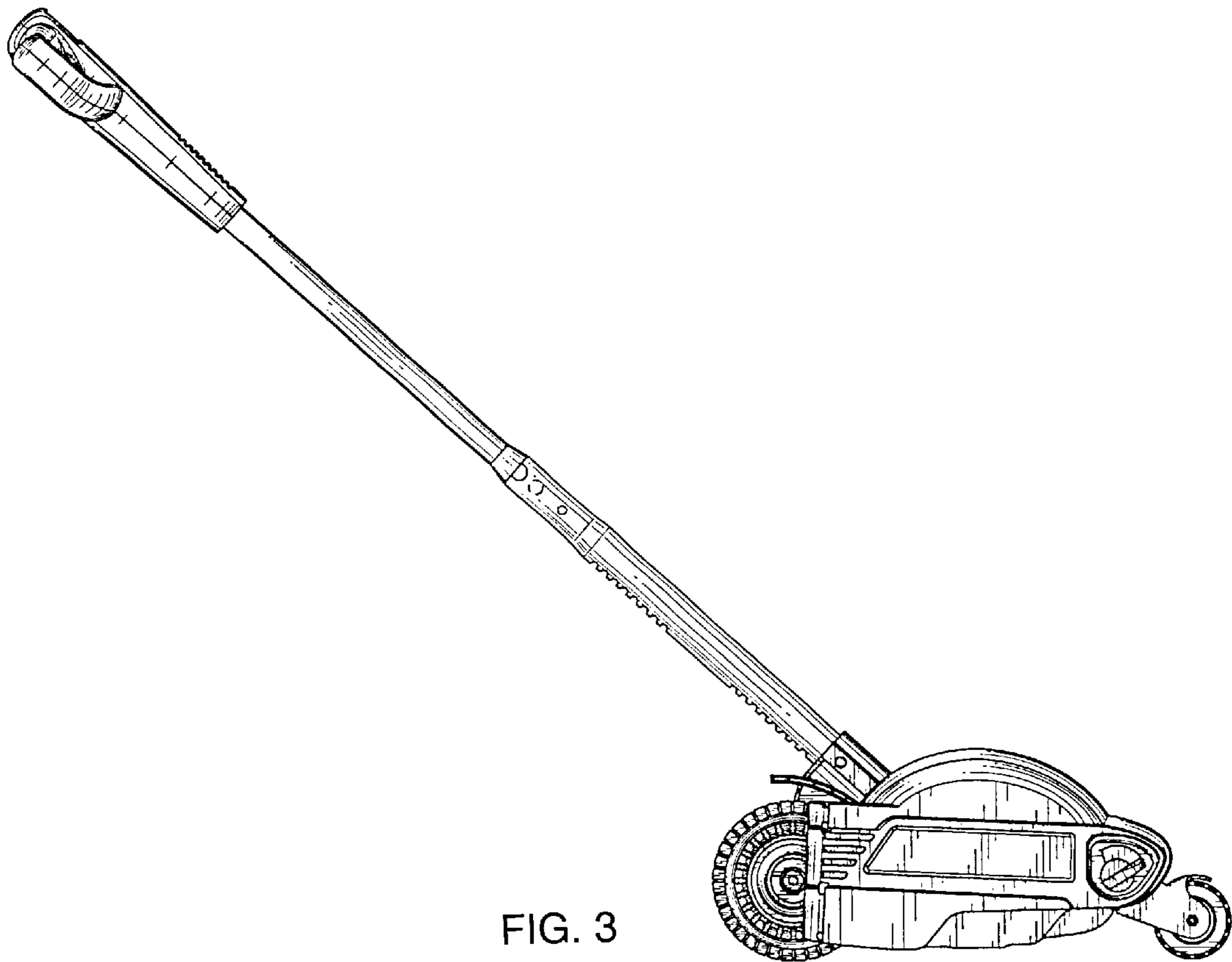


FIG. 3

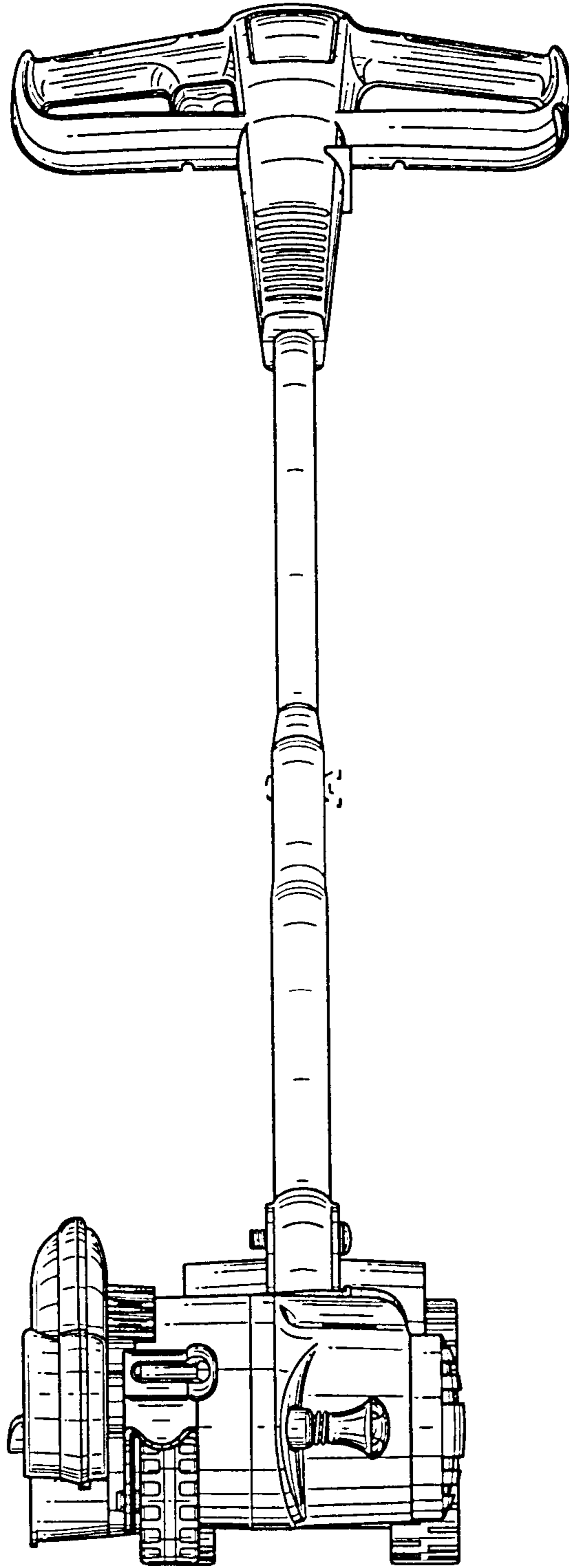


FIG. 4

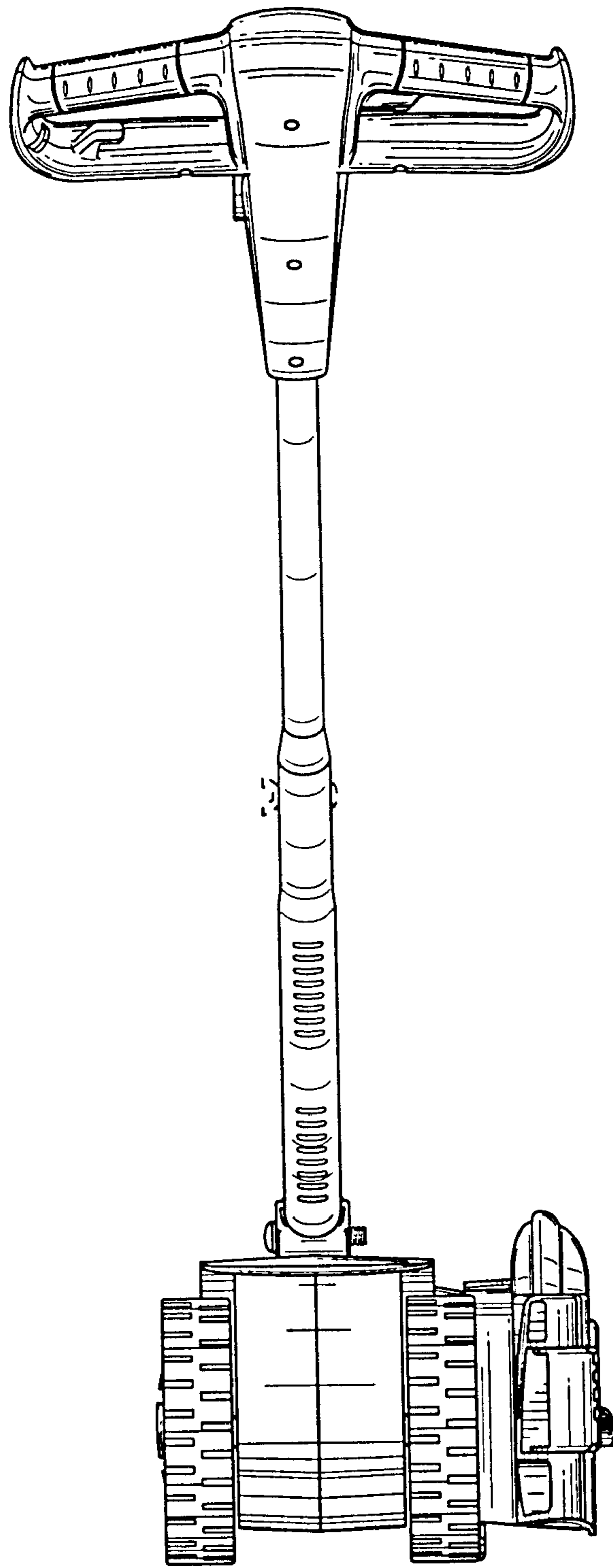
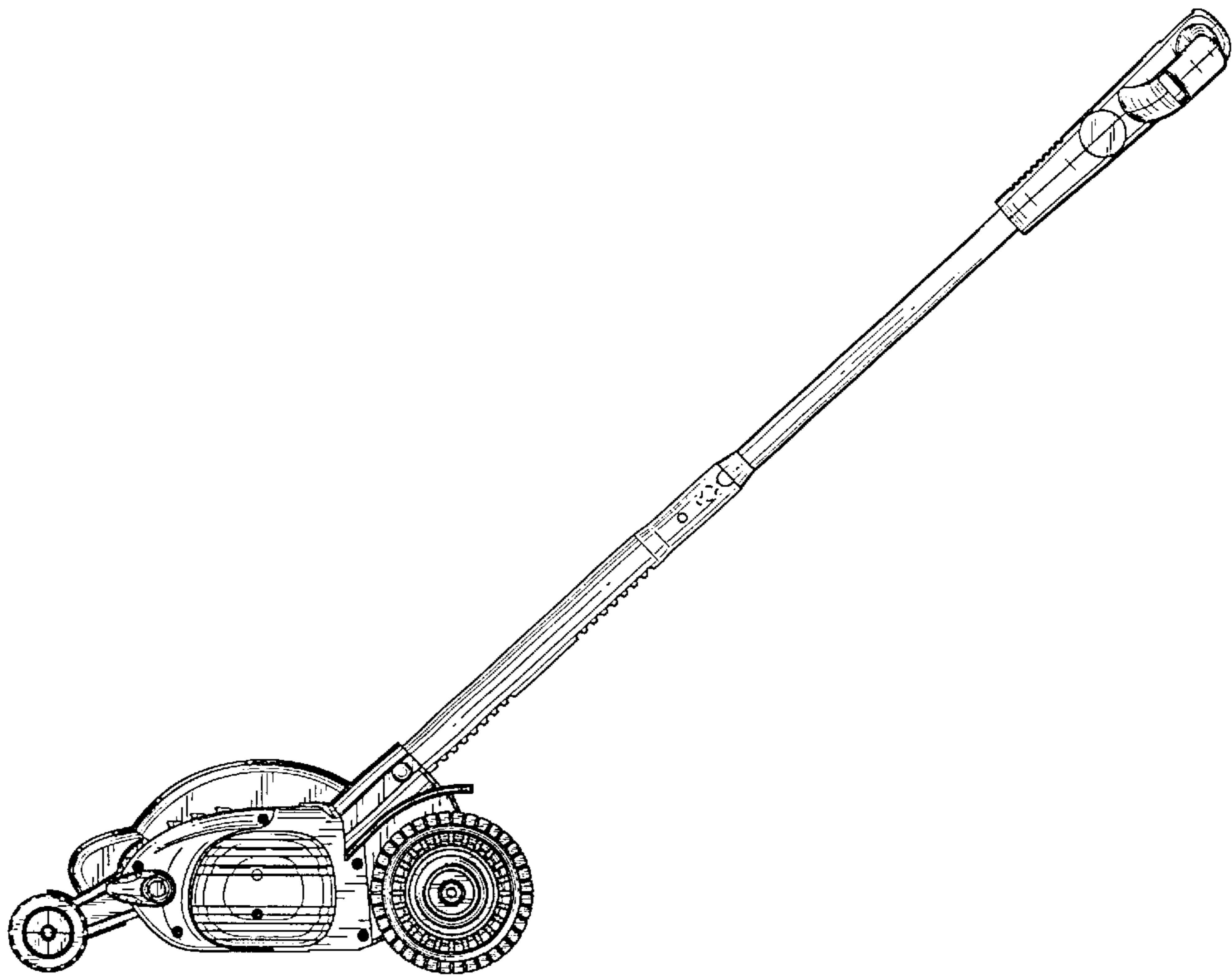


FIG. 5

FIG. 6



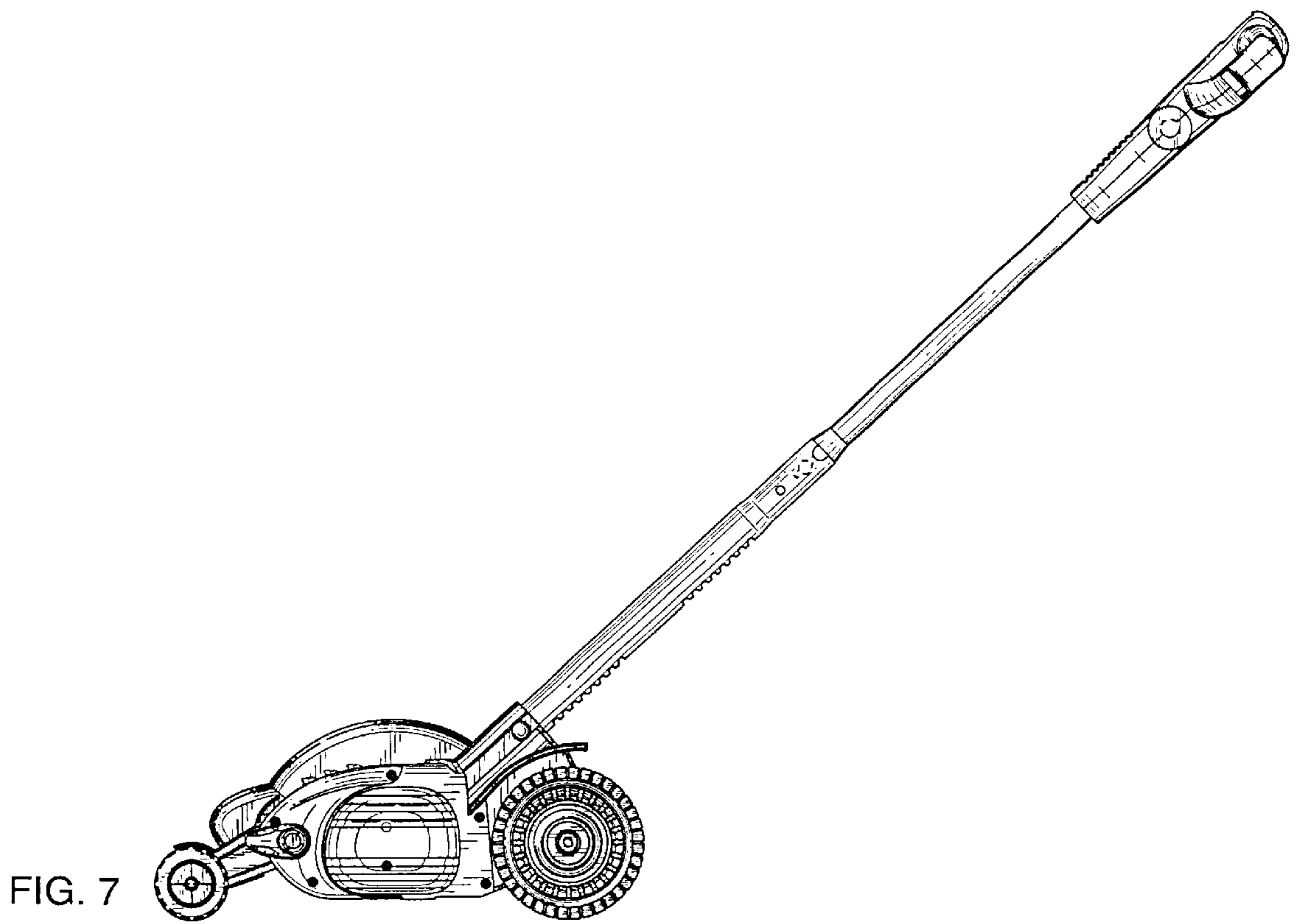


FIG. 8

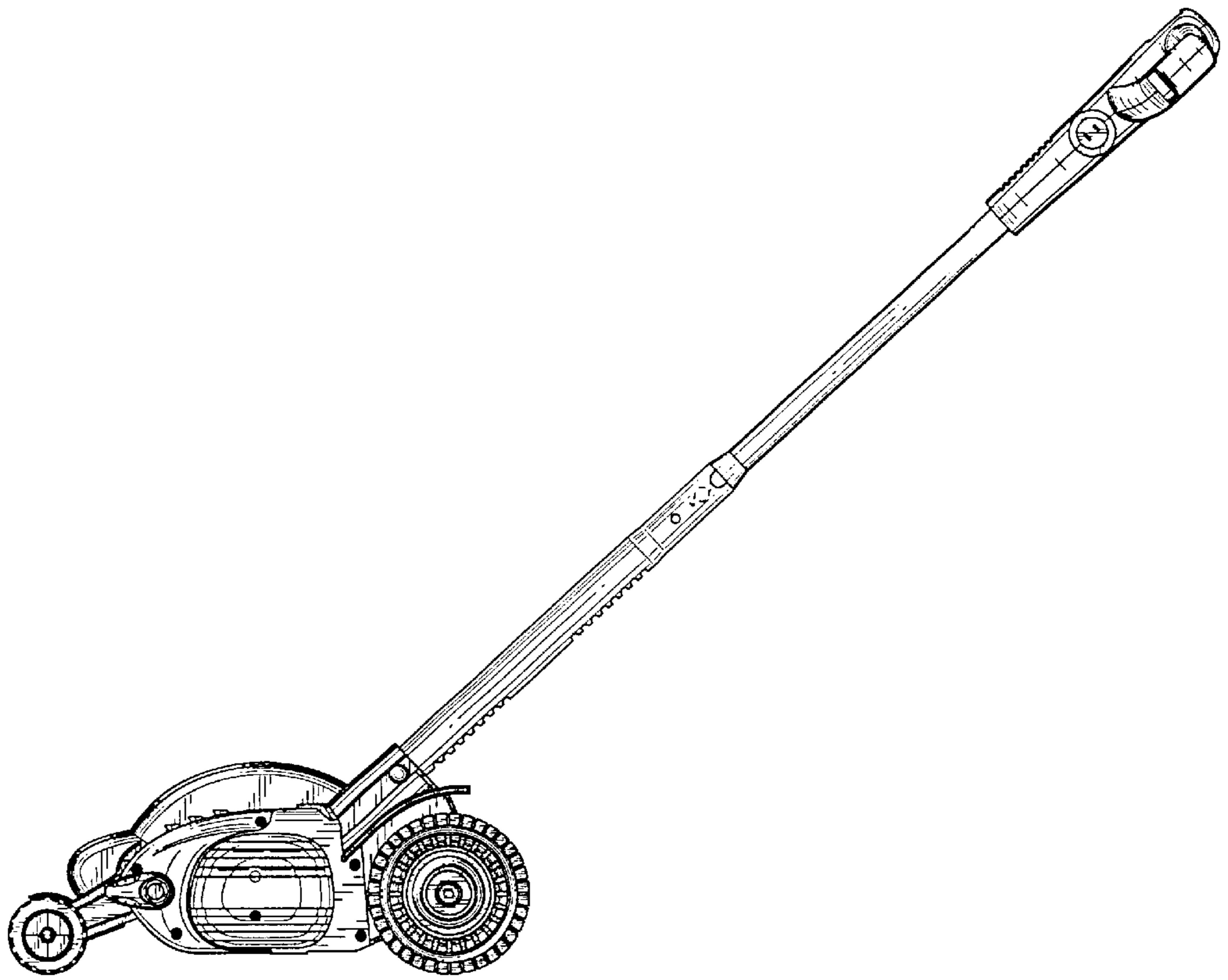
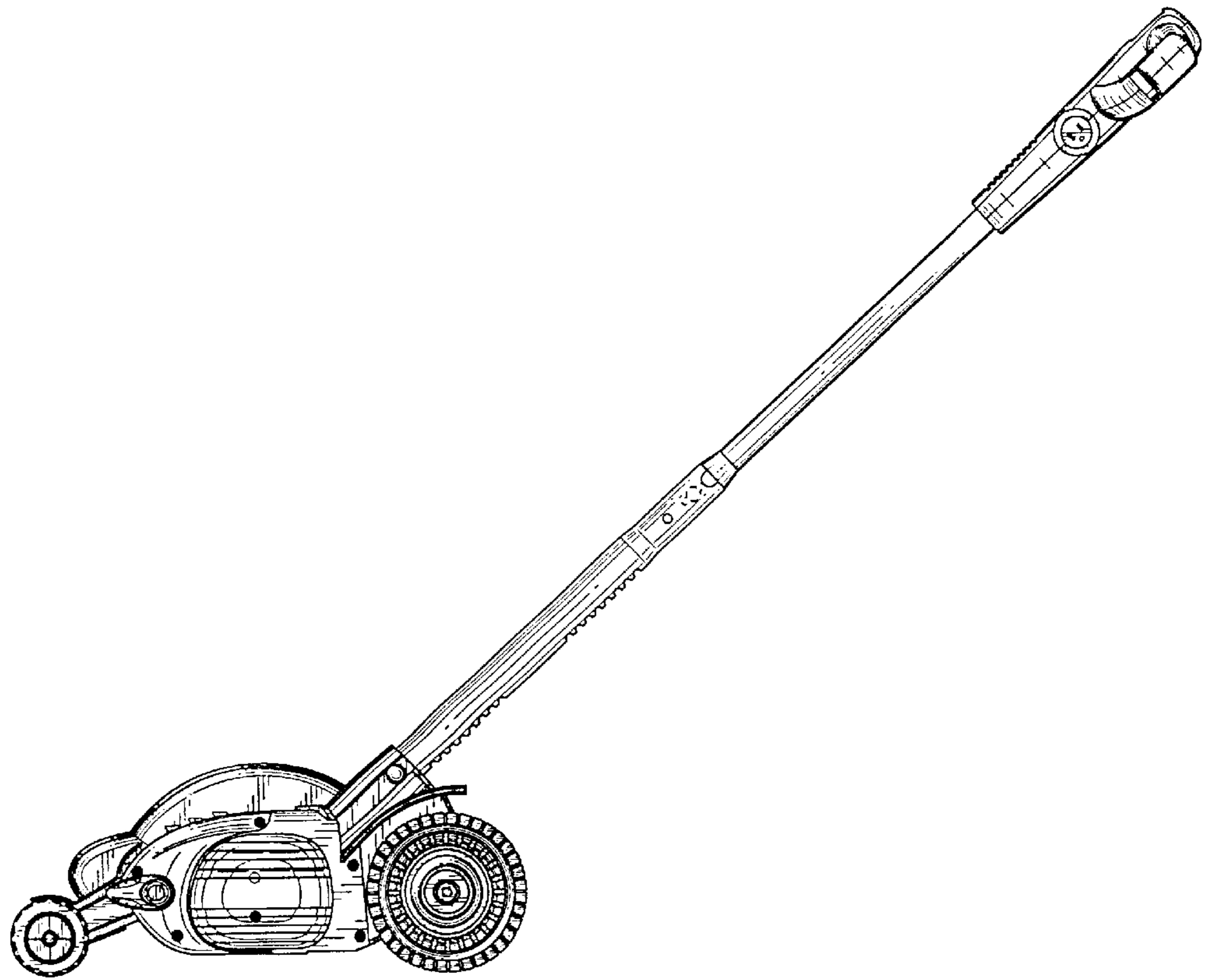
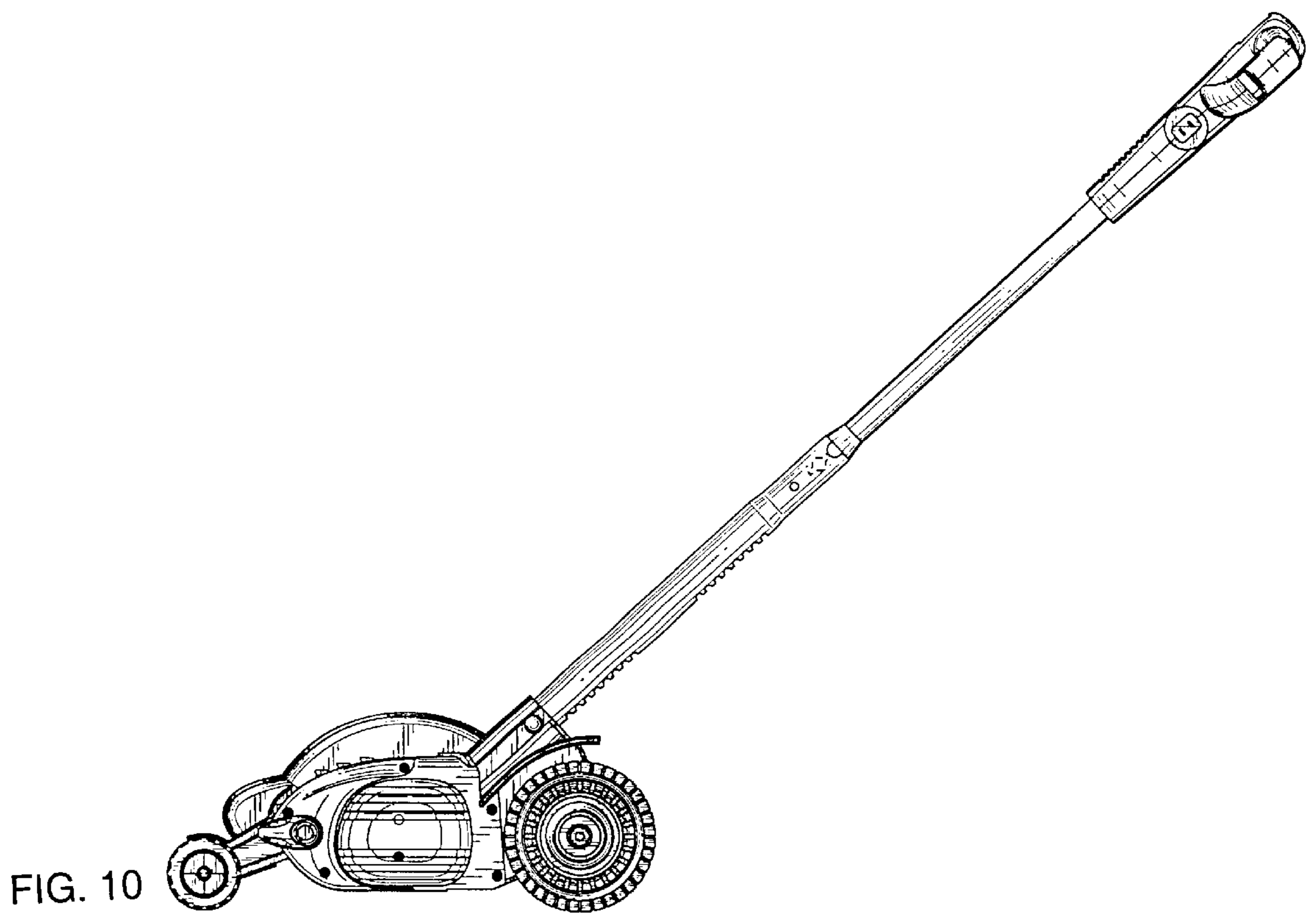
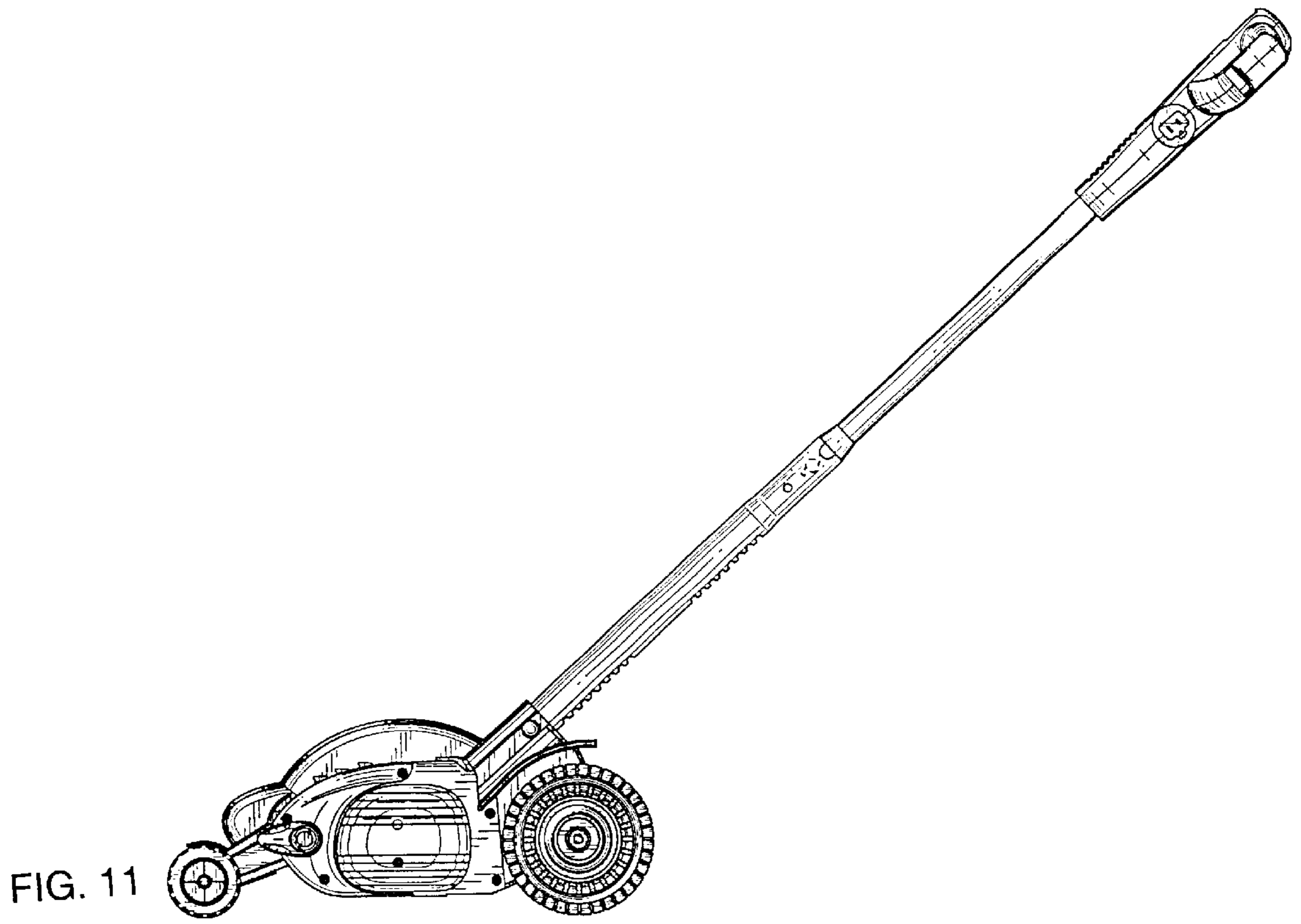


FIG. 9







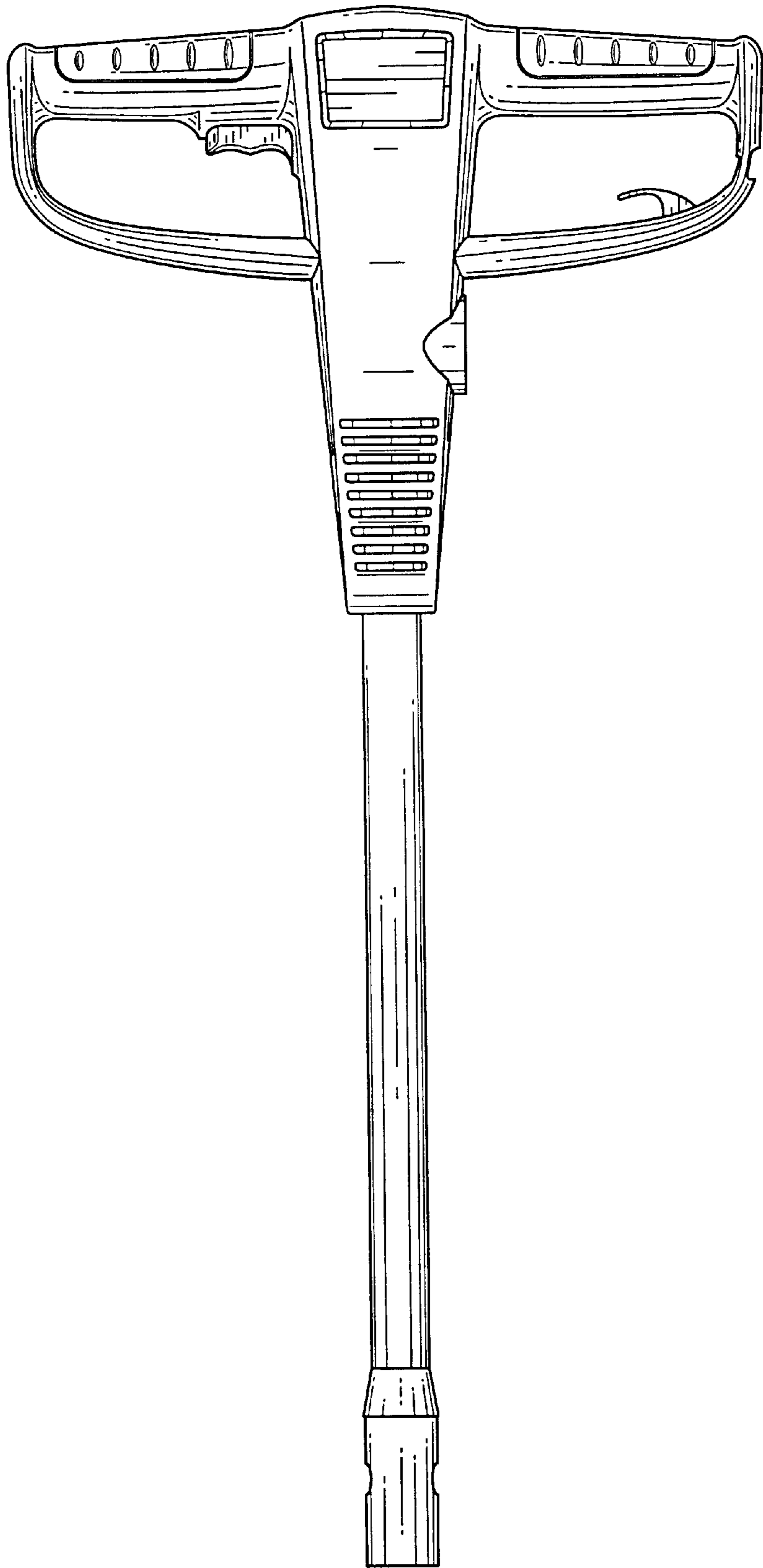


FIG. 12

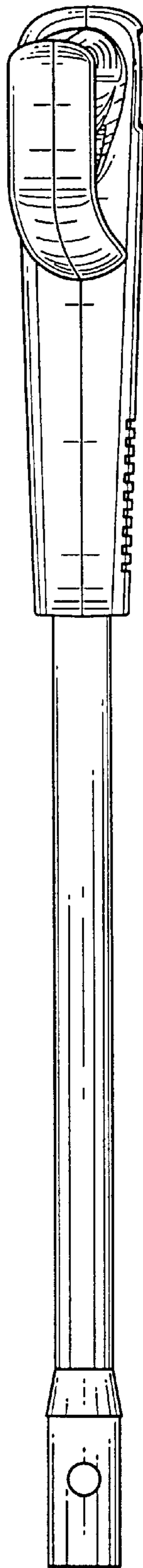


FIG. 13

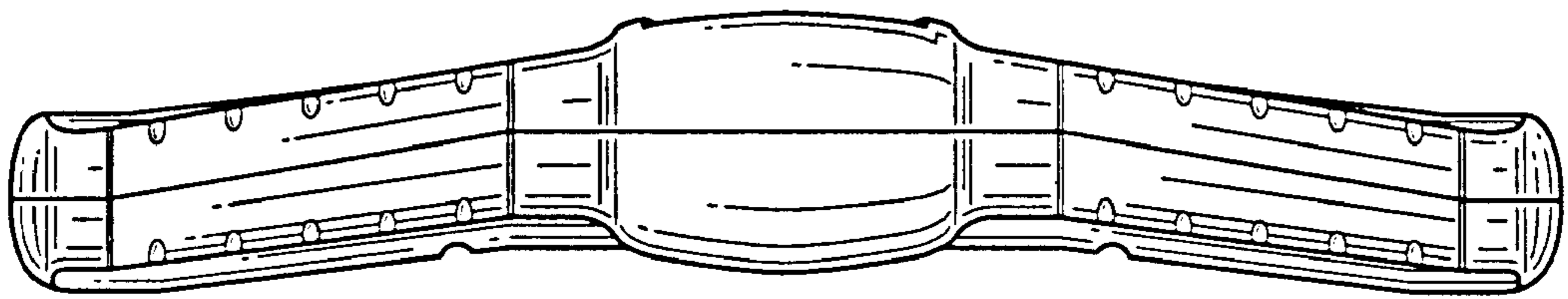


FIG. 14

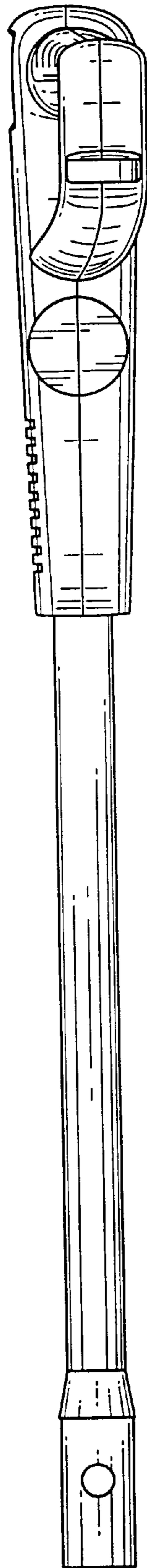


FIG. 15

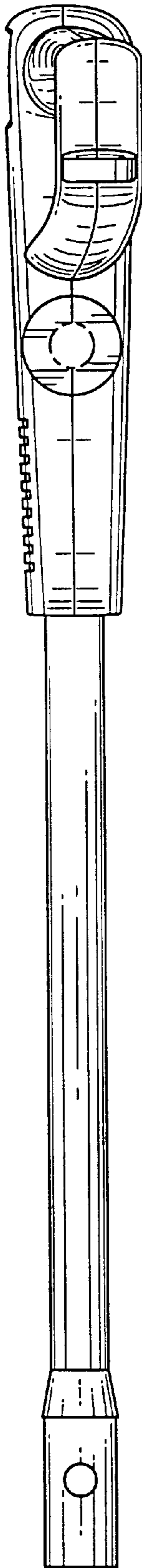


FIG. 16

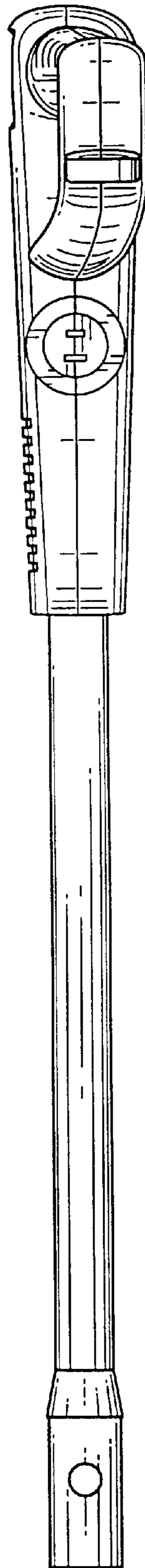


FIG. 17

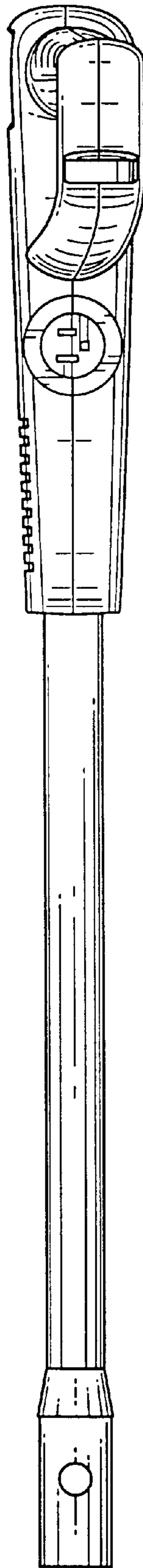


FIG. 18

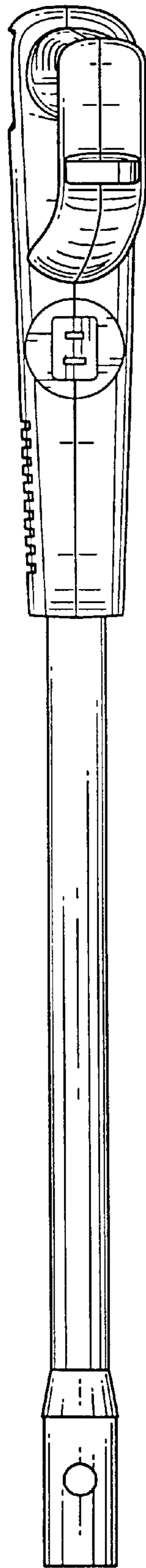


FIG. 19

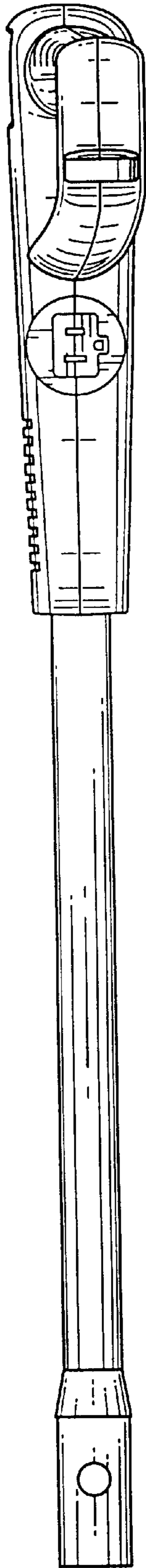


FIG. 20

UNITED STATES PATENT AND TRADEMARK OFFICE
CERTIFICATE OF CORRECTION

PATENT NO. : Des. 482,940 S
DATED : December 2, 2003
INVENTOR(S) : Damon Nawrozki

Page 1 of 1

It is certified that error appears in the above-identified patent and that said Letters Patent is hereby corrected as shown below:

Title page,

DESCRIPTION,

FIG. 16, "6B" should be -- 7 --.

FIG. 17, "6C" should be -- 8 --.

FIG. 18, "6D" should be -- 9 --.

FIG. 19, "6E" should be -- 10 --.

FIG. 20, "6F" should be -- 11 --.

Line 6, after the figure descriptions, "6F" should be -- 11 --.

Signed and Sealed this

Sixth Day of July, 2004

A handwritten signature in black ink that reads "Jon W. Dudas". The signature is written in a cursive style with a large, looped initial "J".

JON W. DUDAS

Acting Director of the United States Patent and Trademark Office