



US00D482938S

(12) **United States Design Patent**  
**Renault**

(10) **Patent No.:** **US D482,938 S**

(45) **Date of Patent:** **\*\* Dec. 2, 2003**

(54) **FOOD SERVING DEVICE**

(76) **Inventor:** **Gregory Owen Renault**, P.O. Box 832,  
La Jolla, CA (US) 92038

(\*\*) **Term:** **14 Years**

(21) **Appl. No.:** **29/176,529**

(22) **Filed:** **Feb. 21, 2003**

(51) **LOC (7) Cl.** ..... **07-06**

(52) **U.S. Cl.** ..... **D7/683**

(58) **Field of Search** ..... D7/682-697; 30/322,  
30/323, 123, 142; 99/421 H, 419, 421 A,  
441; 294/5, 1.1, 26, 50, 555, 61

(56) **References Cited**

**U.S. PATENT DOCUMENTS**

2,803,087 A \* 8/1957 Zalkind ..... D7/683

D231,890 S \* 6/1974 Kritkauský ..... D7/683

D273,360 S \* 4/1984 Hill ..... D7/683

5,193,443 A \* 3/1993 Carney ..... 99/419

\* cited by examiner

*Primary Examiner*—Terry A. Wallace

(57) **CLAIM**

The ornamental design for a food serving device, as shown and described.

**DESCRIPTION**

FIG. 1 is a isometric view of a food serving device showing my new design;

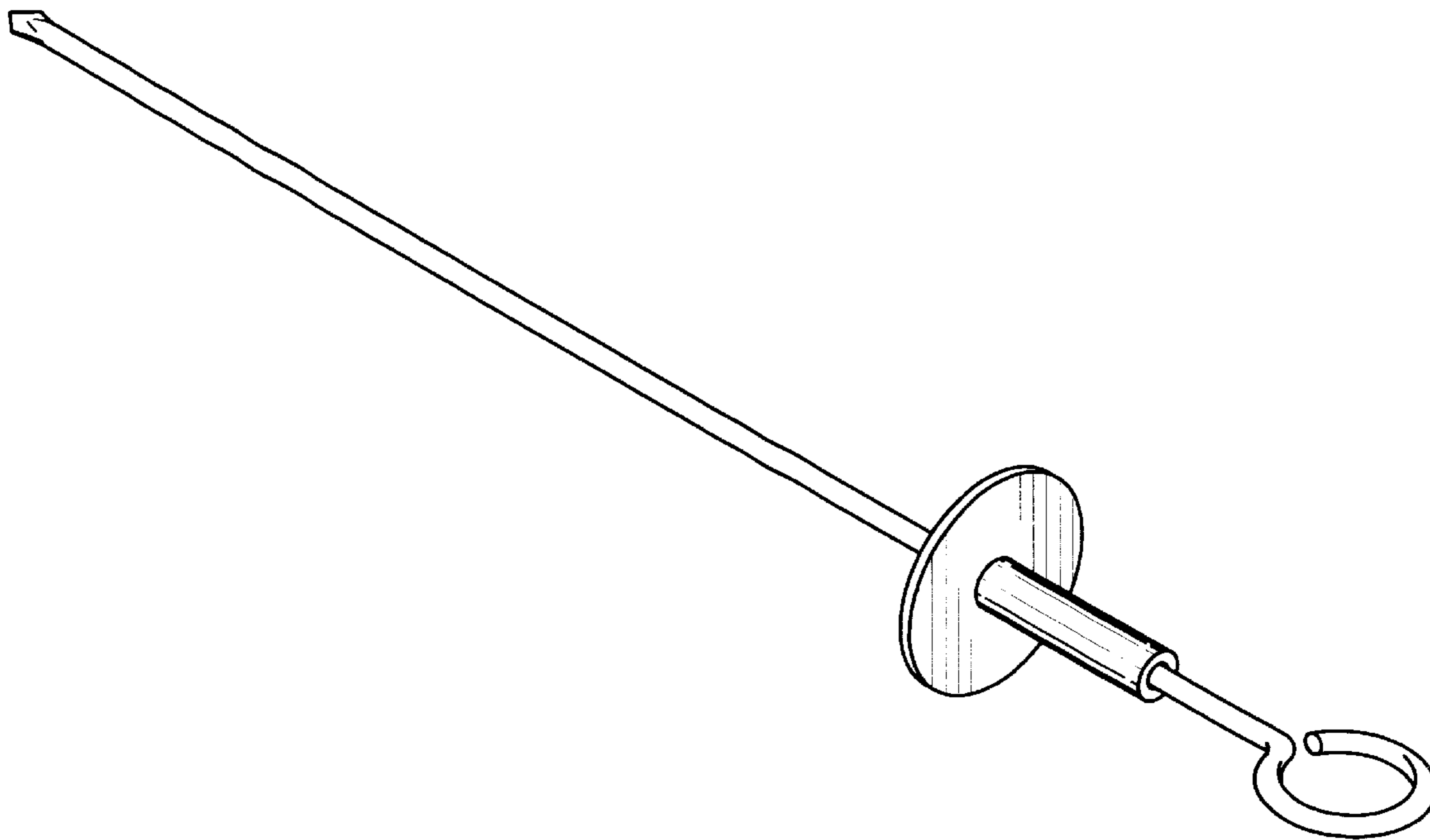
FIG. 2 is a top view thereof;

FIG. 3 is a left side view; right side mirror view thereof;

FIG. 4 is a front view thereof; and,

FIG. 5 is a rear view thereof.

**1 Claim, 1 Drawing Sheet**



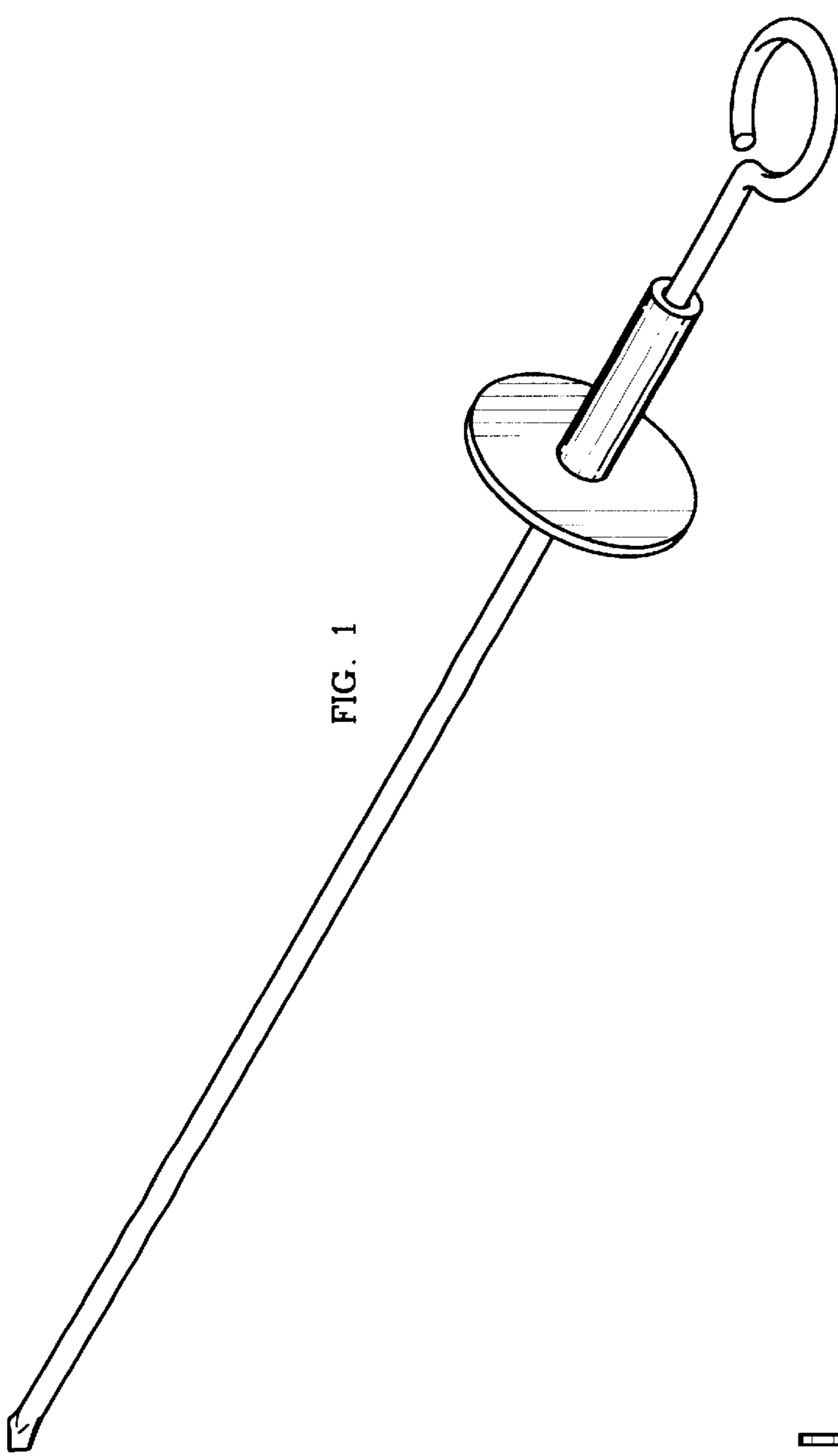


FIG. 1

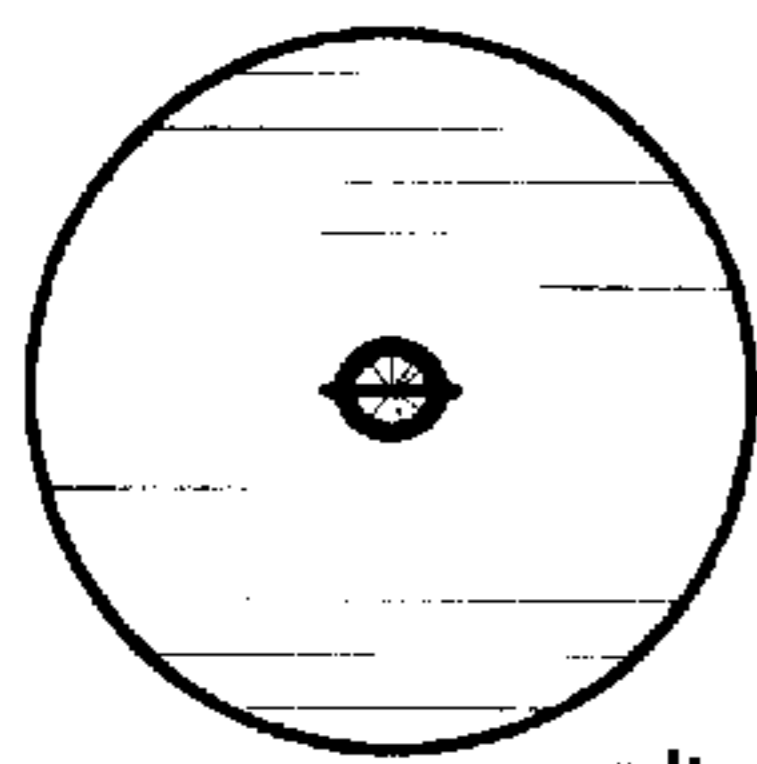


FIG. 4

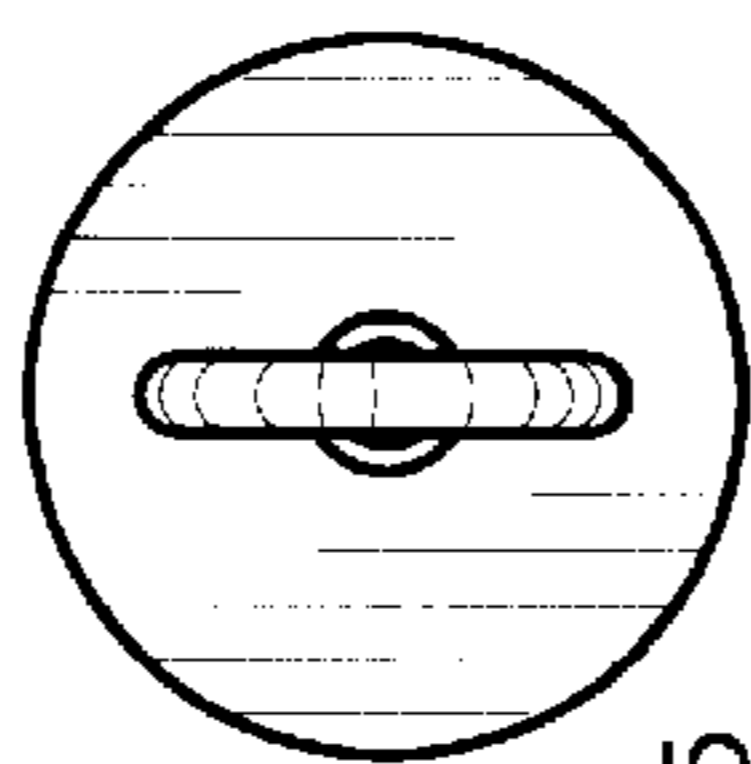


FIG. 5

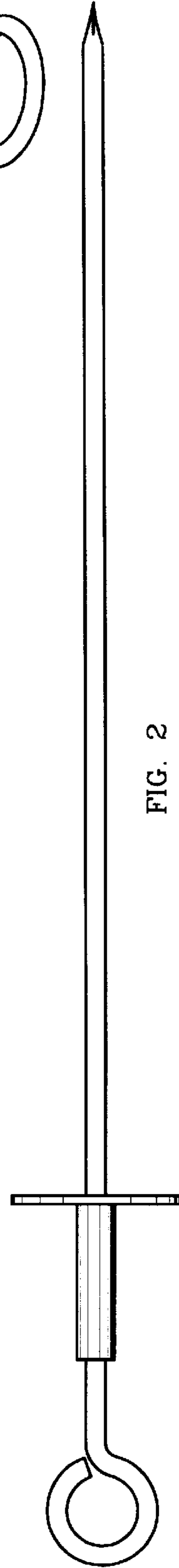


FIG. 2

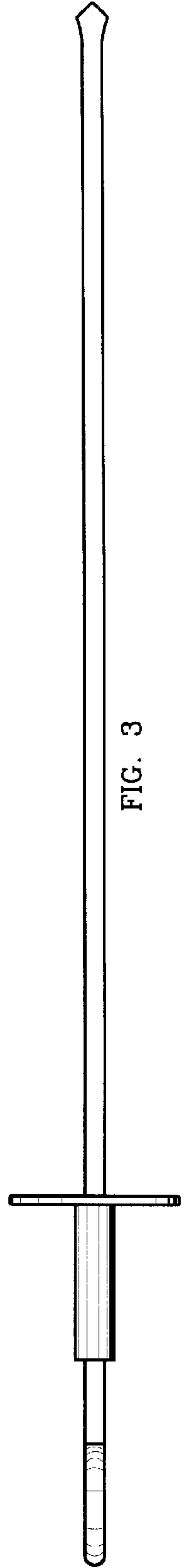


FIG. 3